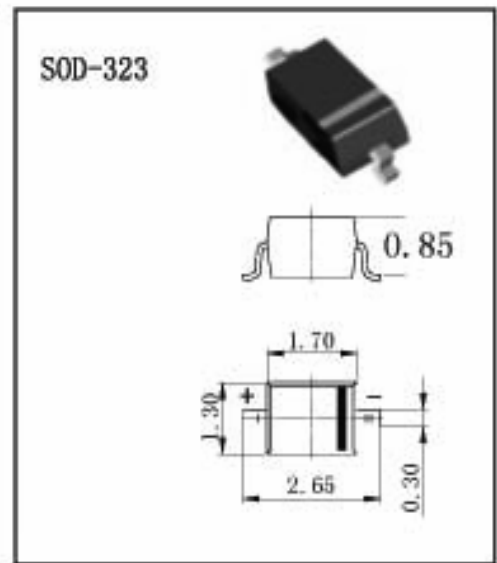


1SS357 Schottky Diodes

FEATURES

- Small Package
- Low VF, low IR

MAKING: S31



Maximum Ratings and Electrical Characteristics, Single Diode @T_A=25°C

Parameter	Symbol	Limits	Unit
Peak reverse voltage	V _{RM}	45	V
DC reverse voltage	V _R	40	V
Mean rectifying current	I _O	0.1	A
Peak forward surge current	I _{FSM}	1	A
Junction temperature	T _j	125	°C
Storage temperature	T _{stg}	-55~+125	°C

Electrical Ratings @T_A=25°C

Parameter	Symbol	Min.	Typ.	Max.	Unit	Conditions
Forward voltage	V _F		0.28 0.36	0.6	V	I _F =1mA I _F =10mA I _F =100mA
Reverse current	I _R			5	μA	V _R =40V
Capacitance between terminals	C _T			25	pF	V _R =0, f=1MHz