

TOSHIBA CMOS DIGITAL INTEGRATED CIRCUIT SILICON MONOLITHIC

TC7MH157FK

Quad 2-Channel Multiplexer

The TC7MH157 is an advanced high speed CMOS QUAD 2-CHANNEL MULTIPLEXER fabricated with silicon gate C²MOS technology.

It achieves the high speed operation similar to equivalent Bipolar Schottky TTL while maintaining the CMOS low power dissipation.

It consists of four 2-input digital multiplexers with common select and strobe inputs.

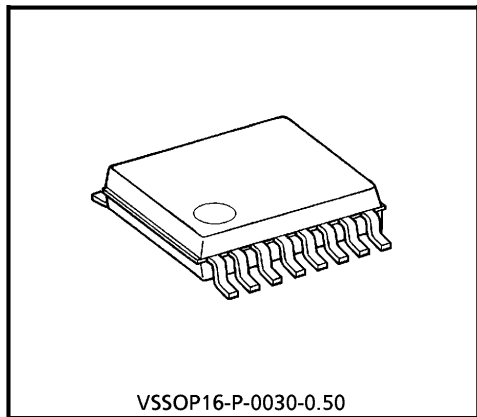
When the STROBE input is held "H" level, selection of data is inhibited and all the outputs become "L" level.

The SELECT decoding determines whether the A or B inputs get routed to their corresponding Y outputs.

An Input protection circuit ensures that 0 to 7V can be applied to the input pins without regard to the supply voltage. This device can be used to interface 5V to 3V systems and on two supply systems such as battery back up. This circuit prevents device destruction due to mismatched supply and input voltages.

Features:

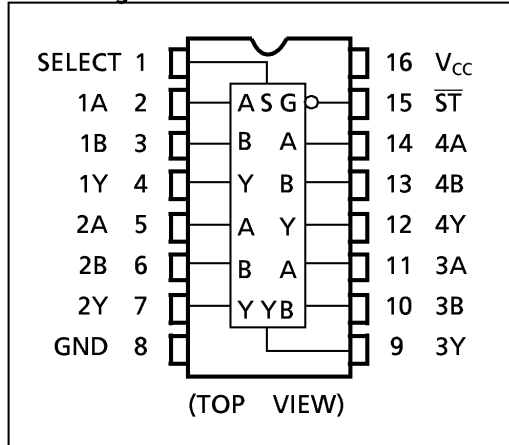
- High Speed..... $t_{pd} = 4.1 \text{ ns (typ.) at } V_{CC} = 5 \text{ V}$
- Low Power Dissipation..... $I_{CC} = 4\mu\text{A(max) at } T_a = 25^\circ\text{C}$
- High Noise Immunity..... $V_{NIH} = V_{NIL} = 28\% V_{CC} \text{ (min)}$
- Power Down Protection is provided on all inputs.
- Balanced Propagation Delays..... $t_{pLH} \approx t_{pHL}$
- Wide Operating Voltage Range..... $V_{CC} \text{ (opr)} = 2\text{V} \sim 5.5\text{V}$
- Low Noise $V_{OLP} = 0.8\text{V (max)}$



VSSOP16-P-0030-0.50

Weight: 0.02g (Typ.)

Pin Assignment

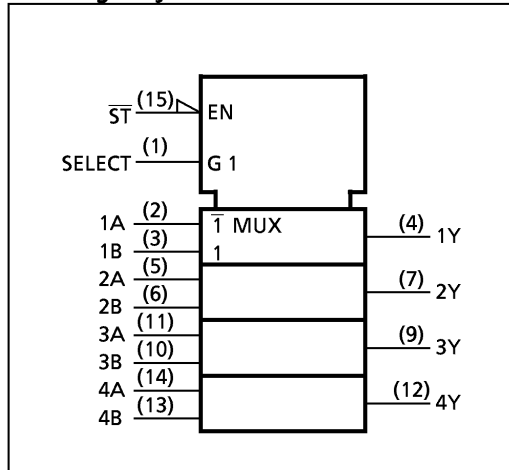


Truth Table

INPUTS				OUTPUT
ST	SELECT	A	B	
H	X	X	X	L
L	L	L	X	L
L	L	H	X	H
L	H	X	L	L
L	H	X	H	H

X: Don't Care

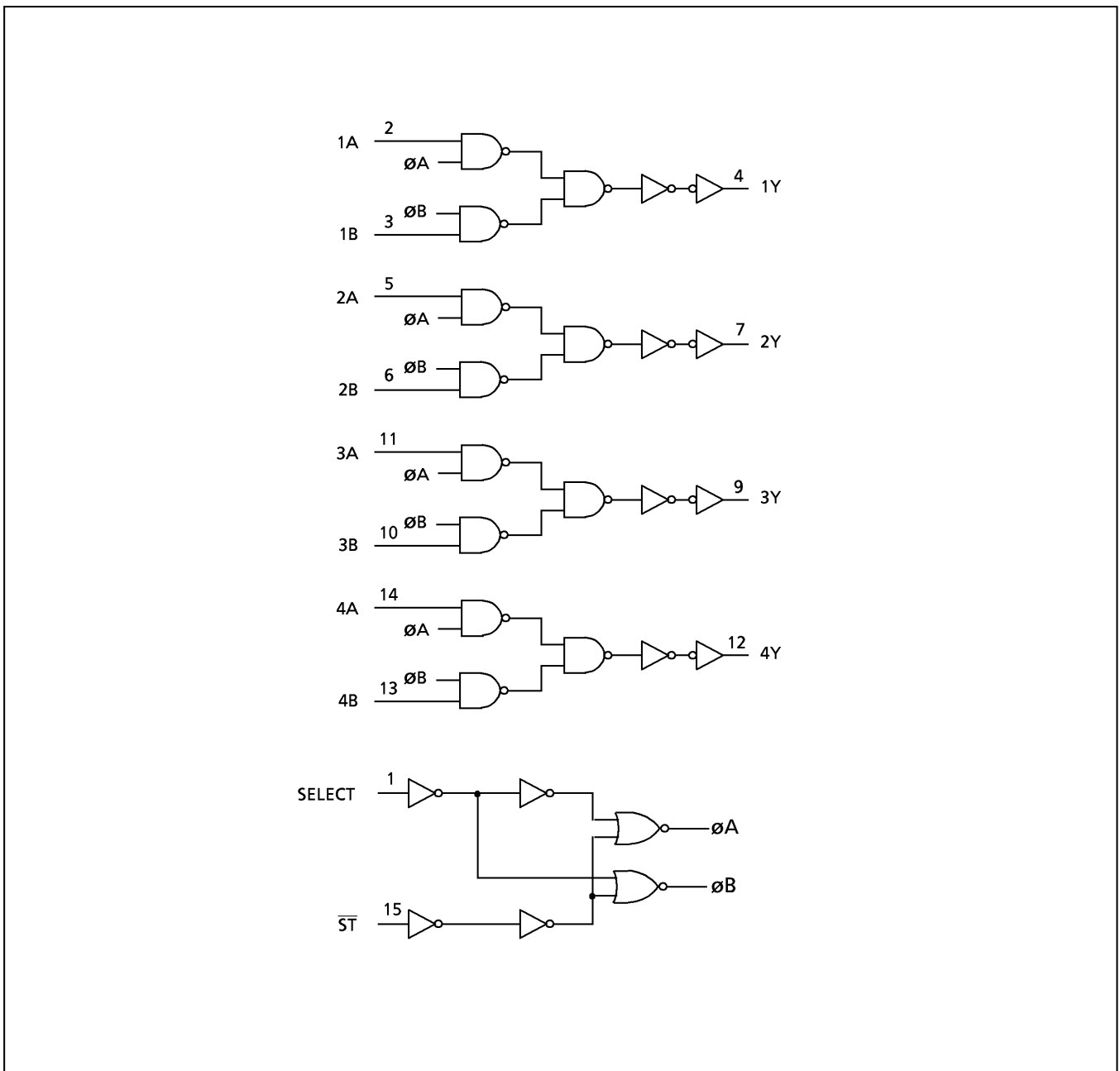
IEC Logic Symbol



980910EBA2

● TOSHIBA is continually working to improve the quality and the reliability of its products. Nevertheless, semiconductor devices in general can malfunction or fail due to their inherent electrical sensitivity and vulnerability to physical stress. It is the responsibility of the buyer, when utilizing TOSHIBA products, to observe standards of safety, and to avoid situations in which a malfunction or failure of a TOSHIBA product could cause loss of human life, bodily injury or damage to property. In developing your designs, please ensure that TOSHIBA products are used within specified operating ranges as set forth in the most recent products specifications. Also, please keep in mind the precautions and conditions set forth in the TOSHIBA Semiconductor Reliability Handbook.

System Diagram



980910EBA2'

- The products described in this document are subject to the foreign exchange and foreign trade laws.
- The information contained herein is presented only as a guide for the applications of our products. No responsibility is assumed by TOSHIBA CORPORATION for any infringements of intellectual property or other rights of the third parties which may result from its use. No license is granted by implication or otherwise under any intellectual property or other rights of TOSHIBA CORPORATION or others.
- The information contained herein is subject to change without notice.

Absolute Maximum Ratings

PARAMETER	SYMBOL	VALUE	UNIT
Supply Voltage Range	V_{CC}	-0.5~7.0	V
DC Input Voltage	V_{IN}	-0.5~7.0	V
DC Output Voltage	V_{OUT}	-0.5~ $V_{CC} + 0.5$	V
Input Diode Current	I_{IK}	-20	mA
Output Diode Current	I_{OK}	± 20	mA
DC Output Current	I_{OUT}	± 25	mA
DC V_{CC} /Ground Current	I_{CC}	± 50	mA
Power Dissipation	P_D	180	mW
Storage Temperature	T_{stg}	-65~150	°C

Recommended Operating Conditions

PARAMETER	SYMBOL	VALUE	UNIT
Supply Voltage	V_{CC}	2.0~5.5	V
Input Voltage	V_{IN}	0~5.5	V
Output Voltage	V_{OUT}	0~ V_{CC}	V
Operating Temperature	T_{opr}	-40~85	°C
Input Rise and Fall Time	dt / dv	0~100 ($V_{CC} = 3.3 \pm 0.3V$) 0~20 ($V_{CC} = 5 \pm 0.5V$)	ns / V

DC Electrical Characteristics

PARAMETER	SYMBOL	TEST CONDITION	V_{CC} (V)	$T_a = 25^\circ\text{C}$			$T_a = -40 \sim 85^\circ\text{C}$		UNIT		
				Min	Typ.	Max	Min	Max			
High - Level Input Voltage	V_{IH}		2.0 3.0~5.5	1.50 $V_{CC} \times 0.7$	— —	— —	1.50 $V_{CC} \times 0.7$	— —	V		
Low - Level Input Voltage	V_{IL}		2.0 3.0~5.5	— —	— —	0.50 $V_{CC} \times 0.3$	— —	0.50 $V_{CC} \times 0.3$	V		
High - Level Output Voltage	V_{OH}	$V_{IN} = V_{IH}$ or V_{IL}	$I_{OH} = -50\mu\text{A}$	2.0 3.0 4.5	1.9 2.9 4.4	2.0 3.0 4.5	— — —	1.9 2.9 4.4	— — —	V	
			$I_{OH} = -4\text{mA}$	3.0 4.5	2.58 3.94	— —	— —	2.48 3.80	— —		
			$I_{OH} = -8\text{mA}$	3.0 4.5	— —	— —	— —	0.36 0.36	— —		0.44 0.44
Low - Level Output Voltage	V_{OL}	$V_{IN} = V_{IH}$ or V_{IL}	$I_{OL} = 50\mu\text{A}$	2.0 3.0 4.5	— — —	0.0 0.0 0.0	0.1 0.1 0.1	— — —	0.1 0.1 0.1	V	
			$I_{OL} = 4\text{mA}$	3.0 4.5	— —	— —	— —	0.36 0.36	— —		0.44 0.44
			$I_{OL} = 8\text{mA}$	3.0 4.5	— —	— —	— —	0.36 0.36	— —		0.44 0.44
Input Leakage Current	I_{IN}	$V_{IN} = 5.5V$ or GND	0~5.5	—	—	± 0.1	—	± 1.0	μA		
Quiescent Supply Current	I_{CC}	$V_{IN} = V_{CC}$ or GND	5.5	—	—	4.0	—	40.0			

AC Electrical Characteristics (Input $t_r = t_f = 3ns$)

PARAMETER	SYMBOL	TEST CONDITION		Ta = 25°C			Ta = -40~85°C		UNIT
		V _{CC} (V)	CL (pF)	Min	Typ.	Max	Min	Max	
Propagation Delay Time (A, B - Y)	t _{pLH}	3.3 ± 0.3	15	—	6.2	9.7	1.0	11.5	ns
			50	—	8.7	13.2	1.0	15.0	
	t _{pHL}	5.0 ± 0.5	15	—	4.1	6.4	1.0	7.5	
			50	—	5.6	8.4	1.0	9.5	
Propagation Delay Time (SELECT - Y)	t _{pLH}	3.3 ± 0.3	15	—	8.4	13.2	1.0	15.5	
			50	—	10.9	16.7	1.0	19.0	
	t _{pHL}	5.0 ± 0.5	15	—	5.3	8.1	1.0	9.5	
			50	—	6.8	10.1	1.0	11.5	
Propagation Delay Time (\overline{ST} - Y)	t _{pLH}	3.3 ± 0.3	15	—	8.7	13.6	1.0	16.0	
			50	—	11.2	17.1	1.0	19.5	
	t _{pHL}	5.0 ± 0.5	15	—	5.6	8.6	1.0	10.0	
			50	—	7.1	10.6	1.0	12.0	
Input Capacitance	C _{I N}			—	4	10	—	10	pF
Power Dissipation Capacitance	C _{PD}	(Note 1)		—	20	—	—	—	

(Note 1): C_{PD} is defined as the value of the internal equivalent capacitance which is calculated from the operating current consumption without load.

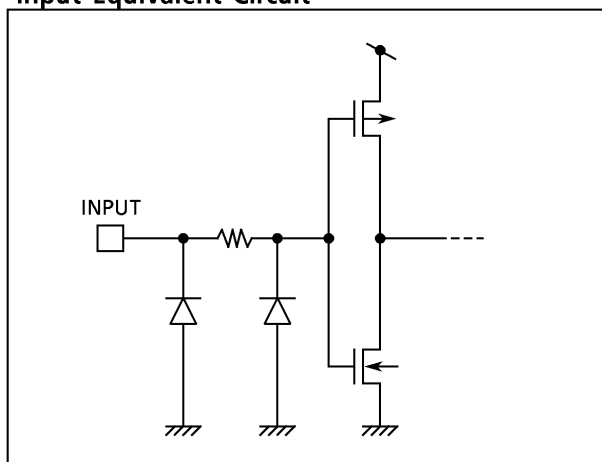
Average operating current can be obtained by the equation:

$$I_{CC(opr.)} = C_{PD} \cdot V_{CC} \cdot f_{IN} + I_{CC} / 4 \text{ (per bit)}$$

Noise Characteristics (Input $t_r = t_f = 3ns$)

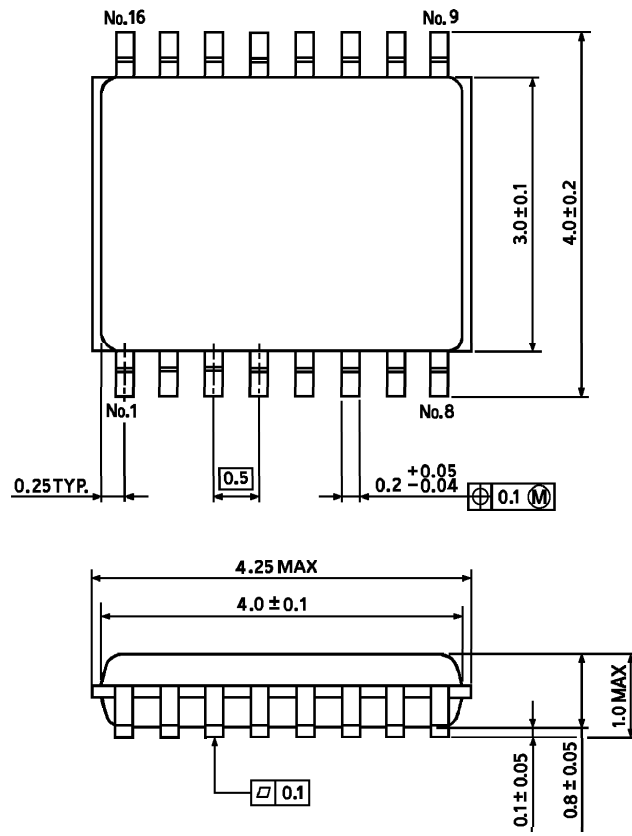
PARAMETER	SYMBOL	TEST CONDITION	Ta = 25°C			UNIT
			V _{CC} (V)	Typ.	Limit	
Quiet Output Maximum Dynamic V _{OL}	V _{OLP}	C _L = 50pF	5.0	0.3	0.8	V
Quiet Output Minimum Dynamic V _{OL}	V _{OLV}	C _L = 50pF	5.0	-0.3	-0.8	V
Minimum High Level Dynamic Input Voltage	V _{IHD}	C _L = 50pF	5.0	—	3.5	V
Maximum Low Level Dynamic Input Voltage	V _{ILD}	C _L = 50pF	5.0	—	1.5	V

Input Equivalent Circuit



Outline Drawing
VSSOP16-P-0030-0.50

Unit: mm



Weight: 0.02g (Typ.)