

TOSHIBA TRANSISTOR SILICON NPN EPITAXIAL PLANAR TYPE

2SC4322

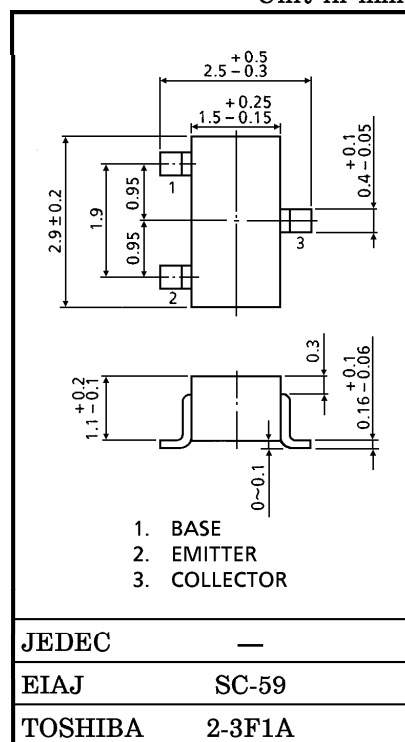
VHF~UHF BAND LOW NOISE AMPLIFIER APPLICATIONS

Unit in mm

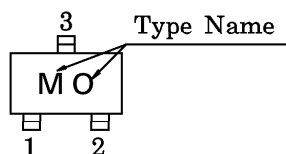
- Low Noise Figure, High Gain.
- $NF = 1.8\text{dB}$, $|S_{21e}|^2 = 7.5\text{dB}$ ($f = 2\text{GHz}$)

MAXIMUM RATINGS ($T_a = 25^\circ\text{C}$)

CHARACTERISTIC	SYMBOL	RATING	UNIT
Collector-Base Voltage	V_{CBO}	20	V
Collector-Emitter Voltage	V_{CEO}	10	V
Emitter-Base Voltage	V_{EBO}	1.5	V
Base Current	I_B	7	mA
Collector Current	I_C	15	mA
Collector Power Dissipation	P_C	150	mW
Junction Temperature	T_j	125	$^\circ\text{C}$
Storage Temperature Range	T_{stg}	-55~125	$^\circ\text{C}$



Marking



JEDEC	—
EIAJ	SC-59
TOSHIBA	2-3F1A

Weight : 0.012g

MICROWAVE CHARACTERISTICS ($T_a = 25^\circ\text{C}$)

CHARACTERISTIC	SYMBOL	TEST CONDITION	MIN.	TYP.	MAX.	UNIT
Transition Frequency	f_T	$V_{CE} = 6\text{V}$, $I_C = 7\text{mA}$	7	10	—	GHz
Insertion Gain	$ S_{21e} ^2$ (1)	$V_{CE} = 6\text{V}$, $I_C = 7\text{mA}$, $f = 1\text{GHz}$	—	13	—	dB
	$ S_{21e} ^2$ (2)	$V_{CE} = 6\text{V}$, $I_C = 7\text{mA}$, $f = 2\text{GHz}$	4.5	7.5	—	
Noise Figure	NF (1)	$V_{CE} = 6\text{V}$, $I_C = 3\text{mA}$, $f = 1\text{GHz}$	—	1.4	—	dB
	NF (2)	$V_{CE} = 6\text{V}$, $I_C = 3\text{mA}$, $f = 2\text{GHz}$	—	1.8	3.0	

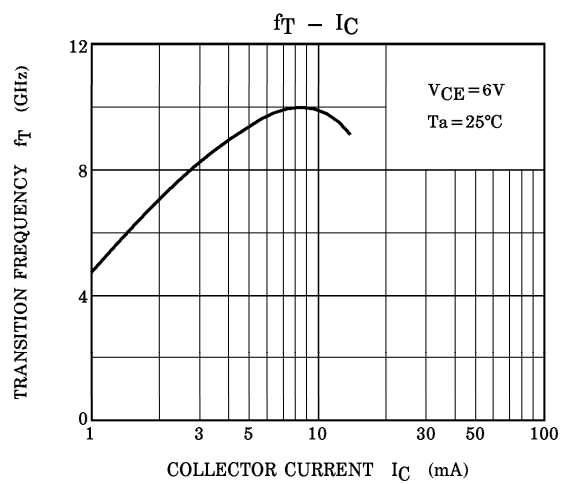
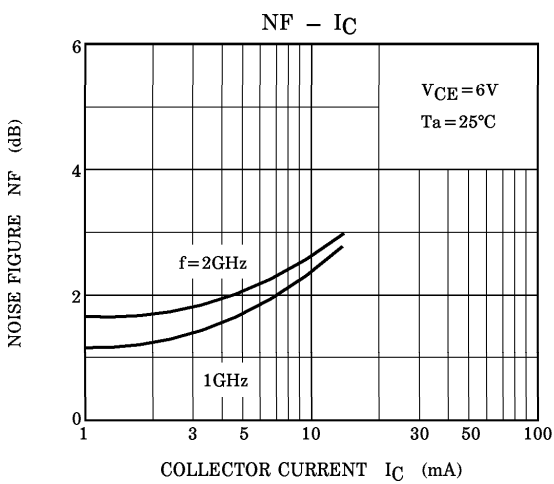
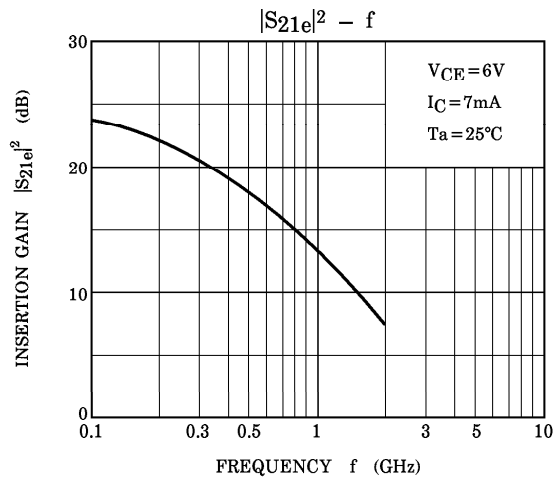
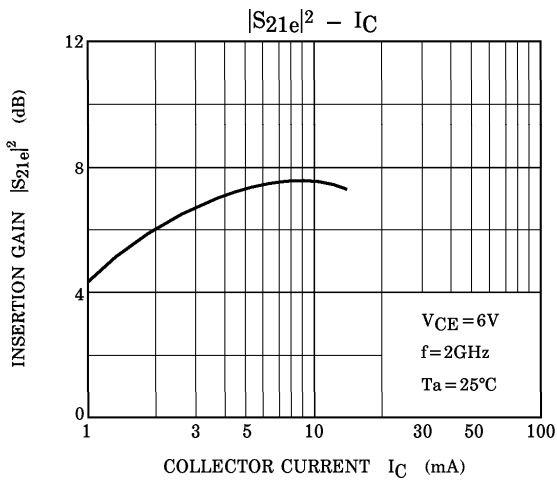
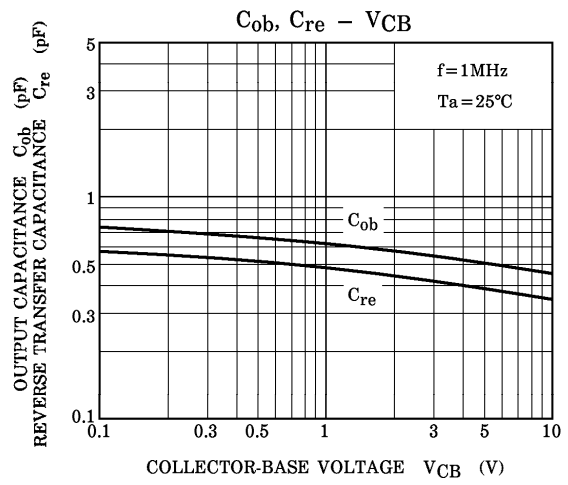
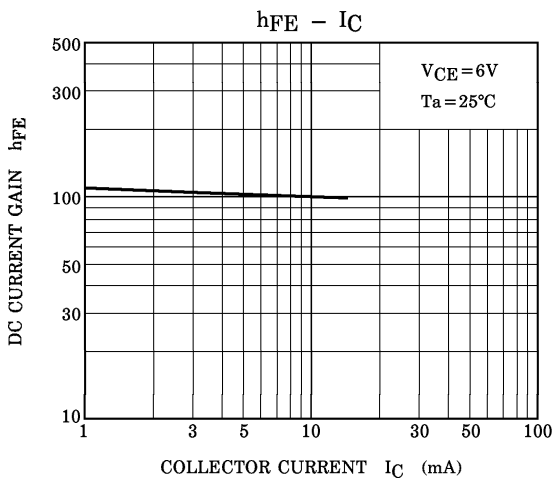
ELECTRICAL CHARACTERISTICS ($T_a = 25^\circ\text{C}$)

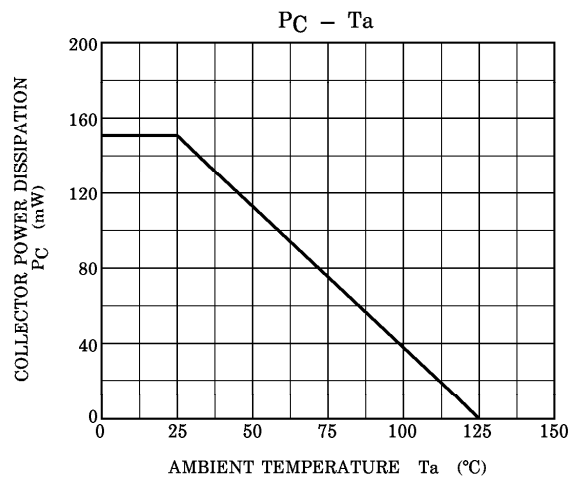
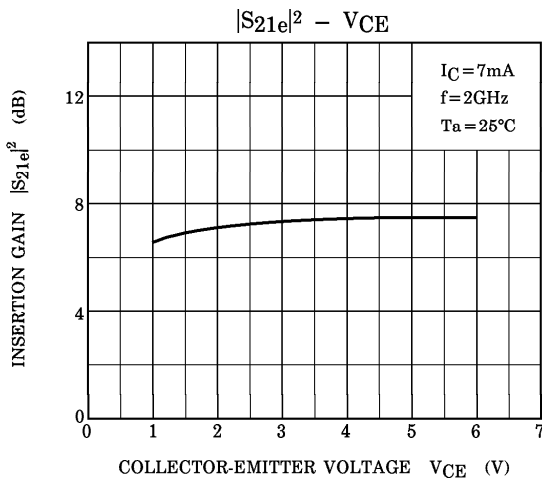
CHARACTERISTIC	SYMBOL	TEST CONDITION	MIN.	TYP.	MAX.	UNIT
Collector Cut-off Current	I_{CBO}	$V_{CB} = 10\text{V}$, $I_E = 0$	—	—	1	μA
Emitter Cut-off Current	I_{EBO}	$V_{EB} = 1\text{V}$, $I_C = 0$	—	—	1	μA
DC Current Gain	h_{FE}	$V_{CE} = 6\text{V}$, $I_C = 7\text{mA}$	50	—	250	—
Output Capacitance	C_{ob}	$V_{CB} = 10\text{V}$, $I_E = 0$, $f = 1\text{MHz}$	—	0.45	—	pF
Reverse Transfer Capacitance	C_{re}	(Note)	—	0.35	0.8	pF

(Note) C_{re} is measured by 3 terminal method with Capacitance Bridge.

961001EAA2

- TOSHIBA is continually working to improve the quality and the reliability of its products. Nevertheless, semiconductor devices in general can malfunction or fail due to their inherent electrical sensitivity and vulnerability to physical stress. It is the responsibility of the buyer, when utilizing TOSHIBA products, to observe standards of safety, and to avoid situations in which a malfunction or failure of a TOSHIBA product could cause loss of human life, bodily injury or damage to property. In developing your designs, please ensure that TOSHIBA products are used within specified operating ranges as set forth in the most recent products specifications. Also, please keep in mind the precautions and conditions set forth in the TOSHIBA Semiconductor Reliability Handbook.
- The information contained herein is presented only as a guide for the applications of our products. No responsibility is assumed by TOSHIBA CORPORATION for any infringements of intellectual property or other rights of the third parties which may result from its use. No license is granted by implication or otherwise under any intellectual property or other rights of TOSHIBA CORPORATION or others.
- The information contained herein is subject to change without notice.





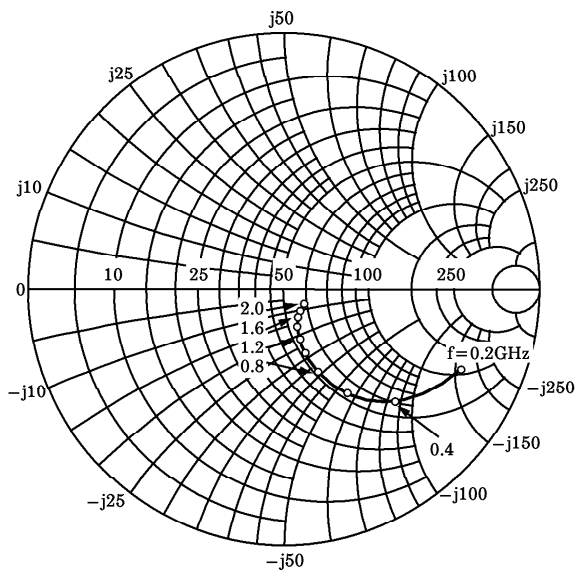
S-PARAMETER Z_O = 50Ω, Ta = 25°C
V_{CE} = 6V, I_C = 3mA

FREQUENCY MHz	S11		S21		S12		S22	
	MAG	ANG	MAG	ANG	MAG	ANG	MAG	ANG
200	0.764	-25.0	7.758	153.8	0.037	76.2	0.934	-16.4
400	0.613	-44.9	6.493	132.9	0.065	67.0	0.808	-27.7
600	0.473	-57.9	5.331	117.9	0.085	62.8	0.702	-34.3
800	0.356	-66.9	4.433	106.2	0.102	61.2	0.623	-38.0
1000	0.261	-70.4	3.738	97.7	0.117	60.4	0.575	-40.6
1200	0.198	-71.7	3.266	90.1	0.132	60.2	0.544	-42.4
1400	0.147	-66.3	2.853	83.0	0.147	60.1	0.529	-44.1
1600	0.129	-54.9	2.555	78.2	0.163	60.3	0.519	-46.4
1800	0.114	-41.8	2.348	72.8	0.179	60.0	0.514	-49.0
2000	0.124	-34.5	2.108	69.2	0.192	60.1	0.513	-52.4

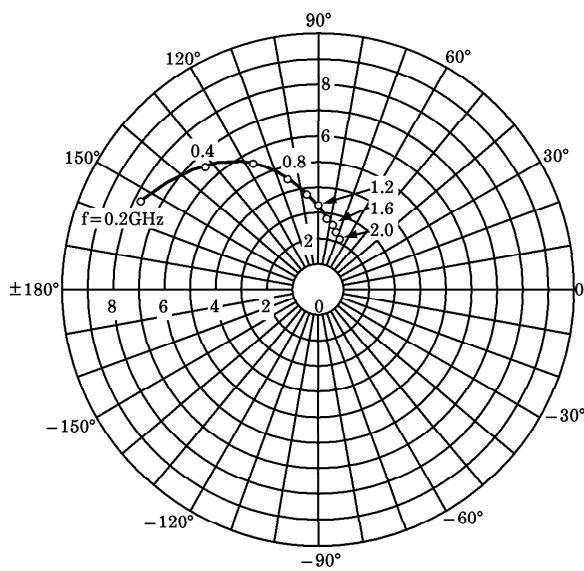
V_{CE} = 6V, I_C = 7mA

FREQUENCY MHz	S11		S21		S12		S22	
	MAG	ANG	MAG	ANG	MAG	ANG	MAG	ANG
200	0.560	-35.3	12.525	142.0	0.032	74.2	0.853	-21.5
400	0.367	-54.1	8.958	118.8	0.055	69.5	0.678	-30.1
600	0.248	-63.4	6.693	105.3	0.073	68.4	0.581	-32.7
800	0.158	-62.4	5.270	95.5	0.091	68.6	0.530	-33.6
1000	0.101	-47.8	4.319	88.5	0.110	68.4	0.506	-34.7
1200	0.088	-27.3	3.687	82.1	0.128	67.9	0.493	-36.0
1400	0.099	-4.3	3.188	76.2	0.146	67.0	0.491	-37.8
1600	0.131	-0.7	2.813	71.9	0.165	66.2	0.492	-40.5
1800	0.152	0.4	2.563	67.4	0.183	65.2	0.498	-43.7
2000	0.167	-1.7	2.276	64.5	0.198	64.5	0.500	-47.5

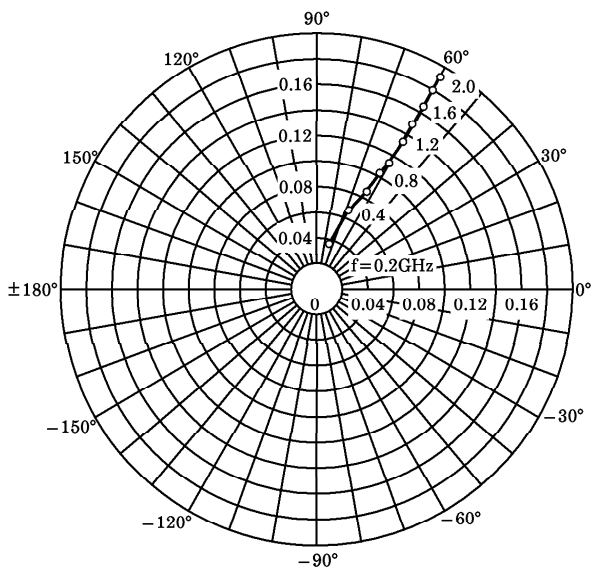
S_{11e}
 V_{CE}=6V
 I_C=3mA
 T_a=25°C
 (UNIT : Ω)



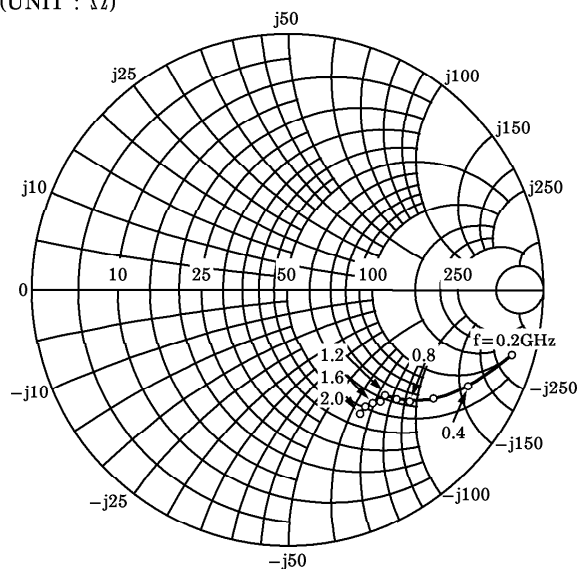
S_{21e}
 V_{CE}=6V
 I_C=3mA
 T_a=25°C



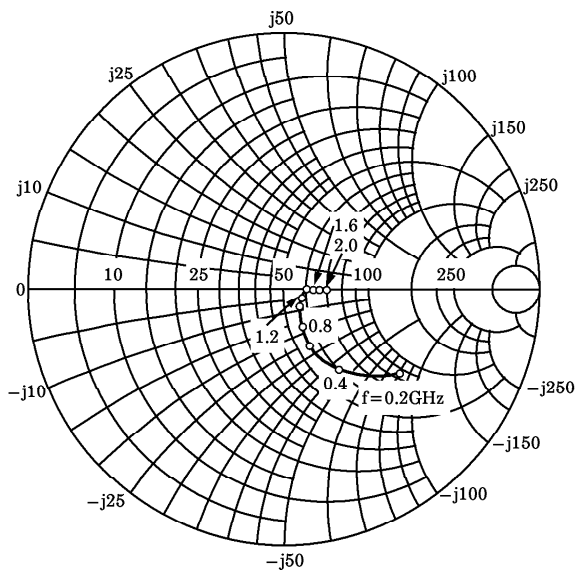
S_{12e}
 V_{CE}=6V
 I_C=3mA
 T_a=25°C



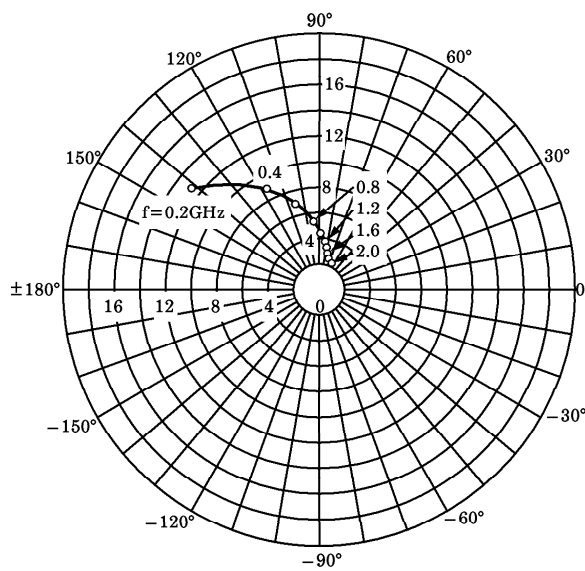
S_{22e}
 V_{CE}=6V
 I_C=3mA
 T_a=25°C
 (UNIT : Ω)



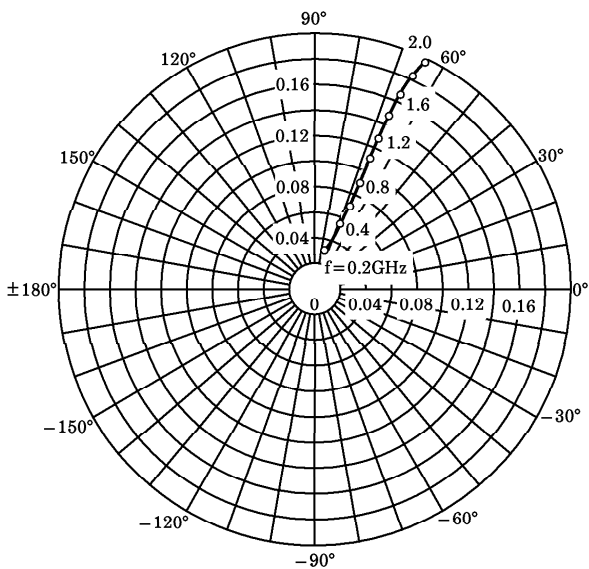
S_{11e}
 $V_{CE}=6V$
 $I_C=7mA$
 $T_a=25^\circ C$
 (UNIT : Ω)



S_{21e}
 $V_{CE}=6V$
 $I_C=7mA$
 $T_a=25^\circ C$



S_{12e}
 $V_{CE}=6V$
 $I_C=7mA$
 $T_a=25^\circ C$



S_{22e}
 $V_{CE}=6V$
 $I_C=7mA$
 $T_a=25^\circ C$
 (UNIT : Ω)

