



# Resonant Fluorescent Lamp Driver

## FEATURES

- 1 $\mu$ A ICC when Disabled
- PWM Control for LCD Supply
- Zero Voltage Switched (ZVS) on Push-Pull Drivers
- Open Lamp Detect Circuitry
- 4.5V to 20V Operation
- Non-saturating Transformer Topology
- Smooth 100% Duty Cycle on Buck PWM and 0% to 95% on Flyback PWM

## DESCRIPTION

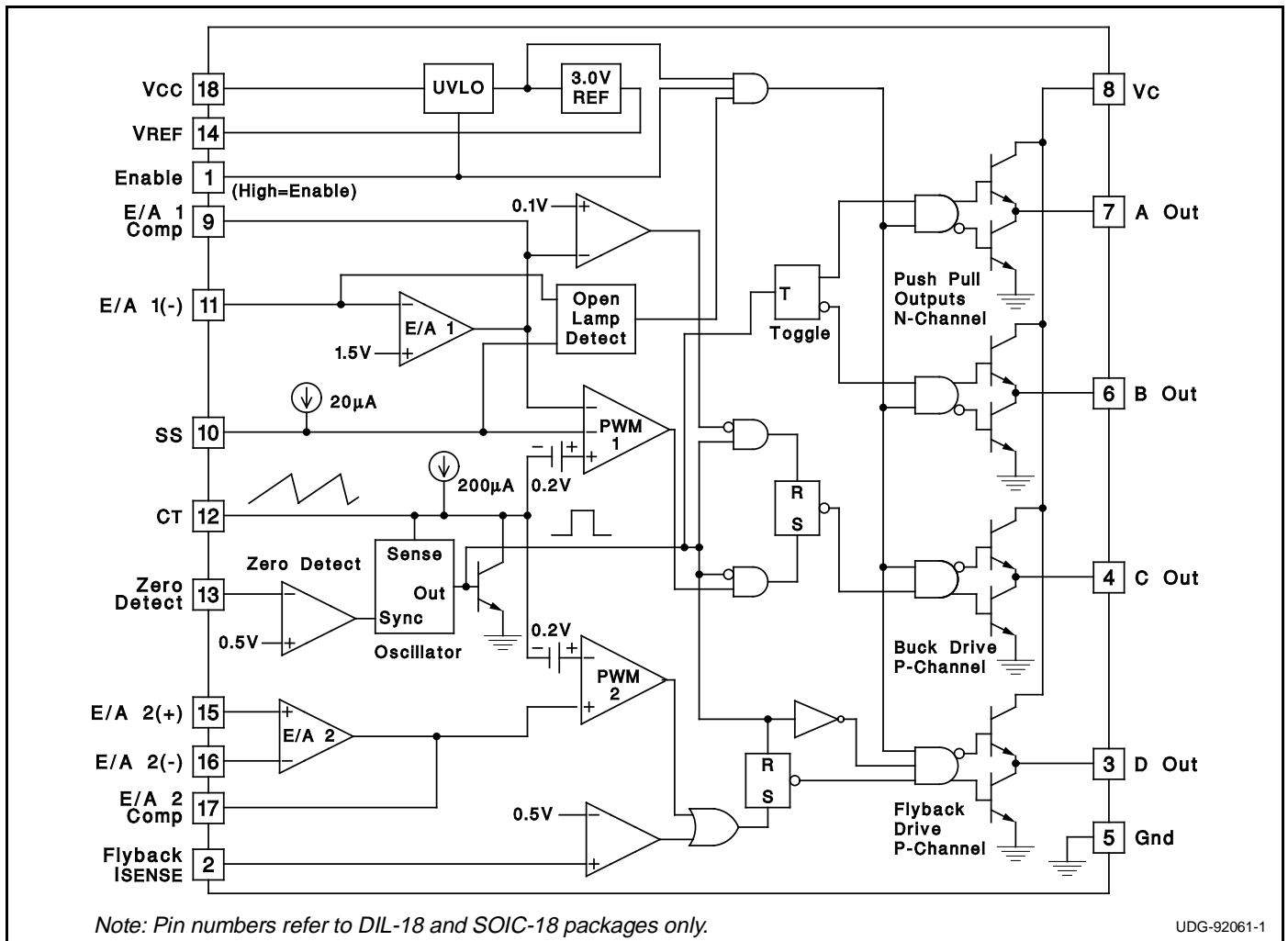
The UC1871 Family of IC's is optimized for highly efficient fluorescent lamp control. An additional PWM controller is integrated on the IC for applications requiring an additional supply, as in LCD displays. When disabled the IC draws only 1 $\mu$ A, providing a true disconnect feature, which is optimum for battery powered systems. The switching frequency of all outputs are synchronized to the resonant frequency of the external passive network, which provides Zero Voltage Switching on the Push-Pull drivers.

Soft-Start and open lamp detect circuitry have been incorporated to minimize component stress. An open lamp is detected on the completion of a soft-start cycle.

The Buck controller is optimized for smooth duty cycle control to 100%, while the flyback control ensures a maximum duty cycle of 95%.

Other features include a precision 1% reference, under voltage lockout, flyback current limit, and accurate minimum and maximum frequency control.

## BLOCK DIAGRAM



UDG-92061-1

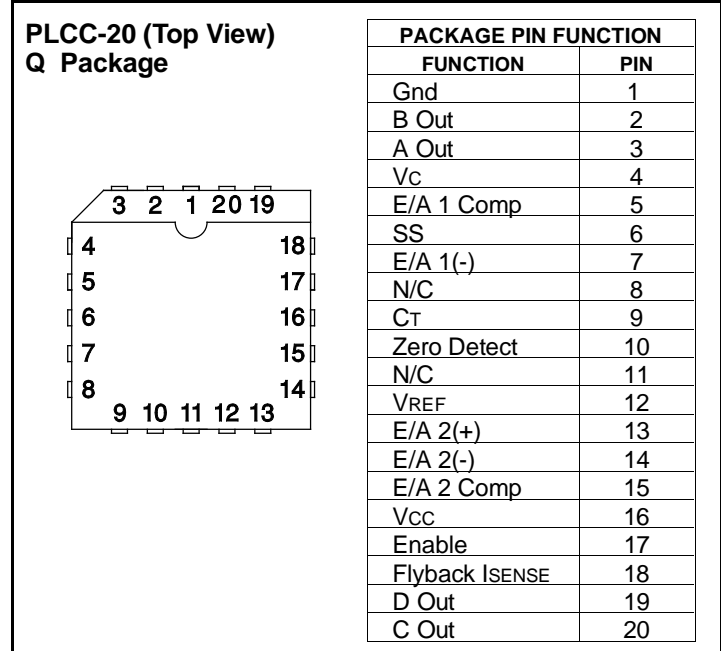
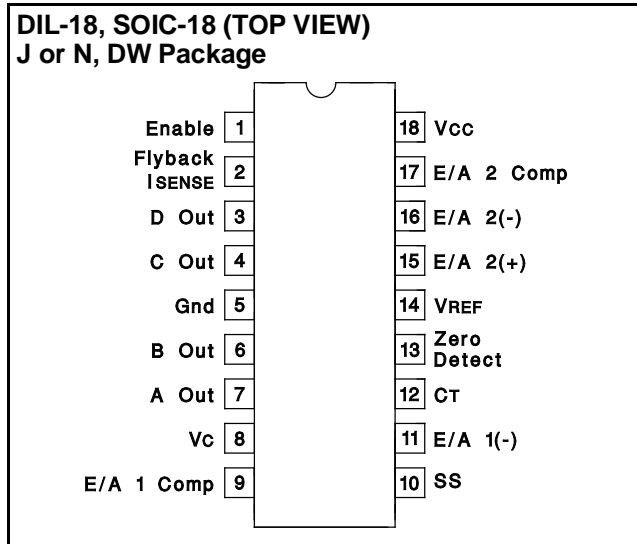
**ABSOLUTE MAXIMUM RATINGS**

Analog Inputs .....	-0.3 to +10V
Vcc, Vc Voltage .....	+20V
Zero Detect Input Current	
High Impedance Source .....	+10mA
Zero Detect	
Low Impedance Source .....	+20V
Power Dissipation at TA = 25°C .....	1W
Storage Temperature .....	-65°C to +150°C
Lead Temperature .....	300°C

Note 1: Currents are positive into, negative out of the specified terminal.

Note 2: Consult Packaging Section of Databook for thermal limitations and considerations of package.

**CONNECTION DIAGRAMS**



**ELECTRICAL CHARACTERISTICS** Unless otherwise stated, these parameters apply for TA = -55°C to +125°C for the UC1871; -25°C to +85°C for the UC2871; 0°C to +70°C for the UC3871; Vcc = 5V, Vc = 15V, VENABLE = 5V, CT = 1nF, Zero Det = 1V.

PARAMETER	TEST CONDITIONS	MIN	TYP	MAX	UNITS
<b>Reference Section</b>					
Output Voltage	TJ=25°C	2.963	3.000	3.037	V
	Overtemp	2.940	3.000	3.060	V
Line Regulation	VCC = 4.75V to 18V			10	mV
Load Regulation	Io=0 to -5mA			10	mV
<b>Oscillator Section</b>					
Free Running Freq	TJ=25°C	57	68	78	kHz
Max Sync Frequency	TJ=25°C	160	200	240	kHz
Charge Current	VCT = 1.5V	180	200	220	µA
Voltage Stability				2	%
Temperature Stability			4	8	%
Zero Detect Threshold		0.46	0.5	0.56	V
<b>Error Amp 1 Section</b>					
Input Voltage	Vo = 2V	1.445	1.475	1.505	V
Input Bias Current			-0.4	-2	µA
Open Loop Gain	Vo = 0.5 to 3V	65	90		dB
Output High	VEA(-) = 1.3V	3.1	3.5	3.9	V
Output Low	VEA(-) = 1.7V		0.1	0.2	V
Output Source Current	VEA(-) = 1.3V, Vo = 2V	-350	-500		µA
Output Sink Current	VEA(-) = 1.7V, Vo = 2V	10	20		mA
Common Mode Range		0		VIN-1V	V
Unity Gain Bandwidth	TJ = 25°C (Note 4)		1		MHz
Maximum Source Impedance	Note 5			100k	Ω

**ELECTRICAL  
CHARACTERISTICS (cont.)**

Unless otherwise stated, these parameters apply for  $T_A = -55^{\circ}\text{C}$  to  $+125^{\circ}\text{C}$  for the UC1871;  $-25^{\circ}\text{C}$  to  $+85^{\circ}\text{C}$  for the UC2871;  $0^{\circ}\text{C}$  to  $+70^{\circ}\text{C}$  for the UC3871;  $V_{CC} = 5\text{V}$ ,  $V_C = 15\text{V}$ ,  $V_{ENABLE} = 5\text{V}$ ,  $C_T = 1\text{nF}$ , Zero Det = 1V.

PARAMETER	TEST CONDITIONS	MIN	TYP	MAX	UNITS
<b>Open Lamp Detect Section</b>					
Soft Start Threshold	$V_{EA(-)} = 0\text{V}$	2.9	3.4	3.8	V
Error Amp Threshold	$V_{SS} = 4.2\text{V}$	0.7	1.0	1.3	V
Soft Start Current	$V_{SS} = 2\text{V}$	10	20	40	$\mu\text{A}$
<b>Error Amp 2 Section</b>					
Input Offset Voltage	$V_O = 2\text{V}$		0	10	mV
Input Bias Current			-0.2	-1	$\mu\text{A}$
Input Offset Current				0.5	$\mu\text{A}$
Open Loop Gain	$V_O = 0.5$ to $3\text{V}$	65	90		dB
Output High	$V_{ID} = 100\text{mV}$ , $V_O = 2\text{V}$	3.6	4	4.4	V
Output Low	$V_{ID} = -100\text{mV}$ , $V_O = 2\text{V}$		0.1	0.2	V
Output Source Current	$V_{ID} = 100\text{mV}$ , $V_O = 2\text{V}$	-350	-500		$\mu\text{A}$
Output Sink Current	$V_{ID} = -100\text{mV}$ , $V_O = 2\text{V}$	10	20		mA
Common Mode Range		0		$V_{IN}-2\text{V}$	V
Unity Gain Bandwidth	$T_J = 25^{\circ}\text{C}$ (Note 4)		1		MHz
<b>Isense Section</b>					
Threshold		0.475	0.525	0.575	V
<b>Output Section</b>					
Output Low Level	$I_{OUT} = 0$ , Outputs A and B		0.05	0.2	V
	$I_{OUT} = 10\text{mA}$		0.1	0.4	V
	$I_{OUT} = 100\text{mA}$		1.5	2.2	V
Output High Level	$I_{OUT} = 0$ , Outputs C and D	14.7	14.9		V
	$I_{OUT} = -10\text{mA}$	13.5	14.3		V
	$I_{OUT} = -100\text{mA}$	12.5	13.5		V
Rise Time	$T_J = 25^{\circ}\text{C}$ , $C_I = 1\text{nF}$ (Note 4)		30	80	ns
Fall Time	$T_J = 25^{\circ}\text{C}$ , $C_I = 1\text{nF}$ (Note 4)		30	80	ns
<b>Output Dynamics</b>					
Out A and B Duty Cycle		48	49.9	50	%
Out C Max Duty Cycle	$V_{EA1(-)} = 1\text{V}$	100			%
Out C Min Duty Cycle	$V_{EA1(-)} = 2\text{V}$			0	%
Out D Max Duty Cycle	$V_{EA2(+)}- V_{EA2(-)} = 100\text{mV}$		92	96	%
Out D Min Duty Cycle	$V_{EA2(+)}- V_{EA2(-)} = -100\text{mV}$			0	%
<b>Under Voltage Lockout Section</b>					
Start-Up Threshold		3.7	4.2	4.5	V
Hysteresis		120	200	280	mV
<b>Enable Section</b>					
Input High Threshold		2			V
Input low Threshold				0.8	V
Input Current	$V_{ENABLE} = 5\text{V}$		150	400	$\mu\text{A}$
<b>Supply Current Section</b>					
VCC Supply Current	$V_{CC} = 20\text{V}$		8	14	mA
VC Supply Current	$V_C = 20\text{V}$		7	12	mA
ICC Disabled	$V_{CC} = 20\text{V}$ , $V_{ENABLE} = 0\text{V}$		1	10	$\mu\text{A}$

Note 3: Unless otherwise specified, all voltages are with respect to ground.

Currents are positive into, and negative out of the specified terminal.

Note 4: Guaranteed by design but not 100% tested in production.

Note 5: Impedance below specified maximum guarantees proper operation of the Open Lamp Detect.

TYPICAL APPLICATION

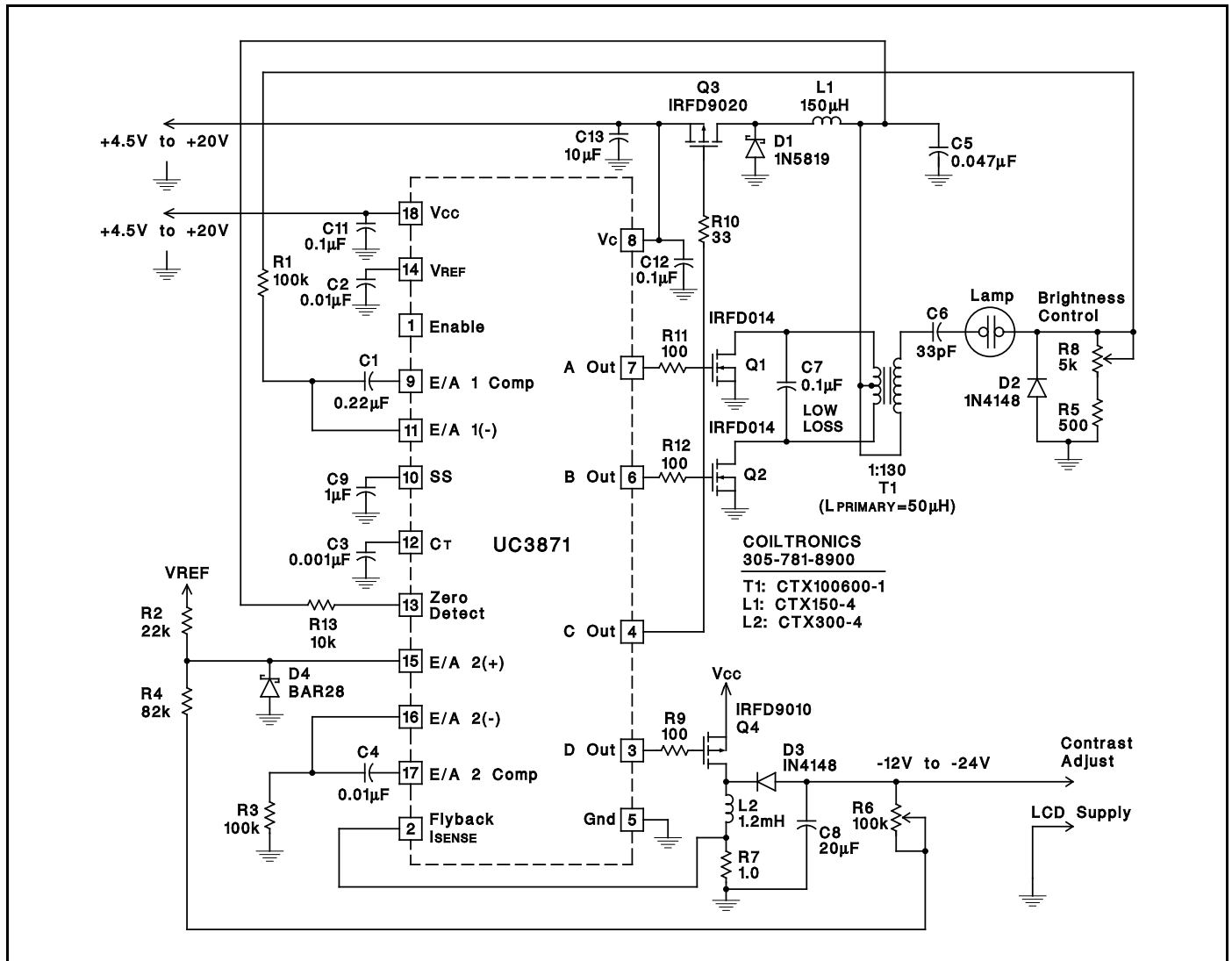


Figure 1

APPLICATION INFORMATION

Figure 1 shows a complete application circuit using the UC3871 Resonant Fluorescent lamp and LCD driver. The IC provides all drive, control and housekeeping functions to implement CCFL and LCD converters. The buck output voltage (transformer center-tap) provides the zero crossing and synchronization signal. The LCD supply modulator is also synchronized to the resonant tank.

The buck modulator drives a P-channel MOSFET directly, and operates over a 0-100% duty-cycle range. The modulation range includes 100%, allowing operation with minimal headroom. The LCD supply modulator also directly drives a P-channel MOSFET, but it's duty-cycle is limited to 95% to prevent flyback supply foldback.

The oscillator and synchronization circuitry are shown in Figure 2. The oscillator is designed to synchronize over a 3:1 frequency range. In an actual application however, the frequency range is only about 1.5:1. A zero detect

comparator senses the primary center-tap voltage, generating a synchronization pulse when the resonant waveform falls to zero. The actual threshold is 0.5 volts, providing a small amount of anticipation to offset propagation delay.

The synchronization pulse width is the time that the 4mA current sink takes to discharge the timing capacitor to 0.1 volts. This pulse width sets the LCD supply modulator minimum off time, and also limits the minimum linear control range of the buck modulator. The 200µA current source charges the capacitor to a maximum of 3 volts. A comparator blanks the zero detect signal until the capacitor voltage exceeds 1 volt, preventing multiple synchronization pulse generation and setting the maximum frequency. If the capacitor voltage reaches 3 volts (a zero detection has not occurred) an internal clock pulse is generated to limit the minimum frequency.

APPLICATION INFORMATION (cont.)

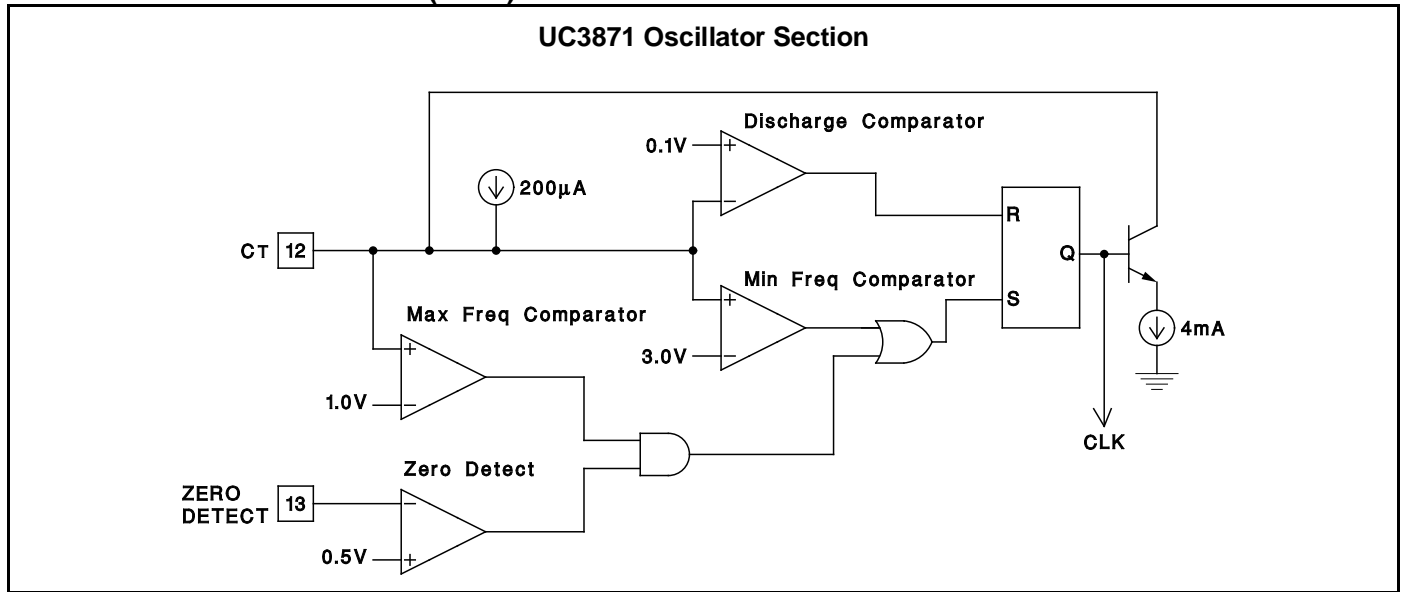


Figure 2

A unique protection feature incorporated in the UC3871 is the Open Lamp Detect circuit. An open lamp interrupts the current feedback loop and causes very high secondary voltage. Operation in this mode will usually breakdown the transformer's insulation, causing permanent damage to the converter. The open lamp detect circuit, shown in Figure 3 senses the lamp current feedback signal at the error amplifiers input, and shuts down the outputs if insufficient signal is present. Soft-start circuitry limits initial turn-on currents and blanks the open lamp detect signal.

Other features are included to minimize external circuitry

requirements. A logic level enable pin shuts down the IC, allowing direct connection to the battery. During shutdown, the IC typically draws less than 1µA. The UC3871, operating from 4.5V to 20V, is compatible with almost all battery voltages used in portable computers. Under-voltage lockout circuitry disables operation until sufficient supply voltage is available, and a 1% voltage reference insures accurate operation. Both inputs to the LCD supply error amplifier are uncommitted, allowing positive or negative supply loop closure without additional circuitry. The LCD supply modulator also incorporates cycle-by-cycle current limiting for added protection.

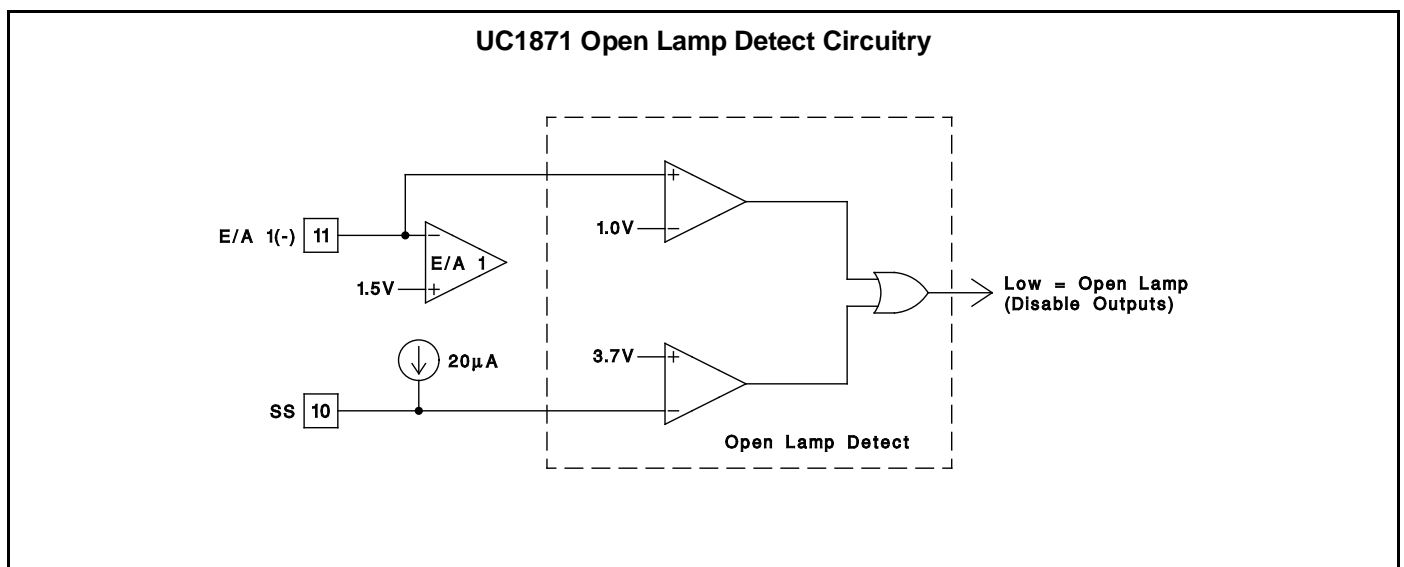


Figure 3

## IMPORTANT NOTICE

Texas Instruments and its subsidiaries (TI) reserve the right to make changes to their products or to discontinue any product or service without notice, and advise customers to obtain the latest version of relevant information to verify, before placing orders, that information being relied on is current and complete. All products are sold subject to the terms and conditions of sale supplied at the time of order acknowledgement, including those pertaining to warranty, patent infringement, and limitation of liability.

TI warrants performance of its semiconductor products to the specifications applicable at the time of sale in accordance with TI's standard warranty. Testing and other quality control techniques are utilized to the extent TI deems necessary to support this warranty. Specific testing of all parameters of each device is not necessarily performed, except those mandated by government requirements.

CERTAIN APPLICATIONS USING SEMICONDUCTOR PRODUCTS MAY INVOLVE POTENTIAL RISKS OF DEATH, PERSONAL INJURY, OR SEVERE PROPERTY OR ENVIRONMENTAL DAMAGE ("CRITICAL APPLICATIONS"). TI SEMICONDUCTOR PRODUCTS ARE NOT DESIGNED, AUTHORIZED, OR WARRANTED TO BE SUITABLE FOR USE IN LIFE-SUPPORT DEVICES OR SYSTEMS OR OTHER CRITICAL APPLICATIONS. INCLUSION OF TI PRODUCTS IN SUCH APPLICATIONS IS UNDERSTOOD TO BE FULLY AT THE CUSTOMER'S RISK.

In order to minimize risks associated with the customer's applications, adequate design and operating safeguards must be provided by the customer to minimize inherent or procedural hazards.

TI assumes no liability for applications assistance or customer product design. TI does not warrant or represent that any license, either express or implied, is granted under any patent right, copyright, mask work right, or other intellectual property right of TI covering or relating to any combination, machine, or process in which such semiconductor products or services might be or are used. TI's publication of information regarding any third party's products or services does not constitute TI's approval, warranty or endorsement thereof.