

TPS61000, TPS61001, TPS61002, TPS61003, TPS61004, TPS61005, TPS61006 SINGLE-CELL BOOST CONVERTER WITH START-UP INTO FULL LOAD

SLVS279A – MARCH 2000 – REVISED MAY 2000

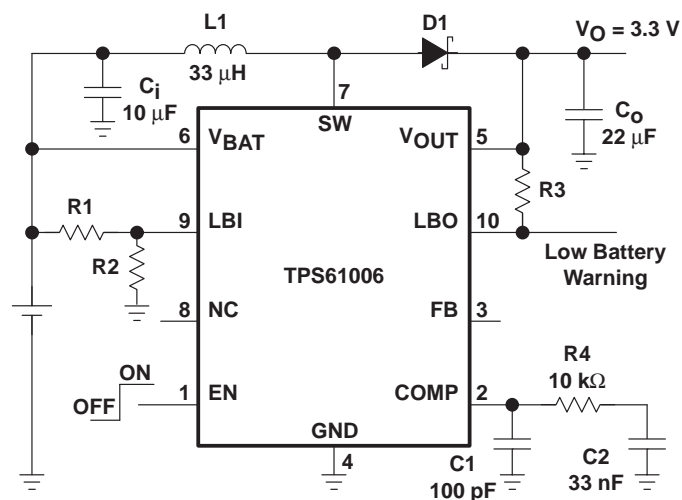
- Start Up Into a Full Load With Supply Voltages as Low as 0.9 V Over Full Temperature Range
- Minimum 100-mA Output Current From 0.8 V Supply Voltage
- High Power Conversion Efficiency, up to 90%
- Power-Save Mode for Improved Efficiency at Low Output Currents
- Device Quiescent Current Less Than 50 μ A
- Added System Security With Integrated Low-Battery Comparator
- Low-EMI Converter (Integrated Antiringing Switch Across Inductor)
- Micro-Size 10-Pin MSOP Package
- Evaluation Modules Available (TPS6100xEVM-156)
- Applications Include:
 - Single- and Dual-Cell Battery Operated Products
 - MP3-Players and Wireless Headsets
 - Pagers and Cordless Phones
 - Portable Medical Diagnostic Equipment
 - Remote Controls

description

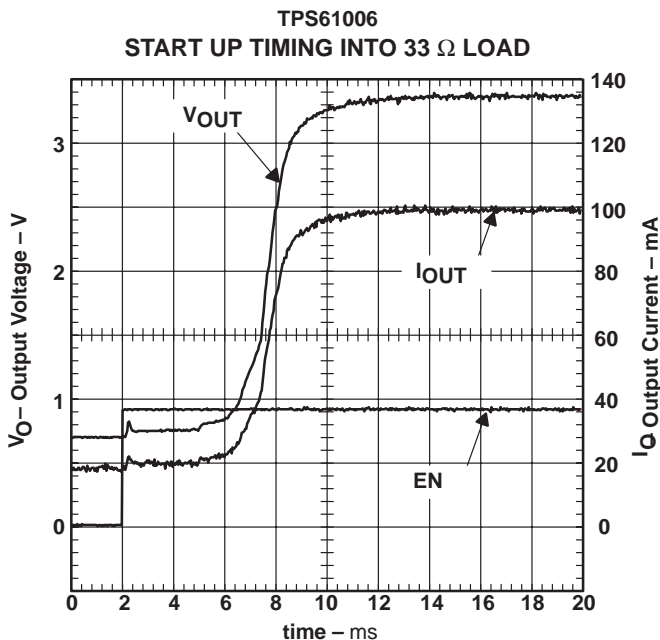
The TPS6100x devices are boost converters intended for systems that are typically operated from a single- or dual-cell nickel-cadmium (NiCd), nickel-metal hydride (NiMH), or alkaline battery. The converter output voltage can be adjusted from 1.5 V to a maximum of 3.3 V and provides a minimum output current of 100 mA. The converter starts up into a full load with a supply voltage of 0.9 V and stays in operation with supply voltages as low as 0.8 V.

The converter is based on a fixed-frequency, current-mode pulse-width-modulation (PWM) controller that goes into power-save mode at low load currents. The current through the switch is limited to a maximum of 1100 mA, depending on the output voltage. The current sense is integrated to further minimize external component count. The converter can be disabled to minimize battery drain when the system is put into standby.

A low-EMI mode is implemented to reduce interference and radiated electromagnetic energy that is caused by the ringing of the inductor when the inductor discharge-current decreases to zero. The device is packaged in the space saving 10-pin MSOP package.



TYPICAL APPLICATION CIRCUIT FOR FIXED OUTPUT VOLTAGE OPTION



Please be aware that an important notice concerning availability, standard warranty, and use in critical applications of Texas Instruments semiconductor products and disclaimers thereto appears at the end of this data sheet.

PRODUCTION DATA information is current as of publication date. Products conform to specifications per the terms of Texas Instruments standard warranty. Production processing does not necessarily include testing of all parameters.

**TEXAS
INSTRUMENTS**

POST OFFICE BOX 655303 • DALLAS, TEXAS 75265

Copyright © 2000, Texas Instruments Incorporated

TPS61000, TPS61001, TPS61002, TPS61003, TPS61004, TPS61005, TPS61006 SINGLE-CELL BOOST CONVERTER WITH START-UP INTO FULL LOAD

SLVS279A – MARCH 2000 – REVISED MAY 2000

AVAILABLE OPTIONS

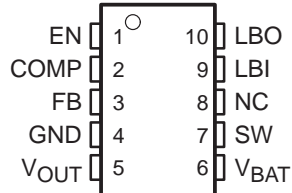
T _A	PACKAGE	OUTPUT VOLTAGE (V)	PART NUMBER†	MARKING DGS PACKAGE
-40°C to 85°C	10-Pin MSOP DGS	Adj. from 1.5 V to 3.3 V	TPS61000DGS	ADA
		1.5	TPS61001DGS	ADB
		1.8	TPS61002DGS	ADC
		2.5	TPS61003DGS	ADD
		2.8	TPS61004DGS	ADE
		3.0	TPS61005DGS	ADF
		3.3	TPS61006DGS	ADG

† The DGS package is available taped and reeled. Add R suffix to device type (e.g. TPS61000DGSR) to order quantities of 3000 devices per reel.

Terminal Functions

TERMINAL NAME	NO.	I/O	DESCRIPTION
COMP	2		Compensation of error amplifier. Connect R-C-C network to set frequency response of control loop. See the <i>Application</i> section for more details.
EN	1	I	Chip-enable input. The converter is switched on if EN is set high and is switched off when EN is connected to ground (shutdown mode).
FB	3	I	Feedback input for adjustable output voltage (TPS61000 only). The output voltage is programmed depending on the values of resistors R1 and R2. For the fixed output voltage versions (TPS61001, 2, 3, 4, 5, 6), leave the FB pin unconnected.
GND	4		Ground
LBI	9	I	Low-battery detector input. A low-battery signal is generated at the LBO pin when the voltage on LBI drops below the threshold of 500 mV. Connect LBI to GND or V _{BAT} if the low-battery detector function is not used. Do not leave this pin floating.
LBO	10	O	Open-drain low-battery detector output. This pin is pulled low if the voltage on LBI drops below the threshold of 500 mV. A pull-up resistor should be connected between LBO and V _{OUT} .
NC	8		Not connected
SW	7	I	Switch input pin. The node between inductor and anode of the rectifier diode is connected to this pin.
VBAT	6	I	Supply pin
V _{OUT}	5	O	Output voltage. For the fixed output voltage versions, the integrated resistive divider is connected to this pin.

DGS PACKAGE (TOP VIEW)

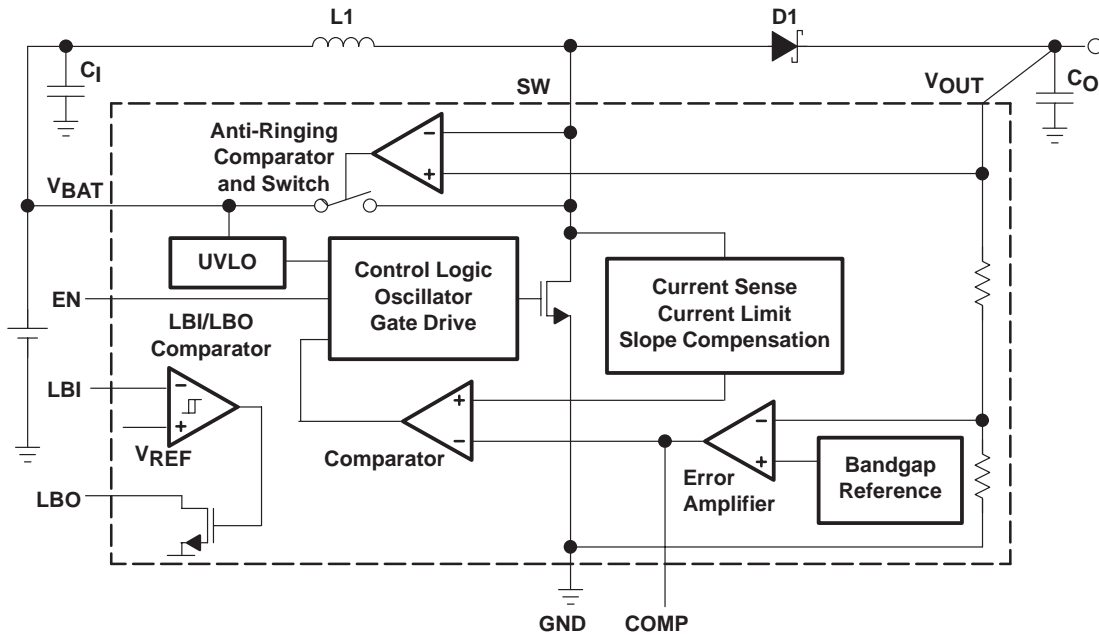


TPS61000, TPS61001, TPS61002, TPS61003, TPS61004, TPS61005, TPS61006 SINGLE-CELL BOOST CONVERTER WITH START-UP INTO FULL LOAD

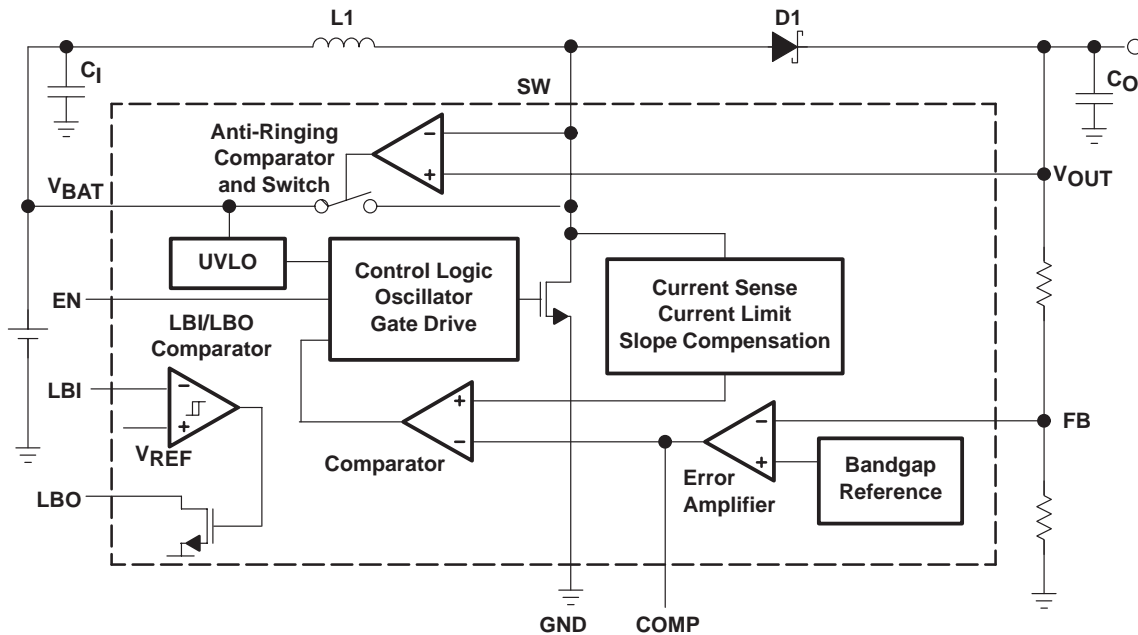
SLVS279A – MARCH 2000 – REVISED MAY 2000

functional block diagram

fixed output-voltage option



adjustable output-voltage option



TPS61000, TPS61001, TPS61002, TPS61003, TPS61004, TPS61005, TPS61006 SINGLE-CELL BOOST CONVERTER WITH START-UP INTO FULL LOAD

SLVS279A – MARCH 2000 – REVISED MAY 2000

detailed description

controller circuit

The device is based on a current-mode control topology using a constant-frequency pulse-width modulator to regulate the output voltage. It runs at an oscillator frequency of 500 kHz. The current sense is implemented by measuring the voltage across the switch. The controller also limits the current through the power switch on a pulse by pulse basis. Care must be taken that the inductor saturation current is higher than the current limit of the TPS6100x. This prevents the inductor from going into saturation and therefore protects both device and inductor. The current limit should not become active during normal operating conditions.

The TPS6100x is designed for high efficiency over a wide output current range. Even at light loads the efficiency stays high because the controller enters a power-save mode, minimizing switching losses of the converter. In this mode, the controller only switches if the output voltage trips below a set threshold voltage. It ramps up the output voltage with one or several pulses, and again goes into the power-save mode once the output voltage exceeds the threshold voltage. The controller enters the power-save mode when the output current drops to levels that force the discontinuous current mode. It calculates a minimum duty cycle based on input and output voltage and uses the calculation for the transition out of the power-save mode into continuous current mode.

The control loop must be externally compensated with an R/C/C network connected to the COMP pin. See the application section for more details on the design of the compensation network.

device enable

The device is put into operation when EN is set high. During start-up of the converter the input current from the battery is limited until the voltage on COMP reaches its operating point. The device is put into a shutdown mode when EN is set to GND. In this mode, the regulator stops switching and all internal control circuitry including the low-battery comparator is switched off. The output voltage drops to one diode drop below the input voltage in shutdown.

under-voltage lockout

An under-voltage lockout function prevents the device start-up if the supply voltage on V_{BAT} is lower than approximately 0.7 V. This under-voltage lockout function is implemented in order to prevent the malfunctioning of the converter. When in operation and the battery is being discharged, the device will automatically enter the shutdown mode if the voltage on V_{BAT} drops below approximately 0.7 V.

If the EN pin is hardwired to V_{BAT} and if the voltage at V_{BAT} drops temporarily below the UVLO threshold voltage, the device will switch off and will not start up again automatically, even if the supply voltage rises above 0.9 V. The device will start up again only after a signal change from low to high on EN or if the battery voltage is completely removed.



POST OFFICE BOX 655303 • DALLAS, TEXAS 75265

detailed description (continued)

low Battery detector circuit (LBI and LBO)

The low-battery detector circuit is typically used to supervise the battery voltage and to generate an error flag when the battery voltage drops below a user-set threshold voltage. The function is active only when the device is enabled. When the device is disabled, the LBO pin is high impedance. The LBO pin goes active low when the voltage on the LBI pin decreases below the set threshold voltage of $500\text{ mV} \pm 15\text{ mV}$, which is equal to the internal reference voltage. The battery voltage, at which the detection circuit switches, can be programmed with a resistive divider connected to the LBI pin. The resistive divider scales down the battery voltage to a voltage level of 500 mV , which is then compared to the LBI threshold voltage. The LBI pin has a build-in hysteresis of 10 mV . Please see the application section for more details about the programming of the LBI threshold.

If the low-battery detection circuit is not used, the LBI pin should be connected to GND (or to V_{BAT}) and the LBO pin can be left unconnected. Do not let the LBI pin float.

low-EMI switch

The device integrates a circuit which removes the ringing that typically appears on the SW-node when the converter enters the discontinuous current mode. In this case, the current through the inductor ramps to zero and the Schottky diode stops conducting. Due to remaining energy that is stored in parasitic components of diode, inductor and switch, a ringing on the SW pin is induced. The integrated anti-ringing switch clamps this voltage internally to V_{BAT} and therefore dampens this ringing.

The anti-ringing switch is turned on by a comparator that monitors the voltage between SW and V_{OUT} . This voltage indicates when the diode is reverse biased. The ringing on the SW-node is damped to a large degree, reducing the electromagnetic interference generated by the switching regulator to a very great extends.

adjustable output voltage

The accuracy of the internal voltage reference, the controller topology, and the accuracy of the external resistor divider determine the accuracy of the adjustable output voltage version of the TPS61000. The reference voltage has an accuracy of $\pm 4\%$ over line, load, and temperature. The controller switches between fixed frequency and pulse-skip mode, depending on load current. This adds an offset to the output voltage that is equivalent to 1% of V_{O} . Using 1% accurate resistors for the feedback divider, a total accuracy of $\pm 6\%$ can be achieved over the complete output current range.

TPS61000, TPS61001, TPS61002, TPS61003, TPS61004, TPS61005, TPS61006 SINGLE-CELL BOOST CONVERTER WITH START-UP INTO FULL LOAD

SLVS279A – MARCH 2000 – REVISED MAY 2000

absolute maximum ratings†

Input voltage range, V_I (V_{BAT} , V_{OUT} , COMP, FB, LBO, EN, LBI)	-0.3 V to 3.6 V
Input voltage, V_I (SW)	-0.3 V to 7 V
Peak current into SW	1300 mA
Continuous total power dissipation	See dissipation rating table
Operating free-air temperature range, T_A	-40°C to 85°C
Maximum junction temperature, T_J	150°C
Storage temperature range, T_{stg}	-65°C to 150°C
Lead temperature	260°C

† Stresses beyond those listed under “absolute maximum ratings” may cause permanent damage to the device. These are stress ratings only, and functional operation of the device at these or any other conditions beyond those indicated under “recommended operating conditions” is not implied. Exposure to absolute-maximum-rated conditions for extended periods may affect device reliability.

DISSIPATION RATING TABLE

PACKAGE	$T_A \leq 25^\circ\text{C}$ POWER RATING	DERATING FACTOR ABOVE $T_A = 25^\circ\text{C}$	$T_A = 70^\circ\text{C}$ POWER RATING	$T_A = 85^\circ\text{C}$ POWER RATING
DGS	424 mW	3.4 mW/°C	271 mW	220 mW

recommended operating conditions

		MIN	NOM	MAX	UNIT
Supply voltage at V_{BAT}		0.8		V_O	V
Output current	$V_{BAT} = 1.2\text{ V}$		100		mA
	$V_{BAT} = 2.4\text{ V}$		250		
Inductor		10		33	μH
Input capacitor			10		μF
Output capacitor			22		μF
Operating junction temperature, T_J		-40		125	°C



TPS61000, TPS61001, TPS61002, TPS61003, TPS61004, TPS61005, TPS61006 SINGLE-CELL BOOST CONVERTER WITH START-UP INTO FULL LOAD

SLVS279A – MARCH 2000 – REVISED MAY 2000

electrical characteristics over recommended operating free-air temperature range, $V_{BAT} = 1.2\text{ V}$, $EN = V_{BAT}$ (unless otherwise noted)

PARAMETER		TEST CONDITIONS	MIN	TYP	MAX	UNIT		
V_I	Input voltage for start-up	$R_L = 33\ \Omega$	0.9			V		
V_I	Input voltage for start-up	$R_L = 3\ \text{k}\Omega$, $T_A = 25\ ^\circ\text{C}$	0.8			V		
V_I	Input voltage once started	$I_O = 100\ \text{mA}$	0.8			V		
V_O	Programmable output voltage range	TPS61000 $I_O = 100\ \text{mA}$	1.5		3.3	V		
V_O	Output voltage	TPS61001	1.2 V	$I_O = 1\ \text{mA}$	1.44	1.5	1.55	V
			$0.8\ \text{V} < V_I < V_O$,	$I_O = 100\ \text{mA}$	1.45	1.5	1.55	
		TPS61002	1.2 V	$I_O = 1\ \text{mA}$	1.72	1.8	1.86	
			$0.8\ \text{V} < V_I < V_O$,	$I_O = 100\ \text{mA}$	1.74	1.8	1.86	
		TPS61003	1.2 V	$I_O = 1\ \text{mA}$	2.40	2.5	2.58	
			$0.8\ \text{V} < V_I < V_O$,	$I_O = 100\ \text{mA}$	2.42	2.5	2.58	
			$1.6\ \text{V} < V_I < V_O$,	$I_O = 200\ \text{mA}$	2.42	2.5	2.58	
		TPS61004	1.2 V	$I_O = 1\ \text{mA}$	2.68	2.8	2.89	
			$0.8\ \text{V} < V_I < V_O$,	$I_O = 100\ \text{mA}$	2.72	2.8	2.89	
			$1.6\ \text{V} < V_I < V_O$,	$I_O = 200\ \text{mA}$	2.72	2.8	2.89	
		TPS61005	1.2 V	$I_O = 1\ \text{mA}$	2.88	3.0	3.1	
			$0.8\ \text{V} < V_I < V_O$,	$I_O = 100\ \text{mA}$	2.9	3.0	3.1	
			$1.6\ \text{V} < V_I < V_O$,	$I_O = 200\ \text{mA}$	2.9	3.0	3.1	
		TPS61006	1.2 V	$I_O = 1\ \text{mA}$	3.16	3.3	3.4	
			$0.8\ \text{V} < V_I < V_O$,	$I_O = 100\ \text{mA}$	3.2	3.3	3.4	
$1.6\ \text{V} < V_I < V_O$,	$I_O = 200\ \text{mA}$		3.2	3.3	3.4			
I_O	Maximum continuous output current	$V_I = 0.8\ \text{V}$	100			mA		
		$V_I = 1.8\ \text{V}$	250					
I_{SW}	Switch current limit	TPS61001	$0.8\ \text{V} < V_I < V_O$		0.5	A		
		TPS61002		0.65				
		TPS61003		0.9				
		TPS61004		0.95				
		TPS61005		1				
		TPS61006		1.1				
V_{FB}	Feedback voltage	TPS61006	468	500	515	mV		
f	Oscillator frequency		360	500	840	kHz		
D_{MAX}	Maximum duty cycle		85%					
$r_{DS(on)}$	Switch-on resistance	$V_O = 3.3\ \text{V}$	0.18	0.27		Ω		
	Line regulation (see Note 1)	$V_I = 0.8\ \text{V}$ to $1.25\ \text{V}$, $I_O = 50\ \text{mA}$	0.3			%/V		
	Load regulation fixed output voltage versions (see Note 1)	$V_I = 1.2\ \text{V}$; $I_O = 10\ \text{mA}$ to $90\ \text{mA}$	0.25%					

NOTE 1: Line and load regulation is measured as a percentage deviation from the nominal value (i.e. as percentage deviation from the nominal output voltage). For line regulation, x %/V stands for $\pm x\%$ change of the nominal output voltage per 1-V change on the input/supply voltage. For load regulation, y% stands for $\pm y\%$ change of the nominal output voltage per the specified current change.



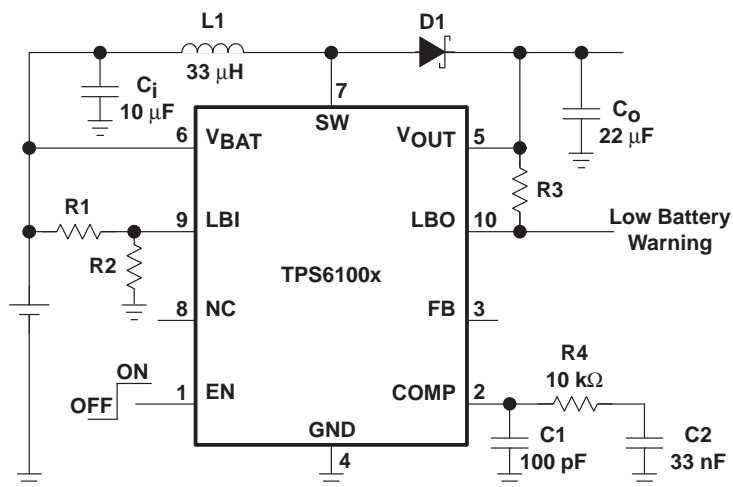
TPS61000, TPS61001, TPS61002, TPS61003, TPS61004, TPS61005, TPS61006 SINGLE-CELL BOOST CONVERTER WITH START-UP INTO FULL LOAD

SLVS279A – MARCH 2000 – REVISED MAY 2000

electrical characteristics over recommended operating free-air temperature range, $V_{BAT} = 1.2\text{ V}$, $EN = V_{BAT}$ (unless otherwise noted) (continued)

PARAMETER		TEST CONDITIONS		MIN	TYP	MAX	UNIT
I_Q	Quiescent current drawn from power source (current into V_{BAT} and into V_{OUT})	$I_O = 0\text{ mA}$ $V_{EN} = V_I$, $V_O = 3.4\text{ V}$	V_{BAT}			44	μA
			V_{OUT}			6	
I_{SD}	Shutdown current from power source (current into V_{BAT} and into V_{OUT})	$V_{EN} = 0\text{ V}$			0.2	5	μA
V_{IL}	EN low-level input voltage					$0.2 \times V_{BAT}$	V
V_{IH}	EN high-level input voltage				$0.8 \times V_{BAT}$		V
	EN input current	$EN = GND$ or V_{BAT}			0.1	1	μA
V_{IL}	LBI low-level input voltage threshold	V_{LBI} voltage decreasing		470	500	530	mV
	LBI input hysteresis				10		mV
I_I	LBI input current				0.01	0.1	μA
V_{OL}	LBO low-level output voltage	$V_{LBI} = 0\text{ V}$, $V_O = 3.3\text{ V}$, $I_{OL} = 50\text{ }\mu\text{A}$			0.04	0.2	V
	LBO output leakage current	$V_{LBI} = 650\text{ mV}$, $V_{LBO} = 3.3\text{ V}$			0.01	1	μA
I_{FB}	FB input bias current (TPS61000 only)	$V_{FB} = 500\text{ mV}$			0.01	0.1	μA

PARAMETER MEASUREMENT INFORMATION



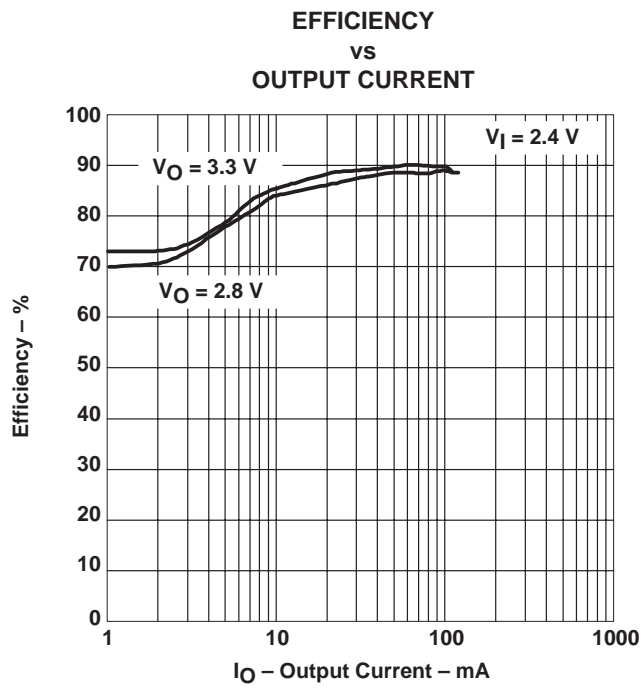
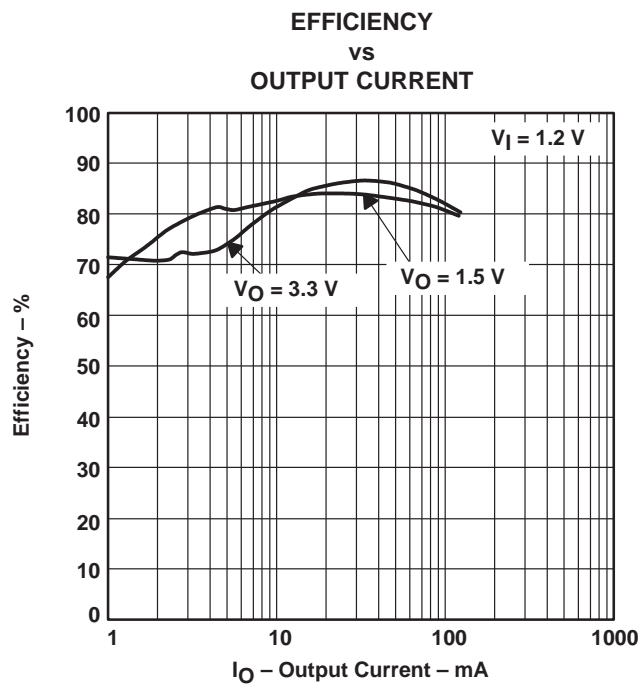
- List of Components:
IC1: Only fixed output versions (unless otherwise noted)
L1: Coilcraft DO3308P-333
D1: Motorola Schottky Diode MBRM120LT3
C_i: Ceramic
C_O: Ceramic

Figure 1. Circuit Used For Typical Characteristics Measurements

TYPICAL CHARACTERISTICS

Table of Graphs

			FIGURE
η	Efficiency	vs Output Current	2, 3
		vs Inductor Type	4
		vs Input Voltage	5
I_O	Maximum Output Current	vs Input Voltage	6
V_O	Output Voltage	vs Output Current	7
V_O	TPS61000 Output Voltage	vs Output Current	8
I_Q	No-Load Supply Current	vs Input Voltage	9
I_{SD}	Shutdown Current	vs Input Voltage	10
V_I	Minimum Start-Up Input Voltage	vs Load Current	11
I_{LIM}	Switch current limit	vs Output Voltage	12
	Output Voltage Ripple Amplitude		13
	Output Voltage Ripple Amplitude		14
	Load Transient Response		15
	Line Transient Response		16
	Start-Up Timing		17



TPS61000, TPS61001, TPS61002, TPS61003, TPS61004, TPS61005, TPS61006 SINGLE-CELL BOOST CONVERTER WITH START-UP INTO FULL LOAD

SLVS279A – MARCH 2000 – REVISED MAY 2000

TYPICAL CHARACTERISTICS

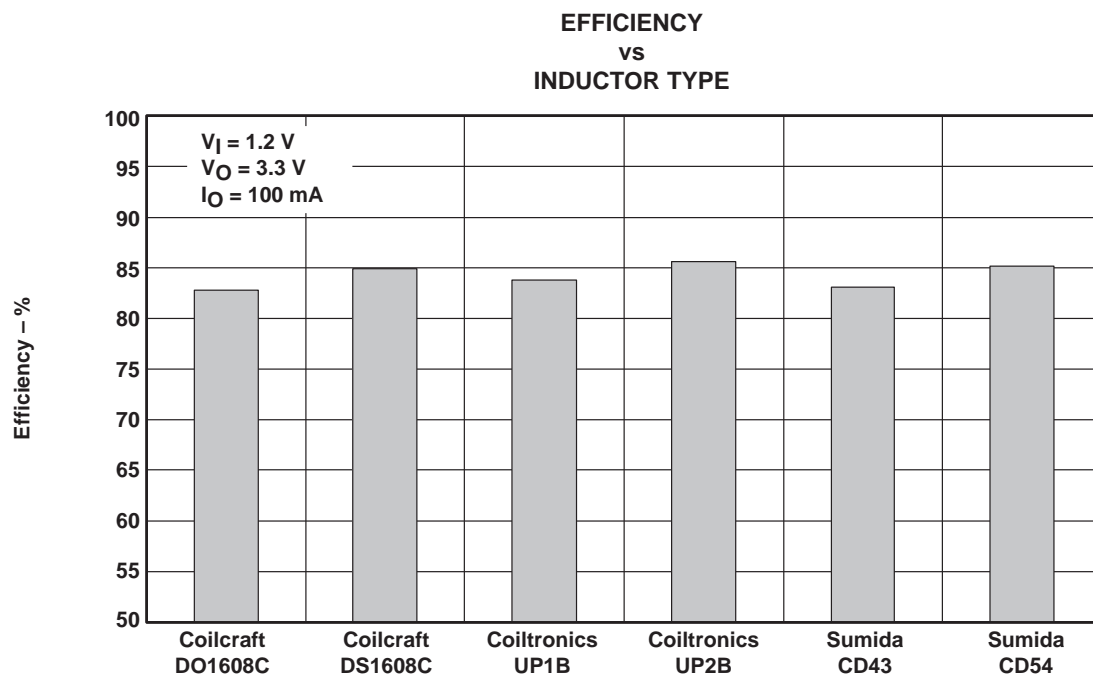


Figure 4

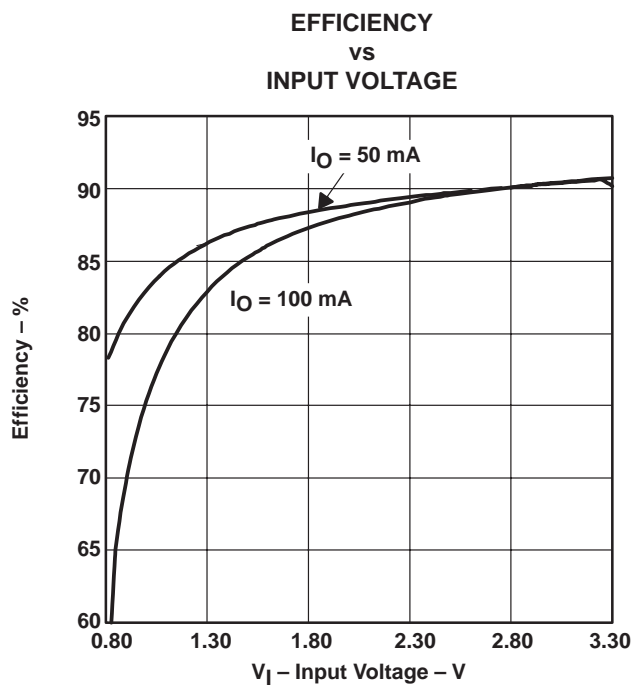


Figure 5

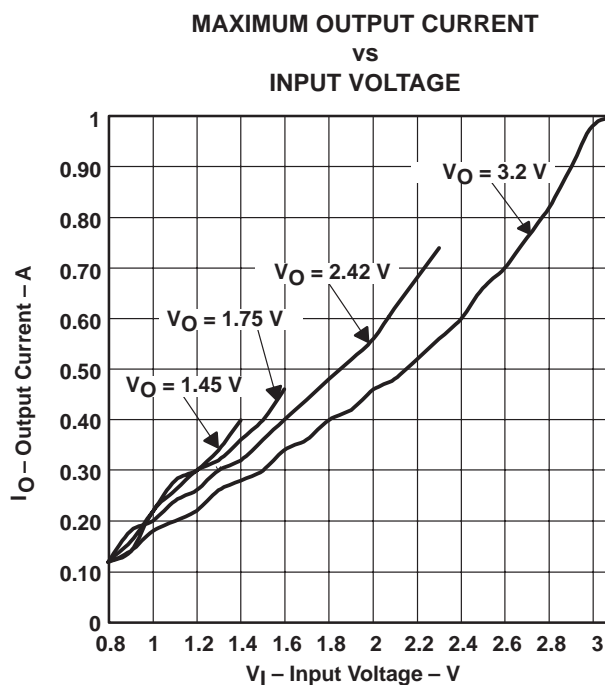


Figure 6

TYPICAL CHARACTERISTICS

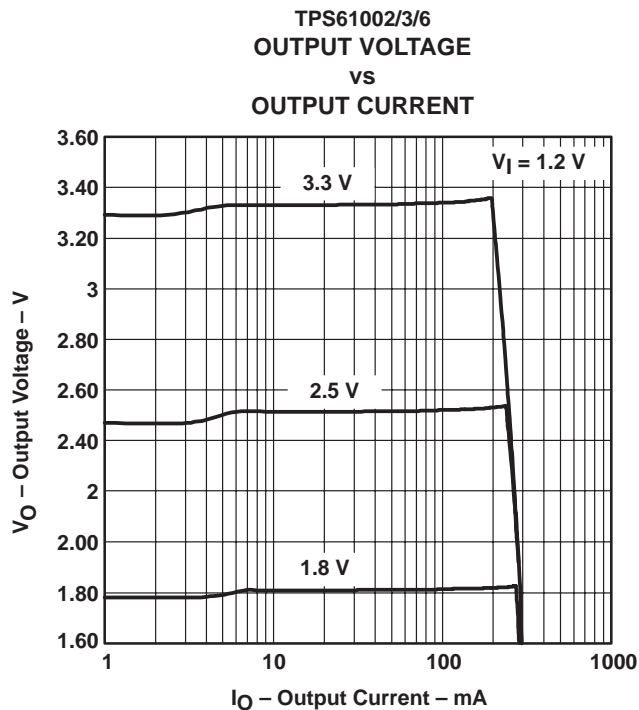


Figure 7

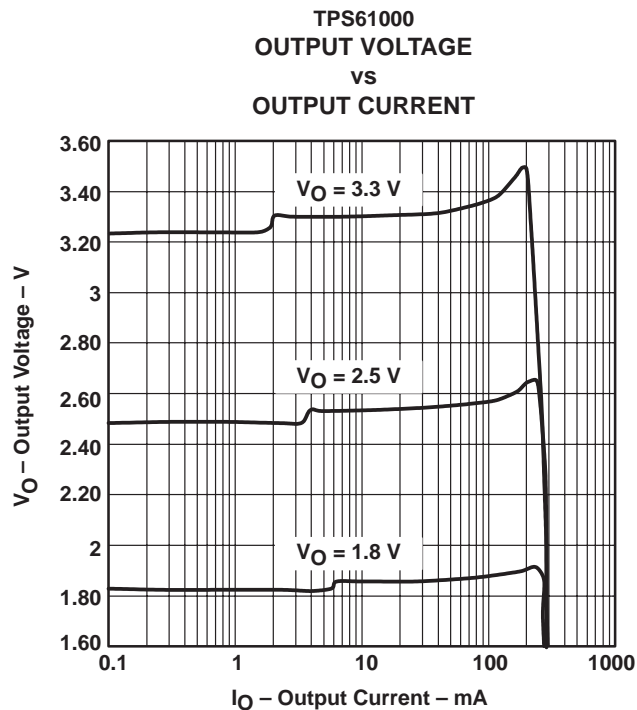


Figure 8

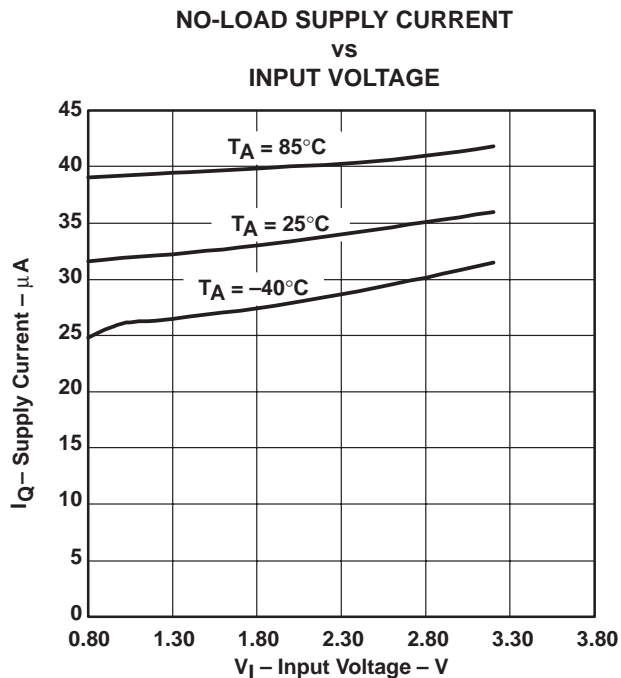


Figure 9

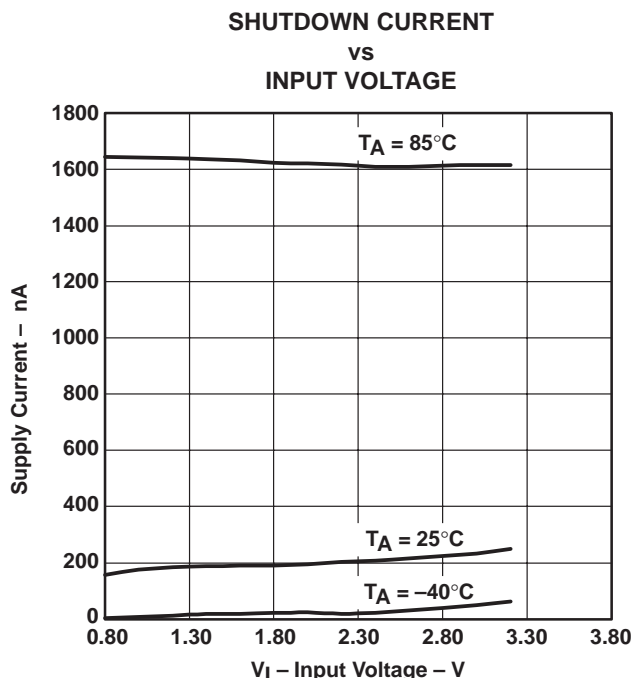


Figure 10

TPS61000, TPS61001, TPS61002, TPS61003, TPS61004, TPS61005, TPS61006 SINGLE-CELL BOOST CONVERTER WITH START-UP INTO FULL LOAD

SLVS279A – MARCH 2000 – REVISED MAY 2000

TYPICAL CHARACTERISTICS

MINIMUM START-UP INPUT VOLTAGE
VS
LOAD CURRENT

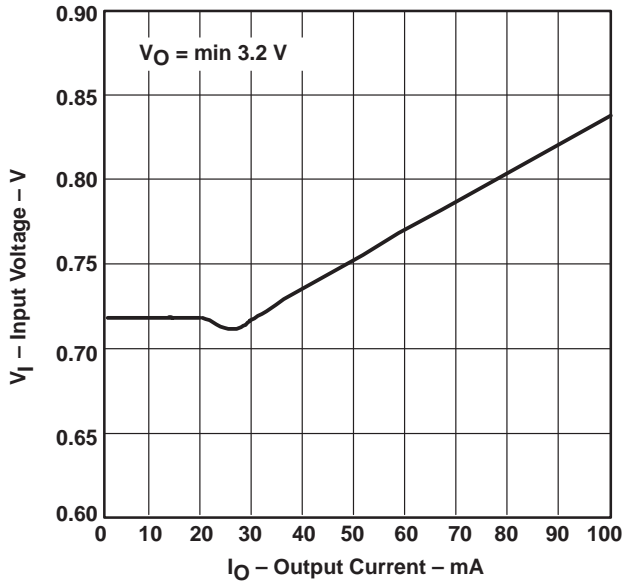


Figure 11

TPS61000
SWITCH CURRENT LIMIT
VS
OUTPUT VOLTAGE

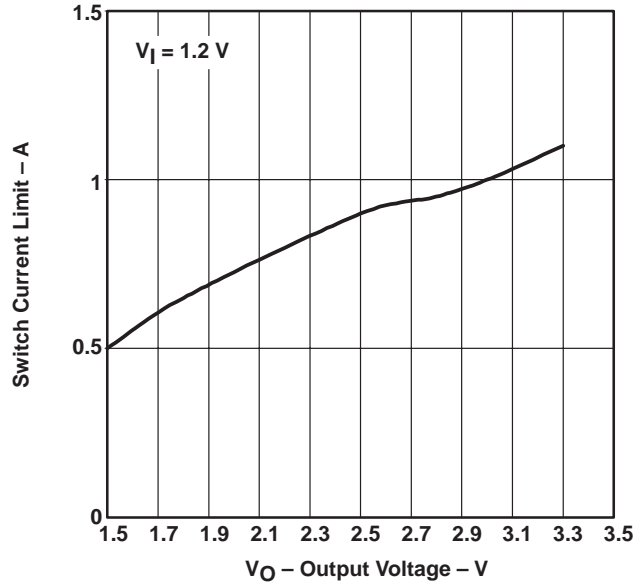


Figure 12

TPS61006
OUTPUT VOLTAGE RIPPLE AMPLITUDE

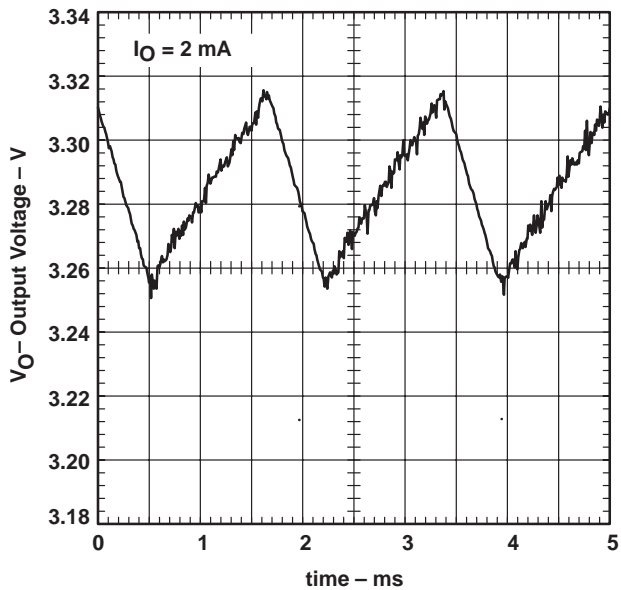


Figure 13

TPS61006
OUTPUT VOLTAGE RIPPLE AMPLITUDE

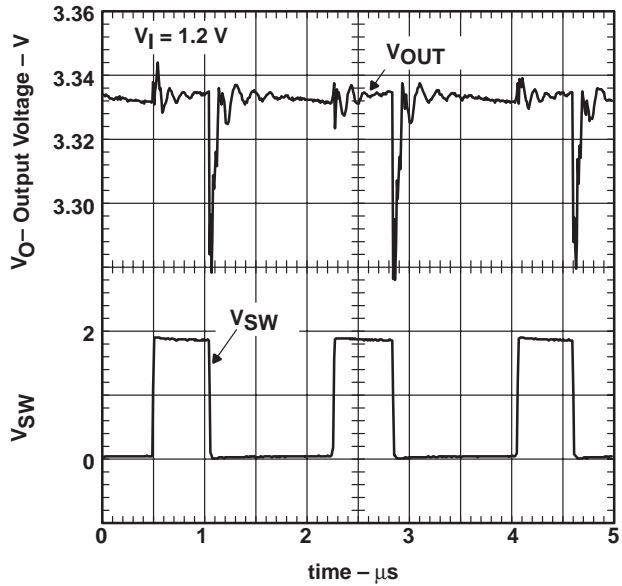


Figure 14

TYPICAL CHARACTERISTICS

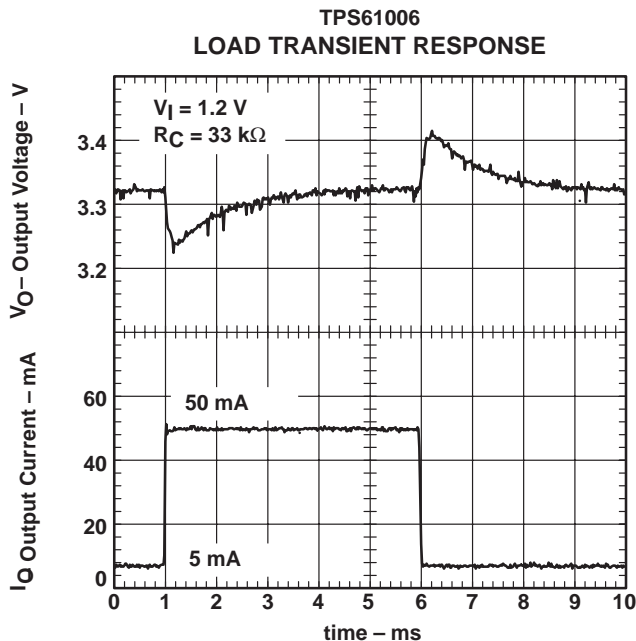


Figure 15

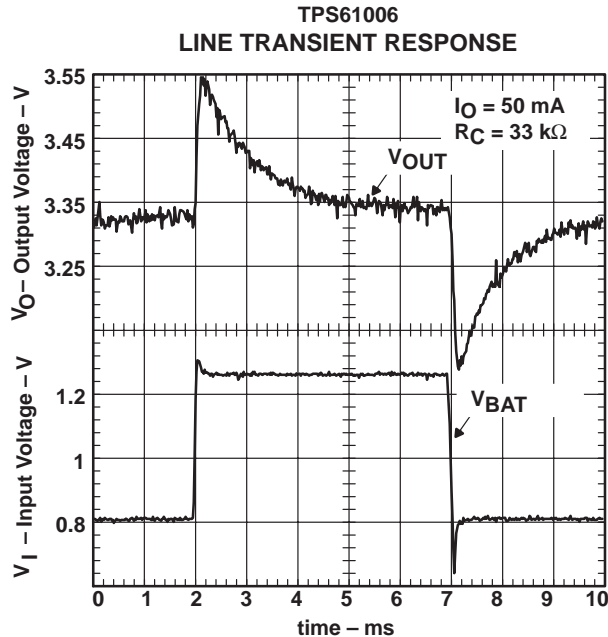


Figure 16

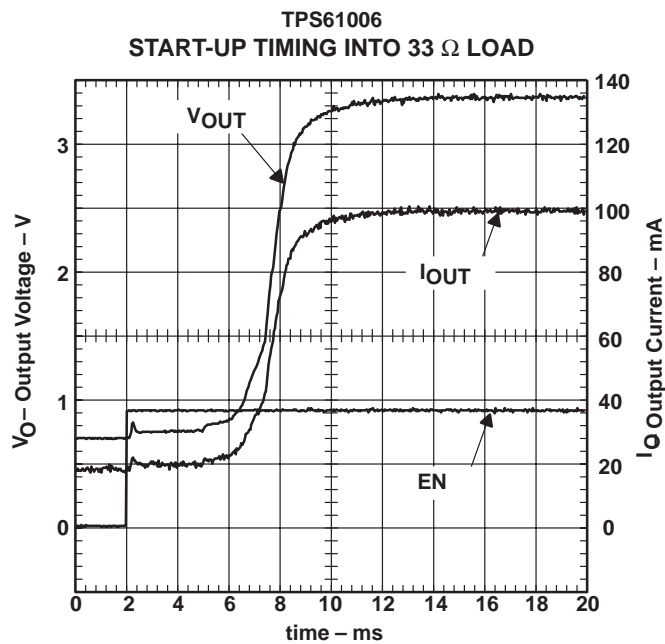


Figure 17

TPS61000, TPS61001, TPS61002, TPS61003, TPS61004, TPS61005, TPS61006 SINGLE-CELL BOOST CONVERTER WITH START-UP INTO FULL LOAD

SLVS279A – MARCH 2000 – REVISED MAY 2000

APPLICATION INFORMATION

The TPS6100x boost converter family is intended for systems that are powered by a single-cell NiCd or NiMH battery with a typical terminal voltage between 0.9 V to 1.6 V. It can also be used in systems that are powered by two-cell NiCd or NiMH batteries with a typical stack voltage between 1.8 V and 3.2 V. Additionally, single- or dual-cell, primary and secondary alkaline battery cells can be the power source in systems where the TPS6100x is used.

programming the TPS61000 adjustable output voltage device

The output voltage of the TPS61000 can be adjusted with an external resistor divider. The typical value of the voltage on the FB pin is 500 mV in fixed frequency operation and 485 mV in the power-save operation mode. The maximum allowed value for the output voltage is 3.3 V. The current through the resistive divider should be about 100 times greater than the current into the FB pin. The typical current into the FB pin is 0.01 μA , the voltage across R4 is typically 500 mV. Based on those two values, the recommended value for R4 is in the range of 500 k Ω in order to set the divider current at 1 μA . From that, the value of resistor R3, depending on the needed output voltage V_{OUT} , can be calculated using the following equation:

$$R3 = R4 \times \left(\frac{V_{\text{O}}}{V_{\text{FB}}} - 1 \right) = 500 \text{ k}\Omega \times \left(\frac{V_{\text{O}}}{500 \text{ mV}} - 1 \right) \quad (1)$$

If, as an example, an output voltage of 2.5 V is needed, a 2 M Ω resistor should be chosen for R3.

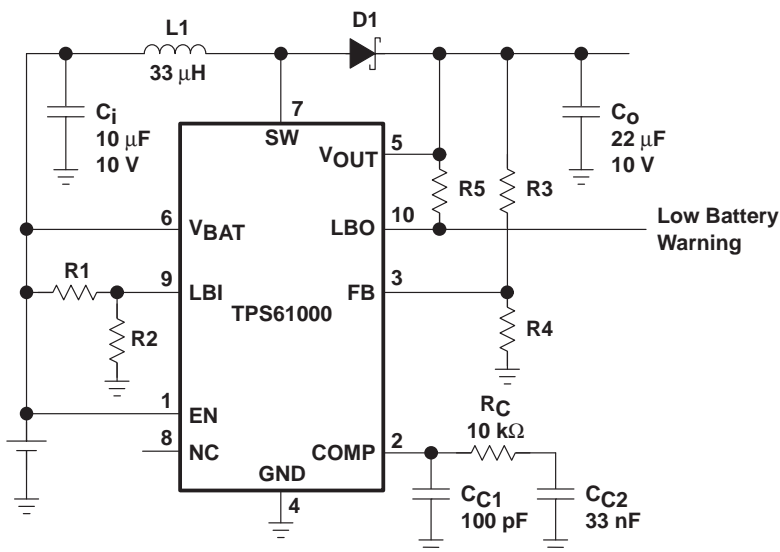


Figure 18. Typical Application Circuit for Adjustable Output Voltage Option

The output voltage of the adjustable output voltage version changes with the output current. Due to device-internal ground shift, which is caused by the high switch current, the internal reference voltage and hence the voltage on the FB pin increases with increasing output current. Since the output voltage follows the voltage on the FB pin, the output voltage rises as well with a rate of 1 mV per 1 mA output current increase. Additionally, when the converter goes into pulse-skip mode at output currents around 5 mA and lower, the output voltage drops due to the hysteresis of the controller. This hysteresis is about 15 mV measured on the FB pin.

APPLICATION INFORMATION

programming the low battery comparator threshold voltage

The current through the resistive divider should be about 100 times greater than the current into the LBI pin. The typical current into the LBI pin is 0.01 μ A, the voltage across R2 is equal to the reference voltage that is generated on chip, which has a value of 500 mV \pm 15 mV. The recommended value for R2 is therefore in the range of 500 k Ω . From that, the value of resistor R1 depending on the desired minimum battery voltage V_{BAT} , can be calculated using below equation:

$$R1 = R2 \times \left(\frac{V_{TRIP}}{V_{REF}} - 1 \right) = 500 \text{ k}\Omega \times \left(\frac{V_{BAT}}{0.5 \text{ V}} - 1 \right) \quad (2)$$

For example, if the low-battery detection circuit should flag an error condition on the LBO output pin at a battery voltage of 1.0 V, a resistor in the range of 500 k Ω should be chosen for R1.

The output of the low battery comparator is a simple open-drain output that goes active low if the battery voltage drops below the programmed threshold voltage on LBI. The output requires a pullup resistor with a recommended value of 1M Ω , and should only be pulled up to the V_{OUT} . If not used, the LBO pin can be left floating.

inductor selection

The output filter of inductive switching regulators is a low pass filter of second order. It consists of an inductor and a capacitor, often referred to as storage inductor and output capacitor.

To select an inductor, keep the possible peak inductor current below the current limit threshold of the power switch in your chosen configuration. For example, the current limit threshold of the TPS61000's switch is 1100 mA at an output voltage of 3.3 V. The highest peak current through the inductor and the switch depends on the output load, the input (V_{BAT}) and the output voltage (V_{OUT}). Estimation of the maximum average inductor current can be done using the following equation:

$$I_L = I_{OUT} \times \frac{V_{OUT}}{V_{BAT} \times 0.8} \quad (3)$$

For example, for an output current of 100 mA at 3.3 V, at least 515 mA current will flow through the inductor at a minimum input voltage of 0.8 V.

The second parameter for choosing the inductor is the desired current ripple in the inductor. Normally it is advisable to work with a ripple of less than 20% of the average inductor current. A smaller ripple will reduce the magnetic hysteresis losses in the inductor as well as output voltage ripple and EMI. But in the same way, regulation time at load changes will rise. In addition, a larger inductor will increase the total system costs.

APPLICATION INFORMATION

With those parameters it is possible to calculate the value for the inductor:

$$L = \frac{V_{BAT} \times (V_{OUT} - V_{BAT})}{\Delta I_L \times f \times V_{OUT}} \tag{4}$$

Parameter f is the switching frequency and ΔI_L is the ripple current in the inductor, i.e. 20% x I_L .

In this example, the desired inductor will have the value of 12 μ H. With this calculated value and the calculated currents, it is possible to choose a suitable inductor. Care has to be taken that load transients and losses in the circuit can lead to higher currents as estimated in equation 3. Also, the losses in the inductor caused by magnetic hysteresis losses and copper losses are a major parameter for total circuit efficiency.

The following inductors from different suppliers were tested. All will work with the TPS6100x converter within their specified parameters:

Table 1. Recommended Inductors

VENDOR	PART NUMBER
Coilcraft	DO1608P Series
	DS1608P Series
	DO3308 Series
Coiltronics	UP1B Series
	UP2B Series
Murata	LQH3N Series
Sumida	CD43 Series
	CD54 Series
	CDR74B Series
TDK	NLC453232T Series

capacitor selection

The major parameter necessary to define the output capacitor is the maximum allowed output voltage ripple of the converter. This ripple is determined by two parameters of the capacitor, the capacitance and the ESR. It is possible to calculate the minimum capacitance needed for the defined ripple, supposing that the ESR is zero.

$$C_{min} = \frac{I_{OUT} \times (V_{OUT} - V_{BAT})}{f \times \Delta V \times V_{OUT}} \tag{5}$$

Parameter f is the switching frequency and ΔV is the maximum allowed ripple.

With a chosen ripple voltage of 15 mV, a minimum capacitance of 10 μ F is needed. The total ripple will be larger due to the ESR of the output capacitor. This additional component of the ripple can be calculated using the following equation:

$$\Delta V_{ESR} = I_{OUT} \times R_{ESR} \tag{6}$$



APPLICATION INFORMATION

An additional ripple of 30 mV is the result of using a tantalum capacitor with a low ESR of 300 mΩ. The total ripple is the sum of the ripple caused by the capacitance and the ripple caused by the ESR of the capacitor. In this example, the total ripple will be 45 mV. It is possible to improve the design by enlarging the capacitor or using smaller capacitors in parallel to reduce the ESR or by using better capacitors with lower ESR, like ceramics. For example, a 10 μF ceramic capacitor with an ESR of 50 mΩ is used on the evaluation module (EVM). Tradeoffs have to be made between performance and costs of the converter circuit.

A 10 μF input capacitor is recommended to improve transient behavior of the regulator. A ceramic capacitor or a tantalum capacitor with a 100 nF ceramic capacitor in parallel placed close to the IC is recommended.

rectifier selection

The rectifier diode has a major impact on the overall converter efficiency. Standard diodes are not suitable for low-voltage switched mode power supplies. A Schottky diode with low forward voltage and fast reverse recovery should be used as rectifier to minimize overall losses of the dc-dc converter. The maximum current rating of the diode must be high enough for the application. The maximum diode current is equal to the maximum current in the inductor that was calculated in equation 3. The maximum reverse voltage is the output voltage. The chosen diode should therefore have a reverse voltage rating higher than the output voltage.

Table 2. Recommended Diodes

VENDOR	PART NUMBER
Motorola Surface Mount	MBRM120LT3
	MBR0520LT1
Motorola Axial Lead	1N1517
ROHM	RB520S-30
	RB160L-40

The typical forward voltage of those diodes is in the range of 0.35 to 0.45 V assuming a peak diode current of 600 mA.

compensation of the control loop

An R/C/C network must be connected to the COMP pin in order to stabilize the control loop of the converter. Both the pole generated by the inductor L1 and the zero caused by the ESR and capacitance of the output capacitor must be compensated. The network shown in Figure 19 will satisfy these requirements.

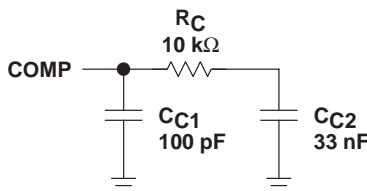


Figure 19. Compensation of the Control Loop

TPS61000, TPS61001, TPS61002, TPS61003, TPS61004, TPS61005, TPS61006 SINGLE-CELL BOOST CONVERTER WITH START-UP INTO FULL LOAD

SLVS279A – MARCH 2000 – REVISED MAY 2000

APPLICATION INFORMATION

Resistor R_C and capacitor C_{C2} depend on the chosen inductance. For a 33 μH inductor, the capacitance of C_{C2} should be chosen to 33 nF, or in other words, if the inductor is $xx \mu\text{H}$, the chosen compensation capacitor should be $xx \text{ nF}$, the same number value. The value of the compensation resistor is then chosen based on the requirement to have a time constant of 0.3 ms for the R/C network of R_C and C_{C2} ; hence for a 33-nF capacitor, a 10-k Ω resistor should be chosen for R_C .

Capacitor C_{C1} is depending on the ESR and capacitance value of the output capacitor, and on the value chosen for R_C . Its value is calculated using following equation:

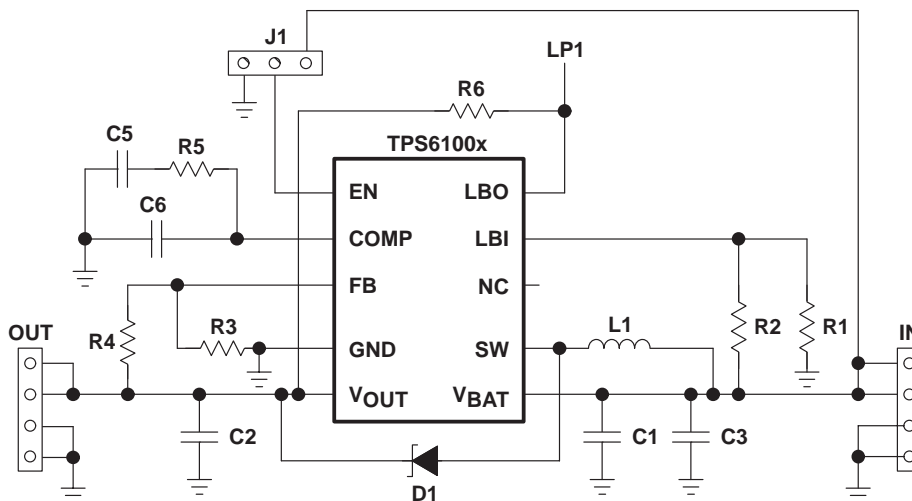
$$C_{C1} = \frac{C_O \times \text{ESR}_{C_{OUT}}}{3 \times R_C} \tag{7}$$

For a selected output capacitor of 22 μF with an ESR of 0.2 Ω , and R_C of 33 k Ω , the value of C_{C1} is in the range of 100 pF.

Table 3. Recommended Compensation Components

INDUCTOR [μH]	OUTPUT CAPACITOR		R_C [k Ω]	C_{C1} [pF]	C_{C2} [nF]
	CAPACITANCE [μF]	ESR [Ω]			
33	22	0.2	10	100	33
22	22	0.3	15	100	22
10	22	0.4	33	100	10
10	10	0.1	33	100	10

schematic of TPS6100x evaluation modules (TPS6100xEVM-156)



APPLICATION INFORMATION

suggested board layout and component placement (21 mm x 21 mm board size)

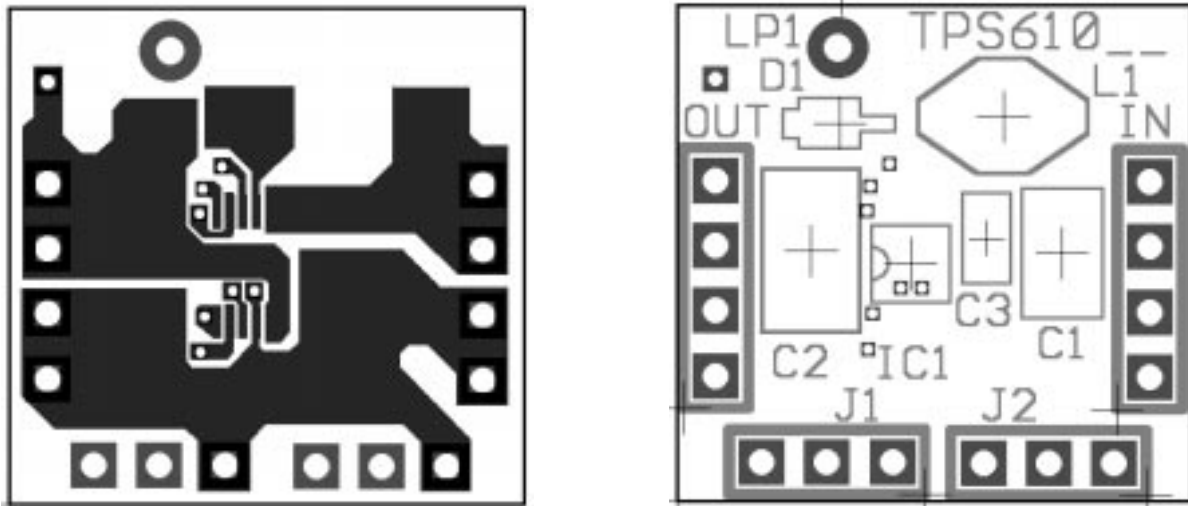


Figure 20. Top Layer Layout and Component Placement

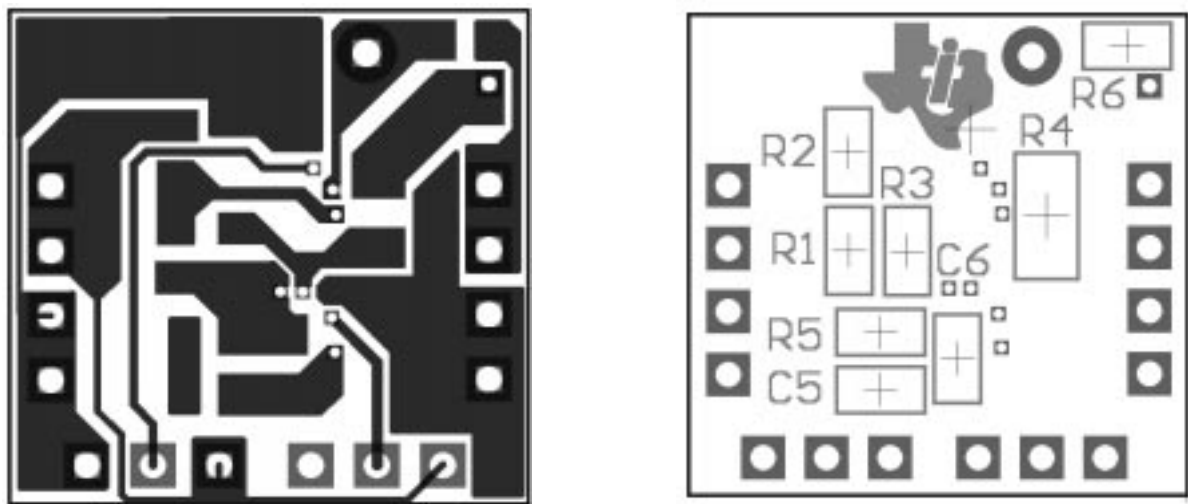


Figure 21. Bottom Layer Layout and Component Placement

device family products

Other devices in this family are:

PART NUMBER	DESCRIPTION
UCC2941-3/-5/-ADJ	1-V synchronous boost converter with secondary output
UCC3941-3/-5/-ADJ	
UCC29411/2/3	1-V low power synchronous boost converter with secondary output
UCC39411/2/3	

TPS61000, TPS61001, TPS61002, TPS61003, TPS61004, TPS61005, TPS61006 SINGLE-CELL BOOST CONVERTER WITH START-UP INTO FULL LOAD

SLVS279A – MARCH 2000 – REVISED MAY 2000

THERMAL INFORMATION

Implementation of integrated circuits in low-profile and fine-pitch surface-mount packages typically requires special attention to power dissipation. Many system-dependent issues such as thermal coupling, airflow, added heat sinks and convection surfaces, and the presence of other heat-generating components affect the power-dissipation limits of a given component.

Three basic approaches for enhancing thermal performance are listed below:

- Improving the power dissipation capability of the PWB design
- Improving the thermal coupling of the component to the PWB
- Introducing airflow in the system

The maximum junction temperature (T_J) of the TPS6100x devices is 125°C. The thermal resistance of the 10-pin MSOP package (DSG) is $R_{\theta JA} = 294^\circ\text{C/W}$. Specified regulator operation is assured to a maximum ambient temperature T_A of 85°C. Therefore, the maximum power dissipation is about 130 mW. More power can be dissipated if the maximum ambient temperature of the application is lower.

$$P_{D(\text{MAX})} = \frac{T_{J(\text{MAX})} - T_A}{R_{\theta JA}} = \frac{125^\circ\text{C} - 85^\circ\text{C}}{294^\circ\text{C/W}} = 136 \text{ mW} \quad (8)$$

Under normal operating conditions, the sum of all losses generated inside the converter IC is less than 50 mW, which is well below the maximum allowed power dissipation of 136 mW as calculated in equation 8. Therefore, power dissipation is given no special attention.

Table 4 shows where the losses inside the converter are generated.

Table 4. Losses Inside the Converter

LOSSES	AMOUNTS
Conduction losses in the switch	36 mW
Switching losses	8 mW
Gate drive losses	2.3 mW
Quiescent current losses	< 1 mW
TOTAL	< 50 mW

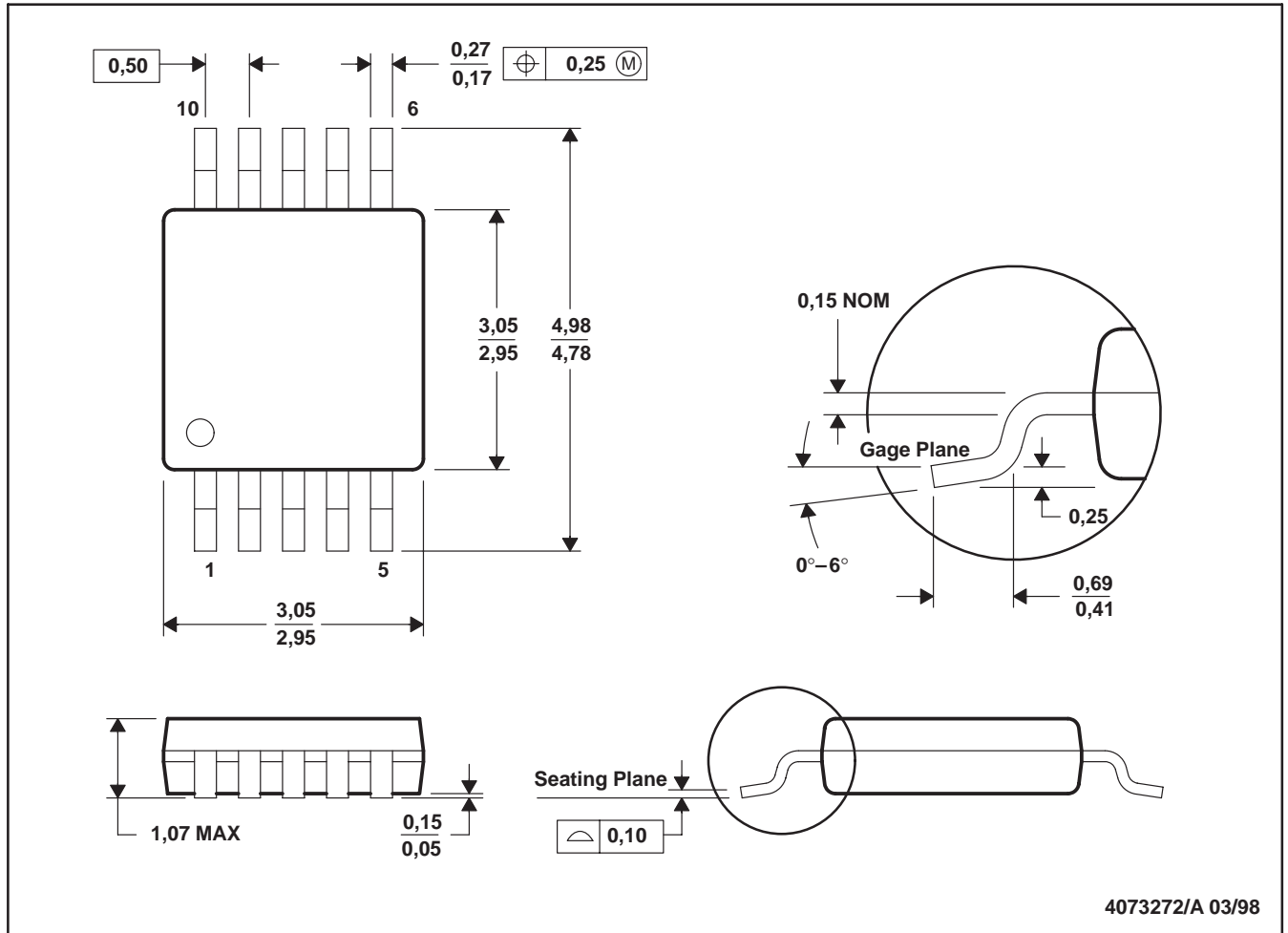
TPS61000, TPS61001, TPS61002, TPS61003, TPS61004, TPS61005, TPS61006
SINGLE-CELL BOOST CONVERTER WITH START-UP INTO FULL LOAD

SLVS279A – MARCH 2000 – REVISED MAY 2000

MECHANICAL DATA

DGS (S-PDSO-G10)

PLASTIC SMALL-OUTLINE PACKAGE



- NOTES: A. All linear dimensions are in millimeters.
B. This drawing is subject to change without notice.
C. Body dimensions do not include mold flash or protrusion.

IMPORTANT NOTICE

Texas Instruments and its subsidiaries (TI) reserve the right to make changes to their products or to discontinue any product or service without notice, and advise customers to obtain the latest version of relevant information to verify, before placing orders, that information being relied on is current and complete. All products are sold subject to the terms and conditions of sale supplied at the time of order acknowledgment, including those pertaining to warranty, patent infringement, and limitation of liability.

TI warrants performance of its semiconductor products to the specifications applicable at the time of sale in accordance with TI's standard warranty. Testing and other quality control techniques are utilized to the extent TI deems necessary to support this warranty. Specific testing of all parameters of each device is not necessarily performed, except those mandated by government requirements.

Customers are responsible for their applications using TI components.

In order to minimize risks associated with the customer's applications, adequate design and operating safeguards must be provided by the customer to minimize inherent or procedural hazards.

TI assumes no liability for applications assistance or customer product design. TI does not warrant or represent that any license, either express or implied, is granted under any patent right, copyright, mask work right, or other intellectual property right of TI covering or relating to any combination, machine, or process in which such semiconductor products or services might be or are used. TI's publication of information regarding any third party's products or services does not constitute TI's approval, warranty or endorsement thereof.