

SN65LVDS386, SN65LVDT386, SN75LVDS386, SN75LVDT386 SN65LVDS388, SN65LVDT388, SN75LVDS388, SN75LVDT388 HIGH-SPEED DIFFERENTIAL LINE RECEIVERS

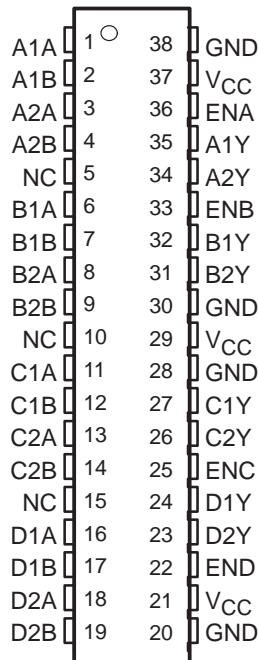
SLLS394A – SEPTEMBER 1999 – REVISED DECEMBER 1999

- Eight ('388) or Sixteen ('386) Line Receivers Meet or Exceed the Requirements of ANSI TIA/EIA-644 Standard
- Integrated 110-Ω Line Termination Resistors on LVDT Products
- Designed for Signaling Rates† Up To 630 Mbps
- SN65 Version's Bus-Terminal ESD Exceeds 15 kV
- Operates From a Single 3.3-V Supply
- Typical Propagation Delay Time of 2.6 ns
- Output Skew 100 ps (Typ)
Part-To-Part Skew is Less Than 1 ns
- LVTTTL Levels are 5-V Tolerant
- Open-Circuit Fail Safe
- Flow-Through Pin Out
- Packaged in Thin Shrink Small-Outline Package With 20-mil Terminal Pitch

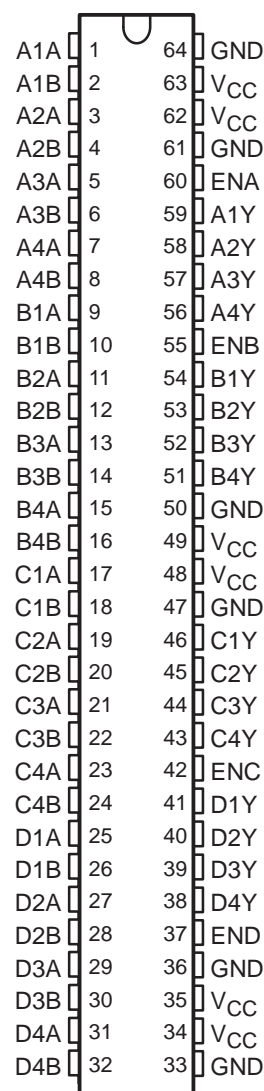
description

The 'LVDS388 and 'LVDT388 (*T* designates integrated termination) are eight and the 'LVDS386 and 'LVDT386 sixteen differential line receivers respectively that implement the electrical characteristics of low-voltage differential signaling (LVDS). This signaling technique lowers the output voltage levels of 5-V differential standard levels (such as EIA/TIA-422B) to reduce the power, increase the switching speeds, and allow operation with a 3-V supply rail. Any of the eight or sixteen differential receivers will provide a valid logical output state with a ± 100 mV differential input voltage within the input common-mode voltage range. The input common-mode voltage range allows 1 V of ground potential difference between two LVDS nodes. Additionally, the high-speed switching of LVDS signals almost always require the use of a line impedance matching resistor at the receiving end of the cable or transmission media. The LVDT products eliminate this external resistor by integrating it with the receiver.

SN65LVDS388, SN75LVDS388
SN65LVDT388, SN75LVDT388
DBT PACKAGE
(TOP VIEW)



SN65LVDS386, SN75LVDS386
SN65LVDT386, SN75LVDT386
DGG PACKAGE
(TOP VIEW)



Please be aware that an important notice concerning availability, standard warranty, and use in critical applications of Texas Instruments semiconductor products and disclaimers thereto appears at the end of this data sheet.

† Signaling rate, 1/t, where t is the minimum unit interval and is expressed in the units bits/s (bits per second)

PRODUCTION DATA information is current as of publication date. Products conform to specifications per the terms of Texas Instruments standard warranty. Production processing does not necessarily include testing of all parameters.



POST OFFICE BOX 655303 • DALLAS, TEXAS 75265

Copyright © 1999, Texas Instruments Incorporated

SN65LVDS386, SN65LVDT386, SN75LVDS386, SN75LVDT386 SN65LVDS388, SN65LVDT388, SN75LVDS388, SN75LVDT388 HIGH-SPEED DIFFERENTIAL LINE RECEIVERS

SLLS394A – SEPTEMBER 1999 – REVISED DECEMBER 1999

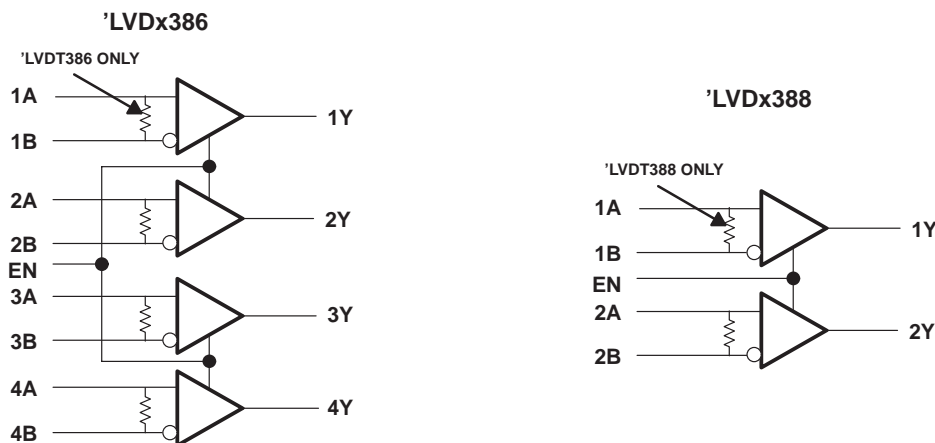
description (continued)

The intended application of this device and signaling technique is for point-to-point baseband data transmission over controlled impedance media of approximately 100 Ω. The transmission media may be printed circuit board traces, backplanes, or cables. The large number of receivers integrated into the same substrate along with the low pulse skew of balanced signaling, allows extremely precise timing alignment of clock and data for synchronous parallel data transfers. When used with its companion, 8- or 16-channel driver, the SN65LVDS389 or SN65LVDS387, over 300 million data transfers per second in single-edge clocked systems are possible with very little power. (Note: The ultimate rate and distance of data transfer is dependent upon the attenuation characteristics of the media, the noise coupling to the environment, and other system characteristics.)

Available Options

Part number	Temperature Range	Number of Receivers	Bus-Pin ESD
SN65LVDS386DGG	-40°C to 85°C	16	15 kV
SN65LVDT386DGG	-40°C to 85°C	16	15 kV
SN75LVDS386DGG	0°C to 70°C	16	4 kV
SN75LVDT386DGG	0°C to 70°C	16	4 kV
SN65LVDS388DBT	-40°C to 85°C	8	15 kV
SN65LVDT388DBT	-40°C to 85°C	8	15 kV
SN75LVDS388DBT	0°C to 70°C	8	4 kV
SN75LVDT388DBT	0°C to 70°C	8	4 kV

logic diagram (positive logic)



Function Table

SNx5LVD386/388 and SNx5LVDT386/388

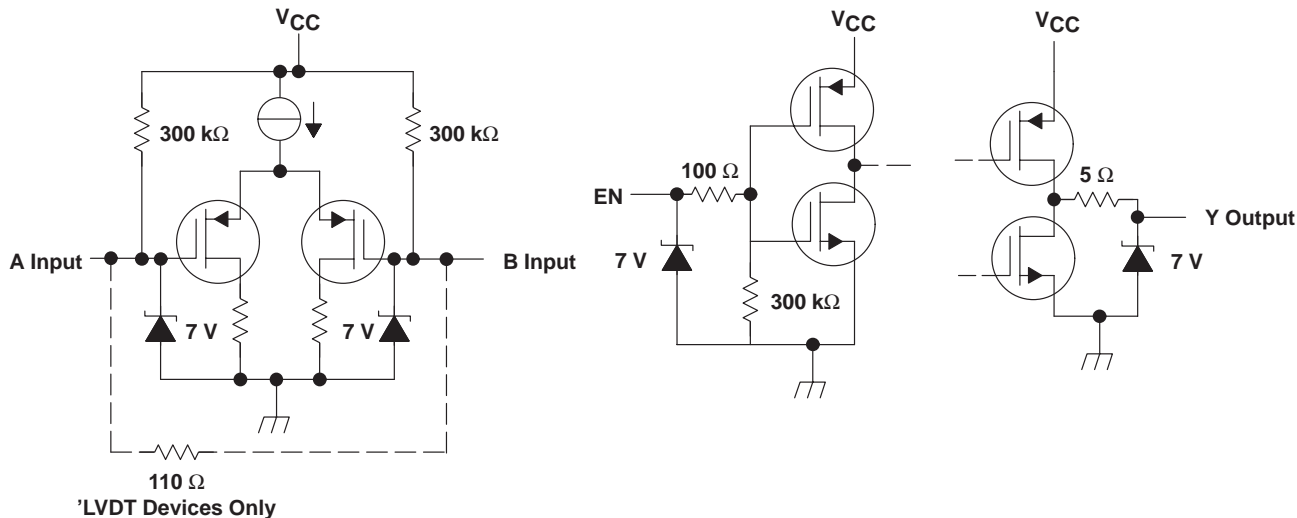
DIFFERENTIAL INPUT	ENABLES	OUTPUT
A-B	EN	Y
$V_{ID} \geq 100 \text{ mV}$	H	H
$-100 \text{ mV} < V_{ID} \leq 100 \text{ mV}$	H	?
$V_{ID} \leq -100 \text{ mV}$	H	L
X	L	Z
Open	H	H

H = high level, L = low level, X = irrelevant,
Z = high impedance (off), ? = indeterminate

SN65LVDS386, SN65LVDT386, SN75LVDS386, SN75LVDT386
 SN65LVDS388, SN65LVDT388, SN75LVDS388, SN75LVDT388
HIGH-SPEED DIFFERENTIAL LINE RECEIVERS

SLLS394A – SEPTEMBER 1999 – REVISED DECEMBER 1999

equivalent input and output schematic diagrams



absolute maximum ratings over operating free-air temperature (unless otherwise noted)†

Supply voltage range, V_{CC} (see Note 1)	-0.5 V to 4 V
Voltage range:	Enables or Y -0.5 V to $V_{CC} + 2$ V
	A or B -0.5 V to 4 V
Electrostatic discharge: (see Note 2)		
	SN65' (A, B, and GND) Class 3, A:15 kV, B: 700 V
	SN65' (All pins) Class 3, A: 8 kV, B:600 V
	SN75' (A, B, and GND) Class 2, A:4 kV, B: 400 V
	SN75' (All pins) Class 2, A: 2 kV, B:200 V
Continuous power dissipation	See Dissipation Rating Table
Storage temperature range	-65°C to 150°C
Lead temperature 1,6 mm (1/16 in) from case for 10 seconds	260°C

† Stresses beyond those listed under “absolute maximum ratings” may cause permanent damage to the device. These are stress ratings only, and functional operation of the device at these or any other conditions beyond those indicated under “recommended operating conditions” is not implied. Exposure to absolute-maximum-rated conditions for extended periods may affect device reliability.

- NOTES: 1. All voltage values, except differential I/O bus voltages, are with respect to network ground terminal.
 2. Tested in accordance with MIL-STD-883C Method 3015.7.

DISSIPATION RATING TABLE

PACKAGE	$T_A \leq 25^\circ\text{C}$	DERATING FACTOR‡ ABOVE $T_A = 25^\circ\text{C}$	$T_A = 70^\circ\text{C}$ POWER RATING	$T_A = 85^\circ\text{C}$ POWER RATING
DBT	1071 mW	8.5 mW/°C	688 mW	556 mW
DGG	2094 mW	16.7 mW/°C	1342 mW	1089 mW

‡ This is the inverse of the junction-to-ambient thermal resistance when board-mounted (low-k) and with no air flow.

**SN65LVDS386, SN65LVDT386, SN75LVDS386, SN75LVDT386
 SN65LVDS388, SN65LVDT388, SN75LVDS388, SN75LVDT388
 HIGH-SPEED DIFFERENTIAL LINE RECEIVERS**

SLLS394A – SEPTEMBER 1999 – REVISED DECEMBER 1999

recommended operating conditions

		MIN	NOM	MAX	UNIT
Supply voltage, V_{CC}		3	3.3	3.6	V
High-level input voltage, V_{IH}		2			V
Low-level input voltage, V_{IL}				0.8	V
Magnitude of differential input voltage, $ V_{ID} $		0.1		0.6	V
Common-mode input voltage, V_{IC} (see Figure 4)		$\frac{ V_{ID} }{2}$		$2.4 - \frac{ V_{ID} }{2}$	V
				$V_{CC} - 0.8$	
Operating free-air temperature, T_A	SN75'	0		70	°C
	SN65'	-40		85	°C



**SN65LVDS386, SN65LVDT386, SN75LVDS386, SN75LVDT386
SN65LVDS388, SN65LVDT388, SN75LVDS388, SN75LVDT388
HIGH-SPEED DIFFERENTIAL LINE RECEIVERS**

SLLS394A – SEPTEMBER 1999 – REVISED DECEMBER 1999

electrical characteristics over recommended operating conditions (unless otherwise noted).

PARAMETER		TEST CONDITIONS	MIN	TYP†	MAX	UNIT		
V _{ITH+}	Positive-going differential input voltage threshold	See Figure 1 and Table 1			100	mV		
V _{ITH-}	Negative-going differential input voltage threshold				-100	mV		
V _{OH}	High-level output voltage	I _{OH} = -8 mA	2.4	3		V		
V _{OL}	Low-level output voltage	I _{OL} = 8 mA		0.2	0.4	V		
I _{CC}	Supply current	Enabled, No load		50	70	mA		
		Disabled			3			
I _I	Input current (A or B inputs)	'LVDS	V _I = 0 V		-13	-20	μA	
			V _I = 2.4 V		-1.2	-3		
		'LVDT	V _I = 0 V, other input open			-40		
			V _I = 2.4 V, other input open		-2.4			
I _{ID}	Differential input current I _{IA} - I _{IB}	'LVDS	V _{IA} = 0 V, V _{IA} = 2.4 V,	V _{IB} = 0.1V, V _{IB} = 2.3 V		±2	μA	
I _{ID}	Differential input current (I _{IA} - I _{IB})	'LVDT	V _{IA} = 0.2 V, V _{IA} = 2.4 V,	V _{IB} = 0V, V _{IB} = 2.2 V	1.5	2.2	mA	
I _{I(OFF)}	Power-off Input current (A or B inputs)	'LVDS	V _{CC} = 0 V,	V _I = 2.4 V		12	±20	μA
I _{I(OFF)}	Power-off Input current (A or B inputs)	'LVDT	V _{CC} = 0 V,	V _I = 2.4 V			±40	μA
I _{IH}	High-level input current (enables)		V _{IH} = 2 V			10		μA
I _{IL}	Low-level input current (enables)		V _{IL} = 0.8 V			10		μA
I _{OZ}	High-impedance output current		V _O = 0 V				±1	μA
			V _O = 3.6 V				10	
C _{IN}	Input Capacitance, A or B input to GND		V _{ID} = 0.4 sin 2.5E09 t V			5		pF
Z(t)	Termination impedance		V _{ID} = 0.4 sin 2.5E09 t V			88	132	Ω

† All typical values are at 25°C and with a 3.3 V supply.

switching characteristics over recommended operating conditions (unless otherwise noted)

PARAMETER		TEST CONDITIONS	MIN	TYP†	MAX	UNIT	
t _{PLH}	Propagation delay time, low-to-high-level output	See Figure 2		1	2.6	4	ns
t _{PHL}	Propagation delay time, high-to-low-level output			1	2.5	4	ns
t _r	Differential output signal rise time			500	800	1200	ps
t _f	Differential output signal fall time			500	800	1200	ps
t _{sk(p)}	Pulse skew (t _{PHL} - t _{PLH})				150	600	ps
t _{sk(o)}	Output skew‡				100	400	ps
t _{sk(pp)}	Part-to-part skew§					1	ns
t _{PZH}	Propagation delay time, high-impedance-to-high-level output	See Figure 3		7	15	ns	
t _{PZL}	Propagation delay time, high-impedance-to-low-level output			7	15	ns	
t _{PHZ}	Propagation delay time, high-level-to-high-impedance output			7	15	ns	
t _{PLZ}	Propagation delay time, low-level-to-high-impedance output			7	15	ns	

† All typical values are at 25°C and with a 3.3 V supply.

‡ t_{sk(o)} is the magnitude of the time difference between the t_{PLH} or t_{PHL} of all drivers of a single device with all of their inputs connected together.

§ t_{sk(pp)} is the magnitude of the difference in propagation delay times between any specified terminals of two devices when both devices operate with the same supply voltages, at the same temperature, and have identical packages and test circuits.



SN65LVDS386, SN65LVDT386, SN75LVDS386, SN75LVDT386
 SN65LVDS388, SN65LVDT388, SN75LVDS388, SN75LVDT388
 HIGH-SPEED DIFFERENTIAL LINE RECEIVERS

SLLS394A – SEPTEMBER 1999 – REVISED DECEMBER 1999

PARAMETER MEASUREMENT INFORMATION

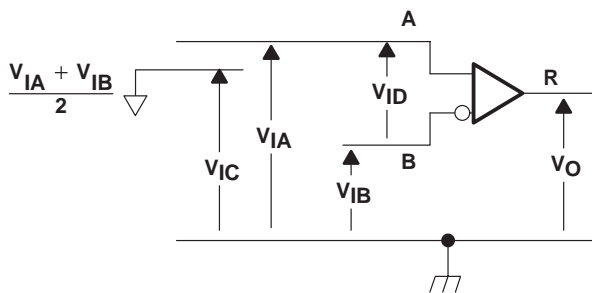
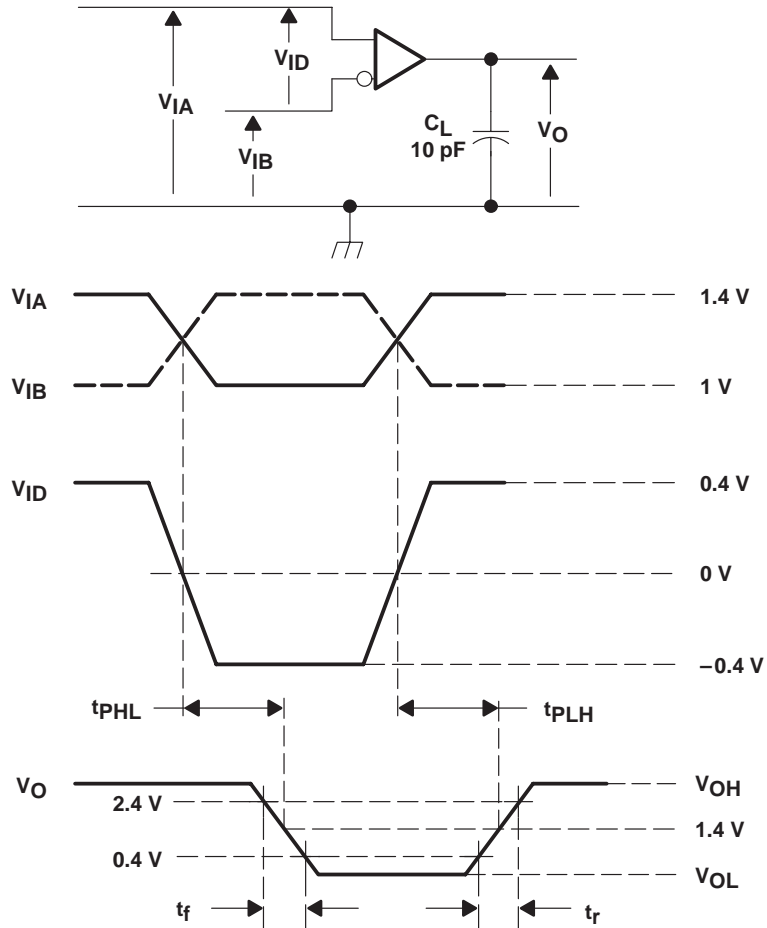


Figure 1. Voltage Definitions

Table 1. Receiver Minimum and Maximum Input Threshold Test Voltages

Applied Voltages		Resulting Differential Input Voltage	Resulting Common-Mode Input Voltage
V_{IA}	V_{IB}	V_{ID}	V_{IC}
1.25 V	1.15 V	100 mV	1.2 V
1.15 V	1.25 V	-100 mV	1.2 V
2.4 V	2.3 V	100 mV	2.35 V
2.3 V	2.4 V	-100 mV	2.35 V
0.1 V	0 V	100 mV	0.05 V
0 V	0.1 V	-100 mV	0.05 V
1.5 V	0.9 V	600 mV	1.2 V
0.9 V	1.5 V	-600 mV	1.2 V
2.4 V	1.8 V	600 mV	2.1 V
1.8 V	2.4 V	-600 mV	2.1 V
0.6 V	0 V	600 mV	0.3 V
0 V	0.6 V	-600 mV	0.3 V

PARAMETER MEASUREMENT INFORMATION



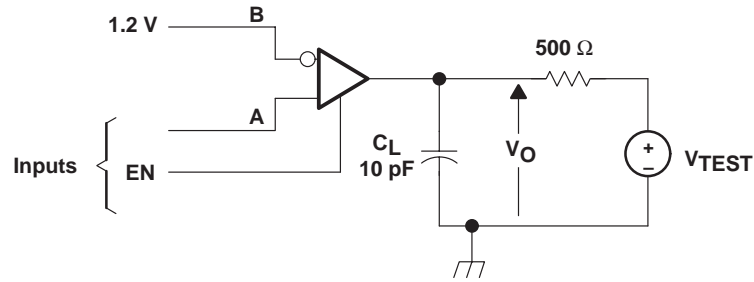
NOTE: All input pulses are supplied by a generator having the following characteristics: t_r or $t_f \leq 1 \text{ ns}$, Pulse Repetition Rate (PRR) = 50 Mpps, Pulse width = $10 \pm 0.2 \text{ ns}$. C_L includes instrumentation and fixture capacitance within 0,06 m of the D.U.T.

Figure 2. Timing Test Circuit and Wave Forms

**SN65LVDS386, SN65LVDT386, SN75LVDS386, SN75LVDT386
 SN65LVDS388, SN65LVDT388, SN75LVDS388, SN75LVDT388
 HIGH-SPEED DIFFERENTIAL LINE RECEIVERS**

SLLS394A – SEPTEMBER 1999 – REVISED DECEMBER 1999

PARAMETER MEASUREMENT INFORMATION



NOTE A: All input pulses are supplied by a generator having the following characteristics: t_r or $t_f \leq 1$ ns, pulse repetition rate (PRR) = 0.5 Mpps, pulse width = 500 ± 10 ns. C_L includes instrumentation and fixture capacitance within 0,06 m of the D.U.T.

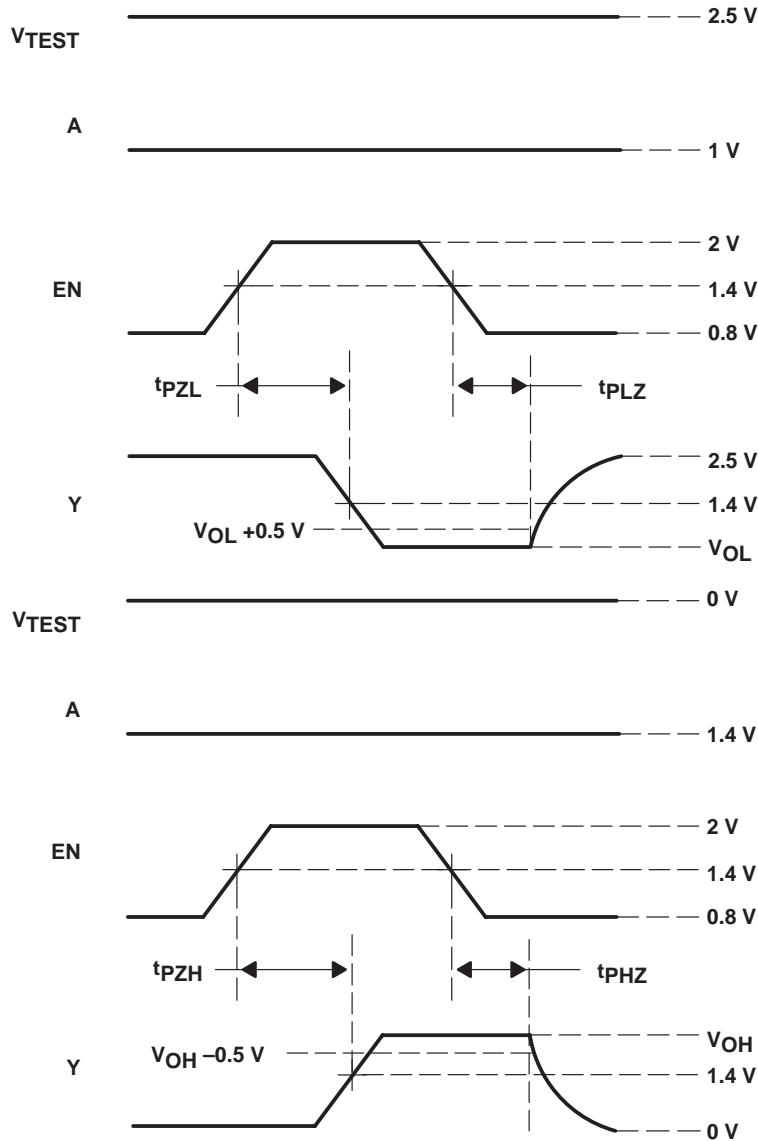
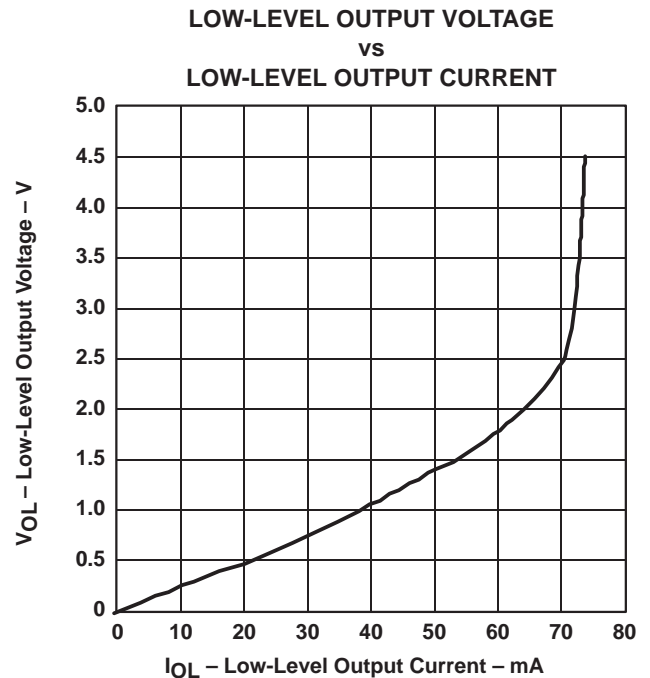
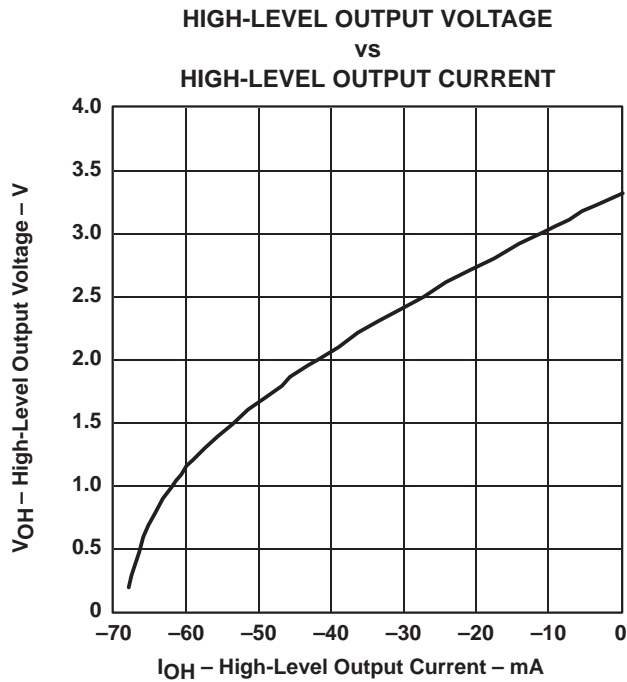
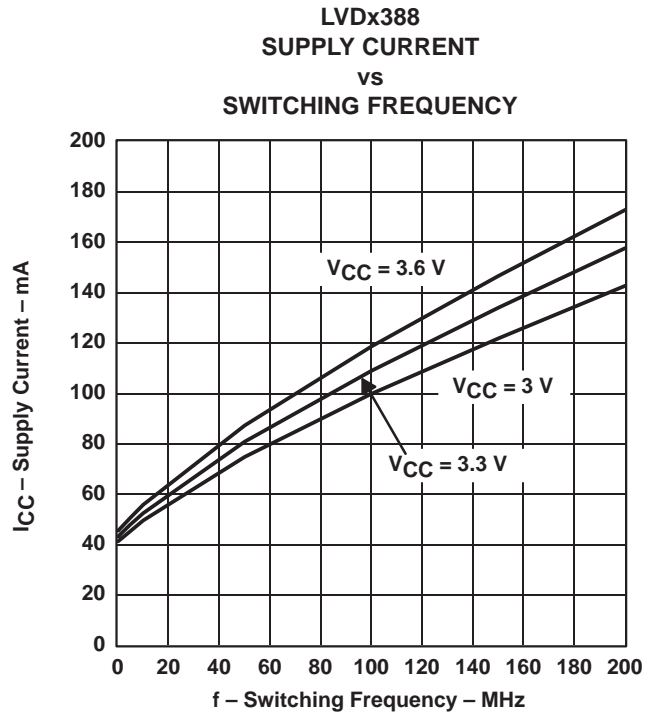
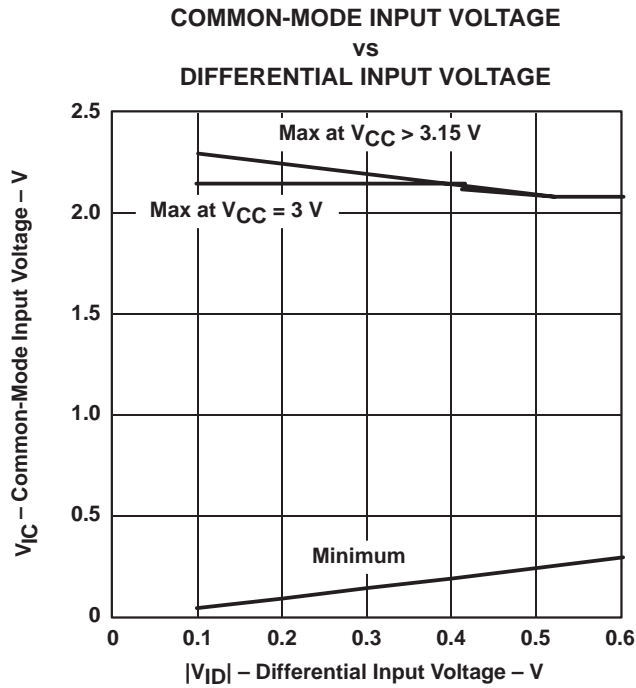


Figure 3. Enable/Disable Time Test Circuit and Wave Forms

TYPICAL CHARACTERISTICS



SN65LVDS386, SN65LVDT386, SN75LVDS386, SN75LVDT386
 SN65LVDS388, SN65LVDT388, SN75LVDS388, SN75LVDT388
 HIGH-SPEED DIFFERENTIAL LINE RECEIVERS

SLLS394A – SEPTEMBER 1999 – REVISED DECEMBER 1999

TYPICAL CHARACTERISTICS

LOW-TO-HIGH PROPAGATION DELAY TIME
 vs
 FREE-AIR TEMPERATURE

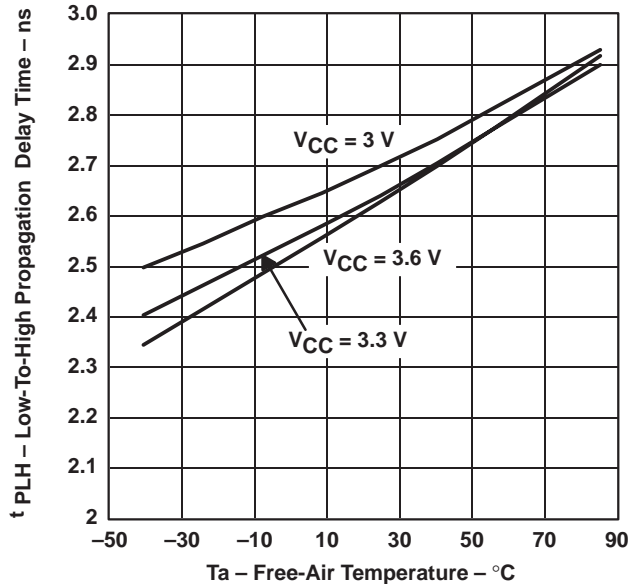


Figure 8

HIGH-TO-LOW PROPAGATION DELAY TIME
 vs
 FREE-AIR TEMPERATURE

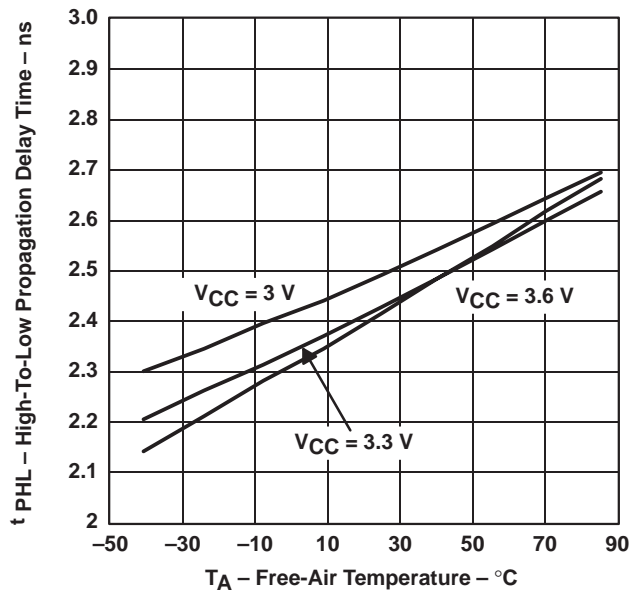


Figure 9



APPLICATION INFORMATION

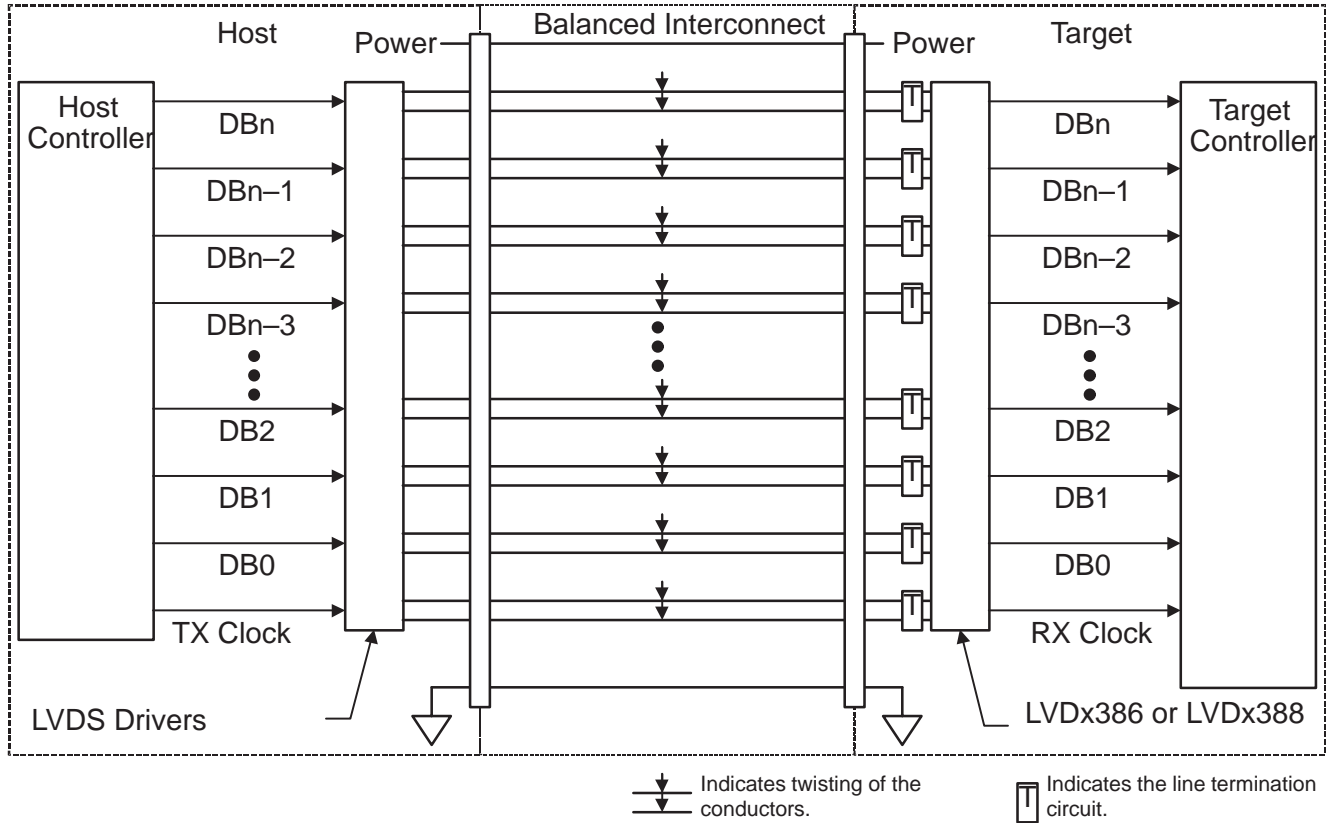


Figure 10. Typical Application Schematic

APPLICATION INFORMATION

fail safe

One of the most common problems with differential signaling applications is how the system responds when no differential voltage is present on the signal pair. The LVDS receiver is like most differential line receivers, in that its output logic state can be indeterminate when the differential input voltage is between -100 mV and 100 mV and within its recommended input common-mode voltage range. TI's LVDS receiver is different in how it handles the open-input circuit situation, however.

Open-circuit means that there is little or no input current to the receiver from the data line itself. This could be when the driver is in a high-impedance state or the cable is disconnected. When this occurs, the LVDS receiver will pull each line of the signal pair to near V_{CC} through $300\text{-k}\Omega$ resistors as shown in Figure 10. The fail-safe feature uses an AND gate with input voltage thresholds at about 2.3 V to detect this condition and force the output to a high-level regardless of the differential input voltage.

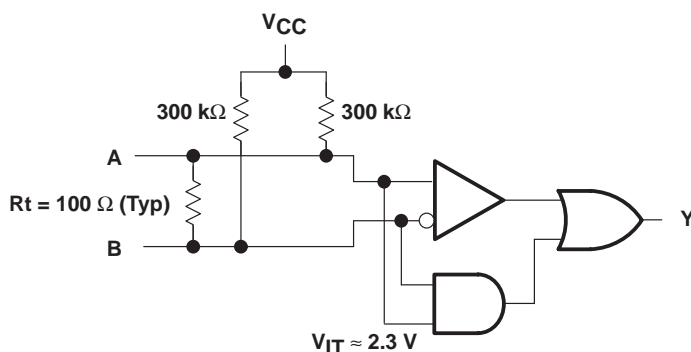


Figure 11. Open-Circuit Fail Safe of the LVDS Receiver

It is only under these conditions that the output of the receiver will be valid with less than a 100 mV differential input voltage magnitude. The presence of the termination resistor, R_t , does not affect the fail-safe function as long as it is connected as shown in the figure. Other termination circuits may allow a dc current to ground that could defeat the pull-up currents from the receiver and the fail-safe feature.

SN65LVDS386, SN65LVDT386, SN75LVDS386, SN75LVDT386
 SN65LVDS388, SN65LVDT388, SN75LVDS388, SN75LVDT388
 HIGH-SPEED DIFFERENTIAL LINE RECEIVERS

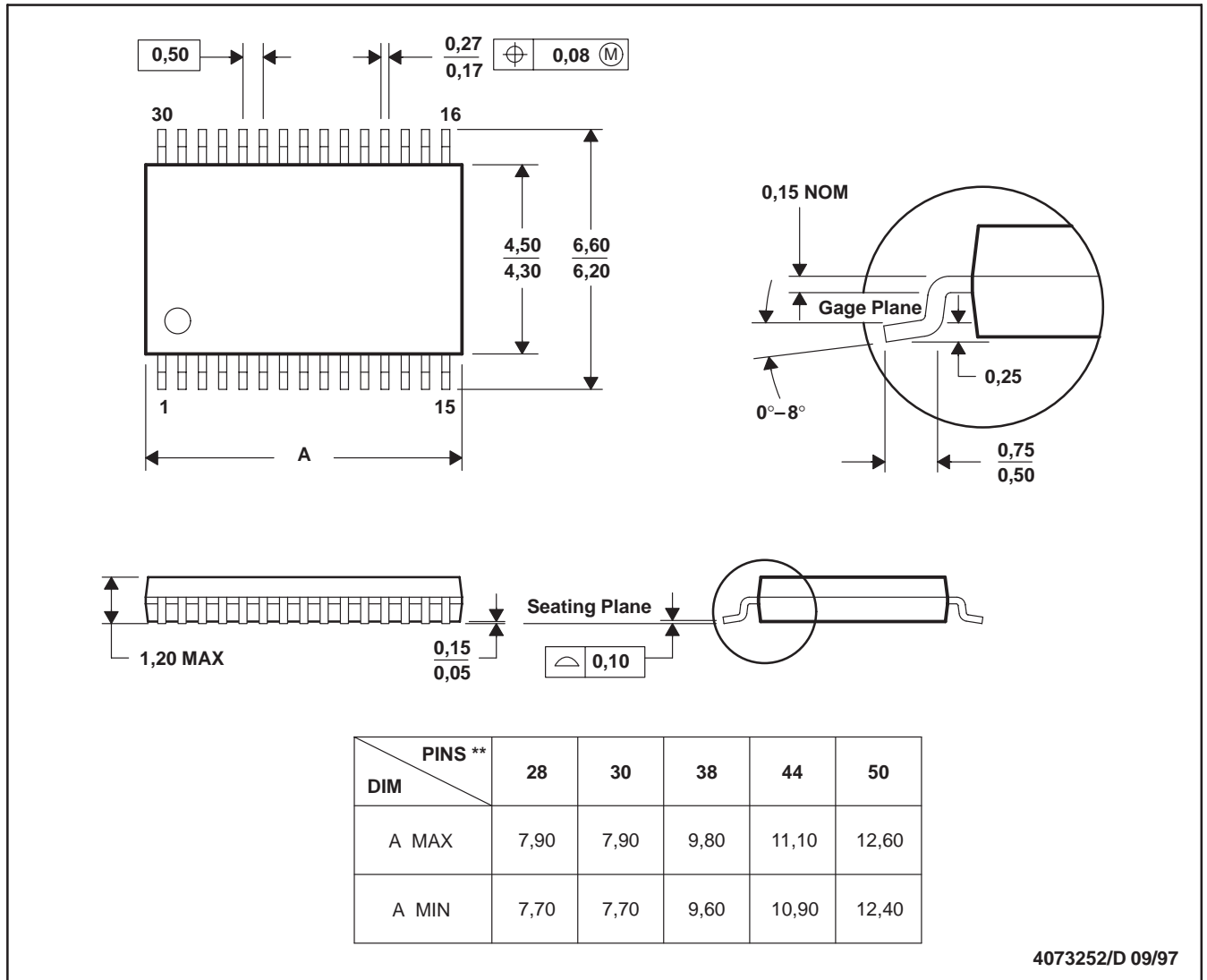
SLLS394A – SEPTEMBER 1999 – REVISED DECEMBER 1999

MECHANICAL DATA

DBT (R-PDSO-G**)

PLASTIC SMALL-OUTLINE PACKAGE

30 PINS SHOWN



- NOTES: A. All linear dimensions are in millimeters.
 B. This drawing is subject to change without notice.
 C. Body dimensions do not include mold flash or protrusion.
 D. Falls within JEDEC MO-153

SN65LVDS386, SN65LVDT386, SN75LVDS386, SN75LVDT386
 SN65LVDS388, SN65LVDT388, SN75LVDS388, SN75LVDT388
 HIGH-SPEED DIFFERENTIAL LINE RECEIVERS

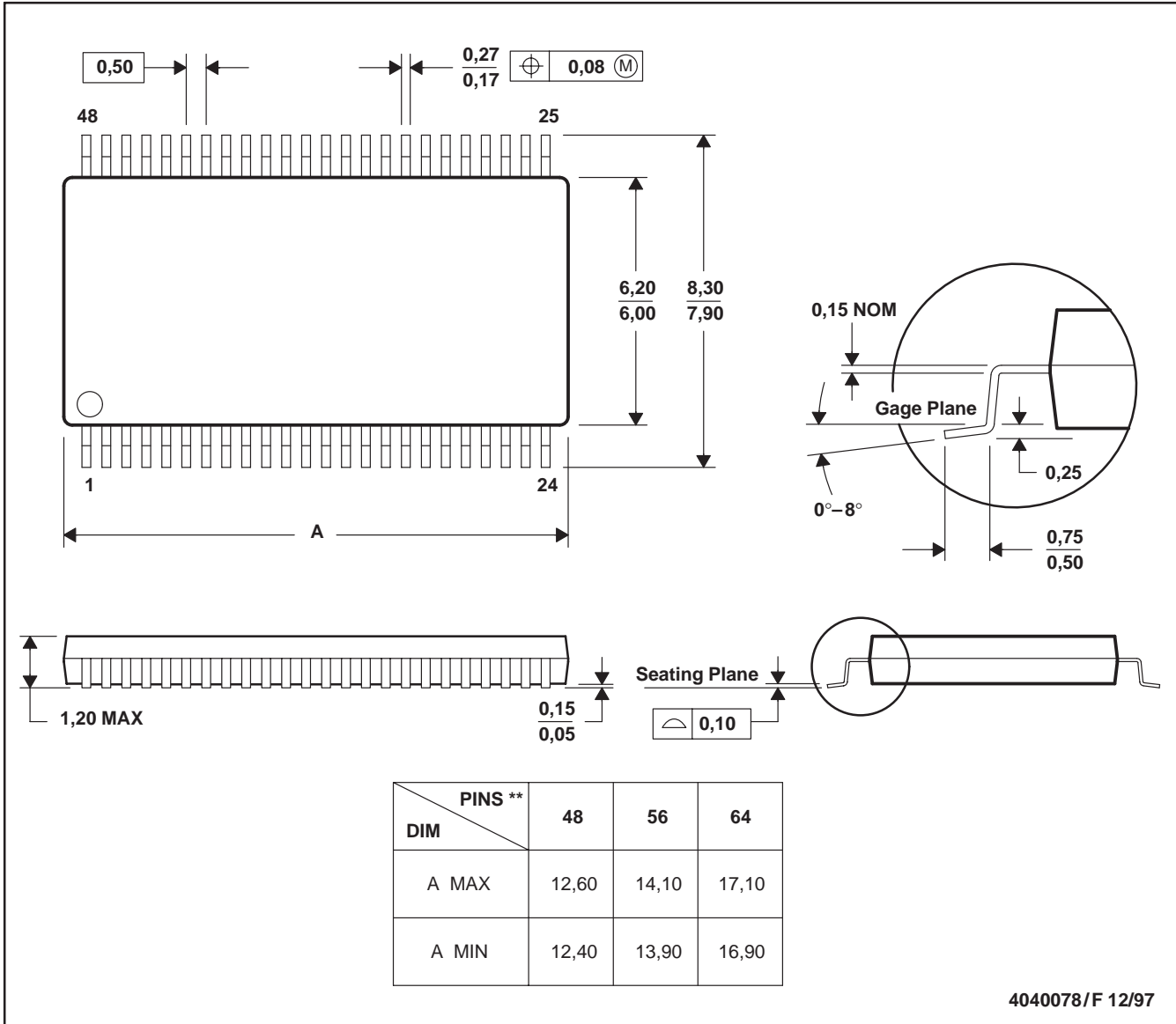
SLLS394A – SEPTEMBER 1999 – REVISED DECEMBER 1999

MECHANICAL DATA

DGG (R-PDSO-G**)

PLASTIC SMALL-OUTLINE PACKAGE

48 PINS SHOWN



4040078/F 12/97

- NOTES: A. All linear dimensions are in millimeters.
 B. This drawing is subject to change without notice.
 C. Body dimensions do not include mold protrusion not to exceed 0,15.
 D. Falls within JEDEC MO-153

IMPORTANT NOTICE

Texas Instruments and its subsidiaries (TI) reserve the right to make changes to their products or to discontinue any product or service without notice, and advise customers to obtain the latest version of relevant information to verify, before placing orders, that information being relied on is current and complete. All products are sold subject to the terms and conditions of sale supplied at the time of order acknowledgement, including those pertaining to warranty, patent infringement, and limitation of liability.

TI warrants performance of its semiconductor products to the specifications applicable at the time of sale in accordance with TI's standard warranty. Testing and other quality control techniques are utilized to the extent TI deems necessary to support this warranty. Specific testing of all parameters of each device is not necessarily performed, except those mandated by government requirements.

CERTAIN APPLICATIONS USING SEMICONDUCTOR PRODUCTS MAY INVOLVE POTENTIAL RISKS OF DEATH, PERSONAL INJURY, OR SEVERE PROPERTY OR ENVIRONMENTAL DAMAGE ("CRITICAL APPLICATIONS"). TI SEMICONDUCTOR PRODUCTS ARE NOT DESIGNED, AUTHORIZED, OR WARRANTED TO BE SUITABLE FOR USE IN LIFE-SUPPORT DEVICES OR SYSTEMS OR OTHER CRITICAL APPLICATIONS. INCLUSION OF TI PRODUCTS IN SUCH APPLICATIONS IS UNDERSTOOD TO BE FULLY AT THE CUSTOMER'S RISK.

In order to minimize risks associated with the customer's applications, adequate design and operating safeguards must be provided by the customer to minimize inherent or procedural hazards.

TI assumes no liability for applications assistance or customer product design. TI does not warrant or represent that any license, either express or implied, is granted under any patent right, copyright, mask work right, or other intellectual property right of TI covering or relating to any combination, machine, or process in which such semiconductor products or services might be or are used. TI's publication of information regarding any third party's products or services does not constitute TI's approval, warranty or endorsement thereof.