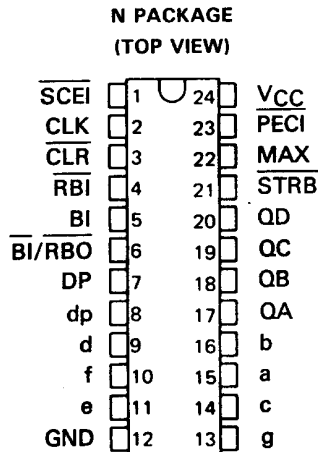


SN74143

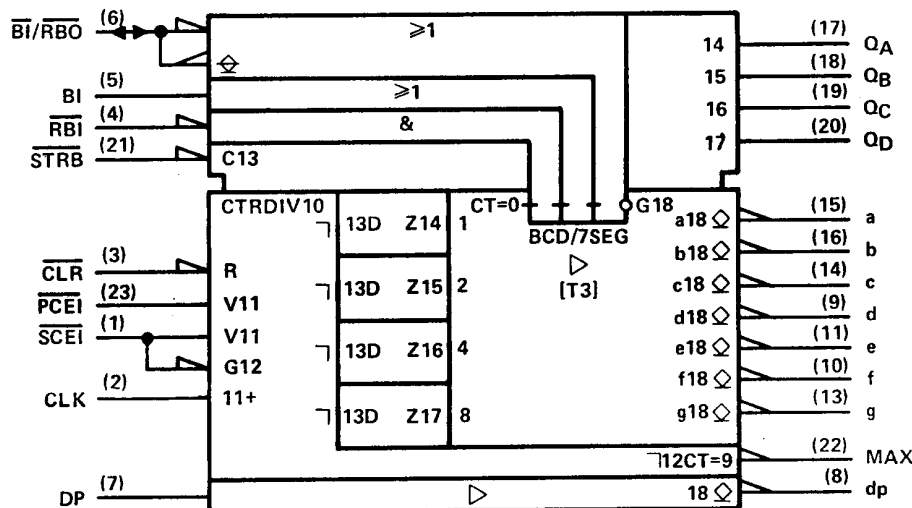
4-BIT COUNTER/LATCH, SEVEN-SEGMENT LED/LAMP DRIVER

SDLS050 – NOVEMBER 1971 – REVISED MARCH 1988

- **15-mA Constant-Current Outputs**
For Driving Common-Anode LEDs such as TIL302 or TIL303 Without Series Resistors
- **Universal Logic Capabilities**
Ripple Blanking of Extraneous Zeros
Latch Outputs Can Drive Logic Processors Simultaneously
Decimal Point Driver Is Included
- **Synchronous BCD Counter Capability**
Cascadable to N-Bits
Look-Ahead-Enable Techniques Minimize Speed Degradation When Cascaded for Large-Word Display
Direct Clear Input



logic symbol†



†This symbol is in accordance with ANSI/IEEE Std 91-1984 and IEC Publication 617-12.

description

This TTL MSI circuit contains the equivalent of 86 gates on a single chip. Logic inputs and outputs are completely TTL compatible. The buffered inputs are implemented with relatively large resistors in series with the bases of the input transistors to lower drive-current requirements to one-half of that required for a standard Series 54/74 TTL input. The serial-count-enable, actually two internal emitters, is rated as one standard Series 54/74 load. The logic outputs, except \overline{RBO} , have active pull-ups.

The SN74143 driver output is designed specifically to maintain a relatively constant on-level sink current of approximately 15 milliamperes from output "a" through "g" and seven milliamperes from output "dp" over a voltage range from one to five volts. Any number of LED's in series may be driven as long as the output voltage rating is not exceeded.

All inputs are diode-clamped to minimize transmission-line effects, thereby simplifying system design. Maximum clock frequency is typically 18 megahertz and power dissipation is typically 280 milliwatts. The SN74143 is characterized for operation from 0°C to 70°C.

PRODUCTION DATA information is current as of publication date. Products conform to specifications per the terms of Texas Instruments standard warranty. Production processing does not necessarily include testing of all parameters.



POST OFFICE BOX 655303 • DALLAS, TEXAS 75265

Copyright © 1988, Texas Instruments Incorporated

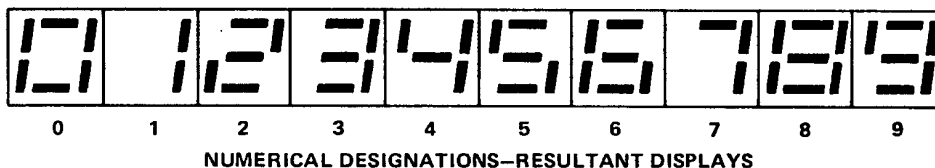
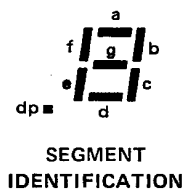
SN74143 4-BIT COUNTER/LATCH, SEVEN-SEGMENT LED/LAMP DRIVER

SDLS050 – NOVEMBER 1971 – REVISED MARCH 1988

description (continued)

Functions of the inputs and outputs of these devices are as follows:

FUNCTION	PIN NO.	DESCRIPTION
CLEAR INPUT	3	When low, resets and holds counter at 0. Must be high for normal counting.
CLOCK INPUT	2	Each positive-going transition will increment the counter provided that the circuit is in the normal counting mode (serial and parallel count enable inputs low, clear input high).
PARALLEL COUNT ENABLE INPUT (PCEI)	23	Must be low for normal counting mode. When high, counter will be inhibited. Logic level must not be changed when the clock is low.
SERIAL COUNT ENABLE INPUT (SCEI)	1	Must be low for normal counting mode, also must be low to enable maximum count output to go low. When high, counter will be inhibited and maximum count output will be driven high. Logic level must not be changed when the clock is low.
MAXIMUM COUNT OUTPUT	22	Will go low when the counter is at 9 and serial count enable input is low. Will return high when the counter changes to 0 and will remain high during counts 1 through 8. Will remain high (inhibited) as long as serial count enable input is high.
LATCH STROBE INPUT	21	When low, data in latches follow the data in the counter. When high, the data in the latches are held constant, and the counter may be operated independently.
LATCH OUTPUTS (QA, QB, QC, QD)	17, 18, 19, 20	The BCD data that drives the decoder can be stored in the 4-bit latch and is available at these outputs for driving other logic and/or processors. The binary weights of the outputs are: QA = 1, QB = 2, QC = 4, QD = 8.
DECIMAL POINT INPUT	7	Must be high to display decimal point. The decimal point is not displayed when this input is low or when the display is blanked.
BLANKING INPUT (BI)	5	When high, will blank (turn off) the entire display and force \overline{RBO} low. Must be low for normal display. May be pulsed to implement intensity control of the display.
RIPPLE-BLANKING INPUT (\overline{RBI})	4	When the data in the latches is BCD 0, a low input will blank the entire display and force the \overline{RBO} low. This input has no effect if the data in the latches is other than 0.
RIPPLE-BLANKING OUTPUT (\overline{RBO})	6	Supplies ripple blanking information for the ripple blanking input of the next decade. Provides a low if \overline{RBI} is high, or if \overline{RBI} is low and the data in the latches is BCD 0; otherwise, this output is high. This pin has a resistive pull-up circuit suitable for performing a wire-AND function with any open-collector output. Whenever this pin is low the entire display will be blanked; therefore, this pin may be used as an active-low blanking input.
LED/LAMP DRIVER OUTPUTS (a, b, c, d, e, f, g, dp)	15, 16, 14, 9, 11, 10, 13, 8	Outputs for driving seven-segment LED's or lamps and their decimal points. See segment identification and resultant displays on following page.



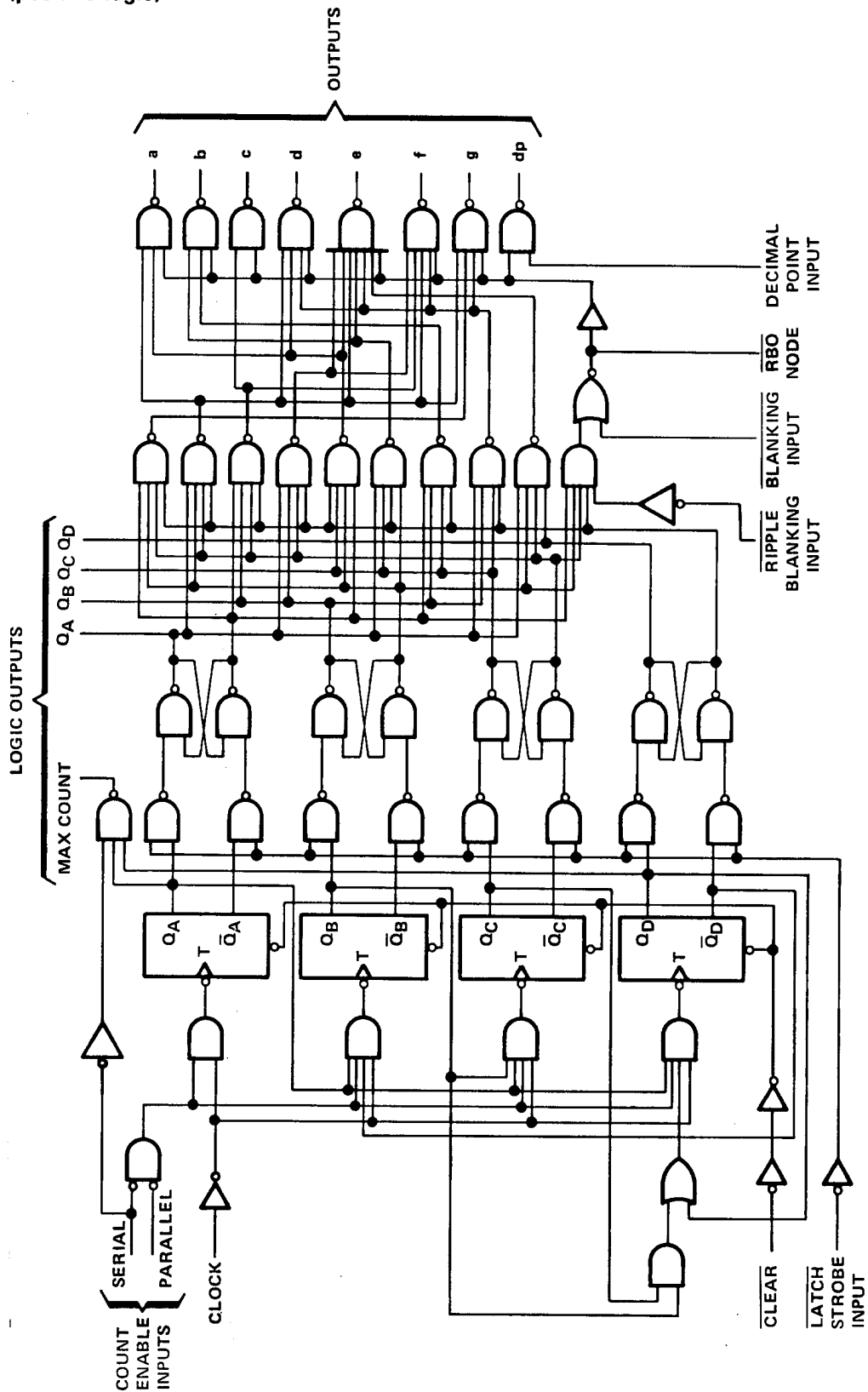
POST OFFICE BOX 655303 • DALLAS, TEXAS 75265

SN74143

4-BIT COUNTER/LATCH, SEVEN-SEGMENT LED/LAMP DRIVER

SDLS050 – NOVEMBER 1971 – REVISED MARCH 1988

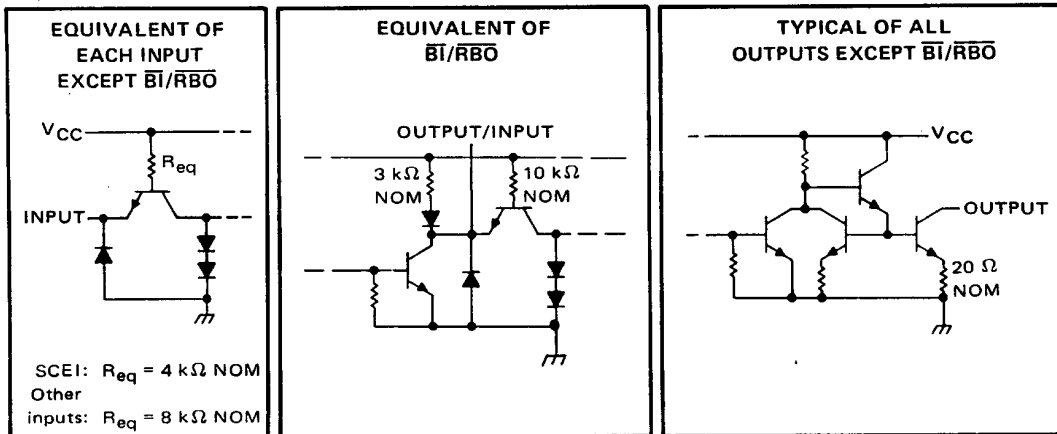
logic diagram (positive logic)



SN74143 4-BIT COUNTER/LATCH, SEVEN-SEGMENT LED/LAMP DRIVER

SDLS050 – NOVEMBER 1971 – REVISED MARCH 1988

schematics of inputs and outputs



absolute maximum ratings over operating free-air temperature range (unless otherwise noted)

Supply voltage, V_{CC} (see Note 1)	7 V
Input voltage	5.5 V
Off-state current at outputs "a" thru "g" and "dp"	250 μA
Continuous total power dissipation at (or below) 70°C free-air temperature (see Note 2)	1.4 W
Operating free-air temperature range	0°C to 70°C
Storage temperature range	-65°C to 150°C

NOTE 1: Voltage values are with respect to network ground terminal.

recommended operating conditions

	MIN	NOM	MAX	UNIT
Supply voltage, V_{CC}	4.75	5	5.25	V
On-state voltage at outputs a thru g and dp ('143 only)	1		5	V
High-level output current, I_{OH}	Q_A, Q_B, Q_C, Q_D		-240	μA
	Maximum count		-560	
	\overline{RBO}		-120	
Low-level output current, I_{OL}	$Q_A, Q_B, Q_C, Q_D, \overline{RBO}$		4.8	mA
	Maximum count		11.2	
Clock pulse width, $t_w(\text{clock})$	High logic level	25		ns
	Low logic level	55		
Clear pulse width, $t_w(\text{clear})$		25		ns
Setup time, t_{su}	Serial and parallel carry	30 [†]		ns
	Clear inactive state	60 [†]		
Operating free-air temperature, T_A	0		70	°C

[†] The arrow indicates that the rising edge of the clock pulse is used for reference.

SN74143

4-BIT COUNTER/LATCH, SEVEN-SEGMENT LED/LAMP DRIVER

SDLS050 – NOVEMBER 1971 – REVISED MARCH 1988

electrical characteristics over recommended operating free-air temperature range (unless otherwise noted)

PARAMETER		TEST CONDITIONS†	MIN	TYP‡	MAX	UNIT		
V _{IH}	High-level input voltage		2			V		
V _{IL}	Low-level input voltage				0.8	V		
V _{IK}	Input clamp voltage	V _{CC} = MIN, I _I = -12 mA			-1.5	V		
V _{OH}	High-level output voltage	\overline{RBO}	V _{CC} = MIN, V _{IH} = 2 V, V _{IL} = 0.8 V, I _{OH} = MAX	2.4		V		
		Q _A , Q _B , Q _C , Q _D						
		Maximum count						
V _{OL}	Low-level output voltage	Q _A , Q _B , Q _C , \overline{RBO}	V _{CC} = MIN, V _{IH} = 2 V, V _{IL} = 0.8 V, I _{OL} = MAX		0.4	V		
		Maximum count						
V _{O(off)}	Off-state output voltage	Outputs a thru g, dp	V _{CC} = MAX, I _{OH} = 250 μ A	7		V		
V _{O(on)}	On-state output voltage	Outputs a thru g, dp	V _{CC} = MIN			V		
I _{O(on)}	On-state output current	Outputs a thru g	V _{CC} = MIN, V _O = 1 V	9	15	mA		
			V _{CC} = 5 V, V _O = 2 V		15			
			V _{CC} = MAX, V _O = 5 V		15		22	
		Output dp	V _{CC} = MIN, V _O = 1 V	4.5	7			
			V _{CC} = 5 V, V _O = 2 V		7			
			V _{CC} = MAX, V _O = 5 V		7		12	
I _I	Input current at maximum input voltage	V _{CC} = MAX, V _I = 5.5 V			1	mA		
I _{IH}	High-level input current	Serial carry	V _{CC} = MAX, V _I = 2.4 V			40	μ A	
		\overline{RBO} node		-0.12	-0.5		mA	
		Other inputs				20	μ A	
I _{IL}	Low-level input current	Serial carry	V _{CC} = MAX, V _I = 0.4 V, See Note 3			-1.6		
		\overline{RBO} node				-1.5	-2.4	mA
		Other inputs					-0.8	
I _{OS}	Short-circuit output current	Q _A , Q _B , Q _C , Q _D	V _{CC} = MAX			-9	-27.5	mA
		Maximum count				-15	-55	
I _{CC}	Supply current		V _{CC} = MAX, See Note 4			56	93	mA

† For conditions shown as MIN or MAX, use the appropriate value specified under recommended operating conditions for the applicable type.

‡ All typical values are at V_{CC} = 5 V, T_A = 25°C.

NOTES: 3. I_{IL} at \overline{RBO} node is tested with \overline{BI} grounded and RBI at 4.5 V.

4. I_{CC} is measured after the following conditions are established:

- a) \overline{STROBE} = RBI = DP = 4.5 V
- b) Parallel count enable = serial count enable = \overline{BI} = GND
- c) Clear () then clock until all outputs are on ()
- d) Outputs "a" through "g" and "dp" at 2.5 V, all other outputs open.

switching characteristics, V_{CC} = 5 V, T_A = 25°C

PARAMETER	FROM (INPUT)	TO (OUTPUT)	TEST CONDITIONS	MIN	TYP	MAX	UNIT
f _{max}				12	18		MHz
t _{PLH}	Serial look-ahead	Maximum count	C _L = 15 pF, R _L = 560 Ω , See Note 5		12	20	ns
t _{PHL}					23	35	
t _{PLH}	Clock	Maximum count			26	40	ns
t _{PHL}					29	45	
t _{PLH}	Clock	Q _A , Q _B , Q _C , Q _D	C _L = 15 pF, R _L = 1.2 k Ω ,		28	45	ns
t _{PHL}							



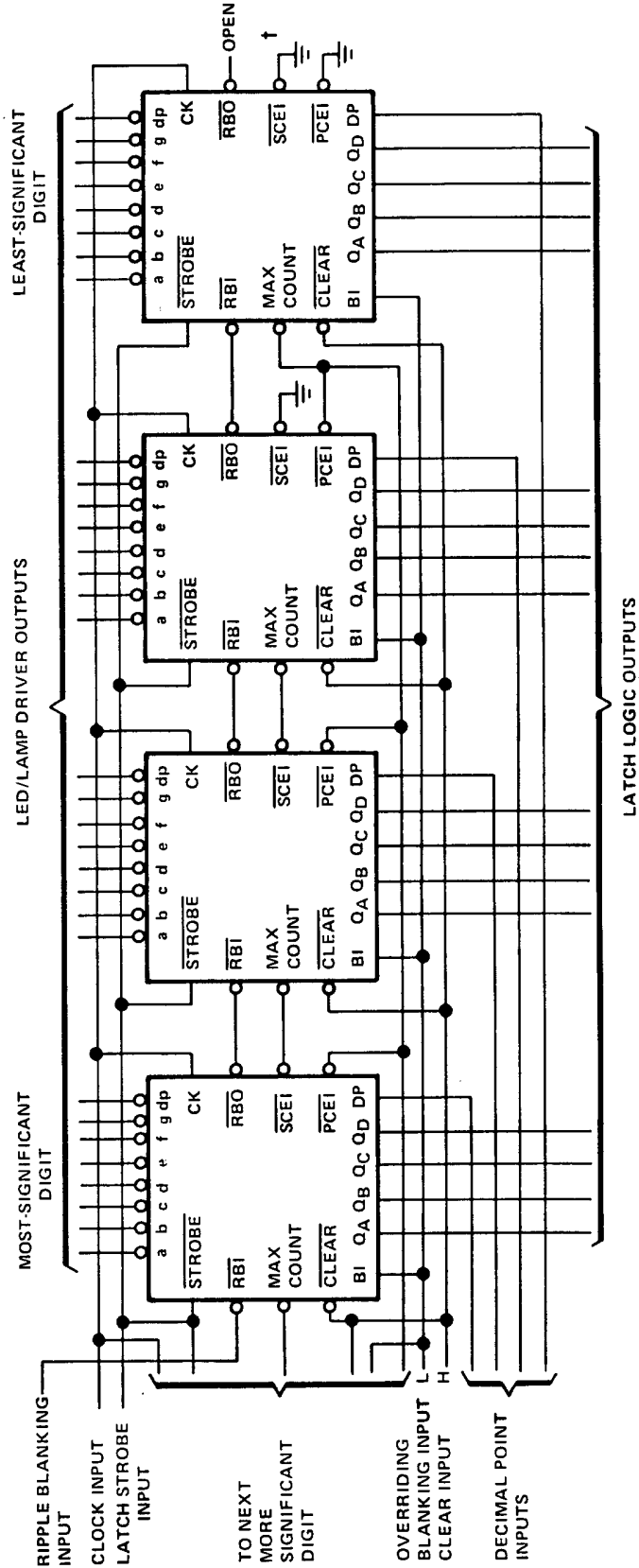
SN74143 4-BIT COUNTER/LATCH, SEVEN-SEGMENT LED/LAMP DRIVER

SDLS050 – NOVEMBER 1971 – REVISED MARCH 1988

TYPICAL APPLICATION DATA

This application demonstrates how the drivers may be cascaded for N-bit display applications. It features:

- Synchronous, look-ahead counting
- Ripple blanking of leading zeros; blanking of trailing zeros (not illustrated) can also be implemented
- Overriding blanking for total suppression or intensity modulation of display
- Direct parallel clear
- Latch strobe permits counter to acquire next display while viewing current display



†The serial count-enable input of the least-significant digit is normally grounded; however, it may be used as a count-enable control for the entire counter (high to disable, low to count) provided the logic level on this pin is not changed while the clock line is low or false counting may result.

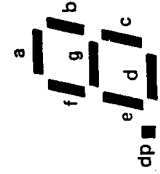
SN74143

4-BIT COUNTER/LATCH, SEVEN-SEGMENT LED/LAMP DRIVER

SDLS050 – NOVEMBER 1971 – REVISED MARCH 1988

FUNCTION TABLE

FUNCTION	CLOCK PULSE	INPUTS						OUTPUTS						TYPICAL DISPLAY	NOTES							
		CLEAR	LATCH STROBE	RBI	BT	DECIMAL INPUT	SERIAL CARRY	PARALLEL CARRY	RBI/RBO	MAXIMUM COUNT OUTPUT	LATCH QD QC QB QA	a	b			c	d	e	f	g	dp	
Clear/Ripple Blank		L	L	L	X	X	X	X	L	H	L L L L	L	L	L	L	L	L	L	L	L	None	A, E
Blank		H	L	X	H	X	X	X	L	H	L L L L	L	L	L	L	L	L	L	L	L	None	A, D, E
Decimal	0	H	L	H	L	H	L	L	H	H	L L L L	H	L	L	L	L	L	L	L	L	0	B
	1	H	L	H	L	L	L	L	H	H	L L L H	H	L	L	L	L	L	L	L	L	1	B
	2	H	L	H	L	L	L	L	H	H	L L H L	H	L	L	L	L	L	L	L	L	2	B
	3	H	L	H	L	L	L	L	H	H	L L H H	H	L	L	L	L	L	L	L	L	3	B
	4	H	L	H	L	L	L	L	H	H	L H L L	H	L	L	L	L	L	L	L	L	4	B
	5	H	L	H	L	L	L	L	H	H	L H L H	H	L	L	L	L	L	L	L	L	5	B
	6	H	L	H	L	L	L	L	H	H	L H H L	H	L	L	L	L	L	L	L	L	6	B
	7	H	L	H	L	L	L	L	H	H	L H H H	H	L	L	L	L	L	L	L	L	7	B
	8	H	L	H	L	L	L	L	H	H	H L L L	H	L	L	L	L	L	L	L	L	8	B
	9	H	L	H	L	L	L	L	H	H	H L L H	H	L	L	L	L	L	L	L	L	9	B
	0	H	L	H	L	L	L	L	H	H	L L L L	H	L	L	L	L	L	L	L	L	0	B, C
	1	H	L	H	L	L	L	L	H	H	L L L H	H	L	L	L	L	L	L	L	L	1	B
	2	H	L	H	L	L	L	L	H	H	L L H L	H	L	L	L	L	L	L	L	L	2	B
	3	H	L	H	L	L	L	L	H	H	L L H H	H	L	L	L	L	L	L	L	L	3	B
	4	H	L	H	L	L	L	L	H	H	L H L L	H	L	L	L	L	L	L	L	L	4	B
	5	H	L	H	L	L	L	L	H	H	L H L H	H	L	L	L	L	L	L	L	L	5	B
Latch	6	H	H	H	L	L	L	L	H	H	L H L H	H	L	L	L	L	L	L	L	L	6	B
Latch	7	H	H	H	L	L	L	L	H	H	L H L H	H	L	L	L	L	L	L	L	L	7	B
	8	H	L	H	L	L	L	L	H	H	H L L L	H	L	L	L	L	L	L	L	L	8	B
	9	H	L	H	L	L	L	L	H	H	H L L H	H	L	L	L	L	L	L	L	L	9	B
Ripple Blank	0	H	L	L	X	L	L	L	L	L	L L L L	L	L	L	L	L	L	L	L	L	None	A, B, E



- NOTES:
- A. $\overline{RBI}/\overline{RBO}$ is wire-AND logic serving as ripple blanking input (\overline{RBI}) and/or ripple blanking output (\overline{RBO}).
 - B. The blanking input (\overline{BT}) must be low when functions DECIMAL/0 through 20/RIPPLE BLANK are desired.
 - C. The ripple-blanking input (\overline{RBI}) must be open or high to display a zero during the decimal 0 input.
 - D. When a high logic level is applied directly to the blanking input (\overline{BT}) all segment outputs are off regardless of any other input condition.
 - E. When the ripple-blanking input (\overline{RBI}) and outputs Q_A through Q_D are at a low logic level, all segment outputs are off and the ripple-blanking output (\overline{RBO}) goes to a low logic level (response condition).

SEGMENT IDENTIFICATION



IMPORTANT NOTICE

Texas Instruments and its subsidiaries (TI) reserve the right to make changes to their products or to discontinue any product or service without notice, and advise customers to obtain the latest version of relevant information to verify, before placing orders, that information being relied on is current and complete. All products are sold subject to the terms and conditions of sale supplied at the time of order acknowledgment, including those pertaining to warranty, patent infringement, and limitation of liability.

TI warrants performance of its products to the specifications applicable at the time of sale in accordance with TI's standard warranty. Testing and other quality control techniques are utilized to the extent TI deems necessary to support this warranty. Specific testing of all parameters of each device is not necessarily performed, except those mandated by government requirements.

Customers are responsible for their applications using TI components.

In order to minimize risks associated with the customer's applications, adequate design and operating safeguards must be provided by the customer to minimize inherent or procedural hazards.

TI assumes no liability for applications assistance or customer product design. TI does not warrant or represent that any license, either express or implied, is granted under any patent right, copyright, mask work right, or other intellectual property right of TI covering or relating to any combination, machine, or process in which such products or services might be or are used. TI's publication of information regarding any third party's products or services does not constitute TI's approval, license, warranty or endorsement thereof.

Reproduction of information in TI data books or data sheets is permissible only if reproduction is without alteration and is accompanied by all associated warranties, conditions, limitations and notices. Representation or reproduction of this information with alteration voids all warranties provided for an associated TI product or service, is an unfair and deceptive business practice, and TI is not responsible nor liable for any such use.

Resale of TI's products or services with statements different from or beyond the parameters stated by TI for that product or service voids all express and any implied warranties for the associated TI product or service, is an unfair and deceptive business practice, and TI is not responsible nor liable for any such use.

Also see: [Standard Terms and Conditions of Sale for Semiconductor Products](http://www.ti.com/sc/docs/stdterms.htm). www.ti.com/sc/docs/stdterms.htm

Mailing Address:

Texas Instruments
Post Office Box 655303
Dallas, Texas 75265