

1.3 GHz Prescaler for PLL's in TV, CATV and SAT TV Tuners

Technology: Bipolar

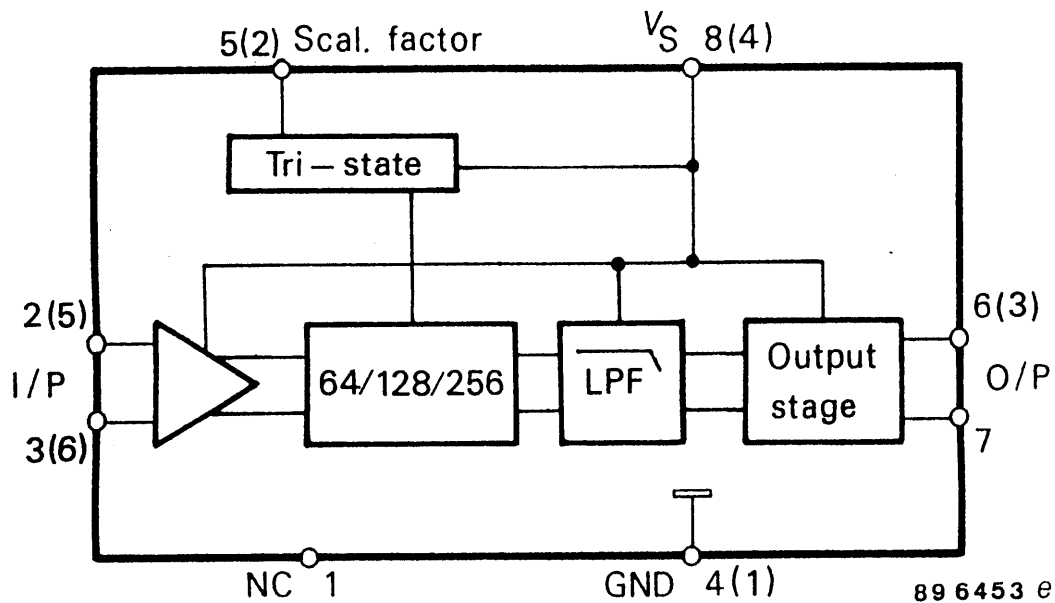
Features

- Extrem low current consumption (typ. 18 mA)
- Output harmonics strongly reduced
- 3 scaling factors 64/128/256 programmable at Pin 5
- High input sensitivity
- Emitter follower output stage
- Electrostatic protection according to MIL-STD. 883
- Pin compatible to U833BSE

Case

- | | |
|---------------------------|--------------|
| 8 pin dual inline plastic | (U893BSE) |
| 8 pin SO plastic | (U893BSE-FP) |
| 6 pin SIP plastic | (U893BSE-SP) |

Block Diagram



Pin Configuration

Pin	Function (DIP8, SO8)
1	n.c.
2, 3	Input
4	Ground
5	Switch 64/128/256
6, 7	Output
8	V_S

Pin	Function (SIP6)
1	Ground
2	Switch 64/128/256
3	Output
4	V_S
5, 6	Input

Absolute Maximum Ratings

Reference point Pin 4 (1), unless otherwise specified

Parameters	Symbol	Value	Unit
Supply voltage Pin 8 (4)	V_S	6	V
Input voltage range Pin 2, 3, 5 (2, 5, 6)	V_i	0 to V_S	V
Junction temperature	T_j	125	°C
Ambient temperature range	T_{amb}	-25 to +85	°C
Storage temperature range	T_{stg}	-40 to +125	°C

Thermal Resistance

Parameters	Symbol	Maximum	Unit
Junction ambient DIP8	R_{thJA}	100	K/W
SIP6	R_{thJA}	100	K/W
SO8	R_{thJA}	175	K/W

Electrical Characteristics

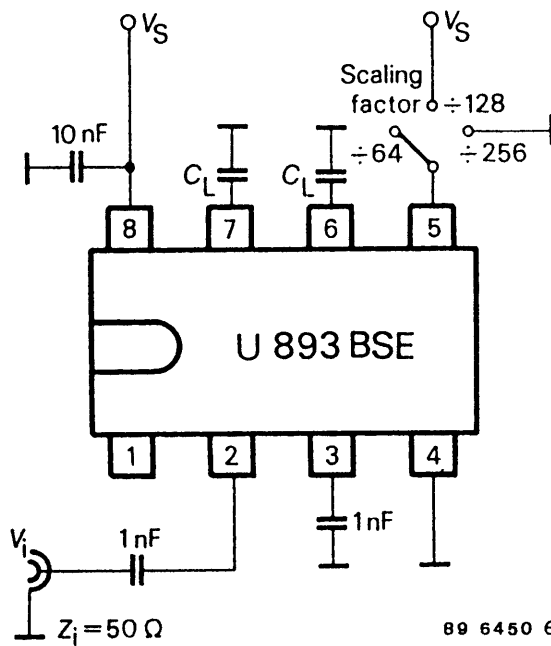
$V_S = 4.5$ to 5.5 V, $T_{amb} = 0$ to 70 °C, referred to test circuit, unless otherwise specified

Parameters	Test Conditions / Pin	Symbol	Min.	Typ.	Max.	Unit
Supply voltage range	Pin 8 (4)	V_S	4.5		5.5	V
Supply current	$V_S = 5$ V Pin 8 (4)	I_S		21	25	mA
Input sensitivity ¹⁾	$R_G = 50 \Omega$ $f_i = 70$ to 1100 MHz Pin 2, 3 (5, 6)	v_i			10	mV
	$f_i = 1100$ to 1200 MHz Pin 2, 3 (5, 6)	v_i			15	mV
	$f_i = 1200$ to 1300 MHz Pin 2, 3 (5, 6)	v_i			20	mV
Large signal compatibility	$R_G = 50 \Omega$ Pin 2, 3 (5, 6)	V_i	300			mV

¹⁾ RMS-voltage calculated from the measured available power

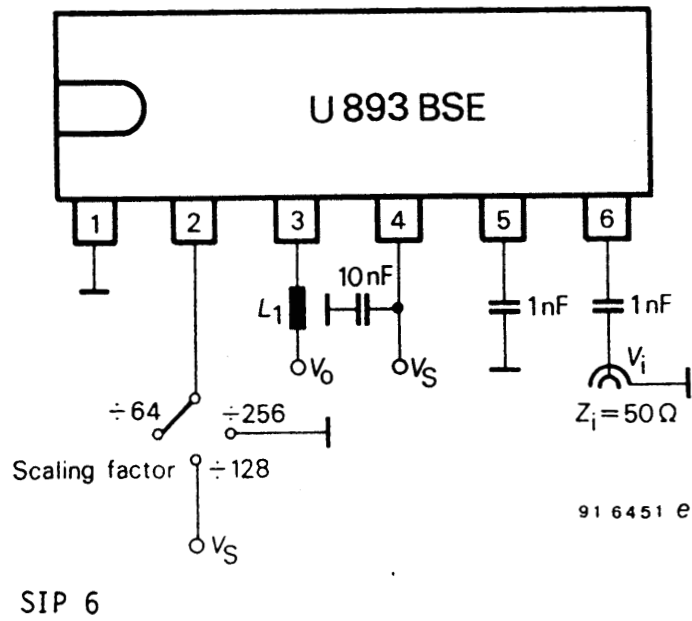
Parameters	Test Conditions / Pin	Symbol	Min	Typ	Max	Unit
Frequency range		$f_{i\min}$			70	MHz
		$f_{i\max}$	1300			MHz
Emitter follower output Voltage swing each output	$f_i \leq 1000$ MHz, $C_L = 13$ pF, SF = 1:64 Pin 6, 7 (3)	V_O	0.6	0.7		V_{pp}
Output impedance	Pin 6, 7 (3)	Z_O		200		Ω
3rd order harmonics suppression	$f_i = 700$ to 900 MHz, $C_L = 13$ pF, SF = 1:64 Pin 6, 7 (3)	$20 \times \log \frac{V_{O3f}}{V_{O1f}}$		-30		dB
Switching voltage for scaling factor (SF)	1:64 Pin 5 (2)	V_{SF}		open		
	1:128	V_{SF}	$V_S - 0.5$			V
	1:256	V_{SF}		0	0.3	V
Switching current	$V_S = 5$ V Pin 5 (2)					
	1:128 $V_{SF} = 5$ V	I_{SF}		150		μA
	1:256 $V_{SF} = 0$ V	I_{SF}		-150		μA

Test Circuits



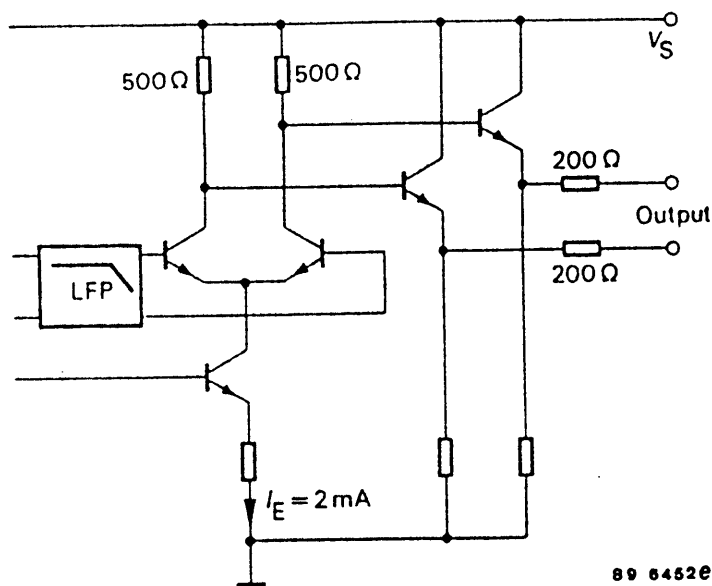
C_L = Total capacitive output load including test fixture and test equipment capacitance

DIP 8/SO 8

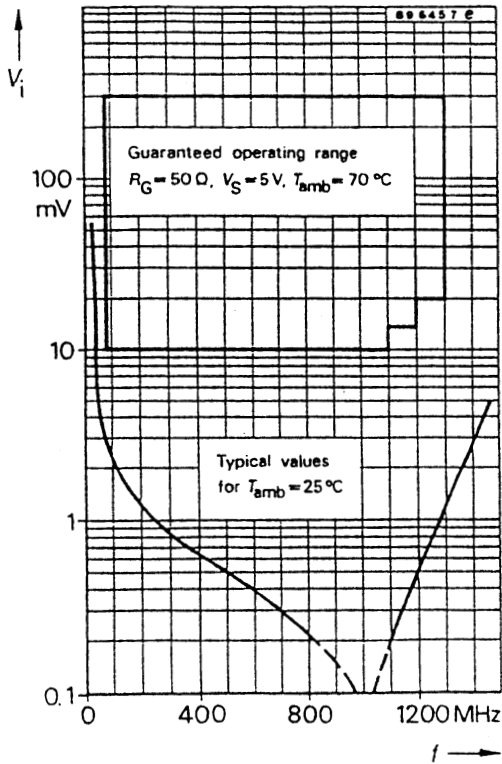


Output Circuit

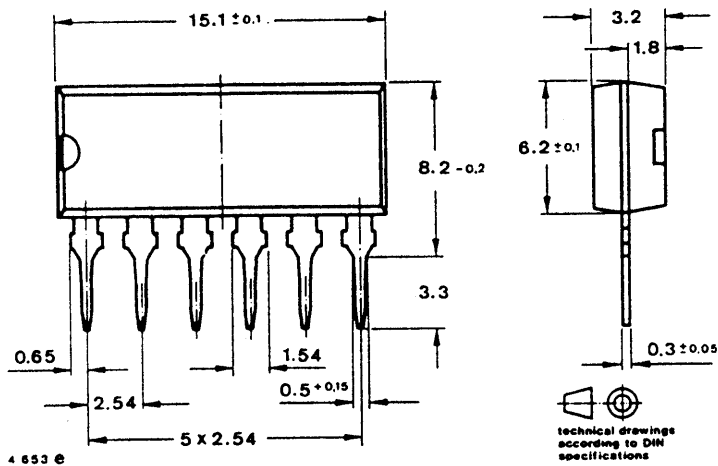
Emitter follower output



Input Sensitivity

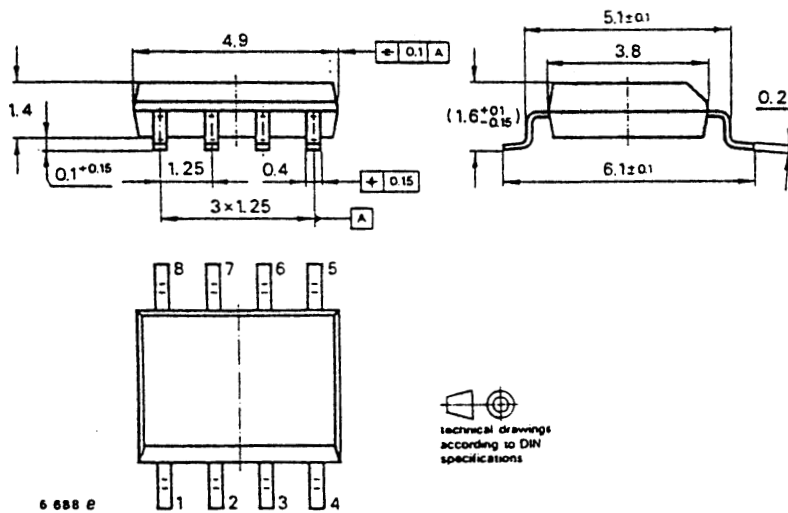
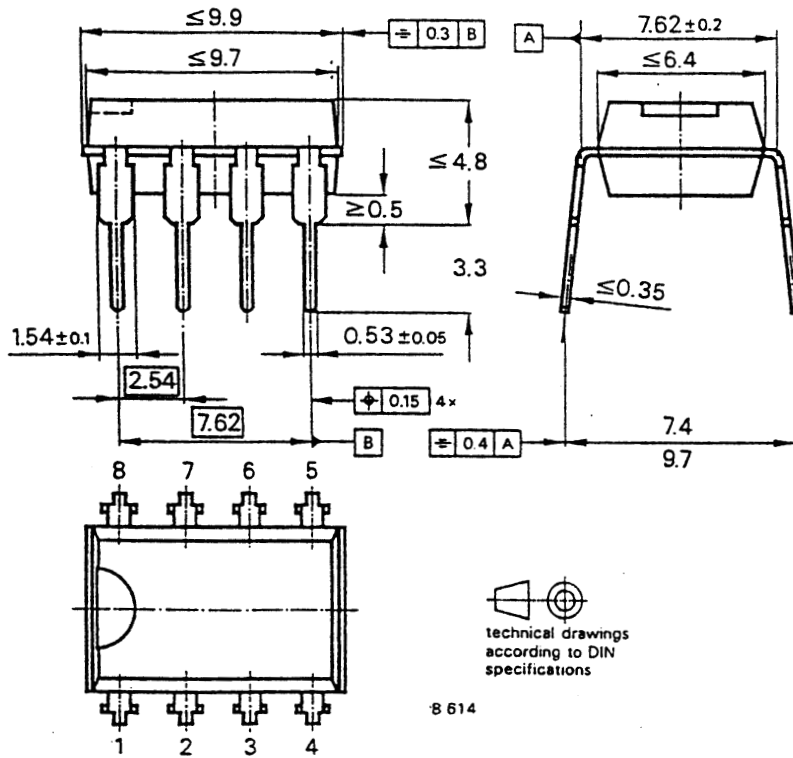


Dimensions in mm



Case
SIP 6
6-leads

Dimensions in mm



Ozone Depleting Substances Policy Statement

It is the policy of **TEMIC TELEFUNKEN microelectronic GmbH** to

1. Meet all present and future national and international statutory requirements.
2. Regularly and continuously improve the performance of our products, processes, distribution and operating systems with respect to their impact on the health and safety of our employees and the public, as well as their impact on the environment.

It is particular concern to control or eliminate releases of those substances into the atmosphere which are known as ozone depleting substances (ODSs).

The Montreal Protocol (1987) and its London Amendments (1990) intend to severely restrict the use of ODSs and forbid their use within the next ten years. Various national and international initiatives are pressing for an earlier ban on these substances.

TEMIC TELEFUNKEN microelectronic GmbH semiconductor division has been able to use its policy of continuous improvements to eliminate the use of ODSs listed in the following documents.

1. Annex A, B and list of transitional substances of the Montreal Protocol and the London Amendments respectively
2. Class I and II ozone depleting substances in the Clean Air Act Amendments of 1990 by the Environmental Protection Agency (EPA) in the USA
3. Council Decision 88/540/EEC and 91/690/EEC Annex A, B and C (transitional substances) respectively.

TEMIC can certify that our semiconductors are not manufactured with ozone depleting substances and do not contain such substances.

We reserve the right to make changes to improve technical design and may do so without further notice.

Parameters can vary in different applications. All operating parameters must be validated for each customer application by the customer. Should the buyer use TEMIC products for any unintended or unauthorized application, the buyer shall indemnify TEMIC against all claims, costs, damages, and expenses, arising out of, directly or indirectly, any claim of personal damage, injury or death associated with such unintended or unauthorized use.

TEMIC TELEFUNKEN microelectronic GmbH, P.O.B. 3535, D-74025 Heilbronn, Germany
Telephone: 49 (0)7131 67 2831, Fax number: 49 (0)7131 67 2423