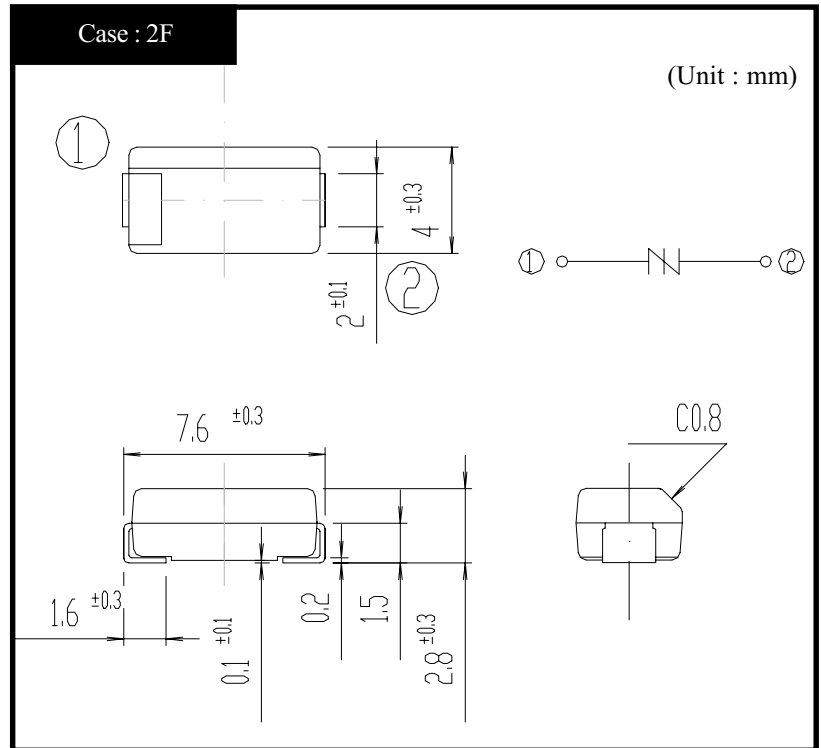


KP10L08

OUTLINE DIMENSIONS



RATINGS

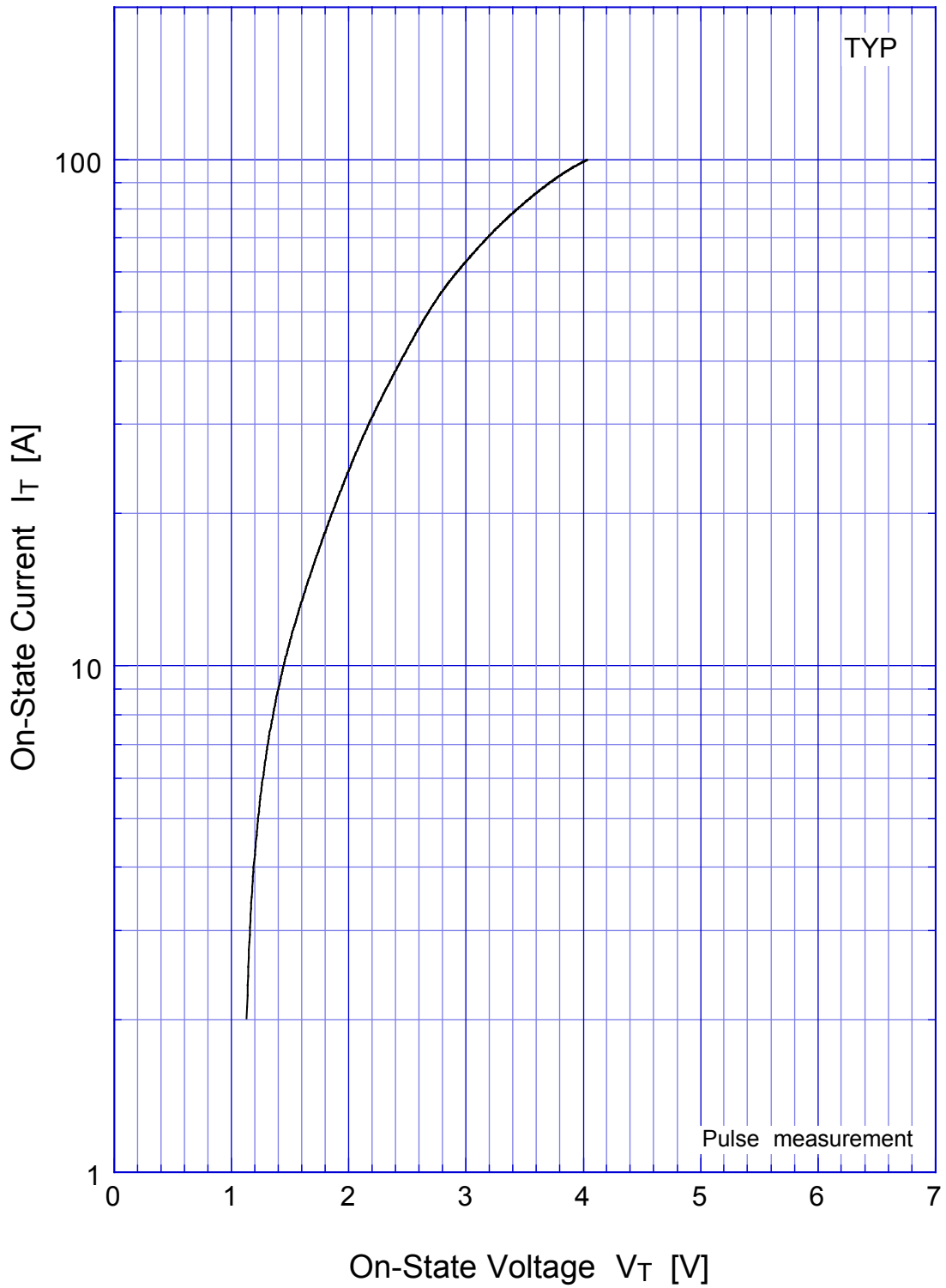
●Absolute Maximum Ratings

Item	Symbol	Conditions	Ratings	Unit
Storage Temperature	T _{stg}		-40~125	°C
Junction Temperature	T _j		125	°C
Maximum Off-State Voltage	V _{DRM}		63	V
Surge On-State Current	I _{TSM}	10/1000 μ s, Non-repetitive	100	A
		10/200 μ s, Non-repetitive	150	
		8/20 μ s, Non-repetitive	250	

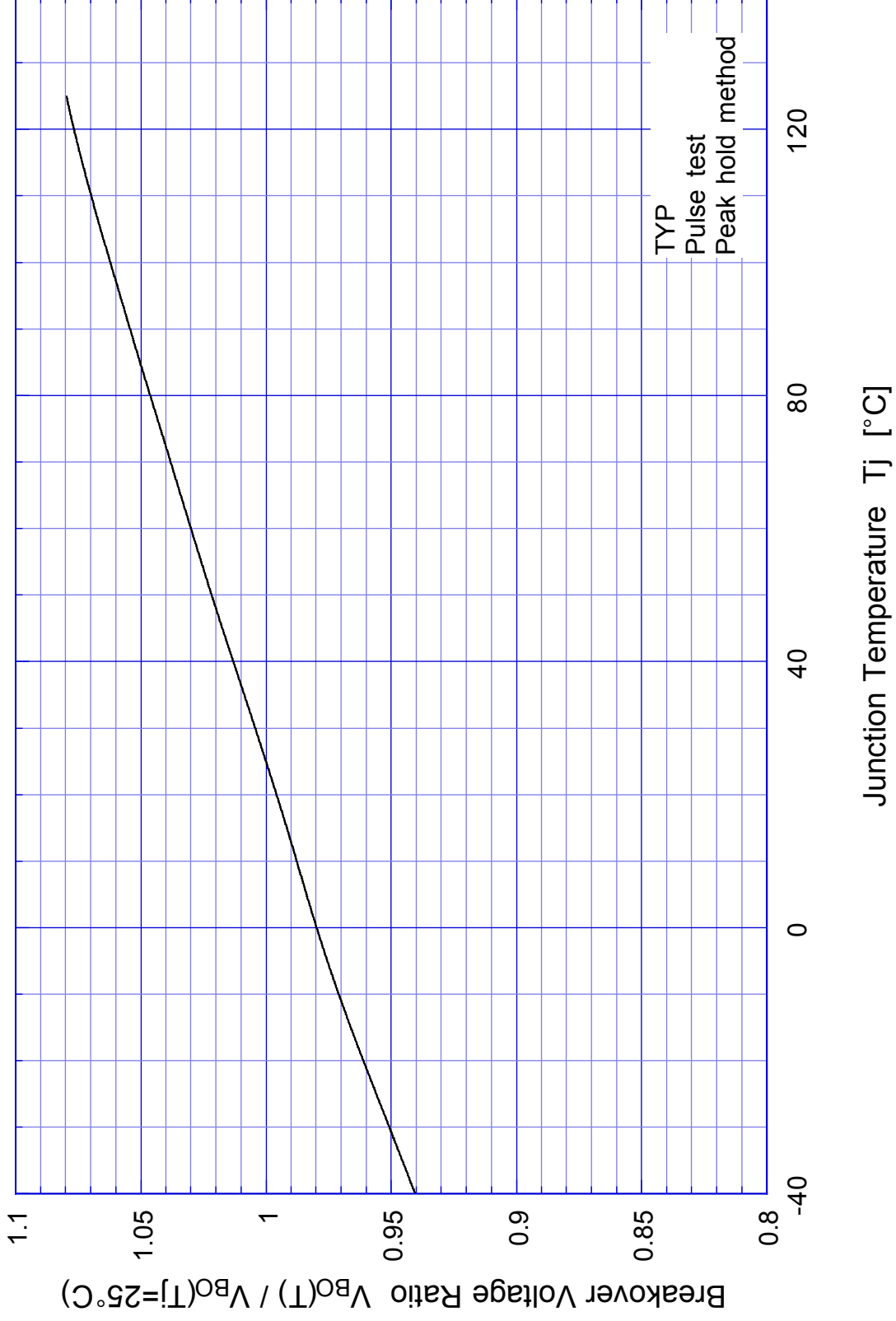
●Electrical Characteristics (T_I=25°C)

Item	Symbol	Conditions	Ratings	Unit
Breakover Voltage	V _{BO}	Pulse measurement (Peak hold)	Min 75	V
Off-State Current	I _{DRM}	V _D = V _{DRM}	Max 10	μ A
Holding Current	I _H	Pulse measurement	Min 100	mA
On-State Voltage	V _T	I _T = 2A	Typ 1.15	V
Junction Capacitance	C _j	f = 1kHz OSC = 1V _{rms} , V _D = 50V	Max 180	pF
Clamping Voltage	V _{CL}	dv/dt = 100V/μ s	Max 100	V

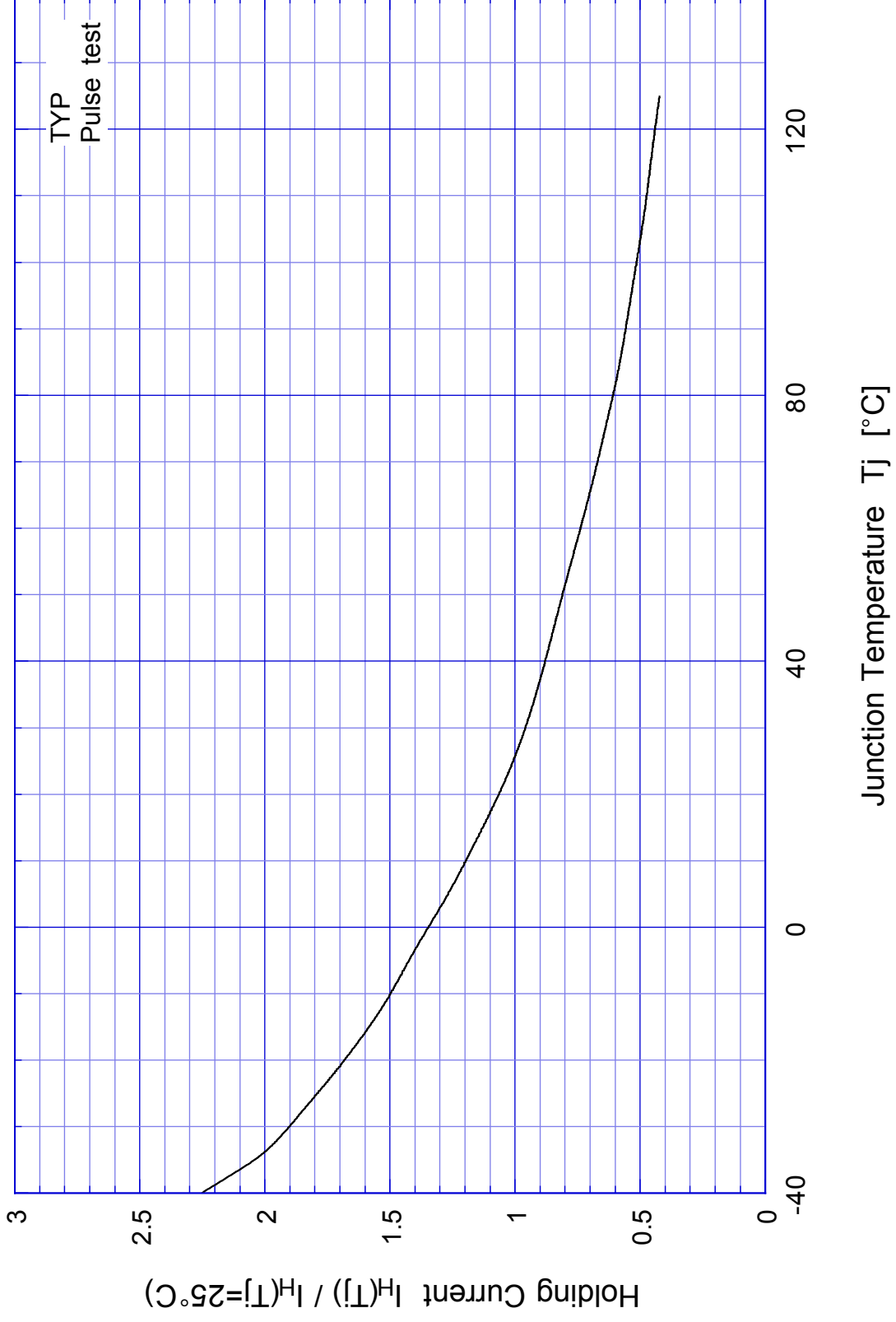
KP10L08 On-State Voltage - On-State Current



KP10L08 Breakover Voltage - Junction Temperature

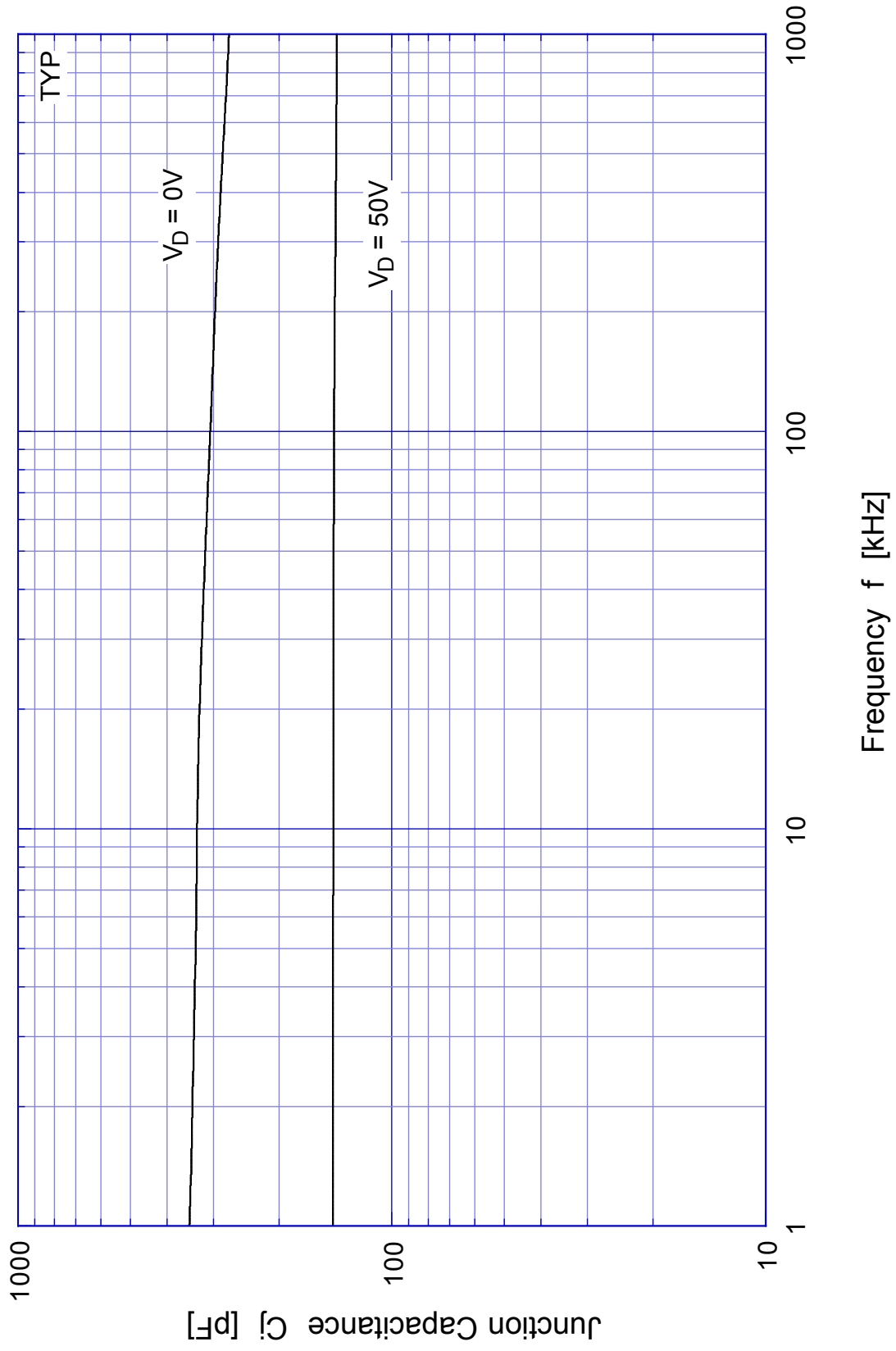


KP10L08 Holding Current - Junction Temperature



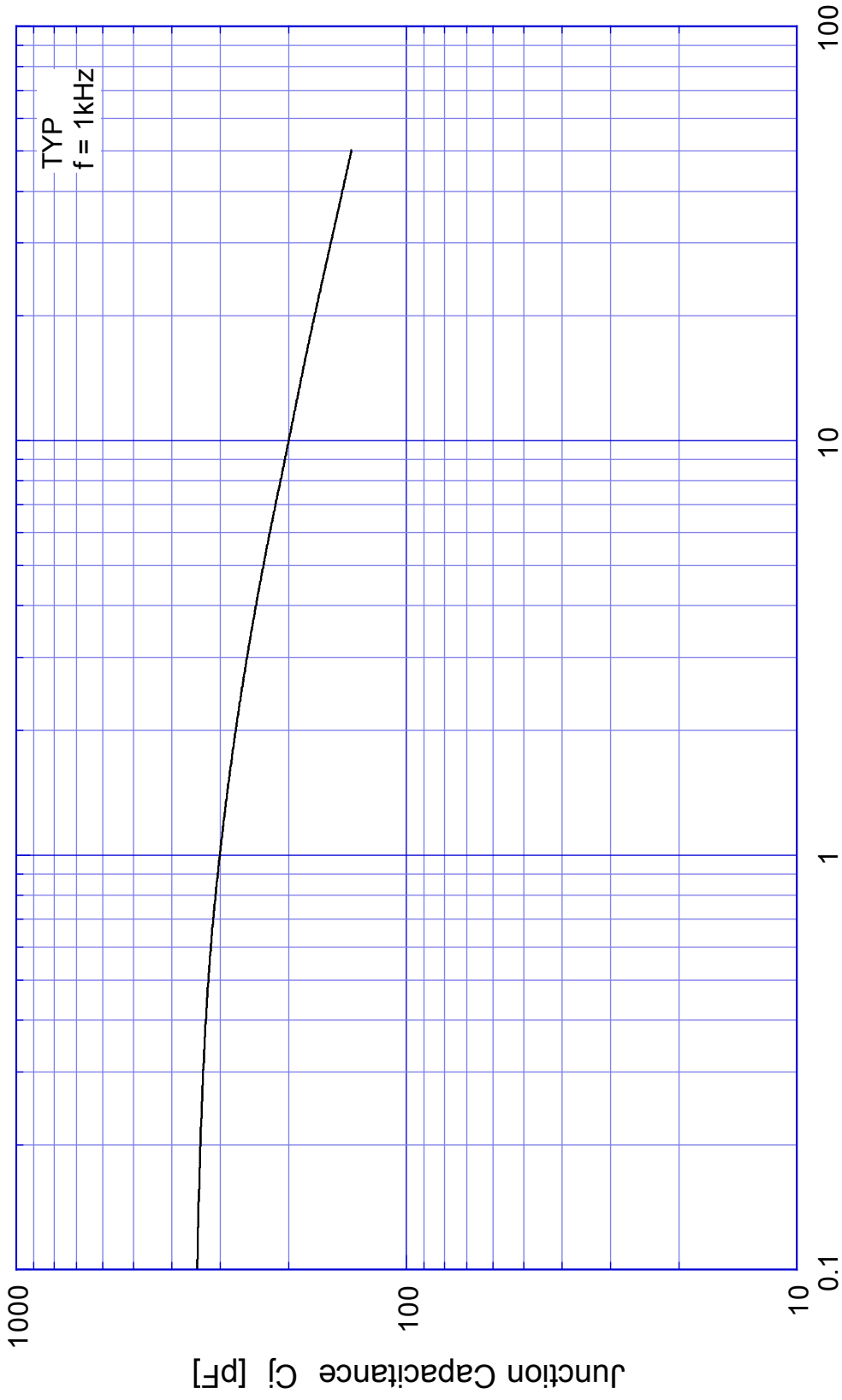
KP10L08

Junction Capacitance



KP10L08

Junction Capacitance



Off-State Applied Voltage V_D [V]