

SHINDENGEN

Super Fast Recovery Rectifiers

Super Fast Bridges

D4SBL40

400V 4A

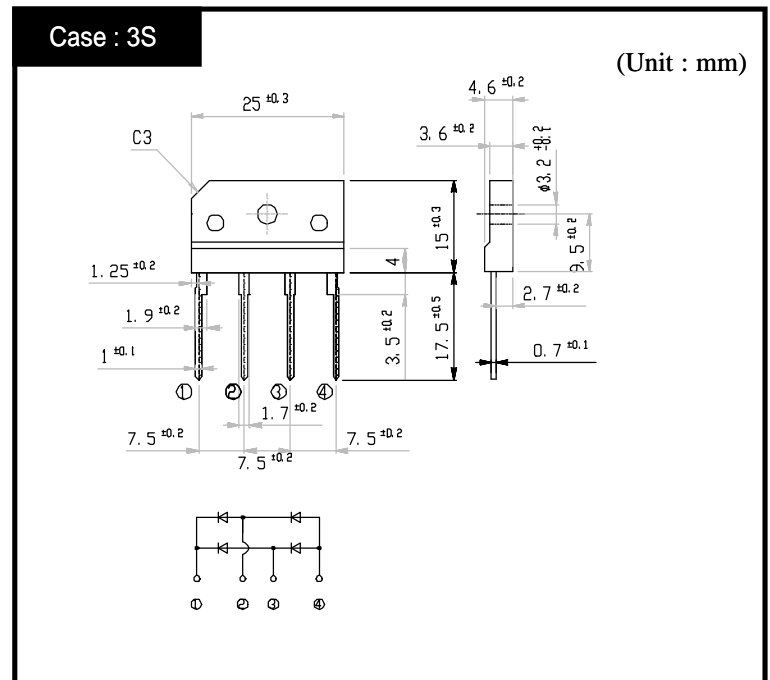
FEATURES

Low noise
SIL Package
High IFSM

APPLICATION

Switching power supply
Home (Electrical) Appliances
Office Equipment, Telecommunication,
Factory Automation

OUTLINE DIMENSIONS



RATINGS

Absolute Maximum Ratings (If not specified Tc=25)

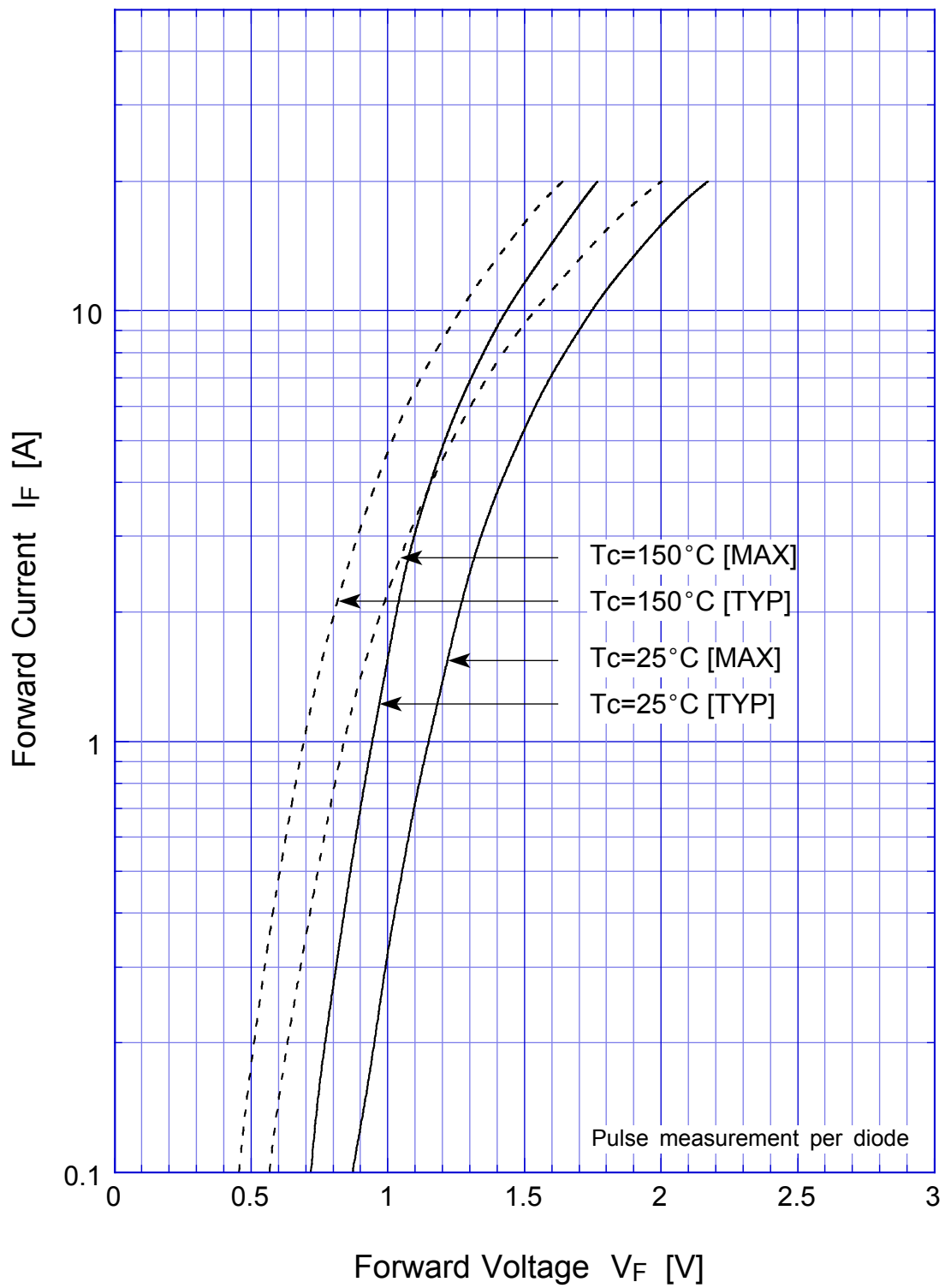
Item	Symbol	Conditions	Ratings	Unit
Storage Temperature	Tstg		-55 ~ 150	
Operating Junction Temperature	Tj		150	
Maximum Reverse Voltage	V _{RM}		400	V
Average Rectified Forward Current	I _O	50Hz sine wave, R-load With heatsink Tc=91	4	A
		50Hz sine wave, R-load Without heatsink Ta=25	1.95	
Peak Surge Forward Current	I _{FSM}	50Hz sine wave, Non-repetitive 1cycle peak value, Tj=25	50	A
Dielectric Strength	V _{dis}	Terminals to case, AC 1 minute	2	kV
Mounting Torque	TOR	(Recommended torque 0.5N·m)	0.8	N·m

Electrical Characteristics (If not specified Tl=25)

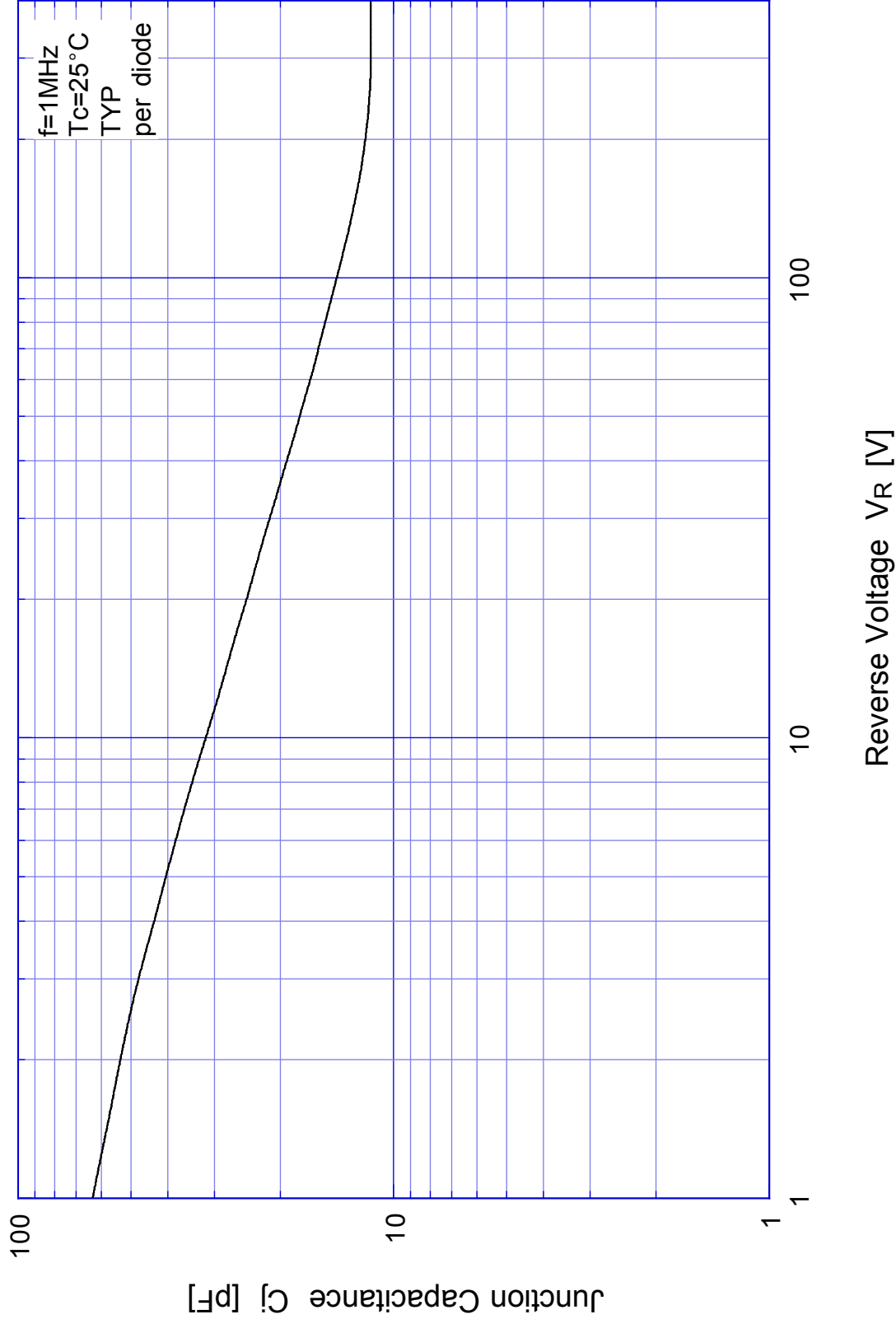
Item	Symbol	Conditions	Ratings	Unit
Forward Voltage	V _F	I _F =2.5A, Pulse measurement, Rating of per diode	Max.1.3	V
Reverse Current	I _R	V _R =V _{RM} , Pulse measurement, Rating of per diode	Max.10	μA
Reverse Recovery Time	trr	I _F = 0.5A, I _R = 1A	Max.50	ns
Thermal Resistance	j _c	junction to case With heatsink	Max.5.5	/W
	j _l	junction to lead Without heatsink	Max.6	
	j _a	junction to ambient Without heatsink	Max.30	

D4SBL40

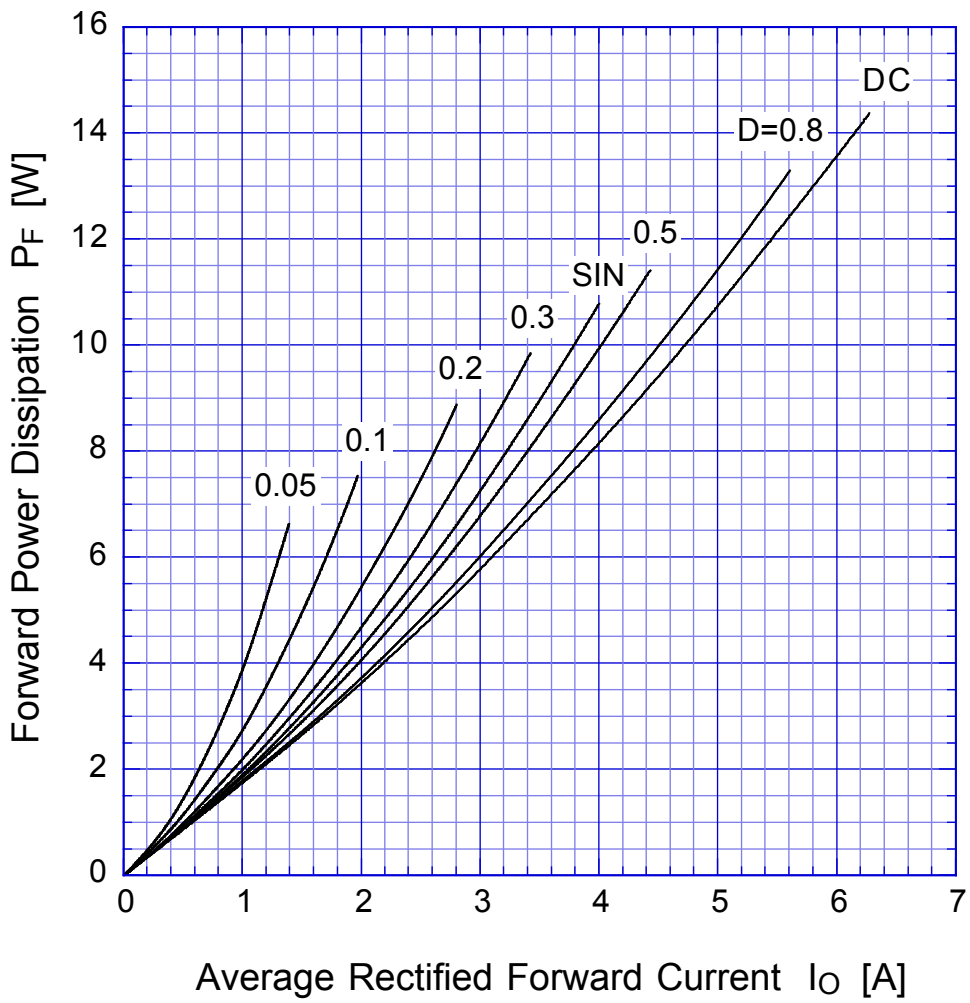
Forward Voltage



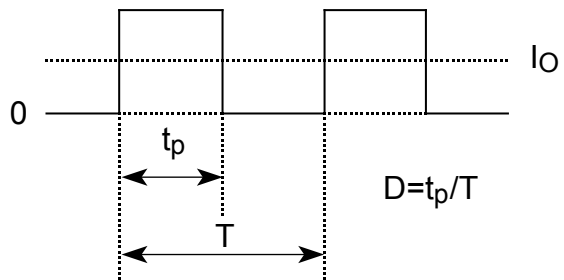
D4SBL40 Junction Capacitance



D4SBL40 Forward Power Dissipation

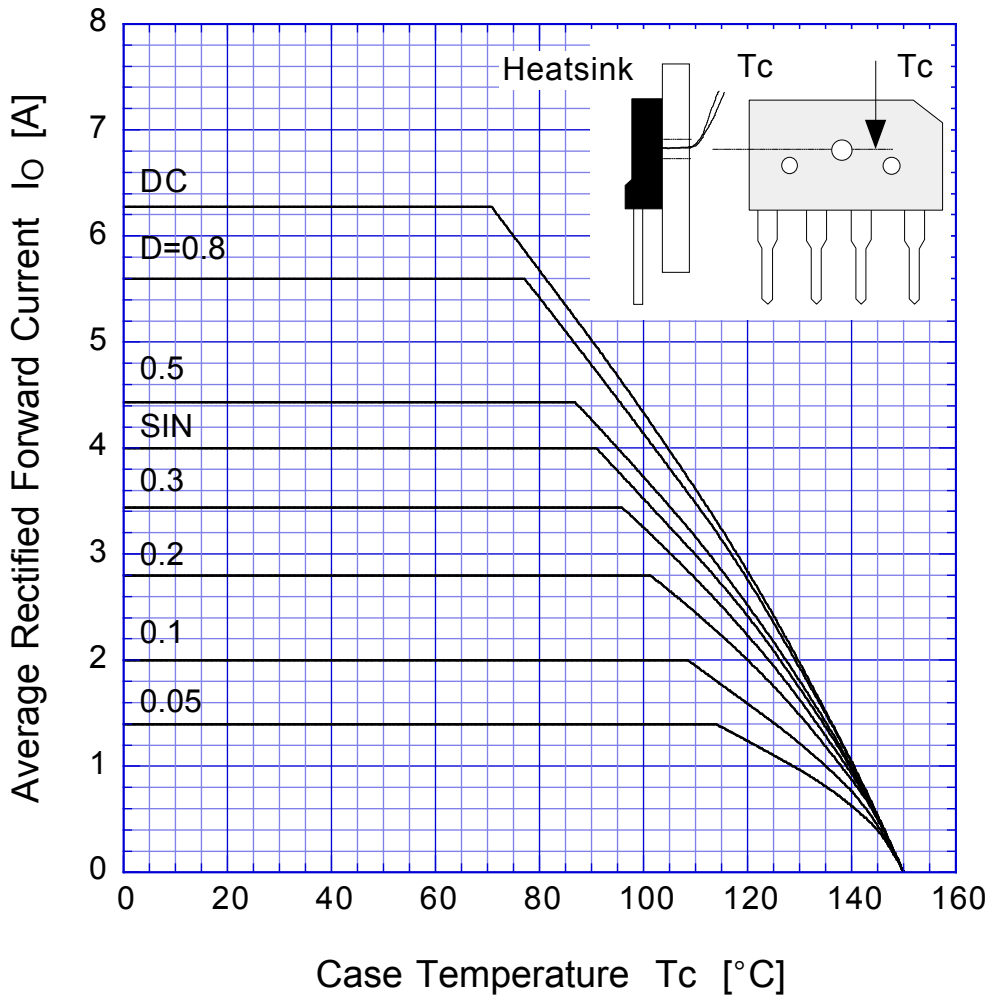


$T_j = 150^\circ\text{C}$

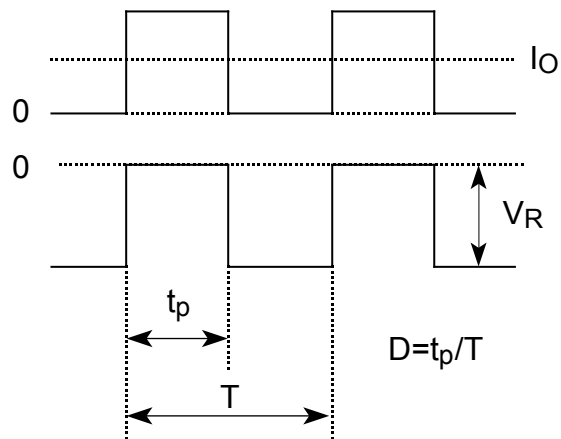


D4SBL40

Derating Curve

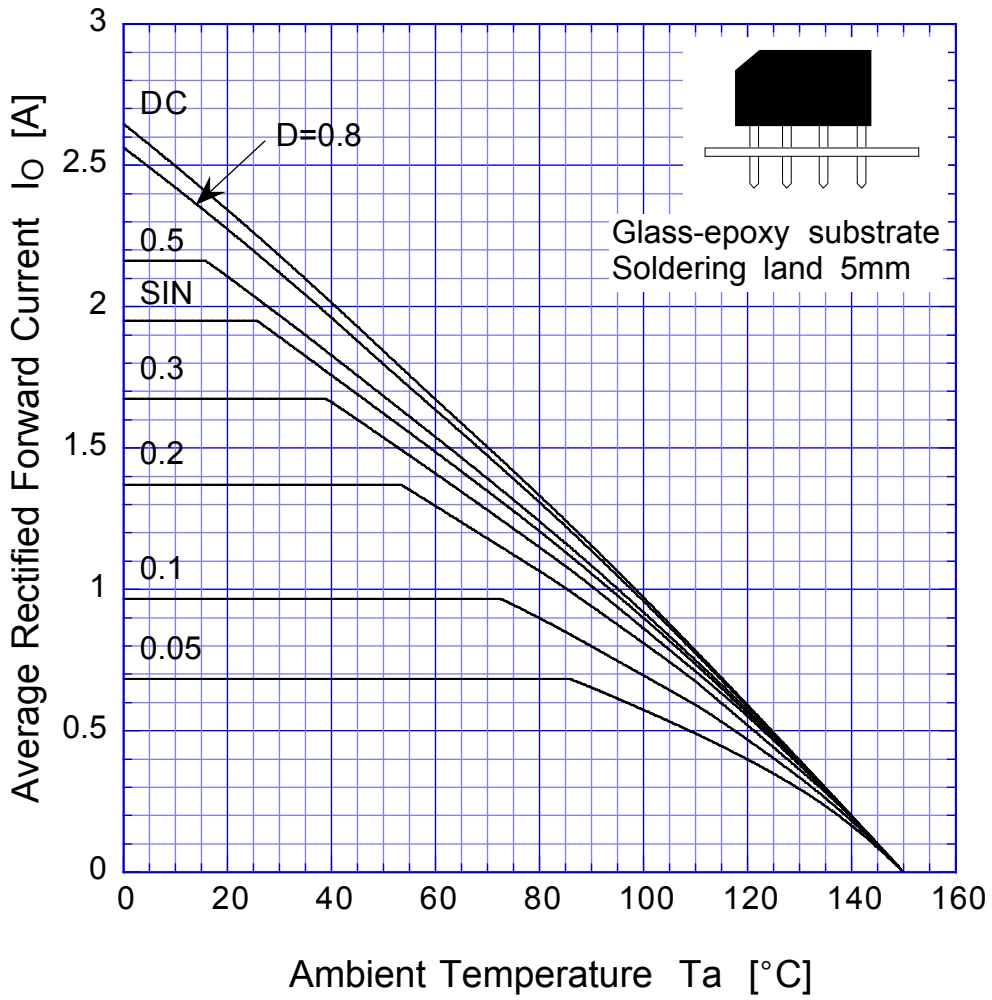


$$V_R = V_{RM}$$

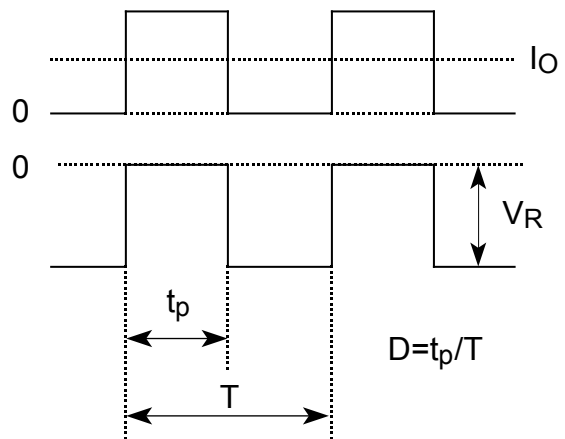


D4SBL40

Derating Curve



$V_R = V_{RM}$
Sine wave
R-load
Free in air



D4SBL40

Peak Surge Forward Capability

