

500mA Low Dropout Positive Voltage Regulator

General Description

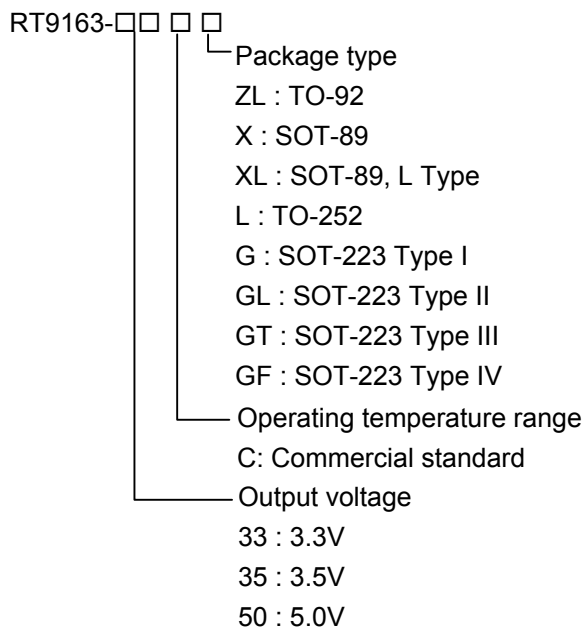
The RT9163 is a positive low dropout regulator designed for applications requiring low dropout performance at full rated current. The device is available in fixed output voltage of 3.3V, 3.5V, and 5.0V. The RT9163 provides excellent regulation over line, load, and temperature variations.

The other features include low dropout performance at a maximum of 1.4V at 500mA, fast transient response, internal current limiting, and thermal shutdown protection of the output devices. The RT9163 is a three-terminal regulator available in surface mount SOT-89, SOT-223, and TO-252 packages.

Applications

- 5V to 3.3V Linear Regulator
- Low Voltage Microcontroller, DSP... etc Power Supply
- Linear Regulator for LAN Card and CD-ROM


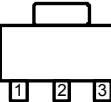
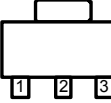
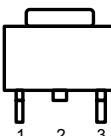
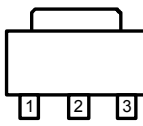
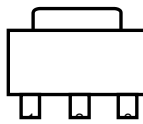
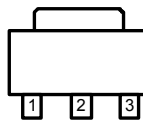
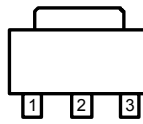
Ordering Information



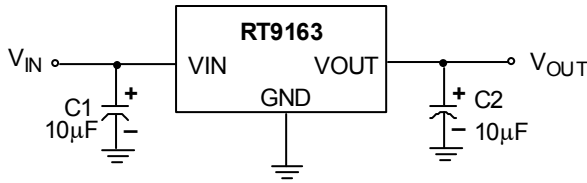
Features

- **Low Dropout, Maximum 1.4V at 500mA**
- **Fast Transient Response**
- **±2% Total Output Regulation**
- **0.4% Line Regulation**
- **0.4% Load Regulation**
- **TO-92, SOT-89, SOT-223, and TO-252 Packages**

Pin Configurations

Part Number	Pin Configurations
RT9163-□□CZL (Plastic TO-92)	 <p>TOP VIEW 1. VIN 2. GND 3. VOUT</p>
RT9163-□□CX (Plastic SOT-89)	 <p>TOP VIEW 1. VOUT 2. GND (TAB) 3. VIN</p>
RT9163-□□CXL (Plastic SOT-89)	 <p>TOP VIEW 1. GND 2. VIN (TAB) 3. VOUT</p>
RT9163-□□CL (Plastic TO-252)	 <p>TOP VIEW 1. VOUT 2. GND (TAB) 3. VIN</p>
RT9163-□□CG (Plastic SOT-223) Type I	 <p>TOP VIEW 1. VOUT 2. GND (TAB) 3. VIN</p>
RT9163-□□CGL (Plastic SOT-223) Type II	 <p>TOP VIEW 1. VIN 2. GND (TAB) 3. VOUT</p>
RT9163-□□CGT (Plastic SOT-223) Type III	 <p>TOP VIEW 1. GND 2. VOUT (TAB) 3. VIN</p>
RT9163-□□CGF (Plastic SOT-223) Type IV	 <p>TOP VIEW 1. GND 2. VIN (TAB) 3. VOUT</p>

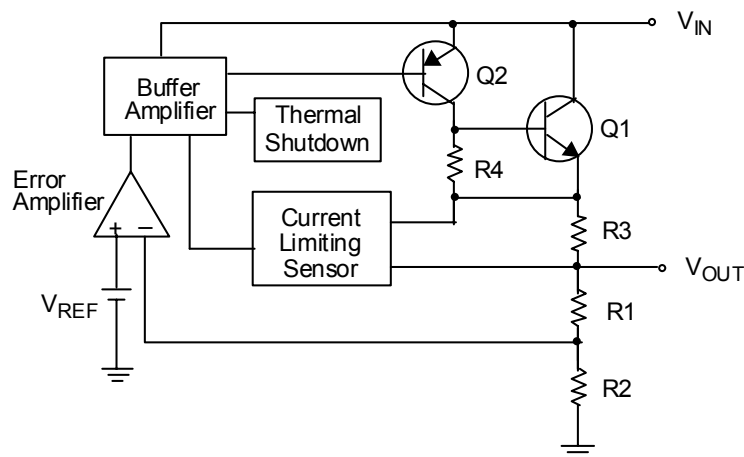
Typical Application Circuit



Pin Description

Pin Name	Pin Function
VOUT	Output Voltage
GND	Ground
VIN	Power Input

Function Block Diagram



Marking Information

For marking information, contact our sales representative directly or through a RichTek distributor located in your area, otherwise visit our website for detail.

Absolute Maximum Ratings

- Input Voltage 15V
- Power Dissipation, P_D @ $T_A = 25^\circ\text{C}$
 - TO-92 0.6W
 - SOT-89 0.5W
- Package Thermal Resistance
 - TO-92, θ_{JA} 160°C/W
 - SOT-89, θ_{JC} 100°C/W
 - SOT-89, θ_{JA} 300°C/W
 - SOT-223, θ_{JC} 15°C/W
 - SOT-223, θ_{JA} 60°C/W
 - TO-252, θ_{JC} 15°C/W
 - TO-252, θ_{JA} 56°C/W
- Operating Junction Temperature Range -40°C to 125°C
- Storage Temperature Range -65°C to 150°C

Electrical Characteristics

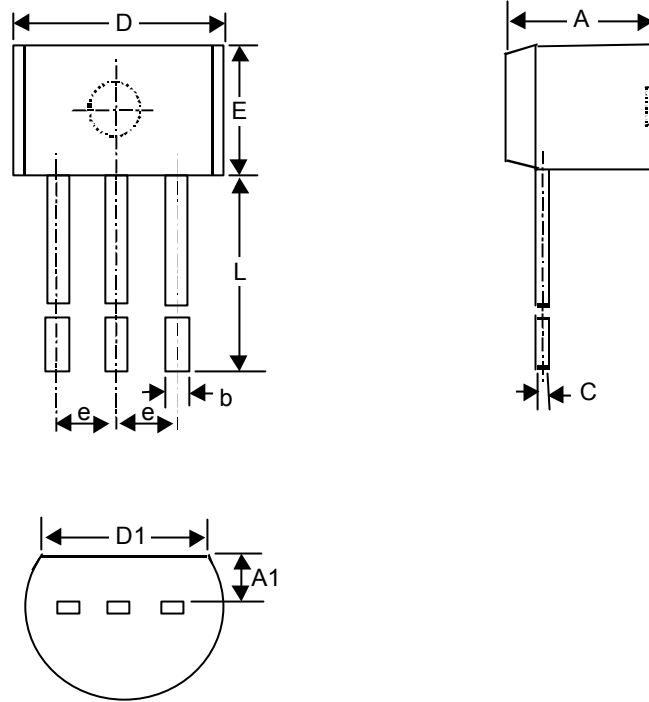
($V_{IN} = 5V$, $T_A = 25^\circ\text{C}$, unless otherwise specified)

Parameter	Symbol	Test Conditions	Min	Typ	Max	Units	
Output Voltage ⁽¹⁾	RT9163-33	V_{OUT}		3.235	3.300	3.365	V
	RT9163-35			3.430	3.500	3.570	
	RT9163-50		$V_{IN} = 7V$	4.900	5.000	5.100	
Line Regulation ⁽¹⁾	RT9163-33	ΔV_{LINE}	$V_{IN} = 5V \sim 15V$	--	0.1	0.4	%
	RT9163-35						
	RT9163-50						
Load Regulation ⁽¹⁾	ΔV_{LOAD}	$I_L = 0 \sim 500\text{mA}$	--	0.2	0.4	%	
Dropout Voltage ⁽²⁾	V_{DROP}	$\Delta V_{OUT} = 1\%$	--	1.3	1.4	V	
Current Limit	I_{LIMIT}	Load = 1Ω	550	--	--	mA	
Quiescent Current	I_Q		--	4.5	8	mA	
Temperature Coefficient	T_C		--	0.005	--	$\%/^\circ\text{C}$	
Temperature Stability	T_S		--	0.5	--	%	
RMS Output Noise ⁽³⁾			--	0.003	--	$\%/V_{OUT}$	

Notes:

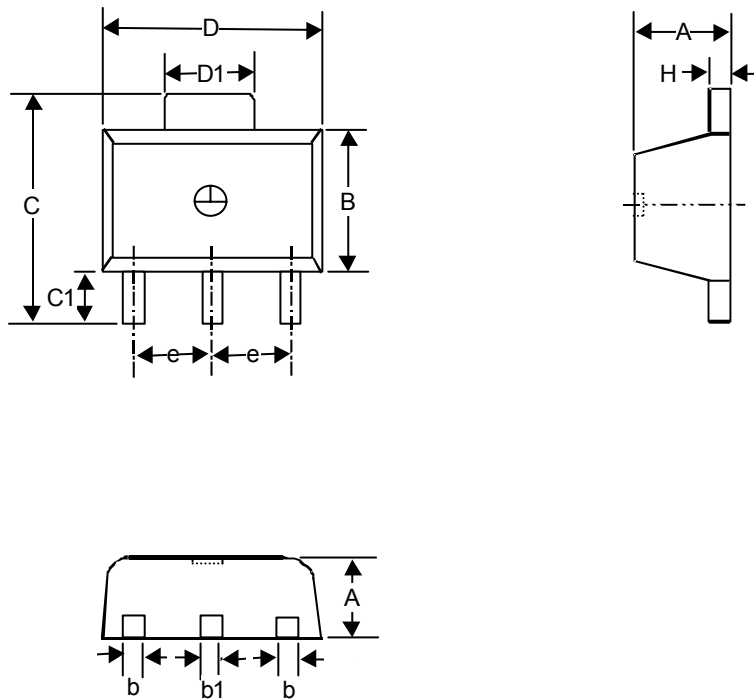
- (1) Low duty cycle pulse tested with Kelvin connections.
- (2) Dropout voltage is defined as the input to output differential at which the output voltage drops 100mV below the value measured with a 1V differential.
- (3) Bandwidth of 10 Hz to 10 kHz.

Package Information



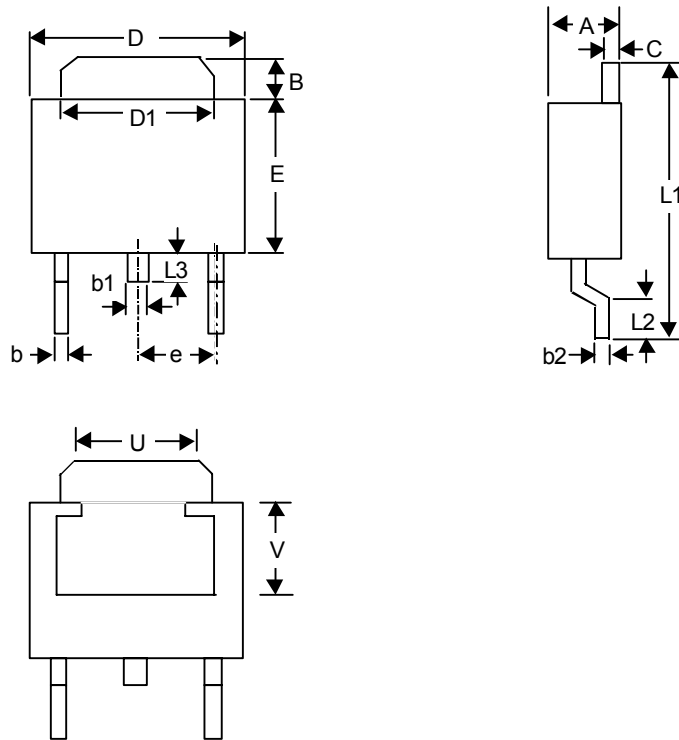
Symbol	Dimensions In Millimeters		Dimensions In Inches	
	Min	Max	Min	Max
A	3.175	4.191	0.125	0.165
A1	1.143	1.372	0.045	0.054
b	0.406	0.533	0.016	0.021
C	0.406	0.533	0.016	0.021
D	4.445	5.207	0.175	0.205
D1	3.429	--	0.135	--
E	4.318	5.334	0.170	0.210
e	1.143	1.397	0.045	0.055
L	12.700	--	0.500	--

3-Lead TO-92 Package



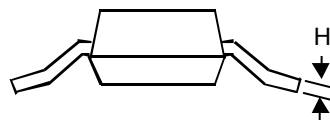
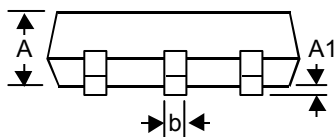
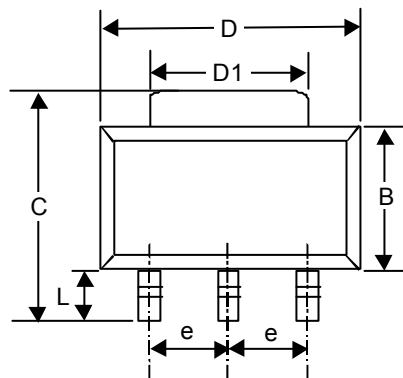
Symbol	Dimensions In Millimeters		Dimensions In Inches	
	Min	Max	Min	Max
A	1.397	1.600	0.055	0.063
b	0.356	0.483	0.014	0.019
B	2.388	2.591	0.094	0.102
b1	0.406	0.533	0.016	0.021
C	--	4.242	--	0.167
C1	0.787	1.194	0.031	0.047
D	4.394	4.597	0.173	0.181
D1	1.397	1.753	0.055	0.069
e	1.448	1.549	0.057	0.061
H	0.355	0.432	0.014	0.017

3-Lead SOT-89 Surface Mount



Symbol	Dimensions In Millimeters		Dimensions In Inches	
	Min	Max	Min	Max
A	2.184	2.388	0.086	0.094
B	0.889	2.032	0.035	0.080
b	0.508	0.889	0.020	0.035
b1	1.016 Ref.		0.040 Ref.	
b2	0.457	0.584	0.018	0.023
C	0.457	0.584	0.018	0.023
D	6.350	6.731	0.250	0.265
D1	5.207	5.461	0.205	0.215
E	5.334	6.223	0.210	0.245
e	2.108	2.438	0.083	0.096
L1	9.398	10.414	0.370	0.410
L2	0.508	--	0.020	--
L3	0.635	1.016	0.025	0.040
U	3.810 Ref.		0.150 Ref.	
V	3.048 Ref.		0.120 Ref.	

3-Lead TO-252 Plastic Surface Mount Package



Symbol	Dimensions In Millimeters		Dimensions In Inches	
	Min	Max	Min	Max
A	--	1.803	--	0.071
A1	0.020	0.100	0.0008	0.0047
b	0.610	0.787	0.024	0.031
B	3.302	3.708	0.130	0.146
C	6.706	7.290	0.264	0.287
D	6.299	6.706	0.248	0.264
D1	2.896	3.150	0.114	0.124
e	2.261	2.362	0.089	0.093
H	0.229	0.330	0.009	0.013
L	0.914	--	0.036	--

3-Lead SOT-223 Plastic Surface Mount

RICHTEK TECHNOLOGY CORP.

Headquarter

5F, No. 20, Taiyuen Street, Chupei City

Hsinchu, Taiwan, R.O.C.

Tel: (8863)5526789 Fax: (8863)5526611

RICHTEK TECHNOLOGY CORP.

Taipei Office (Marketing)

8F-1, No. 137, Lane 235, Paochiao Road, Hsintien City

Taipei County, Taiwan, R.O.C.

Tel: (8862)89191466 Fax: (8862)89191465

Email: marketing@richtek.com