



335 Pioneer Way
Mt View, California 94041
(650) 526-1490 Fax (650) 526-1494
e-mail: sales@netchip.com
Internet: www.netchip.com

NET1031 USB Scanner Controller PRELIMINARY SPECIFICATION

ADVANCE INFORMATION

Doc #: 605-0073-0011
Revision: 1.0
Date: 3 / 19 / 99

This document contains material that is confidential to NetChip. Reproduction without the express written consent of NetChip is prohibited. All reasonable attempts were made to ensure the contents of this document are accurate; however no liability, expressed or implied is guaranteed. NetChip reserves the right to modify this document, without notification, at any time.

Revision History

Revision	Issue Date	Comments
0.1	October 17, 1997	NET1031 Initial Draft Specification Proposal
0.2	March 30, 1998	16-Bit Register initial draft
0.3	July 22, 1998	Move Applications information to AppNote. Update Register layout
0.4	July 23, 1998	Re-organize the endpoint structure
0.5	Aug 27, 1998	Re-organize registers; add new SRAM and initialization features
0.6	Sept 11, 1998	Add some new registers
0.7	Oct 7, 1998	Add some more new registers
0.8	Nov 9, 1998	Clarify some text. Modify some registers
0.9	Jan 4, 1999	Modify some registers
0.10	Jan 8, 1999	Change pinouts, modify some defaults
0.11	Jan 17, 1999	Modify some defaults
1.0	Mar 19, 1999	Modify some defaults, remove references to PRNU and B/W threshold

NET1031 USB Scanner Controller

1	Highlights	7
1.1	Introduction	7
1.2	Features.....	7
1.2.1	General Features	7
1.2.2	Scanner Features	7
1.2.3	USB Features	7
1.3	Overview.....	7
1.4	NET1031 Block Diagram.....	9
	NET1031 CIS Scanner System Block Diagram.....	10
	NET1031 CCD Scanner System Block Diagram.....	10
2	Pin Connection Diagram.....	11
3	Pin Description.....	12
4	Functional Description.....	18
4.1	Start-Up	18
4.1.1	Reading from Initialization Device.....	18
4.1.2	Enumeration by the Host PC	18
4.1.3	Configuration by the Scanner Driver	18
4.1.4	Global Calibration.....	18
4.2	Initialization Interface	19
4.2.1	E ² PROMs (93CS06, 93CS46, 93CS56, 93CS66).....	19
4.2.2	IDSEL Pin Initialization.....	20
4.3	Scanner Functions.....	21
4.3.1	CCD/CIS Control.....	21
4.3.2	General Data Flow	21
4.3.3	Analog Block Interface.....	22
4.3.4	Stepper Motor Control.....	22
4.3.5	Image Buffering in SRAM	22
4.3.6	General I/O Pins	22
4.3.7	Abort# Pin	23
4.4	USB Interface.....	23
4.4.1	Default Control Pipe (Endpoint 0x00)	23
4.4.2	SRAM Write Pipe (Endpoint 0x01).....	23
4.4.3	SRAM/Image Data Read Pipe (Endpoint 0x81).....	23
4.4.4	Status Input Pipe (Endpoint 0x82).....	23
4.5	I/O Space Access.....	24
4.6	Suspend Mode.....	24
4.6.1	The Suspend Sequence.....	24
4.6.2	Host-Initiated Wake-Up.....	24
4.6.3	Device-Remote Wake-Up	24
4.7	Root Port Reset.....	25
4.8	NET1031 Power Configuration	25
4.8.1	Bus-Powered Device.....	25
4.8.2	Self-Powered Device	25
5	Register Descriptions	26
5.1	Control Registers Description.....	27
5.1.1	Control Registers Summary.....	27
5.1.2	(Address 00h; MASTERCTL) Master Control.....	28
5.1.3	(Address 01h; MEMIOCTL) Memory, I/O Control	28
5.1.4	(Address 02h; PIXCTL) Pixel Control.....	29
5.1.5	(Address 03h; IOCFG) I/O Pin Configuration	29

5.1.6	(Address 04h; SCANSTAT) Scanner Status	30
5.1.7	(Address 05h; IOSTAT) I/O Pin Status	30
5.1.8	(Address 06h; SCANCHG) Scanner Status Change Register	31
5.1.9	(Address 07h; IOCHG) I/O Pin Status Change Register	31
5.1.10	(Address 08h; SRAMADDR1) SRAM Address, Most-Significant Word.....	31
5.1.11	(Address 09h; SRAMADDR0) SRAM Address, Least-Significant Word	31
5.1.12	(Address 0Ah - 0Fh; RESERVED) Reserved for future use	31
5.1.13	(Address 10h; SRAMBASE1) SRAM FIFO Address Base, Most-Significant Word	31
5.1.14	(Address 11h; SRAMBASE0) SRAM FIFO Address Base, Least-Significant Word.....	31
5.1.15	(Address 12h; SRAMTOP1) SRAM FIFO Address Top, Most-Significant Word.....	32
5.1.16	(Address 13h; SRAMTOP0) SRAM FIFO Address Top, Least-Significant Word	32
5.1.17	(Address 14h; FIFOFSTHR1) FIFO Full-Speed Threshold, Most-Significant Word.....	32
5.1.18	(Address 15h; FIFOFSTHR0) FIFO Full-Speed Threshold, Least-Significant Word	32
5.1.19	(Address 16h; FIFOHSTHR1) FIFO Half-Speed Threshold, Most-Significant Word.....	32
5.1.20	(Address 17h; FIFOHSTHR0) FIFO Half-Speed Threshold, Least-Significant Word	33
5.1.21	(Address 18h; FIFOSTOPTHR1) FIFO Stop Threshold, Most-Significant Word	33
5.1.22	(Address 19h; FIFOSTOPTHR0) FIFO Stop Threshold, Least-Significant Word.....	33
5.1.23	(Address 1Ah; FIFOCOUNT1) FIFO Byte Count, Most-Significant Word.....	33
5.1.24	(Address 1Bh; FIFOCOUNT0) FIFO Byte Count, Least-Significant Word	33
5.1.25	(Address 1Ch; FIFOSTAT) FIFO Status.....	34
5.1.26	(Address 1Dh - 1Fh; RESERVED) Reserved for future use	34
5.1.27	(Address 20h; COLORCYCLE) Color Cycle Time Period.....	34
5.1.28	(Address 21h; PELCYCLE) Pixel Cycle Time Period.....	34
5.1.29	(Address 22h; LINECYCLE) Line Cycle Time Period.....	34
5.1.30	(Address 23h; STEPCYCLE) Stepper Cycle Time Period.....	34
5.1.31	(Address 25h; PELSTROBE) Pixel Strobe.....	35
5.1.32	(Address 26h; COLORSTART) Color Cycle Start Offset.....	35
5.1.33	(Address 27h; PELSTART) Pixel Cycle Start Offset.....	35
5.1.34	(Address 28h; FIRSTPEL) First Active Pixel.....	35
5.1.35	(Address 29h; LASTPEL) Last Active Pixel.....	35
5.1.36	(Address 2Ah; FIRSTLINE) First Scan Line	36
5.1.37	(Address 2Bh; LASTLINE) Last Scan Line.....	36
5.2	Pixel-based Waveform Register Description	37
5.2.1	Pixel-based Waveform Register Summary	37
5.2.2	(xxxxHIGH) Pixel-based Waveform High Offset	38
5.2.3	(xxxxLOW) Pixel-based Waveform Low Offset.....	38
5.2.4	(xxxxCTL) Pixel-based Waveform Control.....	38
5.3	Line-based Waveform Register Description	39
5.3.1	Line-based Waveform Register Summary	39
5.3.2	(xxxxHIGH) Line-based Waveform High Offset	40
5.3.3	(xxxxLOW) Line-based Waveform Low Offset.....	40
5.3.4	(xxxxCTL) Line-based Waveform Control	40
5.4	Stepper-based Waveform Register Description	41
5.4.1	Stepper-based Waveform Register Summary	41
5.4.2	(xxxxHIGH) Stepper-based Waveform High Offset	42
5.4.3	(xxxxLOW) Stepper-based Waveform Low Offset	42
5.4.4	(xxxxCTL) Stepper-based Waveform Control.....	42
5.5	USB Register Description.....	43
5.5.1	USB Register Summary.....	43
5.5.2	(Address F0h; VID) Vendor ID	43
5.5.3	(Address F1h; PID) Product ID	43
5.5.4	(Address F2h; REL) Release Number	43

5.5.5	(Address F3h; MAXPWR) Maximum Power.....	43
5.5.6	(Address F4h; USBCTL1) USB Control Register 1.....	44
5.5.7	(Address F5h; USBCTL2) USB Control Register 2.....	45
5.5.8	(Address F6h; STRINDEX1) String Index 1	46
5.5.9	(Address F7h; STRINDEX2) String Index 2	46
5.5.10	(Address F8h - FBh; RESERVED) Reserved for future use.....	46
5.5.11	(Address FCh; EECTL) EEPROM Control.....	46
5.5.12	(Address FDh; EEADDR) EEPROM Address	47
5.5.13	(Address FEh; EEDATA) EEPROM Data.....	47
5.5.14	(Address FFh; REVISION) NET1031 Silicon Revision	47
6	USB Vendor-Specific Device Requests (Endpoint 0).....	48
6.1	Register Write.....	48
6.2	Register Read.....	49
6.3	I/O Write.....	49
6.4	I/O Read.....	50
6.5	Manufacturer Test Mode	50
6.5.1	6.5.1 Device Clear Feature (Timing Test Mode).....	50
6.5.2	6.5.2 Device Set Feature (Timing Test Mode).....	50
7	USB Standard Device Requests (Endpoint 0).....	51
7.1	Control 'IN' Transactions	51
7.1.1	Get Device Status	51
7.1.2	Get Interface Status	51
7.1.3	Get Endpoint 0x00, 0x01, 0x81, 0x82 Status.....	51
7.1.4	Get Device Descriptor (18 Bytes).....	51
7.1.5	Get Configuration Descriptor (39 bytes)	52
7.1.6	Get String Descriptor 0	53
7.1.7	Get String Descriptor 1	53
7.1.8	Get String Descriptor 2	54
7.1.9	Get String Descriptor 3	54
7.1.10	Get Configuration	54
7.1.11	Get Interface	54
7.2	Control 'OUT' Transactions.....	55
7.2.1	Set Address	55
7.2.2	Set Configuration.....	55
7.2.3	Set Interface.....	55
7.2.4	Device Clear Feature.....	55
7.2.5	Device Set Feature.....	55
7.2.6	Endpoint Clear Feature	55
7.2.7	Endpoint Set Feature.....	55
8	Bulk and Interrupt Endpoints	56
8.1	Endpoint 0x01 'OUT' Transactions (SRAM Write Pipe).....	56
8.2	Endpoint 0x81 'IN' Transactions (SRAM/Image Data Read Pipe).....	56
8.3	Endpoint 0x82 'IN' Transactions (Status Input Pipe).....	56
9	Signal Timing	57
9.1	Signal Timing.....	57
9.1.1	Color- and Pixel-Based Signal Timing	57
9.1.2	Line-Based Signal Timing.....	57
9.1.3	Stepper-Based Signal Timing.....	58
9.2	SRAM Write Timing.....	59
9.3	SRAM Read Timing.....	59
9.4	I/O Write Timing	60
9.5	I/O Read Timing	60

- 10 Electrical Specifications..... 61**
 - 10.1 Absolute Maximum Ratings..... 61
 - 10.2 Recommended Operating Conditions 61
 - 10.3 DC Specifications 61
 - 10.3.1 Core DC Specifications 61
 - 10.3.2 USB Port DC Specifications 62
 - 10.3.3 Local Bus (+3.3V) DC Specifications 62
 - 10.3.4 Local Bus (+5.0V) DC Specifications 63
 - 10.4 AC Specifications 64
 - 10.4.1 USB Port AC Specifications 64
 - 10.4.2 USB Port AC/DC Specification Notes 64
 - 10.4.3 USB Port AC Waveforms 65
- 11 Mechanical Drawing..... 67**

1 Highlights

1.1 Introduction

The NetChip USB scanner engine provides a single chip solution providing a USB core and scanner imaging control in a single chip. No external microprocessor is needed in the scanner. The NET1031 replaces multiple ICs in a typical scanner design, and is fully programmable to ensure support with a wide range of scanning hardware. The NET1031 provides the necessary signaling for both color and gray scale charge-coupled devices (CCD) or contact image sensors (CIS), and contains a fully-functional USB core to control the scanner and perform image transfers across USB.

1.2 Features

1.2.1 General Features

- Single-Chip USB Scanner Controller Solution
- Low Power CMOS in 144-pin PQFP Package
- Core operates at 3.3V, dual-voltage (3.3V/5.0V) Scanner-Side Interface
- Supports 500 μ A suspend current requirement of USB
- 6 MHz crystal oscillator with internal PLL.
- Generic I/O-Space Read and Write Access for programmable external components

1.2.2 Scanner Features

- Supports CIS and CCD Sensors in Hardware
- Stepper Motor Controller Interface
- Up to 2 MB SRAM Interface for Image Data Buffer
- Up to 36-bit Color, 12-bit Grayscale

1.2.3 USB Features

- USB Specification Version 1.1 Compliant
- Supports Full-Speed USB Bandwidth of 12 Mbps
- Status Reporting through USB Interrupt Endpoint

1.3 Overview

The NetChip NET1031 USB scanner engine is designed to work with most CCDs and CISs. Sensor, analog acquisition subsystem, and stepper motor control signals are provided directly from the NET1031. The NET1031 is designed to work both in a pull model (such as TWAIN) and a push model. It can signal to a host driver to initiate a scan when a target has been loaded and is ready to be scanned in. The NET1031 will enter a low-power suspend mode when required by the USB, and can wake up in response to activity on either the host or the scanner. The NET1031 can also perform a “device remote wake-up” (as defined by the USB specification) to wake a host that has suspended its USB.

The NET1031 can address up to 2 Mbytes of external SRAM. This memory is used as a FIFO for a partially scanned image prior to sending it to the host. The NET1031 can be programmed to slow the scan rate to one-half speed, and stop if the FIFO becomes nearly full. This may occur when the data rate from the scanner to the host slows due to other devices on the USB or other limitations of the host.

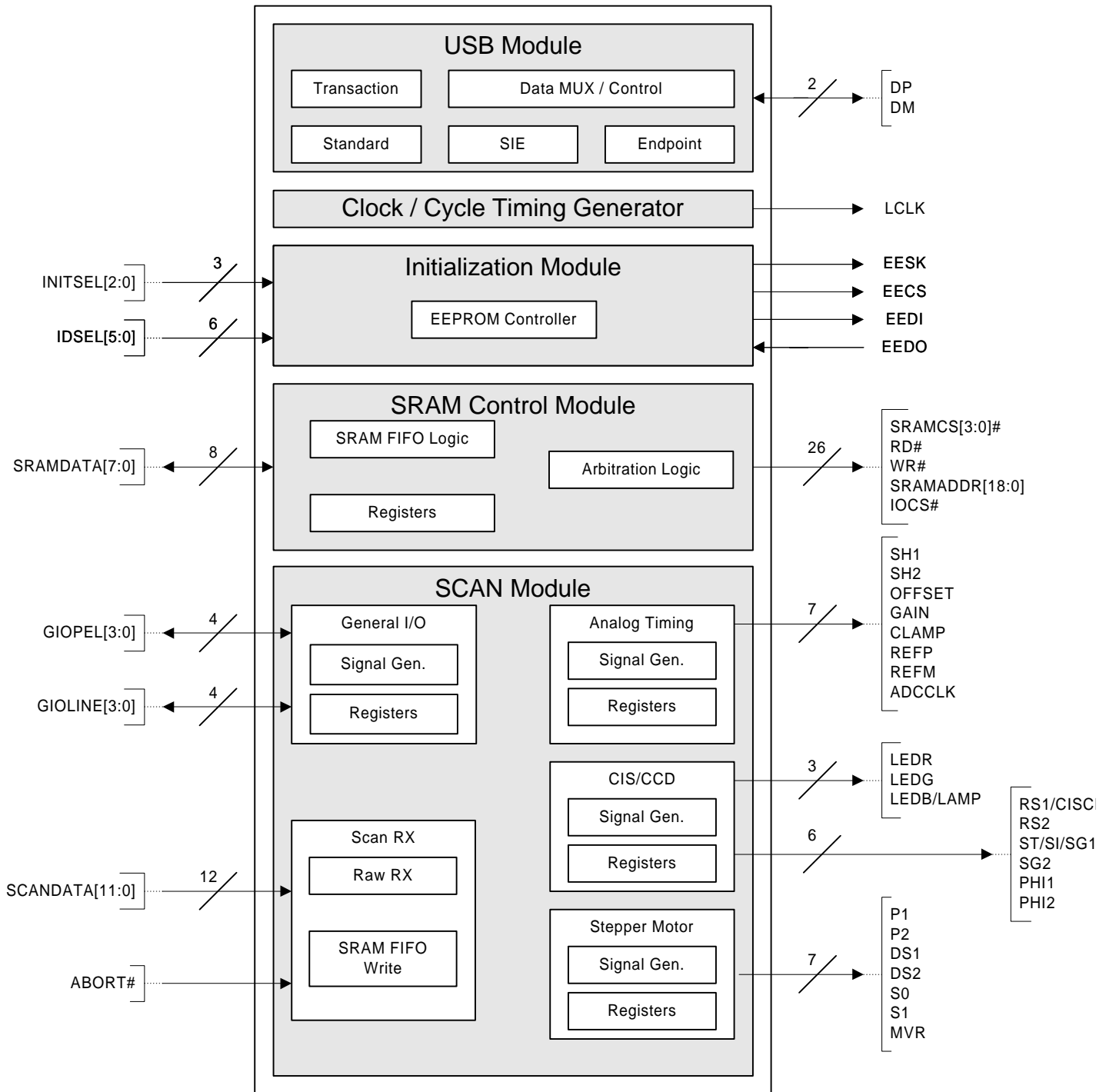
The NET1031 interfaces directly to a stepper motor driver. Once programmed it will send the appropriate signals to energize the various coils and step the motor forward or backward.

An interface to an optional external serial memory device is provided to initialize the NET1031 with parameters necessary for enumeration of the device. Parameters loaded from the serial device include the Vendor ID, Product ID, Revision Number, Maximum Power fields, and USB control bits, as well as optional string descriptors.

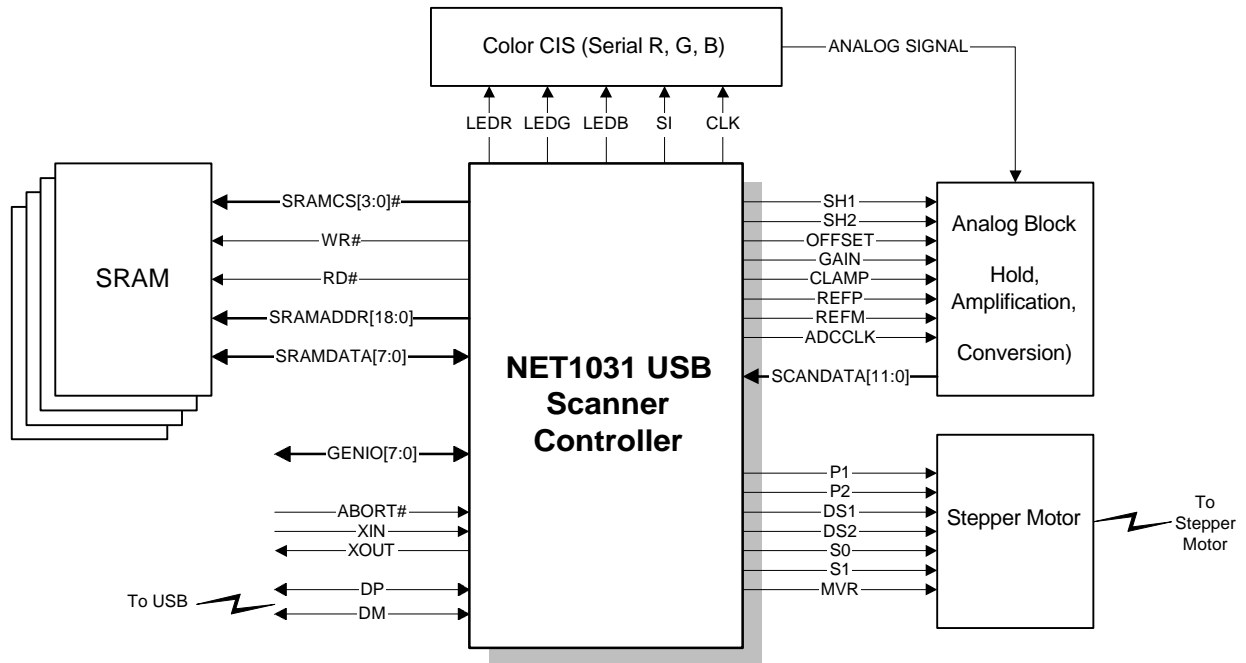
The NET1031 has 8 programmable general input/output pins. These signals may be configured as digital inputs, Pulse-Width Modulation (PWM) outputs, or digital outputs. The outputs themselves may be configured totem-pole or open-drain. The chip can be driven with a 6 MHz crystal or clock oscillator.

1.4 NET1031 Block Diagram

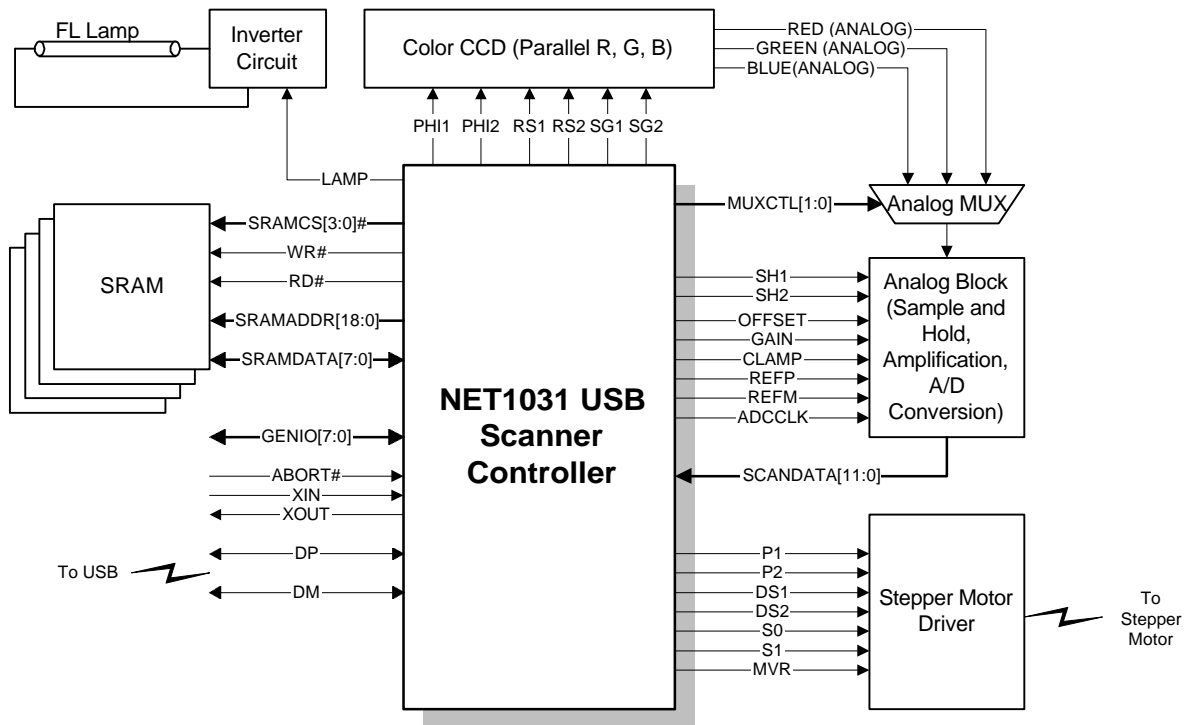
Figure 1-1: NET1031 Block Diagram



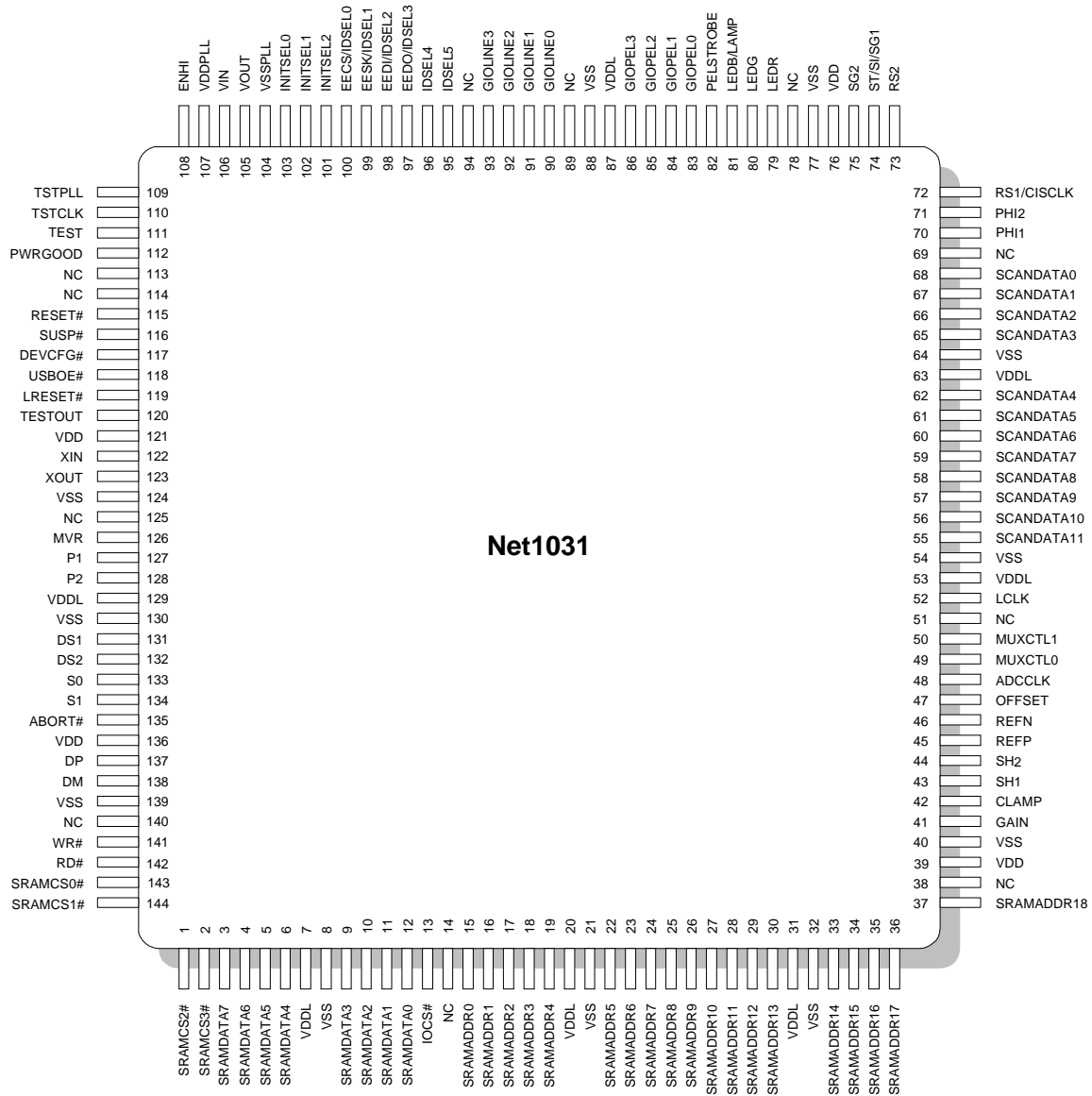
1.5 NET1031 CIS Scanner System Block Diagram



1.6 NET1031 CCD Scanner System Block Diagram



2 Pin Connection Diagram



3 Pin Description

NOTE: “Pin Numbers” are just being assigned sequentially to get a pin count for now.

Table 3-1: Pin Types

Pin Type	Description
I	Input
O	Output
I/O	Bi-Directional (with Tri-State)
S	Schmitt Trigger
TS	Tri-State
TP	Totem Pole
OD	Open Drain
PD	50K Ω Internal Pull-Down Resistor
PU	50K Ω Internal Pull-Up Resistor
#	Active Low

NOTE: When the NET1031 is in the suspended state, input pins that do not have an internal pull-up or pull-down resistor (designated by PU or PD in the “Type” column) must be driven externally.

Table 3-2: Pin Descriptions

Signal Name	Pin	Type	Description
SCANDATA0	68	I/O, 6mA, PU	Scan Data Bit. Scan Data Input from A/D; Data Output for I/O writes
SCANDATA1	67	I/O, 6mA, PU	Scan Data Bit. Scan Data Input from A/D; Data Output for I/O writes
SCANDATA2	66	I/O, 6mA, PU	Scan Data Bit. Scan Data Input from A/D; Data Output for I/O writes
SCANDATA3	65	I/O, 6mA, PU	Scan Data Bit. Scan Data Input from A/D; Data Output for I/O writes
SCANDATA4	62	I/O, 6mA, PU	Scan Data Bit. Scan Data Input from A/D; Data Output for I/O writes
SCANDATA5	61	I/O, 6mA, PU	Scan Data Bit. Scan Data Input from A/D; Data Output for I/O writes
SCANDATA6	60	I/O, 6mA, PU	Scan Data Bit. Scan Data Input from A/D; Data Output for I/O writes
SCANDATA7	59	I/O, 6mA, PU	Scan Data Bit. Scan Data Input from A/D; Data Output for I/O writes
SCANDATA8	58	I/O, 6mA, PU	Scan Data Bit. Scan Data Input from A/D; Data Output for I/O writes
SCANDATA9	57	I/O, 6mA, PU	Scan Data Bit. Scan Data Input from A/D; Data Output for I/O writes
SCANDATA10	56	I/O, 6mA, PU	Scan Data Bit. Scan Data Input from A/D; Data Output for I/O writes
SCANDATA11	55	I/O, 6mA, PU	Scan Data Bit. Scan Data Input from A/D; Data Output for I/O writes
MUXCTL0	49	O, 6mA, TS, PD	MUX Control Bit. Analog scan data input MUX selector
MUXCTL1	50	O, 6mA, TS, PD	MUX Control Bit. Analog scan data input MUX selector

ADCCLK	48	O, 6mA, TS, PD	A/D Clock. Provides the analog-to-digital converter clock
CLAMP	42	O, 6mA, TS, PD	Programmable Clamp. Provides a Programmable Clamping Signal
SH1	43	O, 6mA, TS, PD	Sample/Hold 1. Programmable Sample and Hold Signal
SH2	44	O, 6mA, TS, PD	Sample/Hold 2. Programmable Sample and Hold Signal
REFP	45	O, 6mA, TS, PD	A/D Positive Ref. Adjustable PWM Ref + for the A/D
REFN	46	O, 6mA, TS, PD	A/D Negative Ref. Adjustable PWM Ref – for the A/D
OFFSET	47	O, 6mA, TS, PD	A/D Offset. Adjustable PWM offset control
GAIN	41	O, 6mA, TS, PD	A/D Gain. Adjustable PWM gain control
PHI1	70	O, 6mA, TS, PD	CCD Clock Phase 1. Output Phase 1 Clock for CCD usage
PHI2	71	O, 6mA, TS, PD	CCD Clock Phase 2. Output Phase 2 Clock for CCD usage
RS1 / CISCLK	72	O, 6mA, TS, PD	Reset 1 Clock. Output Reset 1 Clock for CCD or Clk for CIS
RS2	73	O, 6mA, TS, PD	Reset 2 Clock. Output Reset 2 Clock for CCD
ST/SI/SG1	74	O, 6mA, TS, PD	Shift Gate 1. Output Shift Gate Signal or end of line Clk
SG2	75	O, 6mA, TS, PD	Shift Gate 2. Output Shift Gate 2 Signal
LEDR	79	O, 6mA, TS, PD	Red LED Control. Output Signal to control the Red Led
LEDG	80	O, 6mA, TS, PD	Green LED Control. Output Signal to control the Green Led
LEDB / LAMP	81	O, 6mA, TS, PD	Blue LED Control. Output Signal to control the Blue Led or Lamp
PELSTROBE	82	O, 6mA, TS, PD	Pixel Strobe. This output pulses after each pixel cycle. Rising edge captures pixel data for NET1031.
GIOPEL0	83	I/O, 12mA, PU	General Pixel-based I/O bit. Programmable I/O, PWM or Digital.
GIOPEL1	84	I/O, 12mA, PU	General Pixel-based I/O bit. Programmable I/O, PWM or Digital
GIOPEL2	85	I/O, 12mA, PU	General Pixel-based I/O bit. Programmable I/O, PWM or Digital
GIOPEL3	86	I/O, 12mA, PU	General Pixel-based I/O bit. Programmable I/O, PWM or Digital
GIOLINE0	90	I/O, 12mA, PU	General Line-based I/O bit. Programmable I/O, PWM or Digital
GIOLINE1	91	I/O, 12mA, PU	General Line-based I/O bit. Programmable I/O, PWM or Digital
GIOLINE2	92	I/O, 12mA, PU	General Line-based I/O bit. Programmable I/O, PWM or Digital
GIOLINE3	93	I/O, 12mA, PU	General Line-based I/O bit. Programmable I/O, PWM or Digital
ABORT#	135	I, PU	Abort Scan. Abort Scan control
WR#	141	O, 12mA, TS, PU	Write Strobe. Write strobe for external SRAM and I/O writes
RD#	142	O, 12mA, TS, PU	Read Strobe. Read strobe for external SRAM and I/O reads
SRAMCS0#	143	O, 6mA, TS, PU	SRAM Chip Select. Chip Select 0 for the external SRAM
SRAMCS1#	144	O, 6mA, TS, PU	SRAM Chip Select. Chip Select 1 for the external SRAM
SRAMCS2#	1	O, 6mA, TS, PU	SRAM Chip Select. Chip Select 2 for the external SRAM
SRAMCS3#	2	O, 6mA, TS, PU	SRAM Chip Select. Chip Select 3 for the external SRAM
IOCS#	13	O, 6mA, TS, PU	I/O Chip Select. Chip select for external I/O cycles.

SRAMADDR0	15	O, 12mA, TS, PU	SRAM Address Bus Bit. Address Bus to external image SRAM or I/O device
SRAMADDR1	16	O, 12mA, TS, PU	SRAM Address Bus Bit. Address Bus to external image SRAM or I/O device
SRAMADDR2	17	O, 12mA, TS, PU	SRAM Address Bus Bit. Address Bus to external image SRAM or I/O device
SRAMADDR3	18	O, 12mA, TS, PU	SRAM Address Bus Bit. Address Bus to external image SRAM or I/O device
SRAMADDR4	19	O, 12mA, TS, PU	SRAM Address Bus Bit. Address Bus to external image SRAM or I/O device
SRAMADDR5	22	O, 12mA, TS, PU	SRAM Address Bus Bit. Address Bus to external image SRAM or I/O device
SRAMADDR6	23	O, 12mA, TS, PU	SRAM Address Bus Bit. Address Bus to external image SRAM or I/O device
SRAMADDR7	24	O, 12mA, TS, PU	SRAM Address Bus Bit. Address Bus to external image SRAM or I/O device
SRAMADDR8	25	O, 12mA, TS, PU	SRAM Address Bus Bit. Address Bus to external image SRAM or I/O device
SRAMADDR9	26	O, 12mA, TS, PU	SRAM Address Bus Bit. Address Bus to external image SRAM or I/O device
SRAMADDR10	27	O, 12mA, TS, PU	SRAM Address Bus Bit. Address Bus to external image SRAM or I/O device
SRAMADDR11	28	O, 12mA, TS, PU	SRAM Address Bus Bit. Address Bus to external image SRAM or I/O device
SRAMADDR12	29	O, 12mA, TS, PU	SRAM Address Bus Bit. Address Bus to external image SRAM or I/O device
SRAMADDR13	30	O, 12mA, TS, PU	SRAM Address Bus Bit. Address Bus to external image SRAM or I/O device
SRAMADDR14	33	O, 12mA, TS, PU	SRAM Address Bus Bit. Address Bus to external image SRAM or I/O device
SRAMADDR15	34	O, 12mA, TS, PU	SRAM Address Bus Bit. Address Bus to external image SRAM
SRAMADDR16	35	O, 12mA, TS, PU	SRAM Address Bus Bit. Address Bus to external image SRAM
SRAMADDR17	36	O, 12mA, TS, PU	SRAM Address Bus Bit. Address Bus to external image SRAM
SRAMADDR18	37	O, 12mA, TS, PU	SRAM Address Bus Bit. Address Bus to external image SRAM
SRAMDATA0	12	I/O, 12mA, PU	SRAM Data Bus Bit. Data Bus to / from external SRAM or I/O device
SRAMDATA1	11	I/O, 12mA, PU	SRAM Data Bus Bit. Data Bus to / from external SRAM or I/O device
SRAMDATA2	10	I/O, 12mA, PU	SRAM Data Bus Bit. Data Bus to / from external SRAM or I/O device
SRAMDATA3	9	I/O, 12mA, PU	SRAM Data Bus Bit. Data Bus to / from external SRAM or I/O device
SRAMDATA4	6	I/O, 12mA, PU	SRAM Data Bus Bit. Data Bus to / from external SRAM or I/O device

SRAMDATA5	5	I/O, 12mA, PU	SRAM Data Bus Bit. Data Bus to / from external SRAM or I/O device																				
SRAMDATA6	4	I/O, 12mA, PU	SRAM Data Bus Bit. Data Bus to / from external SRAM or I/O device																				
SRAMDATA7	3	I/O, 12mA, PU	SRAM Data Bus Bit. Data Bus to / from external SRAM or I/O device																				
MVR	126	O, 6mA, TS, PD	Throttle. Stepper motor throttle control																				
P1	127	O, 6mA, TS, PD	Energize Phase 1. Energize Phase 1 of Stepper Motor																				
P2	128	O, 6mA, TS, PD	Energize Phase 2. Energize Phase 2 of Stepper Motor																				
DS1	131	O, 6mA, TS, PU	Disable Phase 1. Disable Phase 1 of Stepper Motor																				
DS2	132	O, 6mA, TS, PU	Disable Phase 2. Disable Phase 2 of Stepper Motor																				
S0	133	O, 6mA, TS, PD	Voltage Reference Selector. Select one of four voltage references for Stepper Motor.																				
S1	134	O, 6mA, TS, PD	Voltage Reference Selector. Select one of four voltage references for Stepper Motor.																				
INITSEL0	103	I, PU	Initialization Select Bit 0. Select source of register initialization data.																				
INITSEL1	102	I, PU	Initialization Select Bit 1. Select source of register initialization data.																				
INITSEL2	101	I, PU	Initialization Select Bit 2. Select source of register initialization data. <table border="0"> <tr> <td>Bit</td> <td></td> </tr> <tr> <td><u>2</u></td> <td><u>1</u> <u>0</u> Source</td> </tr> <tr> <td>0</td> <td>0 0 E²PROM (93CS46, 93CS06)</td> </tr> <tr> <td>0</td> <td>0 1 E²PROM (93CS56, 93CS66)</td> </tr> <tr> <td>0</td> <td>1 0 Serial ROM 1 (TBD)</td> </tr> <tr> <td>0</td> <td>1 1 Serial ROM 2 (TBD)</td> </tr> <tr> <td>1</td> <td>0 0 IDSEL pins determine lower 6 bits of Product ID.</td> </tr> <tr> <td>1</td> <td>0 1 Reserved</td> </tr> <tr> <td>1</td> <td>1 0 Reserved</td> </tr> <tr> <td>1</td> <td>1 1 Use default values</td> </tr> </table>	Bit		<u>2</u>	<u>1</u> <u>0</u> Source	0	0 0 E ² PROM (93CS46, 93CS06)	0	0 1 E ² PROM (93CS56, 93CS66)	0	1 0 Serial ROM 1 (TBD)	0	1 1 Serial ROM 2 (TBD)	1	0 0 IDSEL pins determine lower 6 bits of Product ID.	1	0 1 Reserved	1	1 0 Reserved	1	1 1 Use default values
Bit																							
<u>2</u>	<u>1</u> <u>0</u> Source																						
0	0 0 E ² PROM (93CS46, 93CS06)																						
0	0 1 E ² PROM (93CS56, 93CS66)																						
0	1 0 Serial ROM 1 (TBD)																						
0	1 1 Serial ROM 2 (TBD)																						
1	0 0 IDSEL pins determine lower 6 bits of Product ID.																						
1	0 1 Reserved																						
1	1 0 Reserved																						
1	1 1 Use default values																						
EECS/IDSEL0	100	I/O, 6mA, PD	E²PROM Chip Select/ID Select bit 0.																				
EESK/IDSEL1	99	I/O, 6mA, PD	E²PROM Clock/ID Select bit 1.																				
EEDI/IDSEL2	98	I/O, 6mA, PD	E²PROM Write Data/ID Select bit 2.																				
EEDO/IDSEL3	97	I, PU	E²PROM Read Data/ID Select bit 3.																				
IDSEL4	96	I, PU	ID Select bit 4.																				
IDSEL5	95	I, PU	ID Select bit 5.																				
RESET#	115	I, S, PU	Reset. Connect to local or power-on reset. To reset when the oscillator is stopped (initial power-up or in suspend state), assert for at least 2 ms. When oscillator is running, assert for at least five 48-MHz clock periods.																				
LRESET#	119	O, 6mA, TS, PU	Local Reset. This active low output is asserted when either the RESET# pin is asserted, or a USB upstream port reset is detected. This signal is not driven while the device is suspended, but will be pulled high by the internal pull-up resistor.																				

DM	138	I/O	USB Data Port. DP and DM are differential data signals of the USB data port.
DP	137	I/O	USB Data Port. DP and DM are differential data signals of the USB data port. An external 1.5 K Ω resistor must be connected from DP to +3.3V. This pull-up resistor indicates to the host or upstream hub that a full-speed device is connected to the USB.
DEVCFG#	117	O, 6mA, TS, PD	Device Configured. This active low output is true when the USB host has configured the NET1031. This bit is initialized to inactive (high) during reset and is set true when the host issues a Set Configuration request. This signal is not driven while the device is suspended, but will be pulled low by the internal pull-down resistor.
USBOE#	118	O, 6mA, TS, PU	USB Port Output Enable. This is an active low output that is asserted when the NET1031 is driving the USB port data lines. This signal is not driven while the device is suspended, but will be pulled high by the internal pull-up resistor.
PWRGOOD	112	I, S, PD	Power Good. This active high input indicates that an external power supply used for self-powered mode is operational.
SUSP#	116	O, 6mA, TS, PD	Device Suspended. This active low output is true when the USB host has suspended the NET1031. This signal is not driven while the device is suspended, but will be pulled low by the internal pull-down resistor.
LCLK	52	O, 6mA, TS, PD	Local Clock. This clock is derived from the 6-MHz crystal or oscillator connected to CLKIN. This signal is not driven while the device is suspended, but will be pulled low by the internal pull-down resistor. The USB Control Register selects the frequency of this pin (0, 6, 12, 24, 48 MHz).
TESTOUT	120	O	Test Output. Leave as No Connect
TEST	111	I, PD	Test Mode. Set to 0 for normal operation.
XIN	122	I	6 MHz Oscillator Input. Connect to 6 MHz crystal or external oscillator module.
XOUT	123	O	6 MHz Oscillator Output. Connect to 6 MHz crystal, or leave unconnected if using an external oscillator module. The oscillator stops when the USB Host suspends the device.
TSTCLK	110	I, PD	PLL Test Clock. Clock input for PLL testing. Set to 0 or leave as no connect.
TSTPLL	109	I, PD	PLL Test Enable. Set to 0 or leave as no connect.
ENHI	108	I, PU	PLL Enable. Set to 0 to bypass the PLL. In this case, an external 48 MHz signal must be applied to the XIN input.
VDDPLL	107	Pwr	PLL Supply Voltage. VDDPLL = 3.3V
VSSPLL	104	Gnd	PLL Supply Voltage. VSSPLL = GND
VIN	106	I	PLL Filter Input Connect to VOUT with an RC (46K Ω , 64pF) to ground.
VOUT	105	O	PLL Filter Output
VDD (VDDCORE)	39, 76, 121, 136	Pwr	Core Supply Voltage. VDD = 3.3V
VDDL (VDDSCAN)	7, 20, 31, 53, 63, 87, 129	Pwr	Scanner-side Supply Voltage. Dual voltage, VDDL = 3.3V or 5.0V

VSS	8, 21, 32, 40, 54, 64, 77, 88, 124, 130, 139	Gnd	Device Ground.
NC	14, 38, 51, 69, 78, 89, 94, 113, 114, 125, 140,		No Connect. Do not connect these pins.

Note: All TS and I/O pins are tri-stated during the Suspend state.

4 Functional Description

4.1 Start-Up

Before the NET1031 is ready to perform scanning functions, a sequence of operations must occur, involving the NET1031, the USB driver stack, and the host Scanner driver. First, the NET1031 reads required USB parameters from the external serial memory device. Next, the USB driver stack must enumerate the NET1031. Finally the host scanner driver configures the NET1031 with the correct parameters for the scanner.

4.1.1 Reading from Initialization Device

When the NET1031 first comes out of a reset applied at its RESET# input pin or provided by the USB host, it reads various parameters required by the USB host from an external serial memory. The INITSEL[2:0] pins determine the source of the initialization parameters. The NET1031 generates all signals necessary to read the data from the serial memory, so no interaction is required from the scanner hardware. Until this data is read, the NET1031 will respond to host requests for a configuration descriptor or device descriptor with a NAK. If no valid serial memory device is installed, then either the default values are used, or the lower six bits of the product ID can be modified using the IDSEL input pins. These options are selected using the INITSEL[2:0] pins.

4.1.2 Enumeration by the Host PC

USB defines a set of descriptor requests and calls that are part of the enumeration process. The NET1031 responds to these requests. When enumeration is complete, the USB host will perform a “Set Configuration” request, which signals the end of the enumeration process. The NET1031’s DEVCFG# output pin will activate. At that point, control over the NET1031 is passed to the host scanner driver.

As part of the enumeration process, the USB host issues a Get Device Descriptor request, which the NET1031 answers with various parameters, including the Vendor ID and Product ID read from the external serial memory. This Vendor ID and Product ID allow the host to associate the vendor-supplied scanner driver with the NET1031.

4.1.3 Configuration by the Scanner Driver

Before a scan may be performed, the host PC’s scanner driver must configure the NET1031. The registers programming the PWM signals and other parameters must be initialized. Any register for which the default values are not appropriate should be set.

4.1.4 Global Calibration

An optional step is to perform Global Calibration. Global Calibration should be performed once when the scanner is plugged into a PC for the first time. Subsequent calibrations are optional, since the calibration data may be stored in the Host PC after the first time, and downloaded to the scanner on subsequent plug-ins.

4.2 Initialization Interface

The NET1031 can be initialized at reset time from several sources, selected by the INITSEL[2:0] bits. The initialization must be completed before the NET1031 will respond to Device Descriptor requests from the host.

INITSEL[2:0]	Source
0	E ² PROM (93CS06, 93CS46)
1	E ² PROM(93CS56, 93CS66)
2	Reserved
3	Reserved
4	IDSEL Pins
5	Reserved
6	Reserved
7	Default

4.2.1 E²PROMs (93CS06, 93CS46, 93CS56, 93CS66)

The 93CS06 (32 bytes), 93CS46 (128 bytes), 93CS56 (256 bytes), or the 93CS66 (512 bytes), can be used to initialize registers in the NET1031. Each of these devices has a 4-wire MicroWire™ serial interface. After reset is negated, the INITSEL bits are sampled to determine the source of the initialization information. If INITSEL[2:0] = 0 or 1, then the NET1031 will determine if a non-blank E²PROM is connected. If no E²PROM is detected, or the device is blank (first word is FFFF), then the default register values will be reported to the Host PC. Otherwise the following required fields are loaded into the NET1031 from the E²PROM. These required fields are reported in the Device and Configuration descriptors during USB device enumeration. Information is stored in the EEPROM as 16-bit words. For string descriptors, bits 7:0 of an EEPROM word are returned to the host first, followed by bits 15:8.

Table 4-1: Required Serial E²PROM Fields

Word Index	Contents	Default Value
0	Vendor ID. This field is reported to the Host PC in the USB device descriptor's "Vendor ID" field during enumeration.	0x0525
1	Product ID. This field is reported to the Host PC in the USB device descriptor's "Product ID" field during enumeration.	0x1031
2	Revision ID. This field is reported to the Host PC in the USB device descriptor's "Revision ID" field during enumeration.	0xr _{rrr} , r _{rrr} = Silicon Rev #
3	Max Power. This field is reported to the Host PC in the USB configuration descriptor's "Max Power" field during enumeration. It is reported in units of 2mA. This field should reflect the maximum current drawn by the scanner from the USB power pins.	0x0032
4	USB Features 1. This field breaks down into several control bits that are reported to the Host PC in the USB device descriptor and configuration descriptor. See USB Control Register 1 for details.	0x0103
5	USB Features 2. This field breaks down into several control bits that are reported to the Host PC in the USB device descriptor and configuration descriptor. See USB Control Register 2 for details.	0x0001
6 (bits 15:8)	Language ID String Start Index.	0x0000
6 (bits 7:0)	Manufacturer String Start Index.	0x0000
7 (bits 15:8)	Product String Start Index.	0x0000
7 (bits 7:0)	Serial Number String Start Index.	0x0000

In addition, if any “String Enable” fields are set in **USB Control Register 2**, the fields in Table 4-2 must be defined.

Table 4-2: Additional Serial E²PROM Fields for String Descriptors

Word Index	Contents
8-9	Reserved. Write these words as a zero.
0Ah-FFh	Available. This range of the serial EPROM is available for defining string descriptors.

If no string descriptors are used, the E²PROM image may be as short as 8 words (to provide the required fields to the Host PC). With string descriptors, the E²PROM can end at the end of the last string descriptor’s definition.

The MicroWire EEPROMs can be accessed from host using the EEADDR and EEDATA registers. For an EEPROM write, the host first writes the data to the EEDATA register. Then the write is initiated by writing the EEPROM address, Read/Write bit, and Start bit to the EEADDR register. The host may then poll the Start bit until it is cleared, indicating that the write operation is complete.

An EEPROM read is initiated by writing the EEPROM address, Read/Write bit, and Start bit to the EEADDR register. The host may then poll the Start bit until it is cleared, indicating that the read operation is complete. The data is then read from the EEDATA register.

For EEPROMs that are not MicroWire compatible, the host can directly manipulate the EEPROM control signals using the EECTL register. Note that the EEPROM control signals are enabled only if the INITSEL pins are not set to 4.

4.2.2 IDSEL Pin Initialization

If INITSEL[2:0] = 4, then the least significant 6 bits of the idProduct field in the device descriptor are determined by the IDSEL[5:0] pins. All other initialization values are left in the default state.

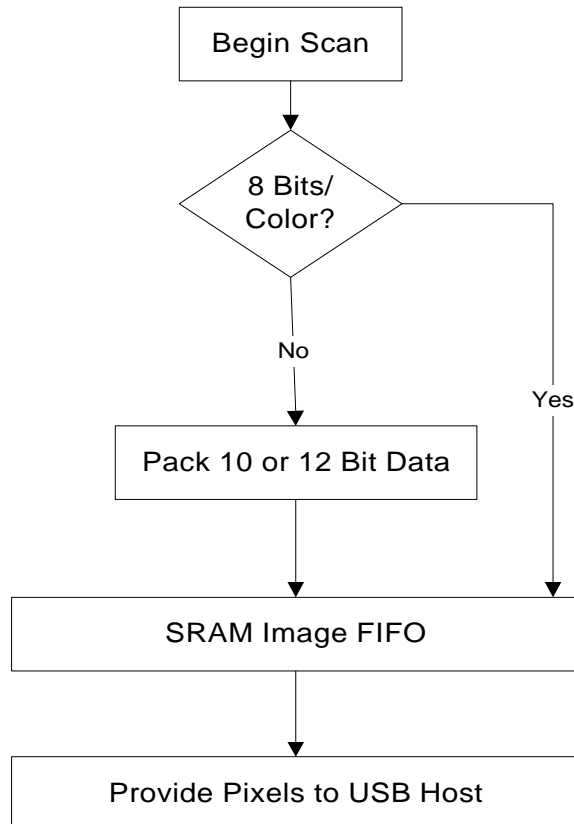
4.3 Scanner Functions

4.3.1 CCD/CIS Control

The NET1031 can control a wide variety of CIS and CCD sensors. The CIS and CCD control signals are programmable pulse width modulated (PWM) signals. See Section 9 for a description of the PWM signals.

4.3.2 General Data Flow

Figure 4-1: General Image Data Flow



4.3.3 Analog Block Interface

Analog image acquisition support signals are also generated using pulse-width modulation (PWM) techniques. PWM signals, in conjunction with an external RC circuit, provide a mechanism for generating digital control signals and analog voltages to control the analog block. Signals such as Gain and Offset can therefore be specified at analog voltage levels. See Section 9 for a description of the PWM signals.

4.3.4 Stepper Motor Control

The NET1031 can control a variety of stepper motors. The enable, disable, and voltage reference selector signals for two phases are present and fully programmable as PWM signals.

4.3.5 Image Buffering in SRAM

Image data, once it is scanned, is placed in the external SRAM by the NET1031 to be queued for transmission over USB. The SRAM allows the scanner to continue a scan in progress if a host PC temporarily slows in reading data from the NET1031. The NET1031 supports the following memory configurations:

SRAM Type	Max Number of Rams	Total Max Memory	Buffering*
32Kx8	4	128K	116 msec
128Kx8	4	512K	509 msec
512Kx8	4	2M	2.08 sec

- Assume a typical scenario of 24 bits per pixel at a rate of 3 usec per pixel. The SRAM buffer is able to store pixel data for the time period shown in the chart, and is calculated as follows:

$$\text{Buffering time} = (\text{Max Memory}) * (8/\text{bits per pixel}) * (\text{pixel time}) = (83\text{K}) * (8/24) * (3\text{usec}) = 83 \text{ msec}$$

- At 36 bits per pixel, the buffering time is:

$$\text{Buffering time} = (\text{Max Memory}) * (8/\text{bits per pixel}) * (\text{pixel time}) = (83\text{K}) * (8/36) * (3\text{usec}) = 55 \text{ msec}$$

The SRAM buffer generally does not contain enough memory to store an entire image, so on average the Host PC must accept data at a rate greater than or equal to the scan rate. If this condition is not met, the SRAM buffer may fill. At that point, the NET1031 will have to slow and/or stop the scan operation while waiting for room to become available in the SRAM. The NET1031 can adjust the scanning speed to half speed, or stop as it approaches multiple threshold levels of memory filled in the SRAM.

4.3.6 General I/O Pins

The NET1031 includes 8 general input/output pins. Each of these eight pins may be independently configured as digital inputs, digital outputs, or PWM outputs. Outputs may be totem-pole or open-drain. When configured as PWM outputs, four General I/O pins (GIOLINE0-GIOLINE3) can have transitions programmed in units of scanlines, while four pins (GIOPEL0-GIOPEL3) can have transitions programmed in units of pixel timing. When configured as inputs, the value of the eight pins may be read from the General I/O registers. Some potential uses of these pins are:

- Paper Out: input asserted when a sheet of paper has moved out of the scanner (from auto-feed system).
- Paper In: input asserted when a sheet of paper is in the scanner.
- Restore Sensor: input asserted when the scanhead of a flatbed scanner has restored to the home position.
- Page Feed: output to cause an auto-feeder to feed the next page into the scanner.
- Serial A/D Controls: outputs that allow analog-to-digital converter control registers to be written using a serial protocol.
- Start Scan: In a push model, this input from a front panel pushbutton could cause a scanning application to start.

- Front Panel LED: Output to cause an LED to be illuminated when USB communications are established.

4.3.7 Abort# Pin

When this active low input is asserted, a status bit is set which indicates to the host that it should stop the scan. Also, the **Enable Stepper** and **Enable Pixel Processing** bits in the MASTERCTL register are cleared. When **Enable Stepper** is cleared, the stepper control output pins are returned to their default state.

4.4 USB Interface

The interface from the NET1031 to USB allows the Host PC to accept scanned data, access registers, read and write SRAM data, perform I/O operations, and control the scanner operation.

4.4.1 Default Control Pipe (Endpoint 0x00)

Endpoint 0 is a bi-directional USB control endpoint which processes 8-byte packets to/from the Host PC. Each packet is decoded and USB control read and write 'requests' are handled automatically. Endpoint 0 supports the required USB protocol read and write requests (e.g. descriptor reads), as well as vendor-specific extensions. The vendor-specific extensions provide the capability to read and write registers and perform external I/O read and write operations.

4.4.2 SRAM Write Pipe (Endpoint 0x01)

Endpoint 0x01 is a USB bulk OUT endpoint that accepts packets up to 64 bytes in length. The SRAM Write Endpoint will write data received to this endpoint to the SRAM beginning at the address specified by the **SRAMADDR** register. The **SRAMADDR** register is auto-incremented as the data is written.

4.4.3 SRAM/Image Data Read Pipe (Endpoint 0x81)

Endpoint 0x81 is a USB bulk IN endpoint which will transmit packets of 64 bytes. A bit in the MASTERCTL configuration register, EP81 Mode, determines the source of data for this endpoint. When the EP81 Mode bit is low, this endpoint responds to an IN token with scanned image data from the external SRAM FIFO, as it becomes available. When the EP81 Mode bit is high, this endpoint responds to an IN token with 64 bytes of SRAM data, beginning at the address specified by the **SRAMADDR** register. The **SRAMADDR** register is auto-incremented as the data is read.

4.4.4 Status Input Pipe (Endpoint 0x82)

Endpoint 0x82 is a USB interrupt IN endpoint that transmits status information each time it is polled by the USB host. The transmitted information is:

Byte 0 : SCANCHG register (LSB)
Byte 1 : SCANCHG register (MSB)
Byte 2 : IOCHG register (LSB)
Byte 3 : IOCHG register (MSB)

4.5 I/O Space Access

To support external programmable components, the NET1031 can write and read data by providing generic I/O bus signaling. RD# and WR# strobes are also provided, as well as an IOCS# signal to indicate that we are currently operating in I/O space. When the Host PC issues a request to write to an I/O address, the NET1031 issues a 15-bit address from the SRAMADDR[14:0] pins. Bit 15 of the address is used to select between internal register accesses and external I/O accesses. If **IO Space Data Bus Select** in the MEMIOCTL register is low, the upper 12 bits of data are driven out on the SCANDATA[11:0] pins. If the **IO Space Data Bus Select** is high, the lower bits of data are driven out on the SRAMDATA[7:0] pins. For read cycles, if **IO Space Data Bus Select** is low, the data is read in from the SCANDATA[11:0] pins and returned in the most significant 12 bits. If **IO Space Data Bus Select** is high, the data is read in from the SRAMDATA[7:0] pins and returned in the least significant 8 bits.

4.6 Suspend Mode

When there is a three-millisecond period of inactivity on the USB, the USB specification requires a device to enter into a low-power suspended state. While in this state the device may not draw more than 500 μ A of current from the USB connector's power pins. To facilitate this, the NET1031 automatically enters the suspend state after detecting the three millisecond period of inactivity. Additionally, the NET1031 allows local bus hardware to initiate a "device remote wake-up" to the USB. When a suspend state is detected, a scan in progress will be aborted at the end of the current line.

4.6.1 The Suspend Sequence

The typical sequence of a suspend operation is as follows:

- During device configuration, a bit is set in the USB Control register which enables the suspend feature. (Devices which are self-powered may not need the NET1031 to enter the suspend state)
- When the USB is idle for three milliseconds, the NET1031 enters the suspend state, if enabled.

In the suspended state, the NET1031's oscillator shuts down, and most output pins are tri-stated to conserve power (see section 3, **Pin Description**). As the NET1031 enters the suspend state, the SUSP# output pin will be driven low for 20 nsec and then floated. It has an internal pull-down resistor to keep it low during suspend. Note that input pins on the NET1031 which do not have an internal pull-up or pull-down resistors should not be allowed to float during suspend mode. The NET1031 will leave suspend mode by detecting a host initiated wake-up or by a device remote wake-up.

4.6.2 Host-Initiated Wake-Up

The host may wake up the NET1031 by driving any non-idle state on the USB. The NET1031 will detect the host's wake-up request, and re-starts its internal oscillator. Two milliseconds later, the SUSP# output signal is driven high to indicate that the NET1031 has completed its wake-up.

4.6.3 Device-Remote Wake-Up

The device hardware signals a device remote wake-up by driving one of the GIOPEL or GIOLINE pins to the active state. The GIO pin and polarity are set in the USB Control Register. If the **Device Remote Wake-up Enable** bit is set, the NET1031 will send a 10-ms wake-up signal to the USB host, and concurrently re-start its local oscillator. Two milliseconds after the wakeup pin is asserted, the SUSP# line is driven high to indicate that the NET1031 has completed its wake-up.

4.7 Root Port Reset

If the SIE in the NET1031 detects a single-ended zero on the root port for greater than 2.5 microseconds, it is interpreted as a root port reset. The LRESET# output pin is asserted, and the following resources are reset:

- SIE
- USB state machines
- Scanner state machines
- **Device Configured** output pin, DEVCFG#
- All configuration registers

4.8 NET1031 Power Configuration

The USB specification defines both bus-powered and self-powered devices. A *bus-powered* device is a peripheral that derives all of its power from the upstream USB connector, while a *self-powered* device has an external power supply. The NET1031 is well suited for both types of applications.

The most significant consideration when deciding whether to build a bus-powered or a self-powered device is power consumption. The USB specification specifies the following requirements for maximum current draw:

- A peripheral not configured by the host may draw only 100 mA from the USB power pins.
- A device may not draw more than 500 mA from the USB connector's power pins.
- In suspend mode, the peripheral may not draw more than 500 μ A from the USB connector's power pins

If these power considerations can be met without the use of an external power supply, the peripheral can be bus-powered; otherwise a self-powered design should be implemented.

4.8.1 Bus-Powered Device

If the scanner signals are powered at 3.3 Volts, the V_{DD} and V_{DDL} pins of the device are connected to a 3.3 Volt regulated source derived from the USB 5.0 volt power pin. For 5.0 volt scanner signals, the V_{DDL} pin may be connected directly to the USB 5.0 Volt power pin, while the V_{DD} pins must still be connected to 3.3 Volts through a regulator. The rest of the scanner-side circuitry is also connected to the USB power pin, either through a regulator or directly. Therefore, the peripheral's scanner circuitry and the NET1031 will all power up simultaneously, and initialization can occur normally with a power-on reset.

4.8.2 Self-Powered Device

Generally, a peripheral with higher power requirements will be self-powered. In a self-powered device, the NET1031 V_{DD} and V_{DDL} pins are powered by the device power supply. The USB connector's power pin is connected only to the 1.5 K Ω pull-up resistor on DP.

5 Register Descriptions

The NET1031 contains a 256 x 16-bit local register space that can be accessed by the Host over USB using Endpoint 0. When the NET1031 receives a RESET signal from the RESET# pin or from a USB RESET command, the registers are set to their default values.

Writes to reserved registers are ignored, and reads from reserved registers return a value of 0. For compatibility with future revisions, unused bits within a register should always be written with a zero.

Registers are organized in the address space according to function, as shown below:

Address Range	Register Set	Register Set Description
00 h - 2F h	Control	Control, Configuration, and Status Registers.
30 h - 3F h	(Reserved)	Reserved for future use
40 h - 8F h	Pixel-based waveforms	Configuration registers for pixel-based programmable signals
90 h - CF h	Line-based waveforms	Configuration registers for line-based programmable signals
D0 h - EF h	Stepper-based waveforms	Configuration registers for stepper-based programmable signals
F0 h - FF h	USB	USB Descriptor registers

5.1 Control Registers Description

5.1.1 Control Registers Summary

Address	Register Name	Register Description
00 h	MASTERCTL	Master Control
01 h	MEMIOCTL	Memory, I/O Control
02 h	PIXCTL	Pixel Control
03 h	IOCFG	I/O Pin Configuration
04 h	SCANSTAT	Scanner Status
05 h	IOSTAT	I/O Pin Status
06 h	SCANCHG	Scanner Status Change
07 h	IOCHG	I/O Pin Status Change
08 h	SRAMADDR1	SRAM Address, MSW
09 h	SRAMADDR0	SRAM Address, LSW
0A h - 0F h	(Reserved)	
10 h	SRAMBASE1	SRAM FIFO Base Address, MSW
11 h	SRAMBASE0	SRAM FIFO Base Address, LSW
12 h	SRAMTOP1	SRAM FIFO Top Address, MSW
13 h	SRAMTOP0	SRAM FIFO Top Address, LSW
14 h	FIFOFSTHR1	FIFO Full-Speed Threshold, MSW
15 h	FIFOFSTHR0	FIFO Full-Speed Threshold, LSW
16 h	FIFOHSTHR1	FIFO Half-Speed Threshold, MSW
17 h	FIFOHSTHR0	FIFO Half-Speed Threshold, LSW
18 h	FIFOSTOPTHR1	FIFO Stop Threshold, MSW
19 h	FIFOSTOPTHR0	FIFO Stop Threshold, LSW
1A h	FIFOCOUNT1	FIFO Byte Count, MSW
1B h	FIFOCOUNT0	FIFO Byte Count, LSW
1C h	FIFOSTAT	FIFO Status
1D h - 1F h	(Reserved)	
20 h	COLORCYCLE	Color Cycle Time Period
21 h	PELCYCLE	Pixel Cycle Time Period
22 h	LINECYCLE	Line Cycle Time Period
23 h	STEPCYCLE	Stepper Cycle Time Period
24 h	(Reserved)	
25 h	PELSTROBE	Pixel Strobe Control
26 h	COLORSTART	Color Cycle Start Offset
27 h	PELSTART	Pixel Cycle Start Offset
28 h	FIRSTPEL	First Active Pixel
29 h	LASTPEL	Last Active Pixel
2A h	FIRSTLINE	First Scan Line
2B h	LASTLINE	Index of Last Scan Line
2C h - 2F h	(Reserved)	

5.1.2 (Address 00h; MASTERCTL) Master Control

Bits	Description	Read	Write	Default Value
15:7	Reserved.	Yes	No	0
6	Session Reset. Writing a 1 to this bit causes the Image Data FIFO to be flushed. The read and write FIFO pointers are reset to the value in the SRAMBASE registers. Also, the scanning logic is reset, and the SCANDONE bit (SCANSTAT[9]) is cleared.	No	Yes/Clr	0
5	EP81 Mode. If clear, endpoint 81 returns image data from the SRAM based FIFO. If set, endpoint 81 returns SRAM data selected by the SRAMADDR register.	Yes	Yes	0
4	Pixel Diagnostic Mode. If set, this bit enables a counter to provide scan data, instead of obtaining the data from the SCANDATA input pins.	Yes	Yes	0
3	Reserved.	Yes	No	0
2	Enable Pixel Processing. If set, this bit enables pixels to be received and processed. This bit is cleared when the ABORT# pin is asserted or Session Reset is asserted.	Yes	Yes	0
1	Enable Scanhead. If set, this bit enables the scanhead signals.	Yes	Yes	0
0	Enable Stepper. If set, this bit enables the stepper motor signals. This bit is cleared when the ABORT# pin is asserted, an end of scan is detected, Session Reset is asserted, or the device is suspended.	Yes	Yes	0

5.1.3 (Address 01h; MEMIOCTL) Memory, I/O Control

Bits	Description	Read	Write	Default Value														
15	I/O Space Data Bus Select. This bit selects which pins the data field of an I/O write request is driven out of. If clear, bits 11:0 of the USB register write value are driven out on SCANDATA[11:0]. If set, bits 7:0 of the USB register write value are driven out on SRAMDATA[7:0].	Yes	Yes	0														
14:12	Reserved.	Yes	No	0														
11:8	I/O Space Access Time. For I/O read cycles, this field determines the IOCS# setup time, address setup time, RD# width, address hold time, and IOCS# hold time. Note that all five of the parameters are always the same value. For I/O write cycles, this field determines the IOCS# setup time, address and data setup time, WR# width, address and data hold time, and IOCS# hold time. The access time is measured in 48-MHz clock tics, and valid values are from 1 to 15.	Yes	Yes	3														
7	Reserved	Yes	No	0														
6:4	SRAM Size. This field determines the size of the SRAMs being used. <table border="1" style="margin-left: 20px;"> <thead> <tr> <th>Value</th> <th>Size</th> </tr> </thead> <tbody> <tr> <td>000</td> <td>32Kx8</td> </tr> <tr> <td>001</td> <td>64Kx8</td> </tr> <tr> <td>010</td> <td>128Kx8</td> </tr> <tr> <td>011</td> <td>256Kx8</td> </tr> <tr> <td>100</td> <td>512Kx8</td> </tr> <tr> <td>101-111</td> <td>reserved</td> </tr> </tbody> </table>	Value	Size	000	32Kx8	001	64Kx8	010	128Kx8	011	256Kx8	100	512Kx8	101-111	reserved	Yes	Yes	0
Value	Size																	
000	32Kx8																	
001	64Kx8																	
010	128Kx8																	
011	256Kx8																	
100	512Kx8																	
101-111	reserved																	
3:0	SRAM Access Time. For SRAM read cycles, this field determines the width of the SRAMCS[3:0]# and RD# controls. For SRAM write cycles, this field determines the width of the SRAMCS[3:0]# and WR# controls. The access time is measured in 48-MHz clock tics, and valid values are from 1 to 15.	Yes	Yes	2														

5.1.4 (Address 02h; PIXCTL) Pixel Control

Bits	Description	Read	Write	Default Value
15:5	Reserved.	Yes	No	0
4	BW/Color. If clear, the color mode is selected. If set, the black and white or grayscale mode is selected.	Yes	Yes	0
3:0	Bit Depth. This field selects the number of bits returned to the host for each color (color mode) or pixel (black and white or grayscale mode). The least significant bits from the SCANDATA bus are selected. If the BW/Color bit is cleared (color mode), valid values for this field are 8, 10, and 12. If the BW/Color bit is set (black and white or grayscale mode), valid values for this field are 8, 10, and 12.	Yes	Yes	0x8

5.1.5 (Address 03h; IOCFG) I/O Pin Configuration

Bits	Description	Read	Write	Default Value
15	GIOPEL3 Direction. If clear, this pin is an input. If set, this pin is an output.	Yes	Yes	0
14	GIOPEL2 Direction. If clear, this pin is an input. If set, this pin is an output.	Yes	Yes	0
13	GIOPEL1 Direction. If clear, this pin is an input. If set, this pin is an output.	Yes	Yes	0
12	GIOPEL0 Direction. If clear, this pin is an input. If set, this pin is an output.	Yes	Yes	0
11	GIOLINE3 Direction. If clear, this pin is an input. If set, this pin is an output.	Yes	Yes	0
10	GIOLINE2 Direction. If clear, this pin is an input. If set, this pin is an output.	Yes	Yes	0
9	GIOLINE1 Direction. If clear, this pin is an input. If set, this pin is an output.	Yes	Yes	0
8	GIOLINE0 Direction. If clear, this pin is an input. If set, this pin is an output.	Yes	Yes	0
7	GIOPEL3 Output Type. If clear, this pin is a digital output. If set, this pin is a PWM output. This field only affects I/O pins configured as outputs.	Yes	Yes	0
6	GIOPEL2 Output Type. If clear, this pin is a digital output. If set, this pin is a PWM output. This field only affects I/O pins configured as outputs.	Yes	Yes	0
5	GIOPEL1 Output Type. If clear, this pin is a digital output. If set, this pin is a PWM output. This field only affects I/O pins configured as outputs.	Yes	Yes	0
4	GIOPEL0 Output Type. If clear, this pin is a digital output. If set, this pin is a PWM output. This field only affects I/O pins configured as outputs.	Yes	Yes	0
3	GIOLINE3 Output Type. If clear, this pin is a digital output. If set, this pin is a PWM output. This field only affects I/O pins configured as outputs.	Yes	Yes	0
2	GIOLINE2 Output Type. If clear, this pin is a digital output. If set, this pin is a PWM output. This field only affects I/O pins configured as outputs.	Yes	Yes	0
1	GIOLINE1 Output Type. If clear, this pin is a digital output. If set, this pin is a PWM output. This field only affects I/O pins configured as outputs.	Yes	Yes	0
0	GIOLINE0 Output Type. If clear, this pin is a digital output. If set, this pin is a PWM output. This field only affects I/O pins configured as outputs.	Yes	Yes	0

5.1.6 (Address 04h; SCANSTAT) Scanner Status

Bits	Description	Read	Write	Default Value
15:10	Reserved.	Yes	No	0
9	Scan Done. If set, this bit indicates that a scan has completed. Once this bit is set, no scan data is written to SRAM, and the stepper enable bit (MASTERCTL[0]) is cleared. The line counter will not increment while this bit is set. The assertion of Session Reset clears this bit.	Yes	No	0
8	Transmit FIFO Overflow. If set, this bit indicates that an attempt was made by the scanner logic to write to the SRAM transmit FIFO when the transmit FIFO was full. The assertion of Session Reset clears this bit.	Yes	No	0
7	Scan Abort. The most recent scan was aborted due to the assertion of the ABORT# pin. Writing a 1 clears this bit if the ABORT# pin is not active.	Yes	Yes/Clr	0
6	Data Pending. There is image data in the SRAM FIFO waiting to be sent. The assertion of Session Reset clears this bit.	Yes	No	0
5	Transmit FIFO Full. If set, this bit indicates that the SRAM transmit FIFO is full. The assertion of Session Reset clears this bit.	Yes	No	0
4	Reserved.	Yes	No	0
3	Scan Half-Speed. An in-progress scan is currently progressing at ½ speed because the FIFO count crossed the FIFO half-speed scan threshold. The scan will resume at full speed when the FIFO count is lower than the full-speed scan threshold.	Yes	No	0
2	Scan Pixel FIFO Overflow. If set, this bit indicates that the 4-byte pixel FIFO has overflowed. The assertion of Session Reset clears this bit.	Yes	No	0
1	Scan Flow Control Stop. An in-progress scan will be stopped at the end of the current line because the FIFO count crossed the FIFO stop threshold. The scan resumes when the FIFOFSTHR threshold is reached.	Yes	No	0
0	Reset. The NET1031 is currently being reset. This bit will never read as a '1' since register reads are not possible during Reset time; however, the corresponding change bit in SCANCHG will remain active until cleared to indicate that the NET1031 has been reset.	Yes	No	0

5.1.7 (Address 05h; IOSTAT) I/O Pin Status

Bits	Description	Read	Write	Default Value
15:8	Reserved.	Yes	No	0
7	GIOPEL3. The value of this bit reflects the current state of this I/O pin. A register write to this bit will be driven out of this pin if it is configured as a digital output.	Yes	Yes	1
6	GIOPEL2. The value of this bit reflects the current state of this I/O pin. A register write to this bit will be driven out of this pin if it is configured as a digital output.	Yes	Yes	1
5	GIOPEL1. The value of this bit reflects the current state of this I/O pin. A register write to this bit will be driven out of this pin if it is configured as a digital output.	Yes	Yes	1
4	GIOPEL0. The value of this bit reflects the current state of this I/O pin. A register write to this bit will be driven out of this pin if it is configured as a digital output.	Yes	Yes	1
3	GIOLINE3. The value of this bit reflects the current state of this I/O pin. A register write to this bit will be driven out of this pin if it is configured as a digital output.	Yes	Yes	1
2	GIOLINE2. The value of this bit reflects the current state of this I/O pin. A register write to this bit will be driven out of this pin if it is configured as a digital output.	Yes	Yes	1
1	GIOLINE1. The value of this bit reflects the current state of this I/O pin. A register write to this bit will be driven out of this pin if it is configured as a digital output.	Yes	Yes	1
0	GIOLINE0. The value of this bit reflects the current state of this I/O pin. A register write to this bit will be driven out of this pin if it is configured as a digital output.	Yes	Yes	1

5.1.8 (Address 06h; SCANCHG) Scanner Status Change Register

Each bit in this register reports a change in the corresponding bit of SCANSTAT. Each bit in this register may be cleared by writing a '1' to the corresponding bit. All bits are cleared when **Session Reset** is asserted. This register contains the same information as the first word sent by the Status endpoint. The default value is 0x0021.

5.1.9 (Address 07h; IOCHG) I/O Pin Status Change Register

Each bit in this register reports a change in the corresponding bit of IOSTAT. Each bit in this register may be cleared by writing a '1' to the corresponding bit. All bits are cleared when **Session Reset** is asserted. This register contains the same information as the second word sent by the Status endpoint. The default value is 0x00FF.

5.1.10 (Address 08h; SRAMADDR1) SRAM Address, Most-Significant Word

Bits	Description	Read	Write	Default Value
15:5	Reserved.	Yes	No	0
4:0	SRAM Address MSW. These bits specify the most significant bits of the initial SRAM address when accessed through endpoints 1 (SRAM write) or 81 (SRAM read).	Yes	Yes	0

5.1.11 (Address 09h; SRAMADDR0) SRAM Address, Least-Significant Word

Bits	Description	Read	Write	Default Value
15:0	SRAM Address LSW. These bits specify the least significant bits of the initial SRAM address when accessed through endpoints 1 (SRAM write) or 81 (SRAM read). The 21-bit SRAM address is incremented after each access.	Yes	Yes	0

5.1.12 (Address 0Ah - 0Fh; RESERVED) Reserved for future use

5.1.13 (Address 10h; SRAMBASE1) SRAM FIFO Address Base, Most-Significant Word

Bits	Description	Read	Write	Default Value
15:5	Reserved.	Yes	No	0
4:0	SRAM FIFO Address Base MSW. These bits specify the most significant bits of the first address above the PRNU correction table in the external SRAM connected to the NET1031. This address corresponds to the beginning of the SRAM FIFO.	Yes	Yes	0

5.1.14 (Address 11h; SRAMBASE0) SRAM FIFO Address Base, Least-Significant Word

Bits	Description	Read	Write	Default Value
15:0	SRAM FIFO Address Base LSW. These bits specify the most significant bits of the first address above the PRNU correction table in the external SRAM connected to the NET1031. This address corresponds to the beginning of the SRAM FIFO.	Yes	Yes	1

5.1.15 (Address 12h; SRAMTOP1) SRAM FIFO Address Top, Most-Significant Word

Bits	Description	Read	Write	Default Value
15:5	Reserved.	Yes	No	0
4:0	SRAM FIFO Address Top MSW. These bits specify the most significant bits of the last address in the external SRAM used for the image FIFO. This address corresponds to the end of the SRAM image FIFO.	Yes	Yes	0

5.1.16 (Address 13h; SRAMTOP0) SRAM FIFO Address Top, Least-Significant Word

Bits	Description	Read	Write	Default Value
15:0	SRAM FIFO Address Top LSW. These bits specify the least significant bits of the last address in the external SRAM used for the image FIFO. This address corresponds to the end of the SRAM image FIFO.	Yes	Yes	0x7fff

5.1.17 (Address 14h; FIFOFSTHR1) FIFO Full-Speed Threshold, Most-Significant Word

Bits	Description	Read	Write	Default Value
15:5	Reserved.	Yes	No	0
4:0	FIFO Full-Speed Threshold, MSW. This value is the SRAM FIFO count below which a scan will resume at full speed. The speed change occurs only at the end of a line.	Yes	Yes	0

5.1.18 (Address 15h; FIFOFSTHR0) FIFO Full-Speed Threshold, Least-Significant Word

Bits	Description	Read	Write	Default Value
15:0	FIFO Full-Speed Threshold, LSW. This value is the SRAM FIFO count below which a scan will resume at full speed. The speed change occurs only at the end of a line. By setting this threshold lower than the half-speed threshold, a hysteresis effect is introduced which helps to prevent a scanner from slowing down and speeding up frequently during an image scan.	Yes	Yes	0x0060

5.1.19 (Address 16h; FIFOHSTHR1) FIFO Half-Speed Threshold, Most-Significant Word

Bits	Description	Read	Write	Default Value
15:5	Reserved.	Yes	No	0
4:0	FIFO Half-Speed Threshold, MSW. This value is the SRAM FIFO count above which the scan will slow to half -speed to reduce the data acquisition rate. The speed change occurs only at the end of a line. The scan will resume at full speed when the FIFO count has gone below the "FIFO Full-Speed Threshold".	Yes	Yes	0x1F

5.1.20 (Address 17h; FIFOHSTHR0) FIFO Half-Speed Threshold, Least-Significant Word

Bits	Description	Read	Write	Default Value
15:0	FIFO Half-Speed Threshold, LSW. This value is the SRAM FIFO count above which the scan will slow to half-speed to reduce the data acquisition rate. The speed change occurs only at the end of a line. The scan will resume at full speed when the FIFO count has gone below the "FIFO Full-Speed Threshold".	Yes	Yes	0xFFFF

5.1.21 (Address 18h; FIFOSTOPTHR1) FIFO Stop Threshold, Most-Significant Word

Bits	Description	Read	Write	Default Value
15:5	Reserved.	Yes	No	0
4:0	FIFO Stop Threshold, MSW. This value is the SRAM FIFO count above which the scanner will stop scanning. This prevents an image buffer overflow. The scanner stops at the end of a line, so this threshold should be set one line's worth of data below the top of memory. The scan will resume at full speed when the FIFO count has gone below the "FIFO Full-Speed Threshold".	Yes	Yes	0

5.1.22 (Address 19h; FIFOSTOPTHR0) FIFO Stop Threshold, Least-Significant Word

Bits	Description	Read	Write	Default Value
15:0	FIFO Stop Threshold, LSW. This value is the SRAM FIFO count above which the scanner will stop scanning. This prevents an image buffer overflow. The scanner stops at the end of a line, so this threshold should be set one line's worth of data below the top of memory. The scan will resume at full speed when the FIFO count has gone below the "FIFO Full-Speed Threshold".	Yes	Yes	0x4000

5.1.23 (Address 1Ah; FIFOCOUNT1) FIFO Byte Count, Most-Significant Word

Bits	Description	Read	Write	Default Value
15:5	Reserved.	Yes	No	0
4:0	FIFO Byte Count, MSW. This value is the number of bytes in the FIFO.	Yes	No	0x0

5.1.24 (Address 1Bh; FIFOCOUNT0) FIFO Byte Count, Least-Significant Word

Bits	Description	Read	Write	Default Value
15:0	FIFO Byte Count, LSW. This value is the number of bytes in the FIFO.	Yes	No	0x0

5.1.25 (Address 1Ch; FIFOSTAT) FIFO Status

Bits	Description	Read	Write	Default Value
15:5	Reserved.	Yes	No	0
4	Transmit FIFO Full-Speed Threshold. If set, this bit indicates that the SRAM transmit FIFO count is less than the Full-Speed Threshold.	Yes	No	0
3	Transmit FIFO Half-Speed Threshold. If set, this bit indicates that the SRAM transmit FIFO count is greater than the Half-Speed Threshold.	Yes	No	0
2	Transmit FIFO Stop Threshold. If set, this bit indicates that the SRAM transmit FIFO count is greater than the Stop Threshold.	Yes	No	0
1	Transmit FIFO Full. If set, this bit indicates that the SRAM transmit FIFO is full.	Yes	No	0
0	Transmit FIFO Empty. If set, this bit indicates that the SRAM transmit FIFO is empty.	Yes	No	1

5.1.26 (Address 1Dh - 1Fh; RESERVED) Reserved for future use

5.1.27 (Address 20h; COLORCYCLE) Color Cycle Time Period

Bits	Description	Read	Write	Default Value
15:10	Reserved.	Yes	No	0
9:0	Color Cycle Period. The value in this register is the number of 48-MHz clock tics allocated to each color.	Yes	Yes	0x020

5.1.28 (Address 21h; PELCYCLE) Pixel Cycle Time Period

Bits	Description	Read	Write	Default Value
15:3	Reserved.	Yes	No	0
2:0	Pixel Cycle Period. The value in this register is the number of color cycles allocated to each pixel. This value is normally '1' for monochrome and '3' for RGB.	Yes	Yes	0x3

5.1.29 (Address 22h; LINECYCLE) Line Cycle Time Period

Bits	Description	Read	Write	Default Value
15	Reserved.	Yes	No	0
14:0	Line Cycle Period. The value in this register is the number of pixel cycles allocated to line-based signals.	Yes	Yes	0x2000

5.1.30 (Address 23h; STEPCYCLE) Stepper Cycle Time Period

Bits	Description	Read	Write	Default Value
15	Reserved.	Yes	No	0
14:0	Stepper Cycle Period. The value in this register is the number of pixel cycles allocated to stepper motor signals.	Yes	Yes	0x1c98

5.1.31 (Address 25h; PELSTROBE) Pixel Strobe

Bits	Description	Read	Write	Default Value
15:10	Reserved.	Yes	No	0
9:0	<p>Pixel Strobe Offset. The value of these bits is the offset at which the image data at the SCANDATA input pins is valid. The offset is counted in 48 MHz clock cycles from the beginning of a color or pixel cycle, depending on the PIXCTL[4] bit. For black and white mode, a pixel strobe occurs once per pixel, and the offset is based from the beginning of the pixel cycle. For color mode, a pixel strobe occurs once per color cycle, and the pixel strobe offset is based from the beginning of the color cycle. The valid range is from 1 to 1023.</p> <p>The PELSTROBE output pin can be used for diagnostics to determine when pixel data is being captured.</p>	Yes	Yes	0x004

5.1.32 (Address 26h; COLORSTART) Color Cycle Start Offset

Bits	Description	Read	Write	Default Value
15:10	Reserved.	Yes	No	0
9:0	<p>Color Cycle Start Offset. The value in this register specifies the number of 48-MHz clock cycles at the beginning of a pixel before color-based waveforms should begin cycling. The valid range is from 1 to 1023. If 0, no offset is inserted.</p>	Yes	Yes	0

5.1.33 (Address 27h; PELSTART) Pixel Cycle Start Offset

Bits	Description	Read	Write	Default Value
15	Reserved.	Yes	No	0
14:0	<p>Pixel Cycle Start Offset. The value in this register specifies the number of pixel cycles at the beginning of a line before pixel-based waveforms should begin cycling. The valid range is from 1 to 1023. If 0, no offset is inserted.</p>	Yes	Yes	0x000e

5.1.34 (Address 28h; FIRSTPEL) First Active Pixel

Bits	Description	Read	Write	Default Value
15	Reserved.	Yes	No	0
14:0	<p>First Active Pixel. The first pixel in the CCD / CIS sensor's active window. Pixels before this index are clocked out of the CCD / CIS, but not stored by the NET1031. This is used to perform horizontal cropping in hardware.</p>	Yes	Yes	0x0041

5.1.35 (Address 29h; LASTPEL) Last Active Pixel

Bits	Description	Read	Write	Default Value
15	Reserved.	Yes	No	0
14:0	<p>Last Active Pixel. The last pixel in the CCD / CIS sensor's active window. Pixels after this index and before a line cycle are clocked out of the CCD / CIS, but not stored by the NET1031. This is used to perform horizontal cropping in hardware.</p>	Yes	Yes	0x14f5

5.1.36 (Address 2Ah; FIRSTLINE) First Scan Line

Bits	Description	Read	Write	Default Value
15	Reserved.	Yes	No	0
14:0	First Scan Line to Store. The first line number that should be stored by the NET1031. For line numbers before this value, the scanhead signals are active, but scanned data is not stored by the NET1031. This is used to perform vertical cropping in hardware.	Yes	Yes	0x0001

5.1.37 (Address 2Bh; LASTLINE) Last Scan Line

Bits	Description	Read	Write	Default Value
15	Reserved.	Yes	No	0
14:0	Last Line to Store. The line at which scanning should stop. Lines after this value are not stored by the NET1031. This is used to perform vertical cropping in hardware. Upon reaching this threshold, the enable stepper bit in the master control register (MASTERCTL[0]) is cleared, the scan done bit (SCANSTAT[9]) is set, and data is no longer stored into the FIFO. Note: n-1 lines are actually transferred.	Yes	Yes	0x0800

5.2 Pixel-based Waveform Register Description

The PWM signal registers configure the various PWM output pins of the NET1031. A set of registers is associated with each PWM output pin. Note that the names associated with each signal are arbitrary. Any PWM pin associated with these registers can be used for any scanner function requiring a pixel-based or digital output signal. Refer to section 9.1.1 for a timing diagram of a pixel-based output.

5.2.1 Pixel-based Waveform Register Summary

Address	Register Name	Register Description	Default Value
40 h	ADCCLKHIGH	Analog-to-Digital Converter clock, high delay	0x0001
41 h	ADCCLKLOW	Analog-to-Digital Converter clock, low delay	0x0006
42 h	ADCCLKCTL	Analog-to-Digital Converter clock, waveform control	0x0002
43 h	REFNHIGH	Analog-to-Digital Converter negative reference, high delay	0x0000
44 h	REFNLOW	Analog-to-Digital Converter negative reference, low delay	0x0000
45 h	REFNCTL	Analog-to-Digital Converter negative reference, waveform control	0x0008
46 h	REFPHIGH	Analog-to-Digital Converter positive reference, high delay	0x0000
47 h	REFPLOW	Analog-to-Digital Converter positive reference, low delay	0x0000
48 h	REFPCTL	Analog-to-Digital Converter positive reference, waveform control	0x0008
49 h	GAINHIGH	Analog-to-Digital Converter gain control, high delay	0x0000
4A h	GAINLOW	Analog-to-Digital Converter gain control, low delay	0x0000
4B h	GAINCTL	Analog-to-Digital Converter gain control, waveform control	0x0008
4C h	OFFSETHIGH	Analog-to-Digital Converter offset control, high delay	0x0000
4D h	OFFSETLOW	Analog-to-Digital Converter offset control, low delay	0x0000
4E h	OFFSETCTL	Analog-to-Digital Converter offset control, waveform control	0x0008
4F h	CLAMPHIGH	Analog-to-Digital Converter clamp control, high delay	0x0000
50 h	CLAMPLOW	Analog-to-Digital Converter clamp control, low delay	0x0000
51 h	CLAMPCTL	Analog-to-Digital Converter clamp control, waveform control	0x0008
52 h	SH1HIGH	Analog-to-Digital Converter sample/hold 1, high delay	0x0006
53 h	SH1LOW	Analog-to-Digital Converter sample/hold 1, low delay	0x000f
54 h	SH1CTL	Analog-to-Digital Converter sample/hold 1, waveform control	0x0008
55 h	SH2HIGH	Analog-to-Digital Converter sample/hold 2, high delay	0x0026
56 h	SH2LOW	Analog-to-Digital Converter sample/hold 2, low delay	0x0045
57 h	SH2CTL	Analog-to-Digital Converter sample/hold 2, waveform control	0x0008
58 h	PHI1HIGH	CCD Clock 1, high delay	0x0013
59 h	PHI1LOW	CCD Clock 1, low delay	0x0002
5A h	PHI1CTL	CCD Clock 1, waveform control	0x0008
5B h	PHI2HIGH	CCD Clock 2, high delay	0x0003
5C h	PHI2LOW	CCD Clock 2, low delay	0x0014
5D h	PHI2CTL	CCD Clock 2, waveform control	0x0009
5E h	RS1HIGH	CCD Reset 1 / CIS Clock, high delay	0x0002
5F h	RS1LOW	CCD Reset 1 / CIS Clock, low delay	0x0007
60 h	RS1CTL	CCD Reset 1 / CIS Clock, waveform control	0x0001
61 h	RS2HIGH	CCD Reset 2, high delay	0x0008
62 h	RS2LOW	CCD Reset 2, low delay	0x000d
63 h	RS2CTL	CCD Reset 2, waveform control	0x0001
64 h	MUX0HIGH	Analog-to-Digital Converter mux control bit 0, high delay	0x0000
65 h	MUX0LOW	Analog-to-Digital Converter mux control bit 0, low delay	0x0000
66 h	MUX0CTL	Analog-to-Digital Converter mux control bit 0, waveform control	0x0001
67 h	MUX1HIGH	Analog-to-Digital Converter mux control bit 1, high delay	0x0000
68 h	MUX1LOW	Analog-to-Digital Converter mux control bit 1, low delay	0x0000
69 h	MUX1CTL	Analog-to-Digital Converter mux control bit 1, waveform control	0x0008
6A h - 7F h	(Reserved)		
80 h	GIOPELOHIGH	Pixel based general I/O bit 0, high delay	0x0000

Address	Register Name	Register Description	Default Value
81 h	GIOPEL0LOW	Pixel based general I/O bit 0, low delay	0x0000
82 h	GIOPEL0CTL	Pixel based general I/O bit 0, waveform control	0x0008
83 h	GIOPEL1HIGH	Pixel based general I/O bit 1, high delay	0x0000
84 h	GIOPEL1LOW	Pixel based general I/O bit 1, low delay	0x0000
85 h	GIOPEL1CTL	Pixel based general I/O bit 1, waveform control	0x0008
86 h	GIOPEL2HIGH	Pixel based general I/O bit 2, high delay	0x0000
87 h	GIOPEL2LOW	Pixel based general I/O bit 2, low delay	0x0000
88 h	GIOPEL2CTL	Pixel based general I/O bit 2, waveform control	0x0008
89 h	GIOPEL3HIGH	Pixel based general I/O bit 3, high delay	0x0000
8A h	GIOPEL3LOW	Pixel based general I/O bit 3, low delay	0x0000
8B h	GIOPEL3CTL	Pixel based general I/O bit 3, waveform control	0x0008
8C h - 8F h	(Reserved)		

5.2.2 (xxxxHIGH) Pixel-based Waveform High Offset

Bits	Description	Read	Write
15:10	Reserved.	Yes	No
9:0	Waveform High Offset. Defines the offset after the cycle start that a PWM signal transitions to high. The value is defined in units of 48-MHz clock ticks for color- and pixel-based signals. If Waveform High Offset is set equal to Waveform Low Offset , then the pin is treated as a digital output. The Initial Polarity field in the xxxxCTL register determines the value of the digital output.	Yes	Yes

5.2.3 (xxxxLOW) Pixel-based Waveform Low Offset

Bits	Description	Read	Write
15:10	Reserved.	Yes	No
9:0	Waveform Low Offset. Defines the offset after the cycle start that a PWM signal transitions to low.	Yes	Yes

5.2.4 (xxxxCTL) Pixel-based Waveform Control

Bits	Description	Read	Write
15:4	Reserved.	Yes	No
3	Pause Enable. If clear, this PWM output does not pause during a scan. If set, this PWM output pauses based on PELSTART and COLORSTART.	Yes	Yes
2	Open-Drain/Totem-Pole Output. If this waveform is configured as an output, clearing this bit configures the waveform to be a totem-pole output. If the bit is set, the waveform is open-drain (i.e. not driven when the waveform is high).	Yes	Yes
1	Color Cycle Select. If clear, this signal cycles on a pixel cycle. If set, this waveform cycles on a color cycle.	Yes	Yes
0	Initial Polarity. This bit determines the state of the PWM signal (high or low) while it is not enabled (MASTERCTL[1] = 0) or while it is configured as a digital output.	Yes	Yes

5.3 Line-based Waveform Register Description

The PWM signal registers configure the various PWM output pins of the NET1031. A set of registers is associated with each PWM output pin. Any PWM pin associated with these registers can be used for any scanner function requiring a line-based signal or a digital output. Refer to section 9.1.1 for a timing diagram of a line-based output.

5.3.1 Line-based Waveform Register Summary

Address	Register Name	Register Description	Default Value
90 h	LEDRHIGH	Red lamp waveform for sequential color scan, high delay	0x0000
91 h	LEDRLOW	Red lamp waveform for sequential color scan, low delay	0x0000
92 h	LEDRCTL	Red lamp waveform for sequential color scan, waveform control	0x0000
93 h	LEDGHIGH	Green lamp waveform for sequential color scan, high delay	0x0000
94 h	LEDGLOW	Green lamp waveform for sequential color scan, low delay	0x0000
95 h	LEDGCTL	Green lamp waveform for sequential color scan, waveform control	0x0000
96 h	LEDBHIGH	Blue lamp waveform for sequential color scan, high delay	0x0000
97 h	LEDBLOW	Blue lamp waveform for sequential color scan, low delay	0x0000
98 h	LEDBCTL	Blue lamp waveform for sequential color scan, waveform control	0x0000
99 h	SG1HIGH	CCD Shift Gate 1, high delay	0x001b
9A h	SG1LOW	CCD Shift Gate 1, low delay	0x0010
9B h	SG1CTL	CCD Shift Gate 1, waveform control	0x0001
9C h	SG2HIGH	CCD Shift Gate 2, high delay	0x000e
9D h	SG2LOW	CCD Shift Gate 2, low delay	0x0001
9E h	SG2CTL	CCD Shift Gate 2, waveform control	0x0001
9F h - BF h	(Reserved)		
C0 h	GIOLINE0HIGH	Line based general I/O bit 0, high delay	0x0000
C1 h	GIOLINE0LOW	Line based general I/O bit 0, low delay	0x0000
C2 h	GIOLINE0CTL	Line based general I/O bit 0, waveform control	0x0000
C3 h	GIOLINE1HIGH	Line based general I/O bit 1, high delay	0x0000
C4 h	GIOLINE1LOW	Line based general I/O bit 1, low delay	0x0000
C5 h	GIOLINE1CTL	Line based general I/O bit 1, waveform control	0x0000
C6 h	GIOLINE2HIGH	Line based general I/O bit 2, high delay	0x0000
C7 h	GIOLINE2LOW	Line based general I/O bit 2, low delay	0x0000
C8 h	GIOLINE2CTL	Line based general I/O bit 2, waveform control	0x0000
C9 h	GIOLINE3HIGH	Line based general I/O bit 3, high delay	0x0000
CA h	GIOLINE3LOW	Line based general I/O bit 3, low delay	0x0000
CB h	GIOLINE3CTL	Line based general I/O bit 3, waveform control	0x0000
CC h - CF h	(Reserved)		

5.3.2 (xxxxHIGH) Line-based Waveform High Offset

Bits	Description	Read	Write
15	Reserved.	Yes	No
14:0	Waveform High Offset. Defines the offset after the cycle start that a PWM signal transitions to high. The value is defined in units of pixels for line- and step-based signals. If Waveform High Offset is set equal to Waveform Low Offset , then the pin is treated as a digital output. The Initial Polarity field in the xxxxCTL register determines the value of the digital output.	Yes	Yes

5.3.3 (xxxxLOW) Line-based Waveform Low Offset

Bits	Description	Read	Write
15	Reserved.	Yes	No
14:0	Waveform Low Offset. Defines the offset after the cycle start that a PWM signal transitions to low. The value is defined in units of pixels for line- and step-based signals.	Yes	Yes

5.3.4 (xxxxCTL) Line-based Waveform Control

Bits	Description	Read	Write
15:3	Reserved.	Yes	No
2	Open-Drain/Totem-Pole Output. If this waveform is configured as an output, clearing this bit configures the waveform to be a totem-pole output. If the bit is set, the waveform is open-drain (i.e. not driven when the waveform is high).	Yes	Yes
1	Reserved.	Yes	No
0	Initial Polarity. This bit determines the state of the PWM signal (high or low) while it is not enabled (MASTERCTL[1] = 0) or while it is configured as a digital output.	Yes	Yes

5.4 Stepper-based Waveform Register Description

The PWM signal registers configure the various PWM output pins of the NET1031. A set of registers is associated with each PWM output pin. Any PWM pin associated with these registers can be used for any scanner function requiring a stepper-based signal or a digital output. The STEPCYCLE register controls the number of pixel cycles over which stepper-based signals cycle. Refer to section 9.1.1 for a timing diagram of a line/stepper-based output.

5.4.1 Stepper-based Waveform Register Summary

Address	Register Name	Register Description	Default Value
D0 h	MVRHIGH	Stepper Motor throttle, high delay	0x0000
D1 h	MVRLOW	Stepper Motor throttle, low delay	0x0000
D2 h	MVRCTL	Stepper Motor throttle, waveform control	0x0000
D3 h	PIHIGH	Stepper Motor energize phase 1, high delay	0x0001
D4 h	PILOW	Stepper Motor energize phase 1, low delay	0x3000
D5 h	P1CTL	Stepper Motor energize phase 1, waveform control	0x0000
D6 h	P2HIGH	Stepper Motor energize phase 2, high delay	0x6000
D7 h	P2LOW	Stepper Motor energize phase 2, low delay	0x1000
D8 h	P2CTL	Stepper Motor disable phase 2, waveform control	0x0000
D9 h	DS1HIGH	Stepper Motor disable phase 1, high delay	0x2000
DA h	DS1LOW	Stepper Motor disable phase 1, low delay	0x5000
DB h	DS1CTL	Stepper Motor disable phase 1, waveform control	0x0000
DC h	DS2HIGH	Stepper Motor disable phase 2, high delay	0x4000
DD h	DS2LOW	Stepper Motor disable phase 2, low delay	0x7000
DE h	DS2CTL	Stepper Motor disable phase 2, waveform control	0x0000
DF h	S0HIGH	Stepper Motor voltage reference selector bit 0, high delay	0x0000
E0 h	S0LOW	Stepper Motor voltage reference selector bit 0, low delay	0x0000
E1 h	S0CTL	Stepper Motor voltage reference selector bit 0, waveform control	0x0000
E2 h	S1HIGH	Stepper Motor voltage reference selector bit 1, high delay	0x0000
E3 h	S1LOW	Stepper Motor voltage reference selector bit 1, low delay	0x0000
E4 h	S1CTL	Stepper Motor voltage reference selector bit 1, waveform control	0x0000
E5 h - EF h	(Reserved)		

5.4.2 (xxxxHIGH) Stepper-based Waveform High Offset

Bits	Description	Read	Write
15	Reserved.	Yes	No
14:0	Waveform High Offset. Defines the offset after the cycle start that a PWM signal transitions to high. The value is defined in units of pixels for stepper-based signals. If Waveform High Offset is set equal to Waveform Low Offset , then the pin is treated as a digital output. The Initial Polarity field in the xxxxCTL register determines the value of the digital output.	Yes	Yes

5.4.3 (xxxxLOW) Stepper-based Waveform Low Offset

Bits	Description	Read	Write
15	Reserved.	Yes	No
14:0	Waveform Low Offset. Defines the offset after the cycle start that a PWM signal transitions to low. The value is defined in units of pixels for stepper-based signals.	Yes	Yes

5.4.4 (xxxxCTL) Stepper-based Waveform Control

Bits	Description	Read	Write
15:3	Reserved.	Yes	No
2	Open-Drain/Totem-Pole Output. If this waveform is configured as an output, clearing this bit configures the waveform to be a totem-pole output. If the bit is set, the waveform is open-drain (i.e. not driven when the waveform is high).	Yes	Yes
1	Reserved.	Yes	No
0	Initial Polarity. This bit determines the state of the PWM signal (high or low) while it is not enabled (MASTERCtl[1] = 0) or while it is configured as a digital output.	Yes	Yes

5.5 USB Register Description

These registers determine some of the values reported in USB device and configuration descriptors returned to the host. The values in the registers may be changed by the initialization interface before a descriptor is returned to the host. See Section 3.5.

5.5.1 USB Register Summary

Address Range	Register Set	Register Set Description
F0 h	Vendor ID	USB Vendor ID Field
F1 h	Product ID	USB Product ID Field
F2 h	Release Number	USB Device release number
F3 h	Max Power	Maximum USB power used
F4 h	USBCTL1	USB control 1
F5 h	USBCTL2	USB control 2
F6 h	STRINDEX1	USB String Index 1 (Language ID, Manufacturer)
F7 h	STRINDEX2	USB String Index 2 (Product, Serial Number)
F8-FB h	Reserved	
FC h	EECTL	EEPROM Control
FD h	EEADDR	EEPROM Address
FE h	EEDATA	EEPROM Data
FF h	Revision	Current Silicon Revision

5.5.2 (Address F0h; VID) Vendor ID

Bits	Description	Read	Write	Default Value
15:0	Vendor ID. This register determines the Vendor ID during a 'Get Device Descriptor' request.	Yes	Yes	0x0525

5.5.3 (Address F1h; PID) Product ID

Bits	Description	Read	Write	Default Value
15:0	Product ID. This register determines the Product ID during a 'Get Device Descriptor' request.	Yes	Yes	0x1031

5.5.4 (Address F2h; REL) Release Number

Bits	Description	Read	Write	Default Value
15:0	Release Number. This register determines the device release number during a 'Get Device Descriptor' request.	Yes	Yes	REL NUM

Note: RELNUM is the silicon revision, encoded as a 4-digit BCD value. The value of RELNUM for the first release of the chip is 0x0100. The least-significant two digits are incremented for mask changes, and the most-significant two digits increment for major revisions. This value can be changed by the EEPROM to implement an application release number.

5.5.5 (Address F3h; MAXPWR) Maximum Power

Bits	Description	Read	Write	Default Value
15:8	Reserved.	Yes	No	0
7:0	Maximum Power. This register determines the maximum USB power during a 'Get Configuration Descriptor' request. Power is reported in units of 2 mA.	Yes	Yes	0x32

5.5.6 (Address F4h; USBCTL1) USB Control Register 1

Bits	Description	Read	Write	Default Value																		
15:11	Reserved	Yes	No	0																		
10:8	LCLK Frequency. This field determines the frequency of the LCLK output pin <table border="0"> <tr> <td><u>Value</u></td> <td><u>Frequency</u></td> </tr> <tr> <td>000</td> <td>0 (off)</td> </tr> <tr> <td>001</td> <td>6 MHz</td> </tr> <tr> <td>010</td> <td>12 MHz</td> </tr> <tr> <td>011</td> <td>24 MHz</td> </tr> <tr> <td>100</td> <td>48 MHz</td> </tr> <tr> <td>101-111</td> <td>Reserved</td> </tr> </table>	<u>Value</u>	<u>Frequency</u>	000	0 (off)	001	6 MHz	010	12 MHz	011	24 MHz	100	48 MHz	101-111	Reserved	Yes	Yes	1				
<u>Value</u>	<u>Frequency</u>																					
000	0 (off)																					
001	6 MHz																					
010	12 MHz																					
011	24 MHz																					
100	48 MHz																					
101-111	Reserved																					
7	Diagnostic Disconnect. Writing a 1 to this bit causes a single-ended zero to be driven onto the USB for 100 msec, thus simulating a disconnect.	No	Yes	0																		
6	Suspend Enable. If clear, the NET1031 does not enter the suspend state. If set, the NET1031 enters the suspend state after detecting 3 msec of inactivity on the USB.	Yes	Yes	0																		
5	Wakeup Polarity. If clear, the Wakeup signal is active low. If set, the Wakeup signal is active high.	Yes	Yes	0																		
4:2	Wakeup Select. This field selects one of the GIOLINE or GIOPEL inputs to act as a device remote wakeup input. <table border="0"> <tr> <td><u>Value</u></td> <td><u>Signal</u></td> </tr> <tr> <td>000</td> <td>GIOPEL0</td> </tr> <tr> <td>001</td> <td>GIOPEL1</td> </tr> <tr> <td>010</td> <td>GIOPEL2</td> </tr> <tr> <td>011</td> <td>GIOPEL3</td> </tr> <tr> <td>100</td> <td>GIOLINE0</td> </tr> <tr> <td>101</td> <td>GIOLINE1</td> </tr> <tr> <td>110</td> <td>GIOLINE2</td> </tr> <tr> <td>111</td> <td>GIOLINE3</td> </tr> </table>	<u>Value</u>	<u>Signal</u>	000	GIOPEL0	001	GIOPEL1	010	GIOPEL2	011	GIOPEL3	100	GIOLINE0	101	GIOLINE1	110	GIOLINE2	111	GIOLINE3	Yes	Yes	0
<u>Value</u>	<u>Signal</u>																					
000	GIOPEL0																					
001	GIOPEL1																					
010	GIOPEL2																					
011	GIOPEL3																					
100	GIOLINE0																					
101	GIOLINE1																					
110	GIOLINE2																					
111	GIOLINE3																					
1	Remote Wakeup Support. This field is reported to the Host PC in the USB configuration descriptor's "bmAttributes" field, bit 5, during enumeration, and indicates whether the NET1031 supports device remote wakeup.	Yes	Yes	1																		
0	Self-Powered USB Device. This field is reported to the Host PC in the USB configuration descriptor's "bmAttributes" field, bit 6, during enumeration, and indicates if the device is self-powered.	Yes	Yes	1																		

5.5.7 (Address F5h; USBCTL2) USB Control Register 2

Bits	Description	Read	Write	Default Value
15:5	Reserved	Yes	No	0
4	Language ID String Enable. If set, a language string ID is programmed into the E ² PROM. The location of the language string is specified by the “ Language String Start Index ” byte in the serial E ² PROM. If clear, the response to a Language ID String read is determined by the String Default Enable bit.	Yes	Yes	0
3	Manufacturer String Enable. If set, a manufacturer’s string is programmed into the E ² PROM. The location of the manufacturer’s string is specified by the “ Manufacturer String Start Index ” byte in the serial E ² PROM. If clear, the response to a Manufacturer String read is determined by the String Default Enable bit.	Yes	Yes	0
2	Product String Enable. If set, a product string is programmed into the E ² PROM. The location of the product string in the E ² PROM is specified by the “ Product String Start Index ” byte in the serial E ² PROM. If clear, the response to a Product String language ID string read is determined by the String Default Enable bit.	Yes	Yes	0
1	Serial Number String Enable. If set, a serial number string is programmed into the E ² PROM. The location of the serial number string is specified by the “ Serial Number String Start Index ” byte in the serial E ² PROM. If clear, the response to a language ID string read is determined by the String Default Enable bit.	Yes	Yes	0
0	String Default Enable. If set, default strings are returned to the host if the corresponding String Enable (bits 4:1) is 0. If clear, a string is returned only if the corresponding String Enable (bits 4:1) is 1.	No	Yes	1

5.5.8 (Address F6h; STRINDEX1) String Index 1

Bits	Description	Read	Write	Default Value
15:8	Language ID String Index. This field determines the EEPROM starting word address of the Language ID string.	Yes	Yes	0
7:0	Manufacturer String Index. This field determines the EEPROM starting word address of the Manufacturer string.	Yes	Yes	0

5.5.9 (Address F7h; STRINDEX2) String Index 2

Bits	Description	Read	Write	Default Value
15:8	Product String Index. This field determines the EEPROM starting word address of the Product string.	Yes	Yes	0
7:0	Serial Number String Index. This field determines the EEPROM starting word address of the Serial Number string.	Yes	Yes	0

5.5.10 (Address F8h - FBh; RESERVED) Reserved for future use

5.5.11 (Address FCh; EECTL) EEPROM Control

NOTE: These bits should be returned to 0 after being used for an EEPROM access.

Bits	Description	Read	Write	Default Value
15:4	Reserved.	Yes	No	0
3	REGCEEDO. This bit is used to read the EEPROM read data (EEDO/IDSEL3 pin) when the EEPROM is being accessed from the Host. This bit operates only if the INITSEL pins are not set to 4.	Yes	No	0
2	REGCEEDI. This bit is used to control the EEPROM write data (EEDI/IDSEL2 pin) when the EEPROM is being accessed from the Host. This bit operates only if the INITSEL pins are not set to 4.	Yes	Yes	0
1	REGEEKSK. This bit is used to control the EEPROM clock (EESK/IDSEL1 pin) when the EEPROM is being accessed from the Host. This bit operates only if the INITSEL pins are not set to 4.	Yes	Yes	0
0	REGEECS. This bit is used to control the EEPROM chip select (EECS/IDSEL0 pin) when the EEPROM is being accessed from the Host. This bit operates only if the INITSEL pins are not set to 4.	Yes	Yes	0

5.5.12 (Address FDh; EEADDR) EEPROM Address

Bits	Description	Read	Write	Default Value
15	EEPROM Start. When this bit is set, a host read or write to a MicroWire EEPROM is initiated. This bit is automatically cleared when the operation completes.	Yes	Yes/Set	0
14	EEPROM Read/Write. This bit determines the direction of the host access to the MicroWire EEPROM. If clear, a write access is performed. If set, a read access is performed.	Yes	Yes	0
13:8	Reserved.	Yes	No	0
7:0	EEPROM Address. This field selects the word address of EEPROM reads or writes that are initiated by the host.	Yes	Yes	0

5.5.13 (Address FEh; EEDATA) EEPROM Data

Bits	Description	Read	Write	Default Value
15:0	EEPROM Data. This register sources data written to the MicroWire EEPROM from the host. At the completion of a host EEPROM read, the data is stored into this register.	Yes	Yes	0

5.5.14 (Address FFh; REVISION) NET1031 Silicon Revision

Bits	Description	Read	Write	Default Value
15:0	NET1031 Silicon Revision. This is the Silicon Revision Number for the NET1031	Yes	No	RELNUM

Note: RELNUM is the silicon revision, encoded as a 4-digit BCD value. The value of RELNUM for the first release of the chip is 0x0100. The least-significant two digits are incremented for mask changes, and the most-significant two digits increment for major revisions. This value cannot be changed.

6 USB Vendor-Specific Device Requests (Endpoint 0)

Vendor specific requests to endpoint 0 are used to access the internal registers of the NET1031, as well as I/O devices external to the NET1031. Bit 15 of the wValue field of the setup packet is used to select between register and I/O accesses. It must be low for register accesses and high for I/O accesses. For register accesses, bits 7:0 of the wValue determine the address of the first register. For I/O cycles, the first address is derived from bits 14:0 of the wValue field, and is driven on bits 14:0 of the SRAM address bus. The data passes over the SRAM data bus, SRAMDATA, or the Scan data bus, SCANDATA. A bRequest of 4 is used for all register and I/O accesses.

6.1 Register Write

A vendor request to endpoint 0 is used to perform register writes. Either one or two 16-bit writes can be performed for each transfer. The data is not written to the target register until it has been determined that the USB transfer was successful. The target register address is passed in bits 7:0 of the wValue field of the setup packet. If two 16-bit registers are written, the address of the second register is one greater than the value in the wValue field. If the wLength field is not 2 or 4, the endpoint will return a stall acknowledge.

Setup Byte	Contents	Description
0	bmRequestType	Bit 7 = direction (0=Out) Bits 6:5 = type (2=vendor) Bits 4:0 = Recipient (0 = device)
1	bRequest	4 = Register or I/O access
2	wValue (LSB)	Register Address (LSB)
3	wValue (MSB)	Register Address (MSB) (bit 15 = 0)
4	wIndex (LSB)	unused
5	wIndex (MSB)	unused
6	wLength (LSB)	Number of bytes to write (LSB), must be 2 or 4
7	wLength (MSB)	Number of bytes to write (MSB), must be 0

Following is a description of the contents of the OUT packet associated with this control write transfer.

Byte Index	Contents
0	Register Write Data 0 (LSB)
1	Register Write Data 0 (MSB)
2 (optional)	Register Write Data 1 (LSB)
3 (optional)	Register Write Data 1 (MSB)

6.2 Register Read

A vendor request to endpoint 0 is used to perform register reads. Only one 16-bit read can be performed for each transfer. The target register address is passed in bits 7:0 of the wValue field of the setup packet. If the wLength field is not 2, the endpoint will return a stall acknowledge.

Setup Byte	Contents	Description
0	bmRequestType	Bit 7 = direction (1=IN) Bits 6:5 = type (2=vendor) Bits 4:0 = Recipient (0 = device)
1	bRequest	4 = Register or I/O access
2	wValue (LSB)	Register Address (LSB)
3	wValue (MSB)	Register Address (MSB) (bit 15 = 0)
4	wIndex (LSB)	unused
5	wIndex (MSB)	unused
6	wLength (LSB)	Number of bytes to read (LSB), must be 2
7	wLength (MSB)	Number of bytes to read (MSB), must be 0

Following is a description of the contents of the IN packet associated with this control read transfer.

Byte Index	Contents
0	Register Read Data (LSB)
1	Register Read Data (MSB)

6.3 I/O Write

A vendor request to endpoint 0 is used to perform I/O writes. Either one or two 16-bit writes can be performed for each transfer. The I/O write cycles are not performed until it has been determined that the USB transfer was successful. The target I/O address is passed in bits 14:0 of the wValue field of the setup packet. If two 16-bit I/O writes occur, the address of the second I/O cycle is one greater than the value in the wValue field. If the wLength field is not 2 or 4, the endpoint will return a stall acknowledge.

Setup Byte	Contents	Description
0	bmRequestType	Bit 7 = direction (0=Out) Bits 6:5 = type (2=vendor) Bits 4:0 = Recipient (0 = device)
1	bRequest	4 = Register or I/O access
2	wValue (LSB)	I/O Address (LSB)
3	wValue (MSB)	I/O Address (MSB) (bit 15 = 1)
4	wIndex (LSB)	unused
5	wIndex (MSB)	unused
6	wLength (LSB)	Number of bytes to write (LSB), must be 2 or 4
7	wLength (MSB)	Number of bytes to write (MSB), must be 0

Following is a description of the contents of the OUT packet associated with this control write transfer.

Byte Index	Contents
0	I/O Write Data 0 (LSB)
1	I/O Write Data 0 (MSB)
2 (optional)	I/O Write Data 1 (LSB)
3 (optional)	I/O Write Data 1 (MSB)

6.4 I/O Read

A vendor request to endpoint 0 is used to perform I/O reads. Only one 16-bit read can be performed for each transfer. The target I/O address is passed in bits 14:0 of the wValue field of the setup packet. If the wLength field is not 2, the endpoint will return a stall acknowledge.

Setup Byte	Contents	Description
0	bmRequestType	Bit 7 = direction (1=IN) Bits 6:5 = type (2=vendor) Bits 4:0 = Recipient (0 = device)
1	bRequest	4 = Register or I/O access
2	wValue (LSB)	Register Address (LSB)
3	wValue (MSB)	Register Address (MSB) (bit 15 = 1)
4	wIndex (LSB)	unused
5	wIndex (MSB)	unused
6	wLength (LSB)	Number of bytes to read (LSB), must be 2
7	wLength (MSB)	Number of bytes to read (MSB), must be 0

Following is a description of the contents of the IN packet associated with this control read transfer.

Byte Index	Contents
0	I/O Read Data (LSB)
1	I/O Read Data (MSB)

6.5 Manufacturer Test Mode

A vendor specific request can be used to set or clear the Timing Test Mode bit.

6.5.1 6.5.1 Device Clear Feature (Timing Test Mode)

Offset	Number of Bytes	Description	Default Value
--	0	Clear the selected device feature wValue = 0x80 --> Timing test mode (clears test bit) wIndex ignored wLength = 0	--

6.5.2 6.5.2 Device Set Feature (Timing Test Mode)

Offset	Number of Bytes	Description	Default Value
--	0	Set the selected device feature wValue = 0x80 --> Timing test mode (sets test bit) wIndex ignored wLength = 0	--

7 USB Standard Device Requests (Endpoint 0)

7.1 Control 'IN' Transactions

7.1.1 Get Device Status

Offset	Number of Bytes	Description	Default Value
0	2	bits 15:2 = Reserved bit 1 = Device Remote Wakeup enabled bit 0 = Power supply is good in Self-Powered mode. (depends on PWRGOOD input pin)	0x0001

7.1.2 Get Interface Status

Offset	Number of Bytes	Description	Default Value
0	2	bits 15:0 = Reserved	0x0000

7.1.3 Get Endpoint 0x00, 0x01, 0x81, 0x82 Status

Offset	Number of Bytes	Description	Default Value
0	2	bits 15:1 = Reserved bit 0 = Endpoint is stalled	0x0000

7.1.4 Get Device Descriptor (18 Bytes)

Offset	Number of Bytes	Description	Default Value
0	1	Length	0x12
1	1	Type (device)	0x01
2	2	USB Specification Release Number	0x0101
4	1	Class Code	0x00
5	1	Sub Class Code	0x00
6	1	Protocol	0x00
7	1	Maximum Endpoint 0 Packet Size	0x08
8	2	Vendor ID	Value of VID register
10	2	Product ID	Value of PID register
12	2	Device Release Number	Value of RELEASENUM register
14	1	Index of string descriptor describing manufacturer	0x01 (if USBCTL Mfg. String Enable = 1) 0x00 (if USBCTL Mfg. String Enable = 0)
15	1	Index of string descriptor describing product	0x02 (if USBCTL Prod. String Enable = 1) 0x00 (if USBCTL Prod. String Enable = 0)
16	1	Index of string descriptor describing serial number	0x03 (if USBCTL Ser. String Enable = 1) 0x00 (if USBCTL Ser. String Enable = 0)
17	1	Number of configurations	0x01

7.1.5 Get Configuration Descriptor (39 bytes)

Note that all interface and endpoint descriptors are returned when this request is issued

Offset	Number of Bytes	Description	Default Value
Configuration Descriptor			
0	1	Length	0x09
1	1	Type (configuration)	0x02
2	2	Total length returned for this configuration	0x0027
4	1	Number of Interfaces	0x01
5	1	Number of this configuration	0x01
6	1	Index of string descriptor describing this configuration	0x00
7	1	Attributes bit 7 = 1 bit 6 = Self-Powered (based on "Self-Power" USBCTL register field) bit 5 = Remote Wakeup capability (based on "Remote-Wakeup Support" USBCTL register field) bits 4:0 = Reserved	0xE0
8	1	Maximum USB power required (in 2 mA units)	Value in MAXPOWER register
Interface 0 Descriptor			
0	1	Size of this descriptor in bytes	0x09
1	1	Type (interface)	0x04
2	1	Number of this interface	0x00
3	1	Alternate Interface	0x00
4	1	Number of endpoints used by this interface (excluding endpoint 0)	0x03
5	1	Class Code	0xFF
6	1	Sub Class Code	0x00
7	1	Device Protocol	0x00
8	1	Index of string descriptor describing this interface	0x00
Endpoint 1 Descriptor			
0	1	Size of this descriptor	0x07
1	1	Descriptor Type (endpoint)	0x05
2	1	Endpoint Address bit 7 = direction (1 = IN, 0 = OUT) bits 6:4 = reserved bits 3:0 = endpoint number	0x01
3	1	Endpoint Attributes bits 7:2 = reserved bits 1:0 00 = Control 01 = Isochronous 10 = Bulk 11 = Interrupt	0x02
4	2	Maximum packet size of this endpoint	0x0040
6	1	Interval for polling endpoint (not used)	0x00

Get Configuration Descriptor (continued)

Offset	Number of Bytes	Description	Default Value
Endpoint 0x81 Descriptor			
0	1	Size of this descriptor	0x07
1	1	Descriptor Type (endpoint)	0x05
2	1	Endpoint Address bit 7 = direction (1 = IN, 0 = OUT) bits 6:4 = reserved bits 3:0 = endpoint number	0x81
3	1	Endpoint Attributes bits 7:2 = reserved bits 1:0 00 = Control 01 = Isochronous 10 = Bulk 11 = Interrupt	0x02
4	2	Maximum packet size of this endpoint	0x0040
6	1	Interval for polling endpoint (in ms)	0x00
Endpoint 0x82 Descriptor			
0	1	Size of this descriptor	0x07
1	1	Descriptor Type (endpoint)	0x05
2	1	Endpoint Address bit 7 = direction (1 = IN, 0 = OUT) bits 6:4 = reserved bits 3:0 = endpoint number	0x82
3	1	Endpoint Attributes bits 7:2 = reserved bits 1:0 00 = Control 01 = Isochronous 10 = Bulk 11 = Interrupt	0x03
4	2	Maximum packet size of this endpoint	0x0004
6	1	Interval for polling endpoint (in ms)	0x40

7.1.6 Get String Descriptor 0

Offset	Number of Bytes	Description	Default Value
0	4	Language ID (English = 09, U.S. = 04)	0x04, 0x03 0x0409

7.1.7 Get String Descriptor 1

Offset	Number of Bytes	Description	Default Value
0	38	Manufacturer Descriptor	0x26, 0x03 "Netchip Technology"

Get Configuration Descriptor (continued)

7.1.8 Get String Descriptor 2

Offset	Number of Bytes	Description	Default Value
0	62	Product Descriptor	0x3E, 0x03 "NET1031 USB Scanner Controller"

7.1.9 Get String Descriptor 3

Offset	Number of Bytes	Description	Default Value
0	10	Serial Number Descriptor	0x0A, 0x03 "1001"

7.1.10 Get Configuration

Offset	Number of Bytes	Description	Default Value
0	1	Returns current device configuration	0x00

7.1.11 Get Interface

Offset	Number of Bytes	Description	Default Value
0	1	Returns current alternate setting for the specified interface	0x0

7.2 Control 'OUT' Transactions

7.2.1 Set Address

Offset	Number of Bytes	Description	Default Value
--	0	Sets USB address of device Value = device address, Index = 0	--

7.2.2 Set Configuration

Offset	Number of Bytes	Description	Default Value
--	0	Sets the device configuration Value = Configuration value (0 or 1 supported),	--

7.2.3 Set Interface

Offset	Number of Bytes	Description	Default Value
--	0	Selects alternate setting for specified interface Value = Alternate setting, Index = specified interface	--

7.2.4 Device Clear Feature

Offset	Number of Bytes	Description	Default Value
--	0	Clear the selected device feature Value = feature selector FS = 1 --> Device Remote Wakeup (disable)	--

7.2.5 Device Set Feature

Offset	Number of Bytes	Description	Default Value
--	0	Set the selected device feature Value = feature selector FS = 1 --> Device Remote Wakeup (enable)	--

7.2.6 Endpoint Clear Feature

Offset	Number of Bytes	Description	Default Value
--	0	Clear the selected endpoint feature Value = feature selector, Index = endpoint number FS = 0 --> Endpoint stall (clears stall bit)	--

7.2.7 Endpoint Set Feature

Offset	Number of Bytes	Description	Default Value
--	0	Set the selected endpoint feature Value = feature selector, Index = endpoint number FS = 0 --> Endpoint stall (sets stall bit)	--

8 Bulk and Interrupt Endpoints

8.1 Endpoint 0x01 'OUT' Transactions (SRAM Write Pipe)

Offset	Number of Bytes	Description	Default Value
--	up to 64	Host writes data to the external SRAM using bulk OUT transactions.	--

8.2 Endpoint 0x81 'IN' Transactions (SRAM/Image Data Read Pipe)

Offset	Number of Bytes	Description	Default Value
--	64	Host reads data from the external SRAM or image data from the SRAM transmit FIFO using bulk IN transactions.	--

8.3 Endpoint 0x82 'IN' Transactions (Status Input Pipe)

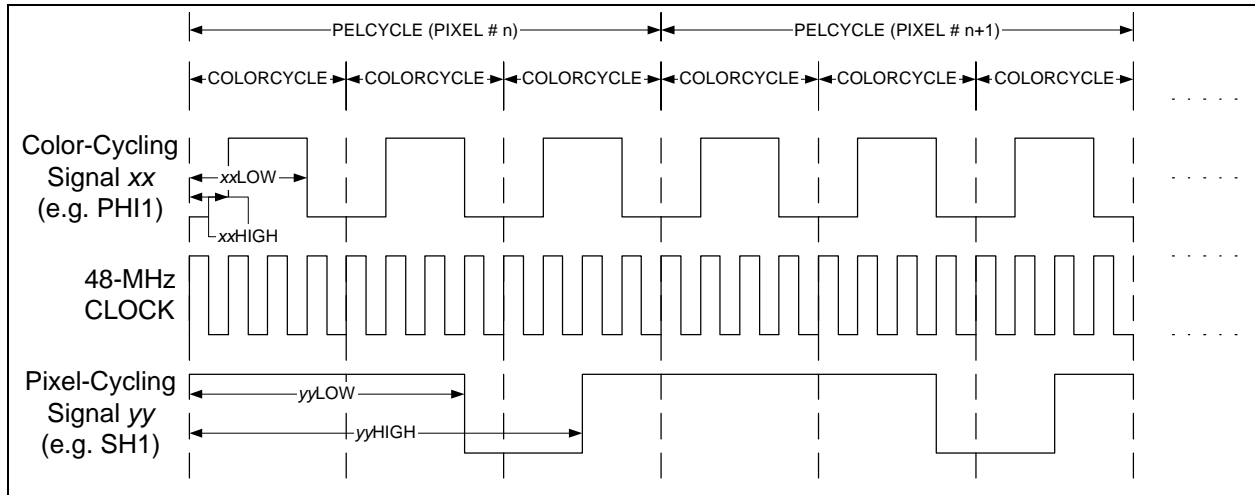
Offset	Number of Bytes	Description	Default Value
--	4	Host reads 4 bytes of status information from this endpoint using an interrupt IN transaction.	--

9 Signal Timing

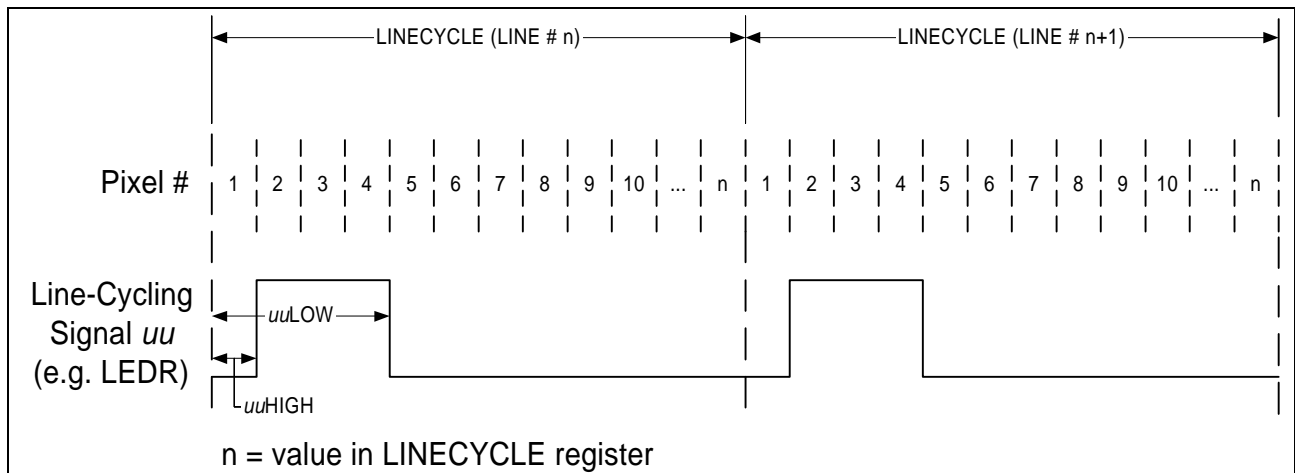
9.1 Signal Timing

Pulse Width Modulated (PWM) signals are defined by the PWM registers. Each PWM signal has three associated registers: *xxxxCTL*, *xxxxHIGH*, and *xxxxLOW*. Additionally, some PWM registers are based on a color or pixel cycle, some are based on a line cycle, and some are based on a stepper cycle. The *xxx* is replaced by the signal name for each register. The following figures show how these parameters affect the timing of a PWM signal.

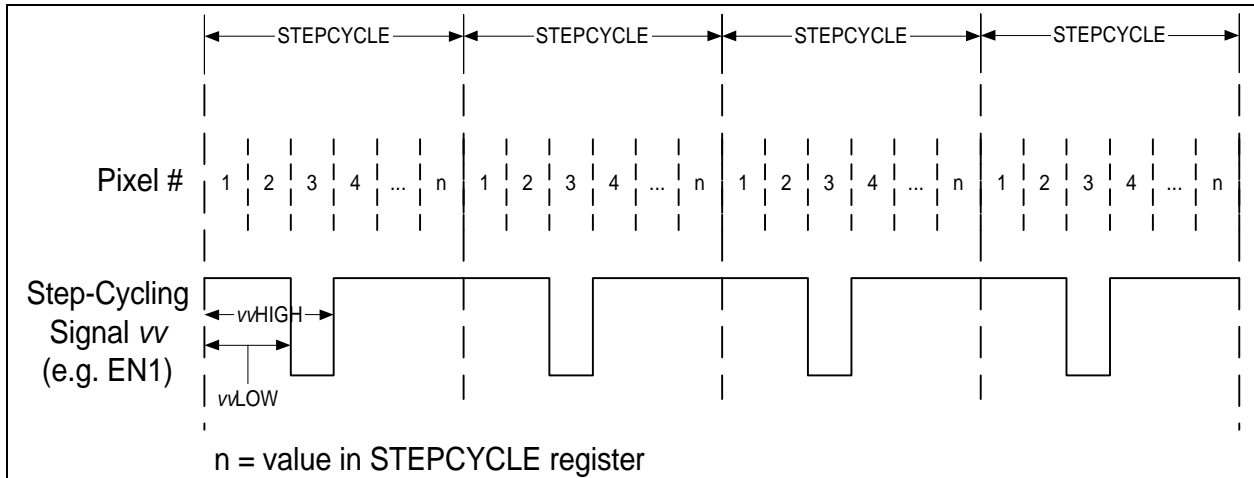
9.1.1 Color- and Pixel-Based Signal Timing



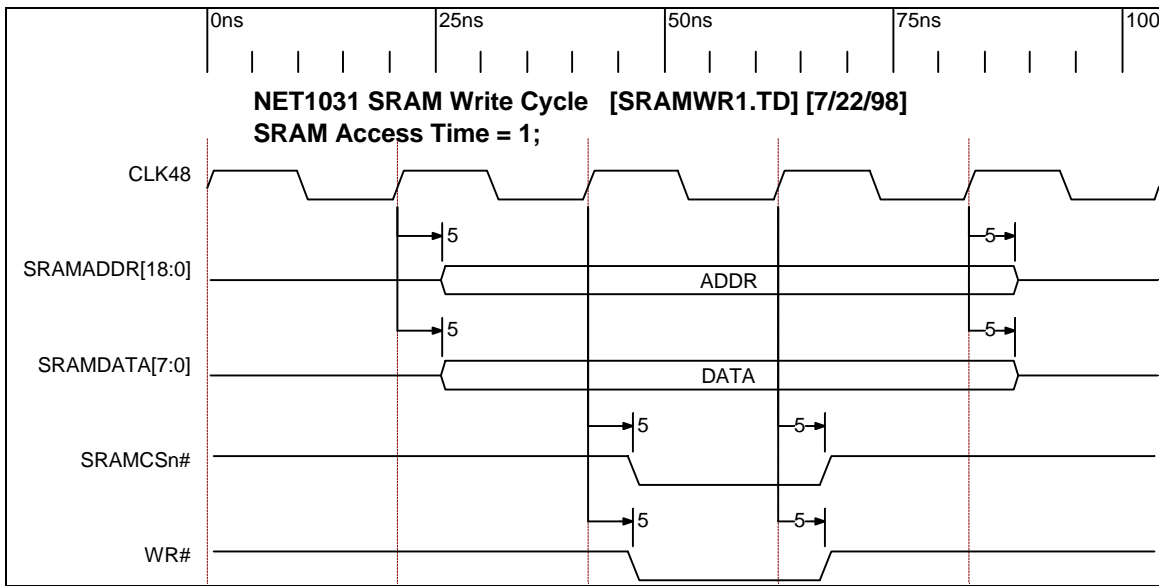
9.1.2 Line-Based Signal Timing



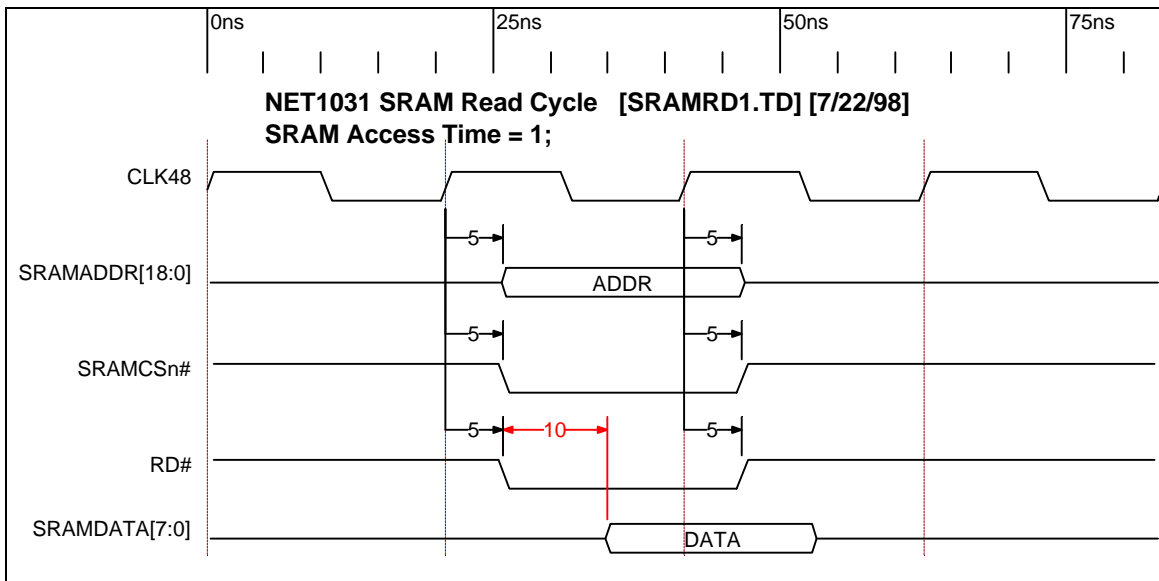
9.1.3 Stepper-Based Signal Timing



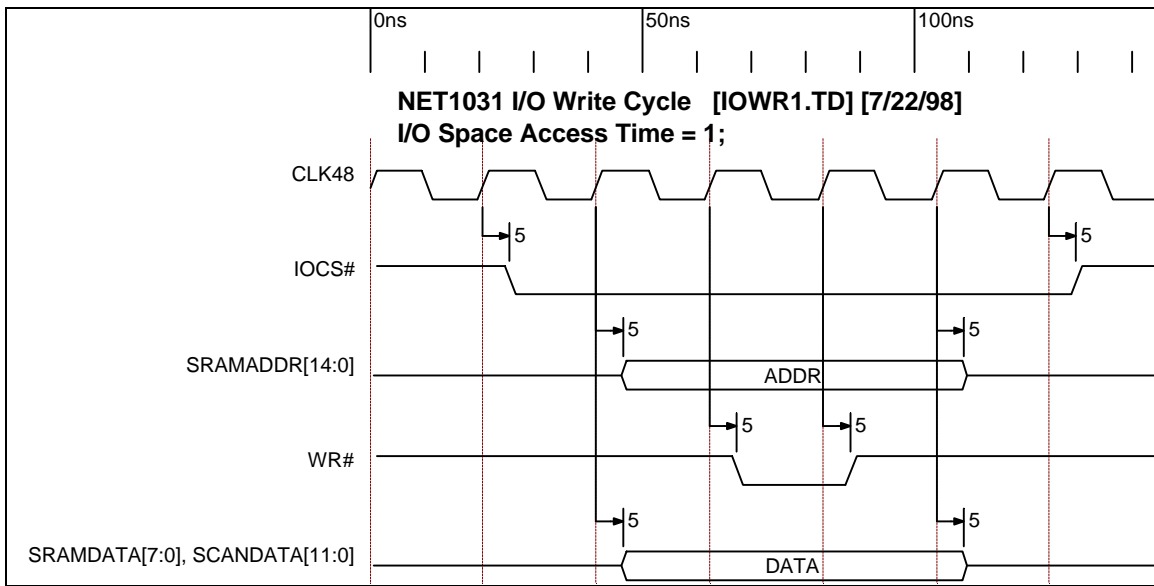
9.2 SRAM Write Timing



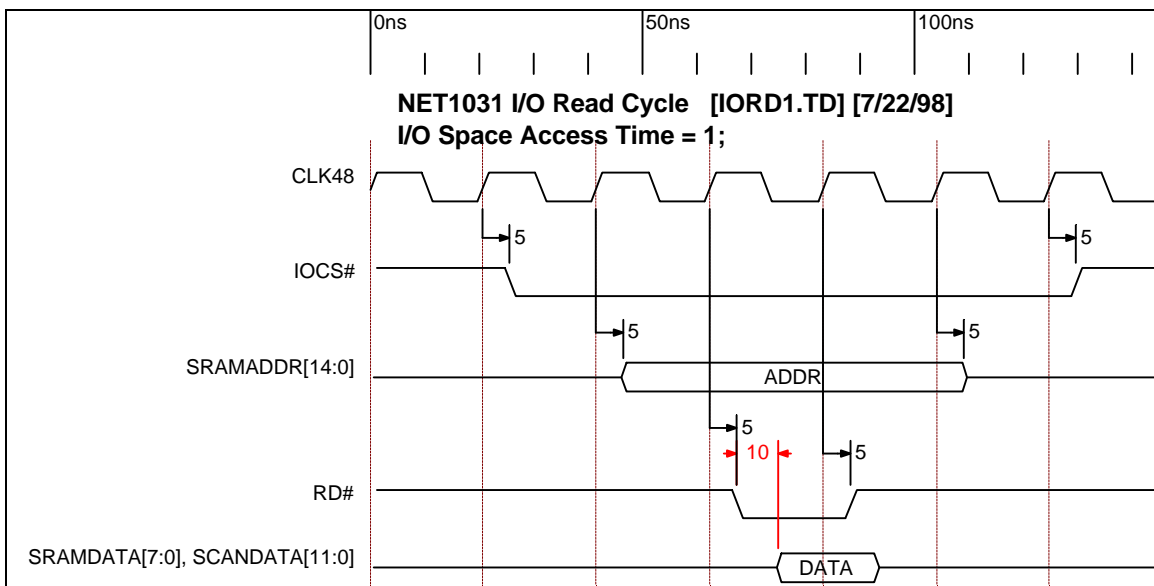
9.3 SRAM Read Timing



9.4 I/O Write Timing



9.5 I/O Read Timing



10 Electrical Specifications

10.1 Absolute Maximum Ratings

Conditions that exceed the Absolute Maximum limits may destroy the device.

Symbol	Parameter	Conditions	Min	Max	Unit
V _{DDC}	Core/USB Supply Voltage	With Respect to Ground	-0.5	4.6	V
V _{DDLCL}	Local Supply Voltage (+5V)	With Respect to Ground	-0.5	7.0	V
V _I	DC input voltage	With Respect to Ground	-0.5	V _{DD} +0.5	V
I _{OUT}	DC Output Current, per pin		-25	25	mA
T _{STG}	Storage Temperature	No bias	-65	150	°C
T _{AMB}	Ambient temperature	Under bias			°C
T _J	Junction temperature	Under bias			°C
P _D	Power Dissipation	Under bias			mW
V _{ESD}	ESD Rating	R = 1.5K, C = 100pF		2	KV

10.2 Recommended Operating Conditions

Conditions that exceed the Operating limits may cause the device to function incorrectly.

Symbol	Parameter	Conditions	Min	Max	Unit
V _{DDC}	Core/USB Supply Voltage		3.0	3.6	V
V _{DDLCL}	Local Bus Supply Voltage	5.0V operation	4.75	5.25	V
V _{DDLCL}	Local Bus Supply Voltage	3.3V operation	3.0	3.6	V
V _{IH}	High Level Input Voltage		2		V
V _{IL}	Low Level Input Voltage			0.8	V
V _I	Input Voltage		0	V _{DDL}	V
V _O	Output Voltage		0	V _{DDL}	V
T _A	Operating Temperature		0	70	°C
t _R	Input rise time		1	10	ns/V
t _F	Input fall time		1	10	ns/V

10.3 DC Specifications

10.3.1 Core DC Specifications

Operating Conditions: V_{DDC}: 3.3V ± 5%, T_A = 0°C to 70°C

All typical values are at V_{DDC} = 3.3V and T_A = 25°C

Operating Conditions: Notes 1, 2, 9.

Symbol	Parameter	Conditions	Min	Typ	Max	Unit
I _{DDC}	V _{DDC} Supply Current	V _{DDC} = 3.3V		100	170	mA
I _{DDCS}	V _{DDC} Supply Current (Suspend)	Device suspended			220	μA

10.3.2 USB Port DC Specifications

Operating Conditions: $V_{DDC} = 3.3V \pm 5\%$, $T_A = 0^\circ C$ to $70^\circ C$

All typical values are at $V_{DDC} = 3.3V$ and $T_A = 25^\circ C$

Operating Conditions: Notes 1,2.

Symbol	Parameter	Conditions	Min	Typ	Max	Unit
V_{DI}	Differential Input Sensitivity	$ (D+) - (D-) $	0.2			V
V_{CM}	Differential Common Mode Range	Includes VDI range	0.8		2.5	V
V_{SE}	Single Ended Receiver Threshold		0.8		2.0	V
V_{OH}	Static Output High	R_L of 15 K Ω to GND	2.8		3.6	V
V_{OL}	Static Output Low	R_L of 1.5 K Ω to 3.6V			0.3	V
I_{LO}	Hi-Z State Data Line Leakage	$0V < V_{IN} < 3.3V$	-10		+10	μA
C_{IO}	I/O Capacitance	Pin to GND			20	pF

10.3.3 Local Bus (+3.3V) DC Specifications

Operating Conditions: $V_{DDL} = 3.3V \pm 5\%$, $T_A = 0^\circ C$ to $70^\circ C$

All typical values are at $V_{DDL} = 3.3V$ and $T_A = 25^\circ C$

Operating Conditions: Note 9

Symbol	Parameter	Conditions	Min	Typ	Max	Unit
V_{OH}	Output High Voltage	$I_{OH1} = -6mA$, $I_{OH2} = -12mA$	VDD -0.4			V
V_{OL}	Output Low Voltage	$I_{OL1} = 6mA$, $I_{OL2} = 12mA$			0.4	V
I_{IH}	Input High Leakage	$V_{IH} = 3.3V$	-1		1	μA
I_{IL}	Input Low Leakage	$V_{IL} = 0V$	-1		1	μA
I_{OZ}	Hi-Z State Data Line Leakage	$0V < V_{IN} < 3.3V$	-1		1	μA
I_{DDLS}	V_{DDL} Supply Current (Suspend)	Device suspended			80	μA
I_{DDL}	V_{DDL} Supply Current	$V_{DDC} = 3.3V$		50	70	mA
C_{IO}	I/O Capacitance	Pin to GND			10	pF
C_{IN}	Input Capacitance	Pin to GND			10	pF

10.3.4 Local Bus (+5.0V) DC Specifications

Operating Conditions: $V_{DDL} = 5.0V \pm 5\%$, $T_A = 0^\circ C$ to $70^\circ C$ All typical values are at $V_{DDL} = 5.0V$ and $T_A = 25^\circ C$

Operating Conditions: Note 9

Symbol	Parameter	Conditions	Min	Typ	Max	Unit
V_{OH}	Output High Voltage	$I_{OH1} = -3mA$, $I_{OH2} = -6mA$	$V_{DD} - 0.4$			V
V_{OL}	Output Low Voltage	$I_{OL1} = 6mA$, $I_{OL2} = 12mA$			0.4	V
I_{IH}	Input High Leakage	$V_{IH} = 5.0V$	-1		1	μA
I_{IL}	Input Low Leakage	$V_{IL} = 0V$	-1		1	μA
I_{OZ}	Hi-Z State Data Line Leakage	$0V < V_{IN} < 5.0V$	-1		1	μA
I_{DDLS}	V_{DDL} Supply Current (Suspend)	Device suspended			100	μA
I_{DDL}	V_{DDL} Supply Current	$V_{DDC} = 3.3V$		60	80	mA
C_{IO}	I/O Capacitance	Pin to GND			10	pF
C_{IN}	Input Capacitance	Pin to GND			10	pF

10.4 AC Specifications

10.4.1 USB Port AC Specifications

Operating Conditions: V_{DD} : $3.3V \pm 5\%$, $T_A = 0^\circ C$ to $70^\circ C$

All typical values are at $V_{DD} = 3.3V$ and $T_A = 25^\circ C$

Operating Conditions: Notes 1,2,3.

Symbol	Parameter	Conditions	Waveform	Min	Typ	Max	Unit
T_R	Rise & Fall Times	$C_L = 50$ pF	Figure 8-1	4		20	ns
T_F		Notes 4,5		4		20	
T_{RFM}	Rise/Fall time matching	(T_R / T_F)	Figure 8-1	90		110	%
V_{CRS}	Output Signal Crossover Voltage			1.3		2.0	V
Z_{DRV}	Driver Output Resistance	Steady State Drive		28		43	Ω
T_{DRATE}	Data Rate			11.97	12	12.03	Mbs
T_{DDJ1}	Source Differential Driver Jitter to Next Transition	Notes 6,7.	Figure 8-2	-3.5	0	3.5	ns
T_{DDJ2}	Source Differential Driver Jitter for Paired Transitions	Notes 6,7	Figure 8-2	-4.0	0	4.0	ns
T_{DEOP}	Differential to EOP Transition Skew	Note 7	Figure 8-3	-2	0	5	ns
T_{EOPT}	Source EOP Width	Note 7	Figure 8-3	160	167	175	ns
T_{JR1}	Receiver Data Jitter Tolerance to Next Transition	Note 7	Figure 8-4	-18.5	0	18.5	ns
T_{JR2}	Receiver Data Jitter Tolerance for Paired Transitions	Note 7	Figure 8-4	-9	0	9	ns
T_{EOPR1}	EOP Width at Receiver; Must reject as EOP	Note 7	Figure 8-3	40			ns
T_{EOPR2}	EOP Width at Receiver; Must accept as EOP	Note 7	Figure 8-3	80			ns

10.4.2 USB Port AC/DC Specification Notes

1. All voltages measured from the local ground potential, unless otherwise specified.
2. All timings use a capacitive load (C_L) to ground of 50 pF, unless otherwise specified.
3. Full Speed timings have a 1.5 k Ω pull-up to 3.3 V on the D+ data line.
4. Measured from 10% to 90% of the data signal.
5. The rising and falling edges should be smoothly transitioning (monotonic).
6. Timing difference between the differential data signals.
7. Measured at crossover point of differential data signals.
8. The maximum load specification is the maximum effective capacitive load allowed that meets the target hub V_{BUS} droop of 330 mV.
9. V_{DDC} and I_{DDC} refer to core power supply (pins designated V_{DD}). V_{DDL} and I_{DDL} refer to local bus power supply (pins designated $V_{DD, LOCAL}$).

10.4.3 USB Port AC Waveforms

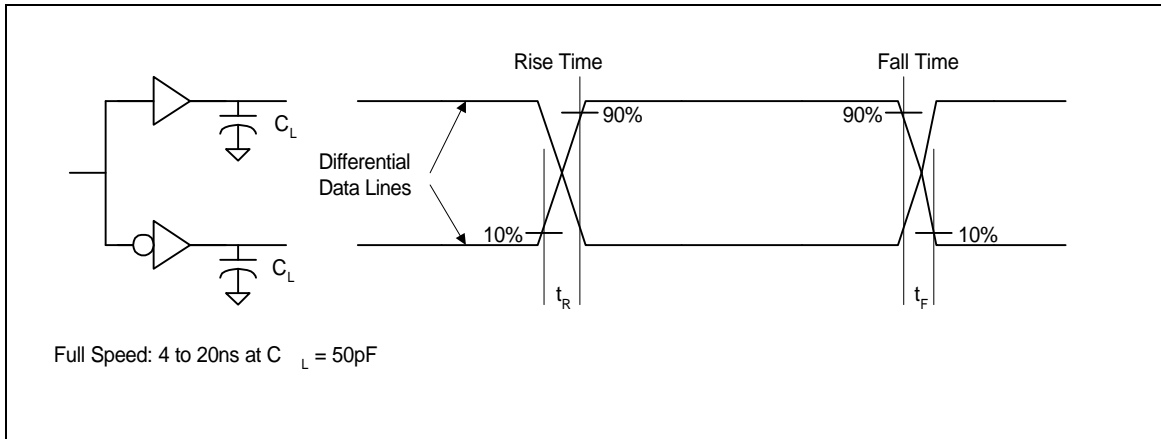


Figure 9-1. Data Signal Rise and Fall Time

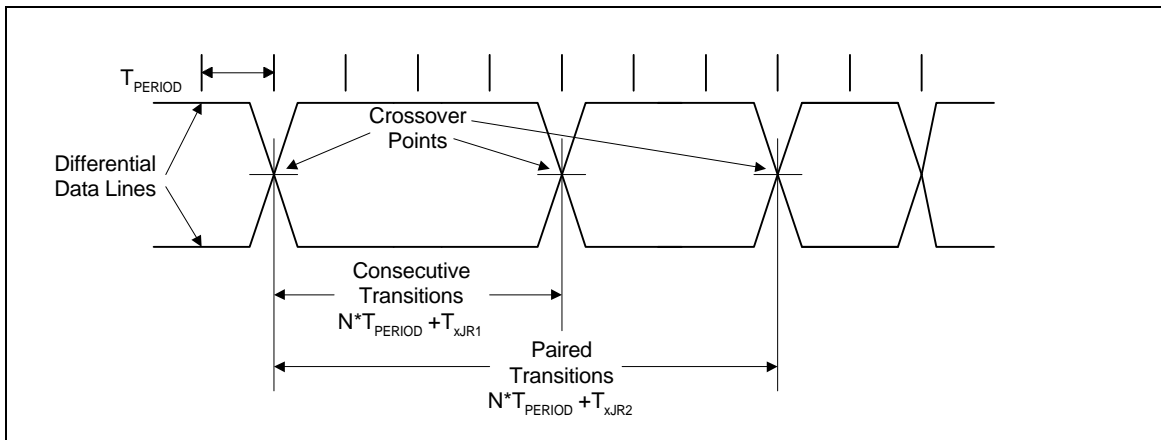


Figure 9-2. Differential Data Jitter

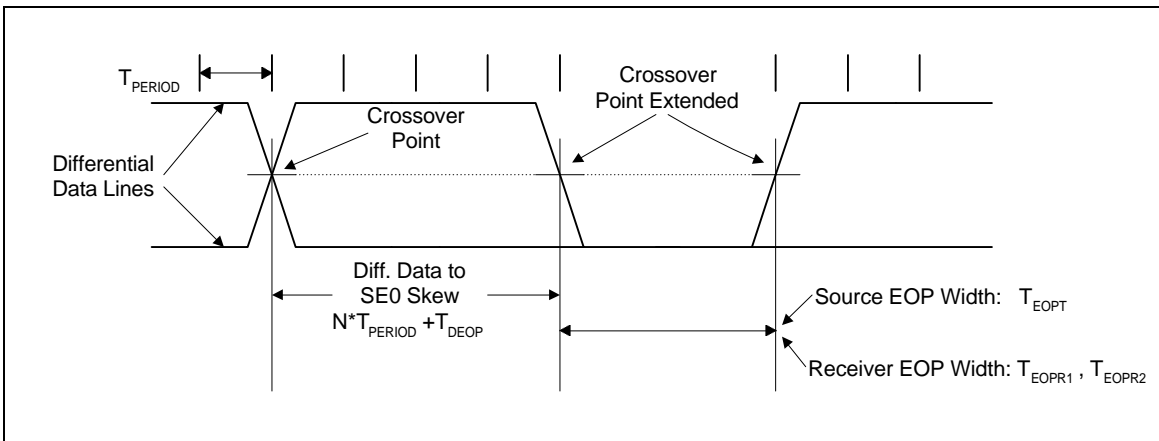


Figure 9-3. Differential to EOP Transition Skew and EOP Width

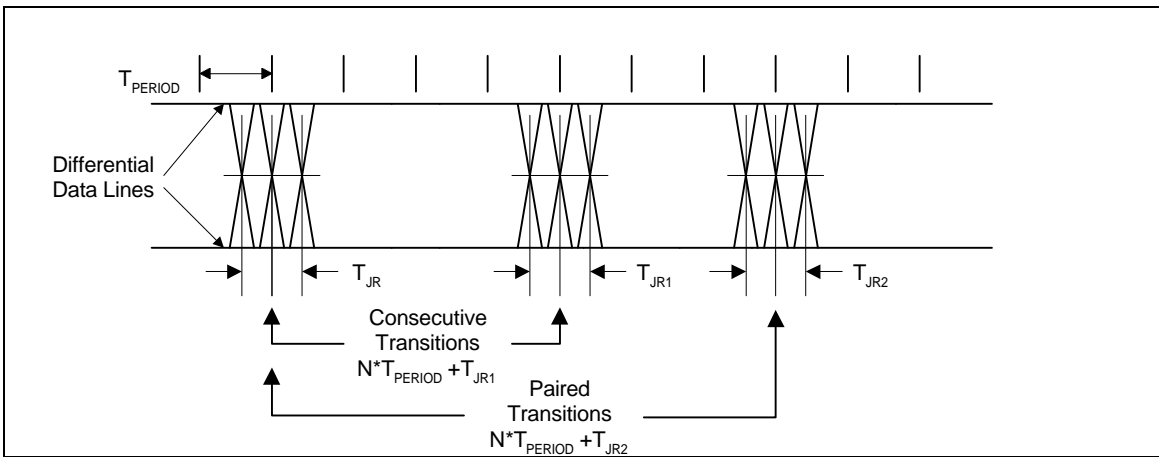


Figure 9-4. Receiver Jitter Tolerance

11 Mechanical Drawing

Plastic QFP 144pin Body size 28 x 28 x 3.35mm

