

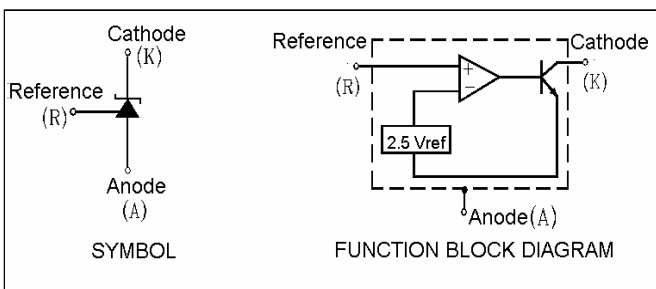
The PJ431, A, B integrated circuits are three-terminal programmable shunt regulator diodes. These monolithic IC voltage references operate as a low temperature coefficient zener which is programmable from Vref to 36 volts with two external resistors. These devices exhibit a wide operating current range of 1.0 to 100mA with a typical dynamic impedance of 0.22Ω. The characteristics of these references make them excellent replacements for zener

diodes in many applications such as digital voltmeters, power supplies, and op amp circuitry. The 2.5 volt reference makes it convenient to obtain a stable reference from 5.0 volt logic supplies, and since The PJ431, A, B operates as a shunt regulator, it can be used as either a positive or negative tage reference.

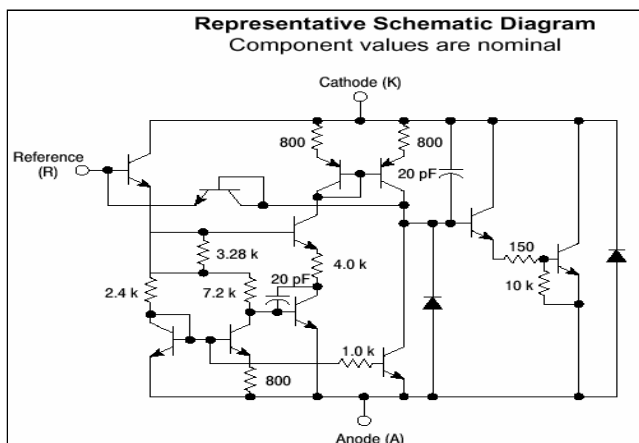
**FEATURES**

- Programmable Output Voltage to 36 Volts
- Voltage Reference Tolerance:
  - PJ431A : ±0.5%, Typ@25°C
  - PJ431 : ±1%, Typ@25°C
  - PJ431B : ±2%, Typ@25°C
- Low Dynamic Output Impedance, 0.22 Ω Typical
- Sink Current Capability of 1.0 to 100 mA
- Equivalent Full-Range Temperature Coefficient of 50 ppm/ °C Typical
- Temperature Compensated for Operation over Full Rated Operating Temperature Range
- Low Output Noise Voltage


**BLOCK DIAGRAM**



**CIRCUIT SCHEMATIC**




TO-92




Pin: 1. Reference  
2. Anode  
3. Cathode

SOT-89



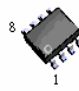
Pin: 1. Reference  
2. Anode  
3. Cathode  
  
(Heatsink surface connected to Pin 2)

SOT-23



Pin: 1. Reference  
2. Cathode  
3. Anode

SOP-8



Pin: 1. Cathode  
2. Anode  
3. Anode  
4. N.C.  
5. N.C.  
6. Anode  
7. Anode  
8. Reference

SOP-8 is an internally modified SOP-8 Package. Pins 2,3,6 and 7 are electrically common to the die attach flag. This internal lead frame modification decreases package thermal resistance and increases power dissipation capability when appropriately mounted on a printed on a printed circuit board. SOP-8 conforms to all external dimensions of the standard SOP-8 Package.

**ORDERING INFORMATION**

Device	Operating Temperature (Ambient)	Package
PJ431/ A/ B CT	- 20°C ~ +85°C	TO-92
PJ431/ A/ B CS		SOP-8
PJ431/ A/ B CY		SOT-89
PJ431/ A/ B CX		SOT-23

**MAXIMUM RATINGS** (Full operating ambient temperature range applies unless otherwise noted.)

Rating	Symbol	Value	Unit
Cathode To Anode Voltage	$V_{KA}$	37	V
Cathode Current Range, Continuous	$I_K$	-100 to +150	mA
Reference Input Current Range, Continuous	$I_{ref}$	-0.05 to +10	mA
Operating Junction Temperature	$T_J$	150	°C
Operating Ambient Temperature Range	$T_A$	-20 to +85	°C
Storage Temperature Range	$T_{stg}$	-65 to +150	°C
Total Power Dissipation @ $T_A = 25^\circ\text{C}$ Derate above 25°C Ambient Temperature PJ431 / 431A / 431B CT PJ431 / 431A / 431B CS PJ431 / 431A / 431 B CY PJ431 / 431A / 431B CX	$P_D$	0.625 0.70 0.80 0.30	W
Total Power Dissipation @ $T_C = 25^\circ\text{C}$ Derate above 25°C Case Temperature PJ431 / 431A / 431B CT PJ431 / 431A / 431B CS PJ431 / 431A / 431 B CY PJ431 / 431A / 431B CX	$P_D$	1.5 1.5 1.5 0.7	W

**THERMAL CHARACTERISTICS**

Characteristics	Symbol	Min	Max	Unit
Thermal Resistance, Junction to Ambient	$R_{\theta JA}$	178	114	°C /W
Thermal Resistance, Junction to Case	$R_{\theta JC}$	83	41	°C/W

**RECOMMENDED OPERATING CONDITIONS**

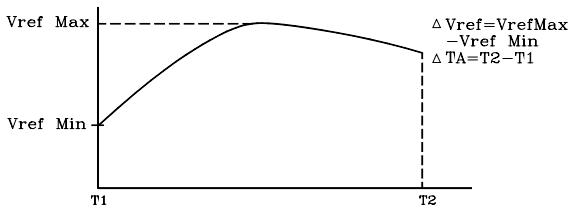
Condition/Value	Symbol	Min	Max	Unit
Cathode To Anode Voltage	$V_{KA}$	$V_{ref}$	36	V
Cathode Current	$I_K$	1.0	100	mA

**1**

$T_{low} = -20^{\circ}C$ ,  $T_{high} = +85^{\circ}C$

**2**

The deviation parameter  $\Delta V_{ref}$  is defined as the differences between the maximum and minimum values obtained over the full operating ambient temperature range the applies.



The average temperature coefficient of the reference input voltage,  $\alpha V_{ref}$ , is defined as :

$$\alpha V_{ref} \frac{\text{ppm}}{^{\circ}C} = \frac{(\Delta v_{ref})}{V_{ref@25^{\circ}C}} \times 10^6 = \frac{\Delta V_{ref} \times 10^6}{\Delta T_A (V_{ref@25^{\circ}C})}$$

$\alpha V_{ref}$  can be positive or negative depending on whether  $V_{ref} \text{ Min}$  or  $V_{ref} \text{ Max}$  occurs at the lower ambient temperature. (Refer to Figure 6)

Example:  $\Delta V_{ref} = 8.0 \text{ mV}$  and slope is positive,  
 $V_{ref} @ 25^{\circ}C = 2.5V$ ,  $\Delta T_A = 85^{\circ}C$

$$\alpha V_{ref} = \frac{0.008 \times 10^6}{70(2.5)} = 45.8 \text{ ppm}/^{\circ}C$$

**3**

The dynamic impedance  $Z_{ka}$  is defined as:

$$|Z_{ka}| = \frac{\Delta V_{KA}}{\Delta I_K}$$

When the device is programmed with two external resistors, R1 and R2, (refer to Figure 2) the total dynamic impedance of the circuit is defined as:

$$|Z_{ka}| \approx |Z_{ka}| \left( 1 + \frac{R1}{R2} \right)$$

**4**

This test is not applicable to surface mount (D suffix) devices.

FIGURE 1 -- TEST CIRCUIT FOR  $V_{KA} = V_{ref}$

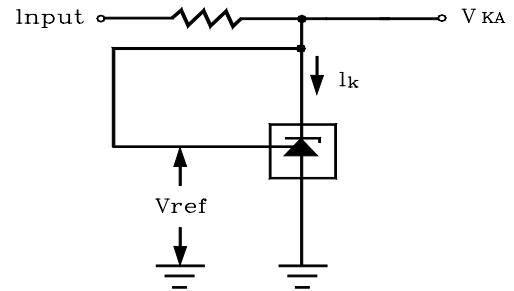
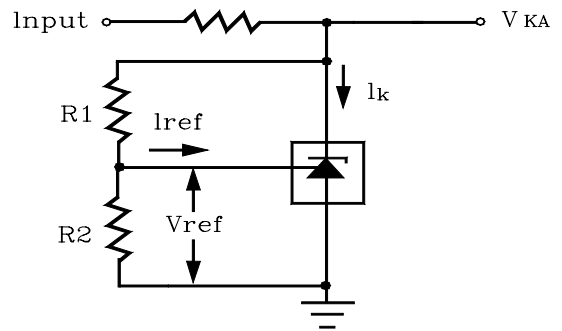
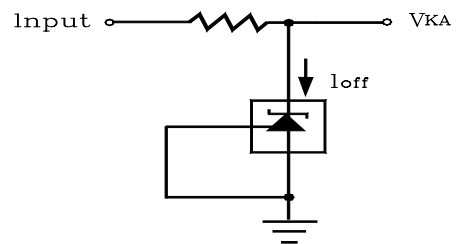


FIGURE 2 -- TEST CIRCUIT FOR  $V_{KA} > V_{ref}$



$$V_{KA} = V_{ref} \left( 1 + \frac{R1}{R2} \right) + I_{ref} \cdot R1$$

FIGURE 3 -- TEST CIRCUIT FOR  $I_{off}$



**ELECTRICAL CHARACTERISTICS** ( Ambient temperature at 25°C unless otherwise noted )

Characteristic	Symbol	PJ431			Unit
		Min	Typ	Max	
Reference Input Voltage (Figure 1) $V_{KA} = V_{ref}$ , $I_K = 10 \text{ mA}$ , $T_A = +25^\circ\text{C}$ $T_A = T_{low}$ to $T_{high}$ (Note 1) PJ431A PJ431 PJ431B	$V_{ref}$	2.4875 2.475 2.45	2.495 2.495 2.495	2.5125 2.525 2.55	V
Reference Input Voltage Deviation Over Temperature Range (Figure 1, Note 1,2,4) $V_{KA} = V_{ref}$ , $I_K = 10 \text{ mA}$	$\Delta V_{ref}$	--	3.0	17	mV
Ratio of Change in Reference Input Voltage to Change in Cathode to Anode Voltage $I_K = 10 \text{ mA}$ (Figure 2), $\Delta V_{KA} = 10\text{V}$ to $V_{ref}$ $\Delta V_{KA} = 36\text{V}$ to $10\text{V}$	$\frac{\Delta V_{ref}}{\Delta V_{KA}}$	-- --	-1.4 -1.0	-2.7 -2.0	mV
Reference Input Current (Figure 2) $I_K = 10 \text{ mA}$ , $R1 = 10 \text{ k}$ , $R2 = \infty$ $T_A = +25^\circ\text{C}$ $T_A = T_{low}$ to $T_{high}$ (Note 1)	$I_{ref}$	-- --	0.7 --	4.0 5.2	$\mu\text{A}$
Reference Input Current Deviation Over Temperature Range (Figure 2, Note 1,4) $I_K = 10 \text{ mA}$ , $R1 = 10 \text{ k}$ , $R2 = \infty$	$\Delta I_{ref}$	--	0.4	1.2	$\mu\text{A}$
Minimum Cathode Current for Regulation $V_{KA} = V_{ref}$ (Figure 1)	$I_{min}$	--	0.5	1.0	mA
Off-State Cathode Current (Figure 3) $V_{KA} = 36 \text{ V}$ , $V_{ref} = 0\text{V}$	$I_{off}$	--	2.6	1000	nA
Dynamic Impedance (Figure 1, Note 3) $V_{KA} = V_{ref}$ , $\Delta I_K = 1.0 \text{ mA}$ to $100 \text{ mA}$ , $f \leq 1.0 \text{ kHz}$	$ Z_{ke} $	--	0.22	0.5	$\Omega$

FIGURE 4-CATHODE CURRENT versus CATHODE VOLTAGE

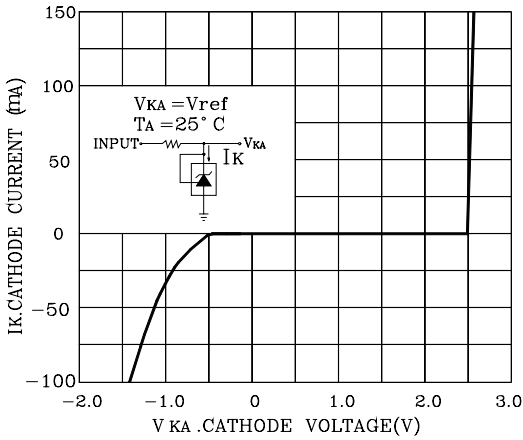


FIGURE 5-CATHODE CURRENT versus CATHODE VOLTAGE

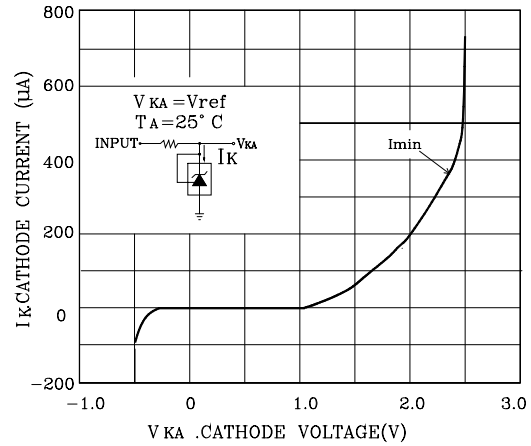


FIGURE 6-REFERENCE INPUT VOLTAGE versus AMBIENT TEMPERATURE

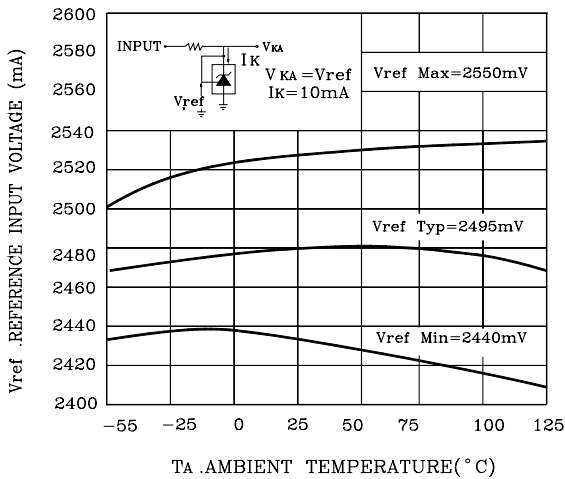


FIGURE 7-REFERENCE INPUT CURRENT versus AMBIENT TEMPERATURE

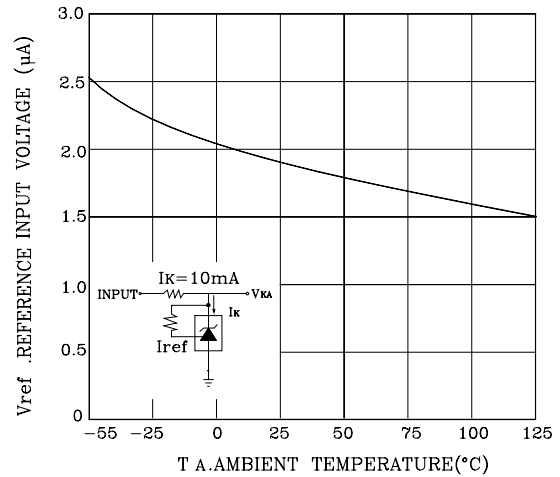


FIGURE 8-CHANGE IN REFERENCE INPUT VOLTAGE versus CATHODE VOLTAGE

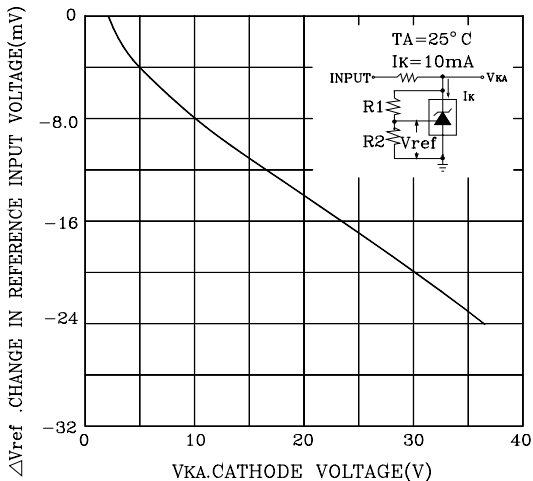


FIGURE 9-OFF-STATE CATHODE CURRENT versus AMBIENT TEMPERATURE

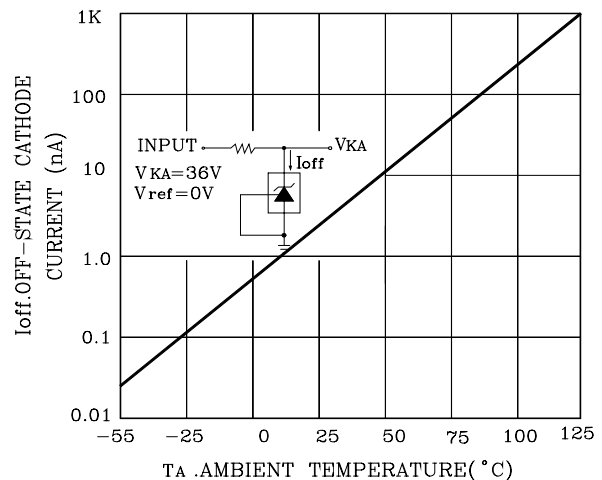


FIGURE 10 - DYNAMIC IMPEDANCE  
VERSUS FREQUENCY

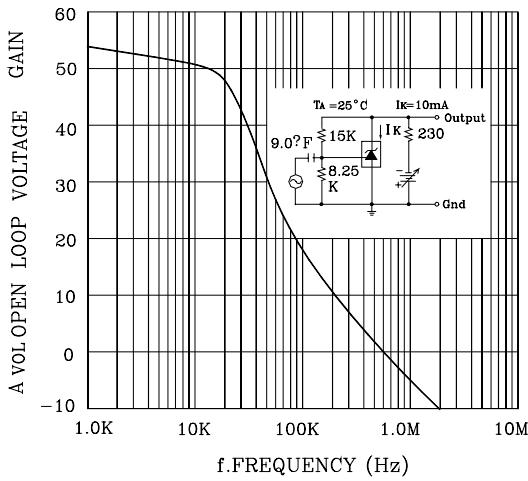


FIGURE 11 - DYNAMIC IMPEDANCE VERSUS  
AMBIENT TEMPERATURE

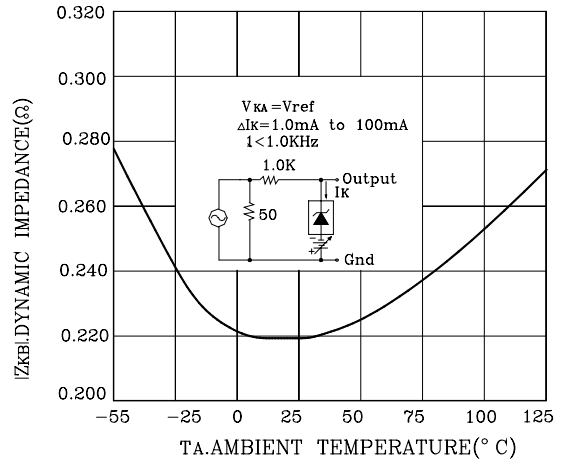


FIGURE 12 - OPEN LOOP VOLTAGE GAIN VERSUS  
FREQUENCY

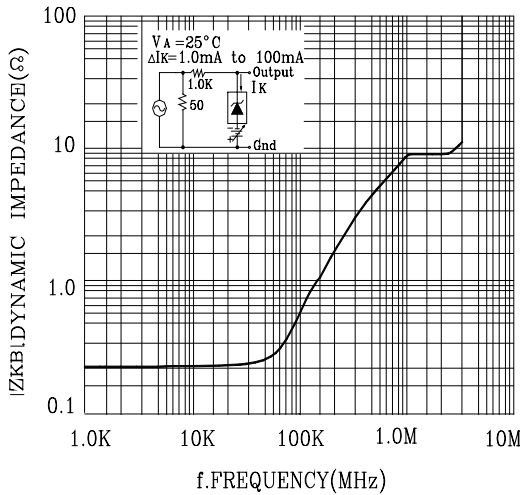


FIGURE 13 - SPECTRAL NOISE DENSITY

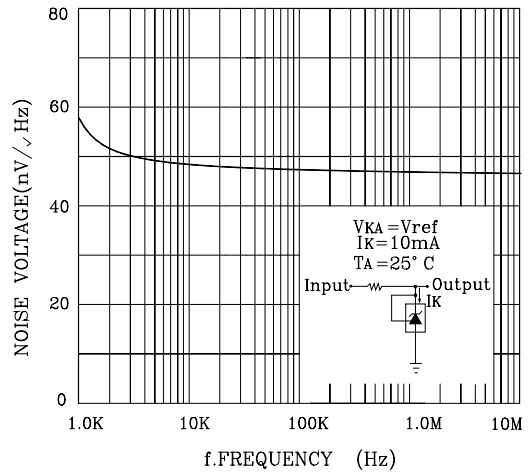


FIGURE 14 - PULSE RESPONSE

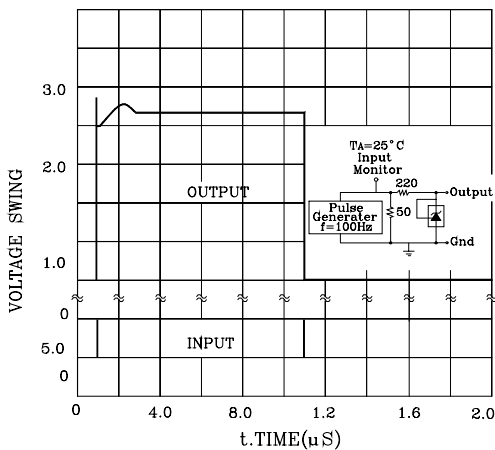


FIGURE 15 - STABILITY BOUNDARY CONDITIONS

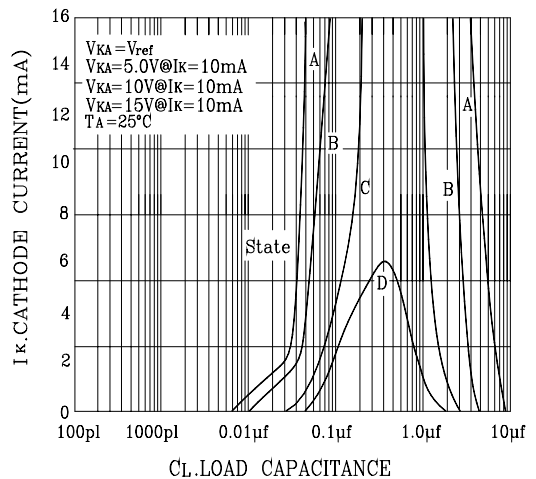


FIGURE 16-TEST CIRCUIT FOR CURVE A OF STABILITY BOUNDARY CONDITIONS

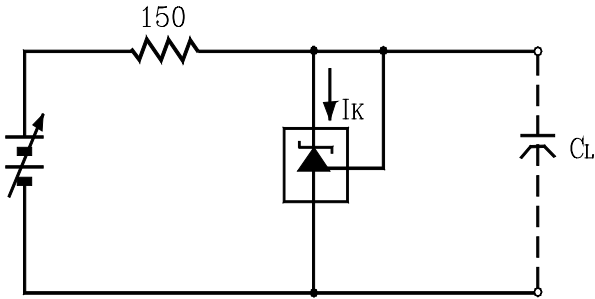


FIGURE 17-TEST CIRCUIT FOR CURVES B.C. AND D OF STABILITY BOUNDARY CONDITIONS

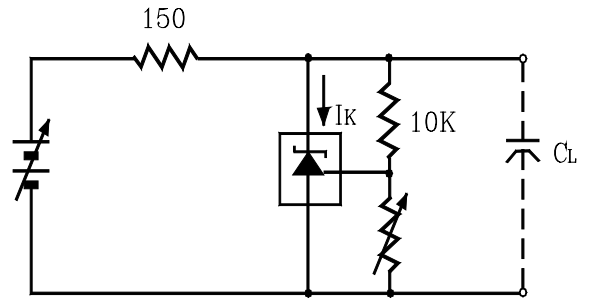


FIGURE 18-SHUNT REGULATOR

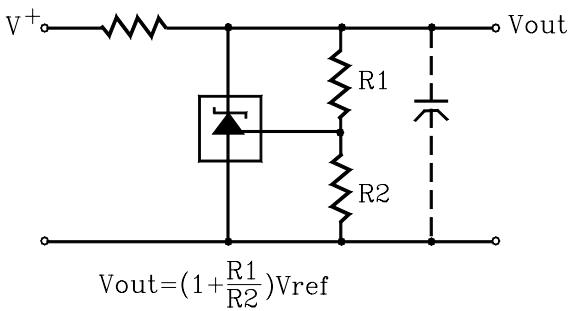


FIGURE 19-HIGH CURRENT SHUNT REGULATOR

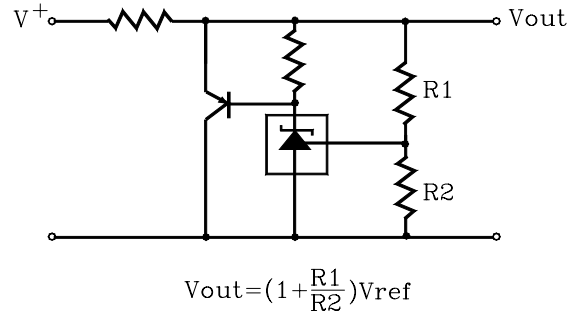


FIGURE 20-OUTPUT CONTROL OF A THREE-TERMINAL FIXED EGULATOR

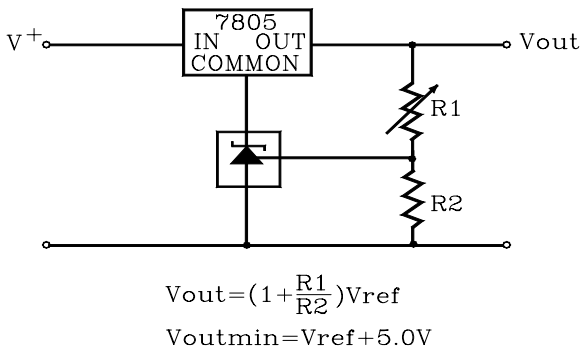


FIGURE 21-SERIES PASSEGULATOR

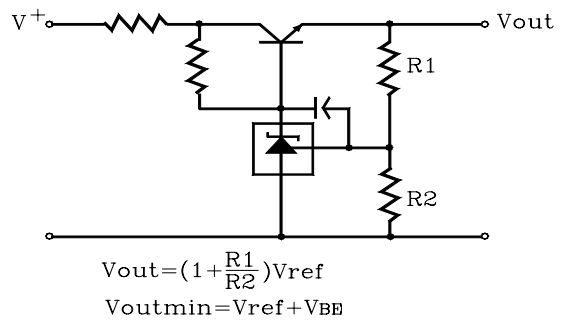
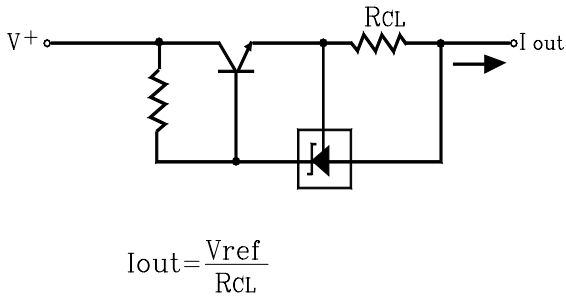
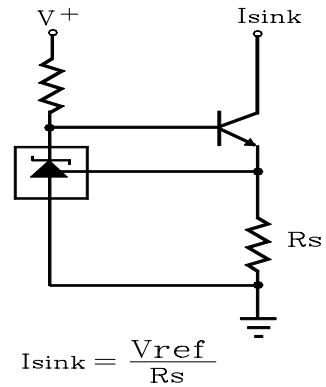


FIGURE 22-CONSTANT CURRENT SOURCE



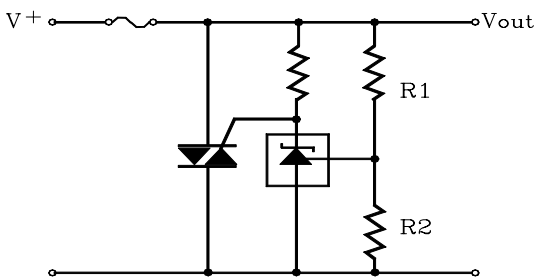
$$I_{out} = \frac{V_{ref}}{R_{CL}}$$

FIGURE 23-CONSTANT CURRENT SINK



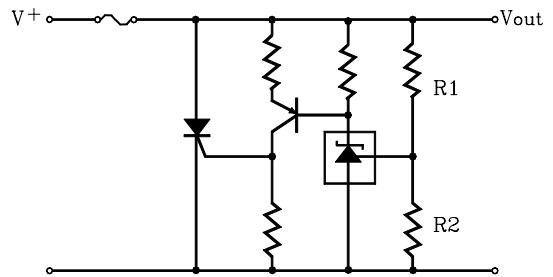
$$I_{sink} = \frac{V_{ref}}{R_s}$$

FIGURE 24-TRIAC CROWBAR



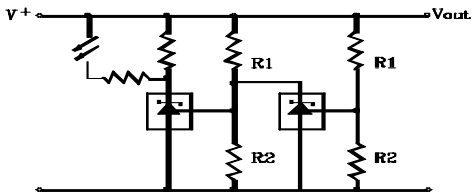
$$V_{out(trip)} = (1 + \frac{R_1}{R_2}) V_{ref}$$

FIGURE 25-SCR CROWBAR



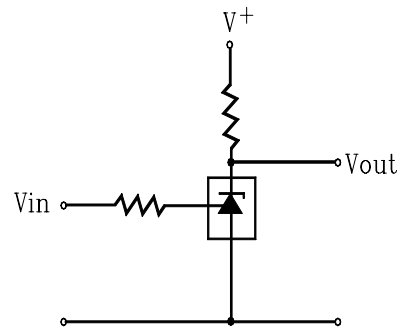
$$V_{out(trip)} = (1 + \frac{R_1}{R_2}) V_{ref}$$

FIGURE 26-VOLTAGE MONITOR



Lower Limit =  $(1 + \frac{R_1}{R_2}) V_{ref}$   
Upper Limit =  $(1 + \frac{R_3}{R_4}) V_{ref}$

FIGURE 27-SINGLE-SUPPLY COMPARATOR WITH TEMPERATURE-COMPENSATED THRESHOLD



Vin	Vout
<Vuref	V+
>Vuref	≈2.0V

L.E.D. indicator is “on” when V+ is between the upper and lower limits.



FIGURE 28-LINER OHMMETER

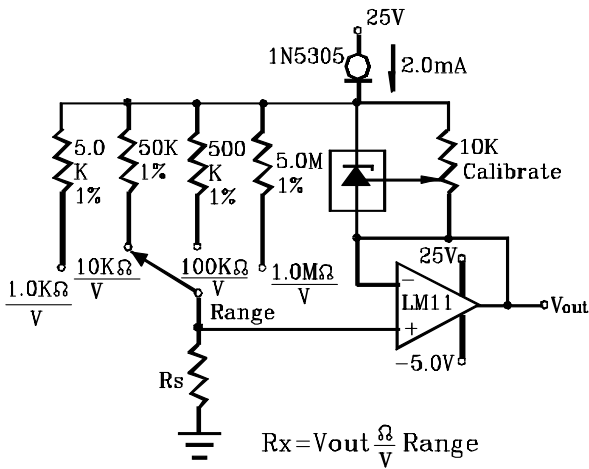


FIGURE 29-SIMPLE 400mW PHONO AMPLIFIER

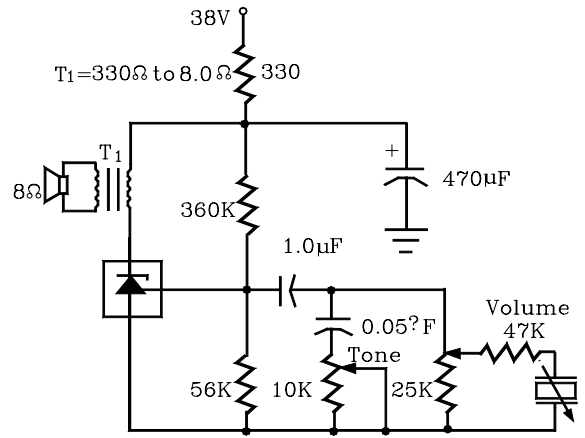
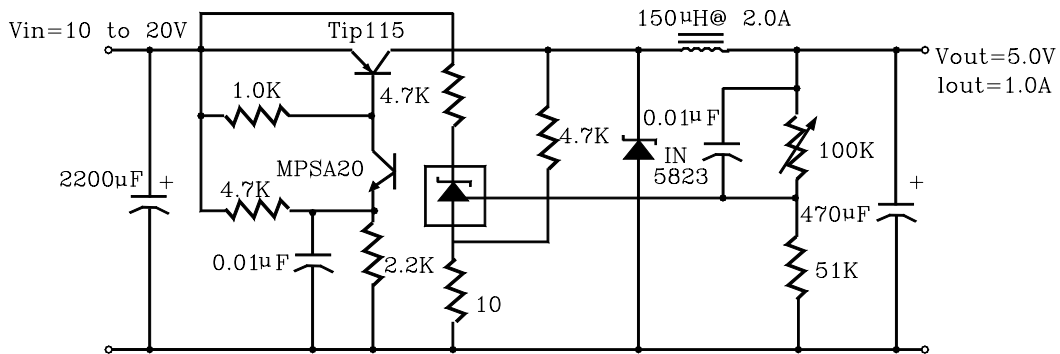


FIGURE 30-HIGH EFFICIENCY STEP-DOWN SWITCHING CONVERTER

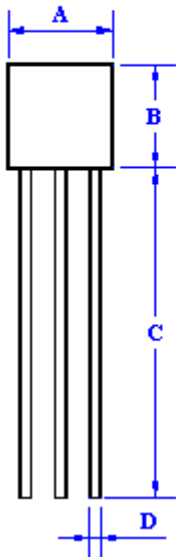


TEST	CONDITIONS	RESULTS
Line Regulation	Vin=10V to 20V, Io=1.0A	53mV (1.1%)
Load Regulation	Vin=15V, Io=0A to 1.0A	25mV (0.5%)
Output Ripple	Vin=10V, Io=1.0A	50mVp-p P.A.R.D.
Output Ripple	Vin=20V, Io=1.0A	100mVp-p P.A.R.D.
Efficiency	Vin=15V, Io=1.0A	82%

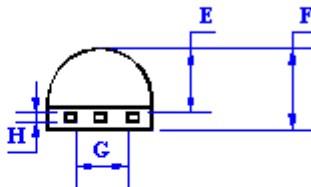
TO-92 Mechanical drawing

TO-92 Unit:mm

1.Top View



2 Side View

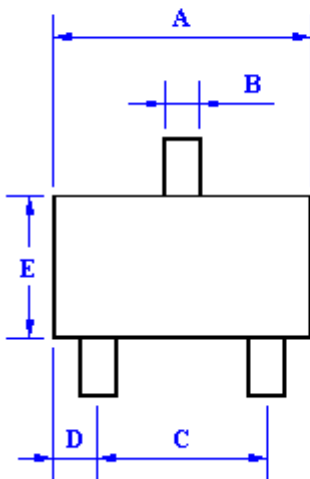


TO-92 DIMENSION				
DIM	MILLIMETERS		INCHES	
	MIN	MAX	MIN	MAX
A	4.3	4.7	0.169	0.185
B	4.3	4.7	0.169	0.185
C	14.3	14.3	0.563	0.563
D	0.435	0.485	0.017	0.019
E	2.19	2.81	0.086	0.111
F	3.3	3.7	0.130	0.146
G	2.42	2.66	0.095	0.105
H	0.375	0.425	0.015	0.107

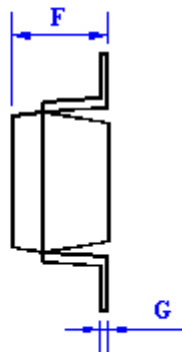
SOT-23 Mechanical drawing

SOT-23 Unit:mm

1.Top View



2. Side View

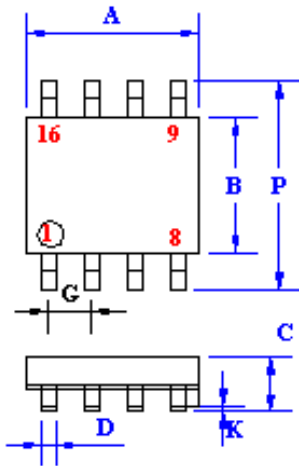


SOT-23 DIMENSION				
DIM	MILLIMETERS		INCHES	
	MIN	MAX	MIN	MAX
A	2.88	2.91	0.110	0.120
B	0.39	0.42	0.014	0.018
C	1.78	2.03	0.070	0.080
D	0.51	0.61	0.020	0.024
E	1.59	1.66	0.061	0.065
F	1.04	1.08	0.038	0.049
G	0.07	0.09	0.003	0.005

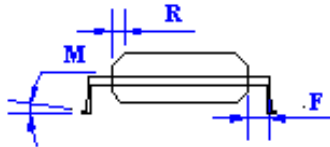
**SOP-8 Mechanical drawing**

SOP-8 Unit:mm

1.Top View



2.Side View

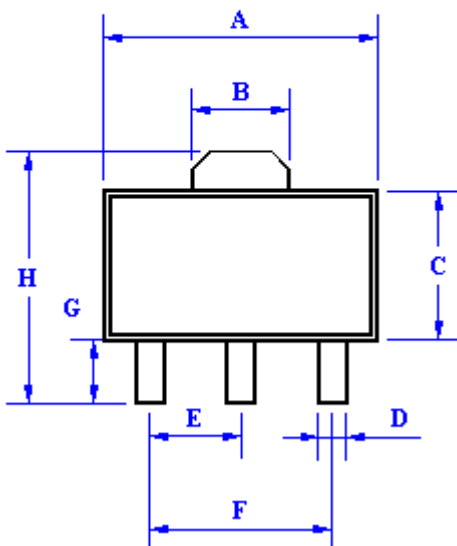


SOP-8 DIMENSION				
DIM	MILLIMETERS		INCHES	
	MIN	MAX	MIN	MAX
A	4.80	5.00	0.189	0.196
B	3.80	4.00	0.150	0.157
C	1.35	1.75	0.054	0.068
D	0.35	0.49	0.014	0.019
F	0.40	1.25	0.016	0.049
G	1.27BSC		0.05BSC	
K	0.10	0.25	0.004	0.009
M	0°	7°	0°	7°
P	5.80	6.20	0.229	0.244
R	0.25	0.50	0.010	0.019

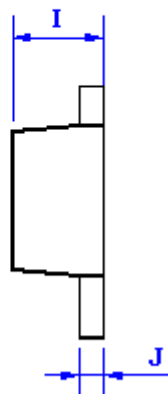
**SOT-89 Mechanical drawing**

SOT-89 Unit:mm

1.Top View



2.Side View



SOT-89 Dimension				
DIM	MILLIMETERS		INCHES	
	MIN	MAX	MIN	MAX
A	4.4	4.6	0.173	0.181
B	1.5	1.7	0.059	0.070
C	2.30	2.60	0.090	0.102
D	0.40	0.52	0.016	0.020
E	1.50	1.50	0.059	0.059
F	3.00	3.00	0.118	0.118
G	0.89	1.20	0.035	0.047
H	4.05	4.25	0.159	0.167
I	1.4	1.6	0.055	0.063
J	0.35	0.44	0.014	0.017