

DATA SHEET

SA57031-XX

Micropower 150 mA, low-noise, low dropout
linear regulator with on/off

Product data
Supersedes data of 2003 Feb 24

2003 Jun 23

Micropower 150 mA, low-noise, low dropout linear regulator with on/off

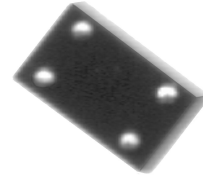
SA57031-XX

GENERAL DESCRIPTION

The SA57031 is a 150 mA, fixed output voltage regulator designed to provide very low dropout voltage and low noise in battery powered and portable applications. The output voltage is preset to voltages between 1.8 to 5.0 Volts, in 100 mV increments.

The SA57031 achieves excellent performance in all specifications such as excellent power supply ripple rejection at low frequency, low supply-current, low dropout voltage, low power consumption, extremely small size with chip scaled package (CSP), extremely low output noise voltage, very fast start-up response time, precision output, fast dynamic response to line and load regulation, etc. This regulator consists of an internal voltage reference, and current limit.

The SA57031 is housed in a WL-CSP4 package (see dimensional drawing for layout).



Bottom View

FEATURES

- Many Preset Output Voltages: 1.8 to 5.0 V in 0.1 V increments
- Wafer-level chip scale package (WL-CSP4)
- Extremely low PSRR: 80 dB typical at 1 kHz
- Low Dropout Voltage: 100 mV (typ) @ 50 mA output current
- Very Low Consumption Current: 100 mA typ. (when not loaded), 0.1 mA max. (when off)
- High precision Output Voltage: $\pm 2\%$
- Output Current Capacity: 150 mA (typ)
- Low Noise: 30mVrms @ 10 Hz to 100 kHz
- Good Line Regulation: 0.01%/V typ.
- Good Load Regulation: 0.003%/mA typ.

- Low Temperature Drift Co-efficient to V_O : ± 100 ppm/ $^{\circ}\text{C}$
- Built-in Current Limiter
- Wide Operating Temperature Range: -40 to $+85$ $^{\circ}\text{C}$

APPLICATIONS

- Cellular Phones, Cordless Phones and 2-way Radios
- Electronic Notebooks, PDAs and Palmtop Computers
- Cameras, VCRs and Camcorders
- PCMCIA Cards
- Modems
- Battery-powered or Hand-held Instruments

SIMPLIFIED SYSTEM DIAGRAM (BOTTOM VIEW)

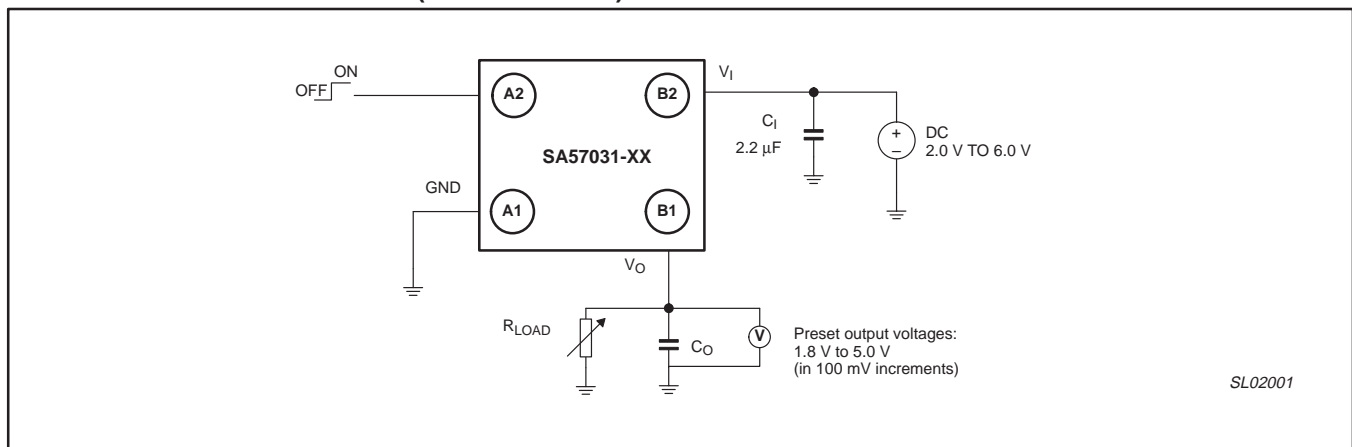


Figure 1. Simplified system diagram.

Micropower 150 mA, low-noise, low dropout linear regulator with on/off

SA57031-XX

ORDERING INFORMATION

TYPE NUMBER	PACKAGE		TEMPERATURE RANGE
	NAME	DESCRIPTION	
SA57031-XXUK	WL-CSP4	wafer level, chip-scale package; 4 bumps	-40 to +85 °C

NOTE:

The device has five voltage output options, indicated by the **XX** on the Type Number. Other voltages, between 2.5 to 5.0 V in 100 mV increments, are available on request.

XX	VOLTAGE (Typical)
18	1.8 V
24	2.4 V
28	2.8 V

PIN DESCRIPTION

PIN	SYMBOL	DESCRIPTION
A1	GND	Device ground
B1	VO	Voltage output
B2	VI	Voltage input
A2	ON/OFF	Control pin. Connect to VI if not used.

PIN CONFIGURATION (TOP VIEW)

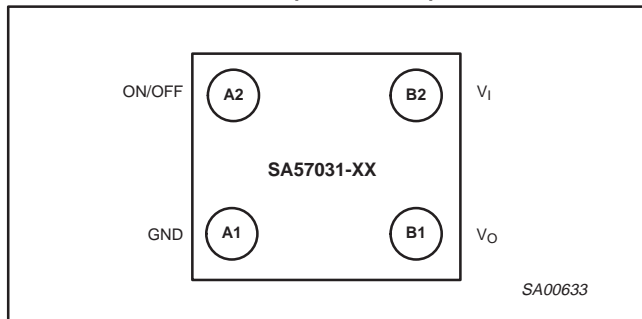


Figure 2. Pin configuration.

MAXIMUM RATINGS

Symbol	Parameter	Min	Max	Unit
Tstg	Storage temperature range	-40	+150	°C
Toper	Operating Temperature Range	-40	+85	°C
VI	Supply voltage	-0.3	+7	V
IO	Output Current	-	200	mA
P	Power dissipation	-	190	mW

Micropower 150 mA, low-noise, low dropout linear regulator with on/off

SA57031-XX

CHARACTERISTICS

Tamb = 25 °C; VI = VO(nom) + 1 V; VON/OFF = 2 V; IO = 1 mA unless otherwise specified.

SYMBOL	PARAMETER	CONDITIONS	MIN.	TYP.	MAX.	UNIT
I _{CC}	No-load input current	I _O = 0 mA	–	45	100	μA
		I _O = 50 mA	–	55	–	
		I _O = 150 mA	–	60	–	
I _{CC(OFF)}	Input current (off)	V _{ON/OFF} = 0.25 V	–	0.1	1	μA
I _q	Quiescent Current	I _O = 0 to 150 mA	–	100	190	μA
ΔV _{LNR}	Line regulation	V _I = V _O + 0.5 V to 6 V	–	5	10	mV
ΔV _{LDR}	Load regulation	I _O = 1 to 50 mA	–	10	25	mV
		I _O = 1 to 100 mA	–	20	50	
		I _O = 1 to 150 mA	–	30	70	
ΔVO/ΔT	VO Temperature coefficient	T _j = –30 to +85 °C	–		–	ppm/°C
PSRR	Power supply ripple rejection	f = 1 kHz; I _O = 1 mA; V _{ripple} = 0.5 V; V _O = 1.8 to 4.0 V	–	80	–	dB
		f = 1 kHz; I _O = 1 mA; V _{ripple} = 0.5 V; V _O = 4.1 to 5.0 V	–	70	–	
V _n	Output noise voltage	f _{BW} = 20 to 80 kHz; C _O = 2.2 μF	–	30	–	μV _{rms}
I _{ON/OFF}	Output short-circuit current	V _I = V _O + 1 V; V _O = 0 V	–	30	–	mA
V _{ON/OFF(H)}	ON/OFF HIGH threshold voltage		1.5	–	V _I	V
V _{ON/OFF(L)}	ON/OFF LOW threshold voltage		0	–	0.25	V
R _{ON/OFF}	ON/OFF Pull-down resistance		2.5	5	15	MΩ
V _O	Output voltage (nominal)		x0.98	nom	x1.02	V
V _{dropout}	Dropout voltage	V _O = 2.0 to 2.3	–	0.25	0.35	V
		V _O = 2.4 to 2.7	–	0.24	0.29	
		V _O = 2.8 to 5.0	–	0.23	0.26	

PRESET OUTPUT VOLTAGES

Part Number	Min	Typ	Max
SA57031-25UK	2.450	2.500	2.550
SA57031-28UK	2.744	2.800	2.856
SA57031-30UK	2.940	3.000	3.060
SA57031-33UK	3.234	3.300	3.366
SA57031-36UK	3.528	3.600	3.672

Micropower 150 mA, low-noise, low dropout linear regulator with on/off

SA57031-XX

TYPICAL PERFORMANCE CURVES

Shown for the SA57031-28UK only; $T_{amb} = 25\text{ }^{\circ}\text{C}$; $V_I = V_O + 1\text{ V}$; $V_{On/Off} = V_I$; $C_{in} = 2.2\text{ }\mu\text{F}$, $C_O = 2.2\text{ }\mu\text{F}$ unless otherwise specified

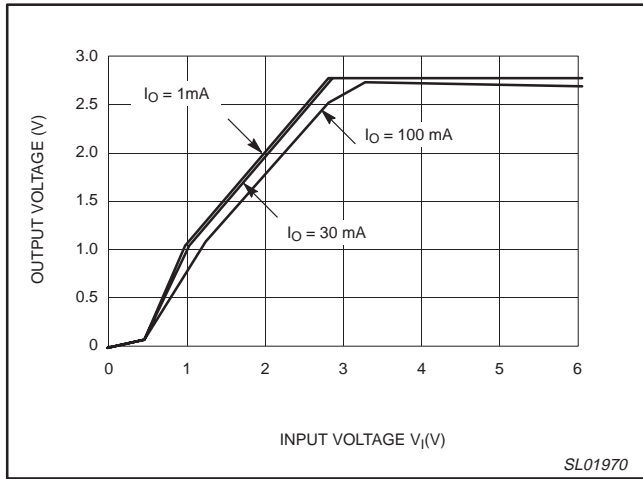


Figure 3. Output voltage versus input voltage.

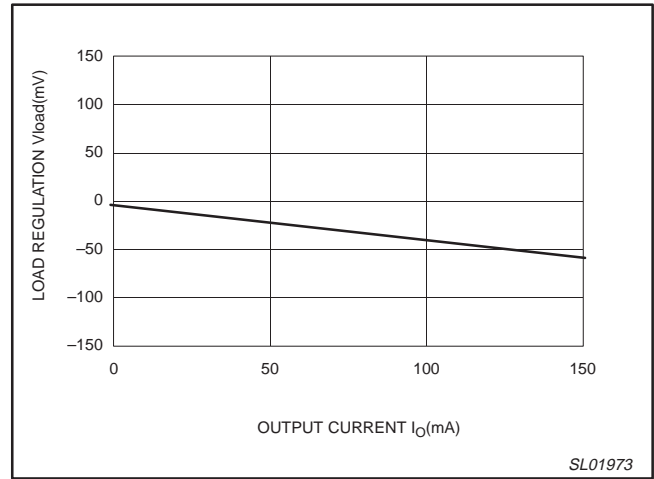


Figure 6. Load regulation versus load current.

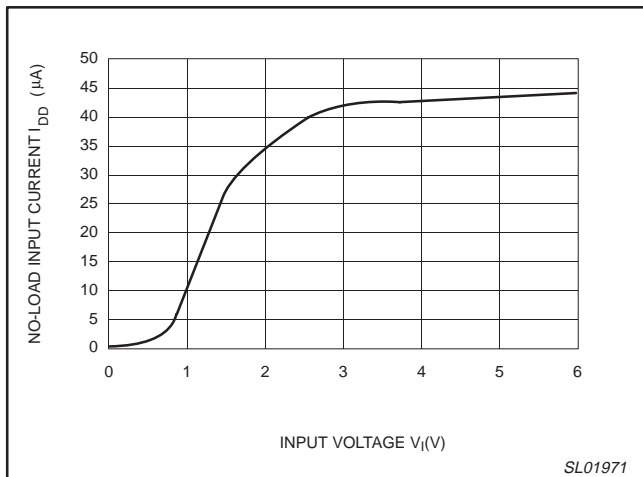


Figure 4. No-load input current versus input voltage.

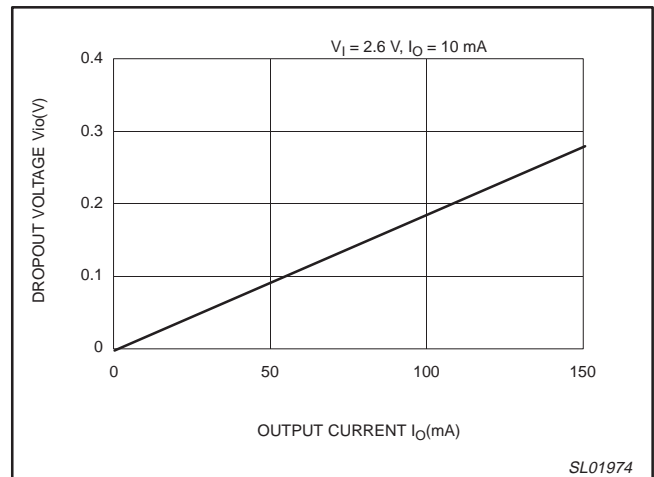


Figure 7. Dropout voltage versus output current.

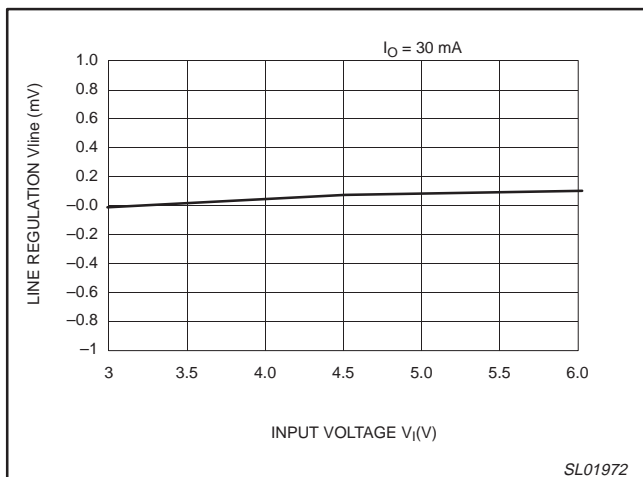


Figure 5. Line regulation versus input voltage.

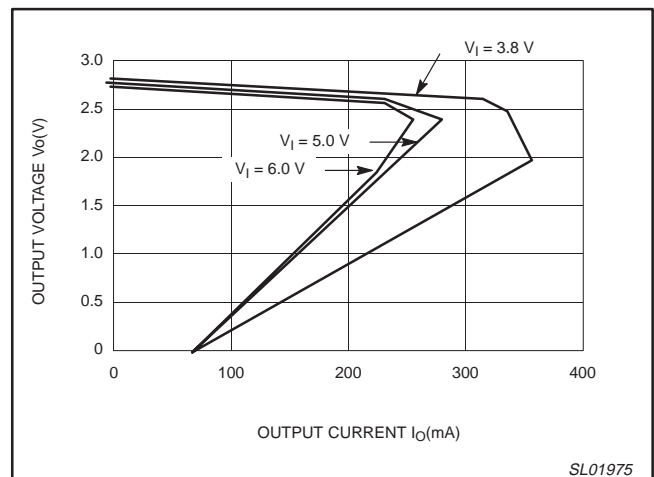


Figure 8. Current limit versus output current.

Micropower 150 mA, low-noise, low dropout linear regulator with on/off

SA57031-XX

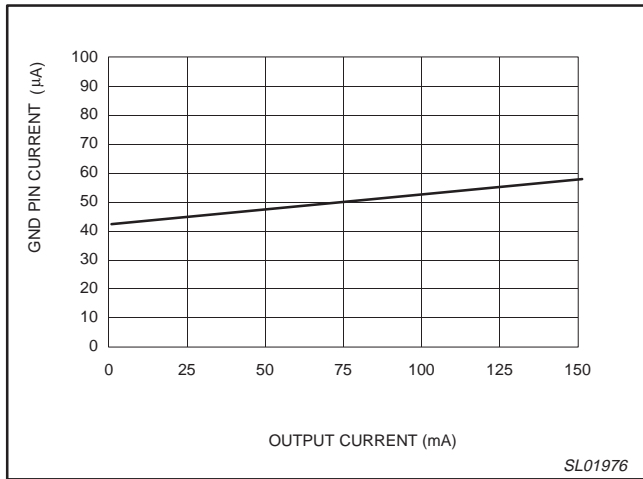


Figure 9. Ground pin current.

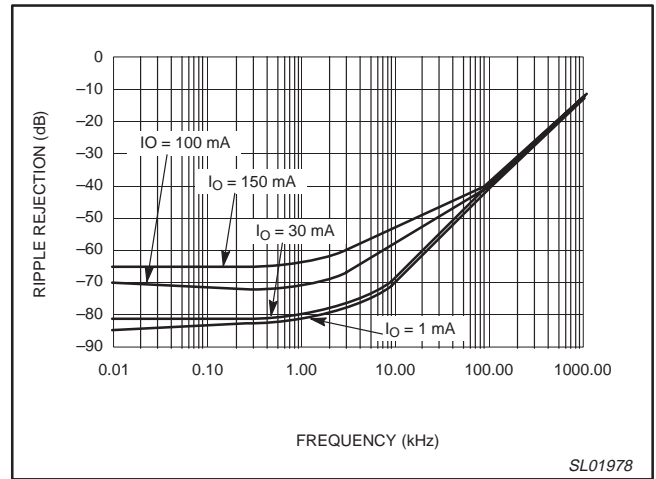


Figure 11. Ripple rejection.

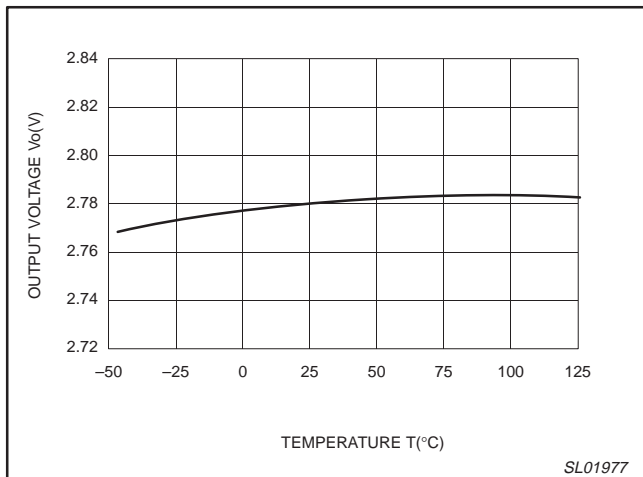


Figure 10. Output voltage versus ambient temperatures.

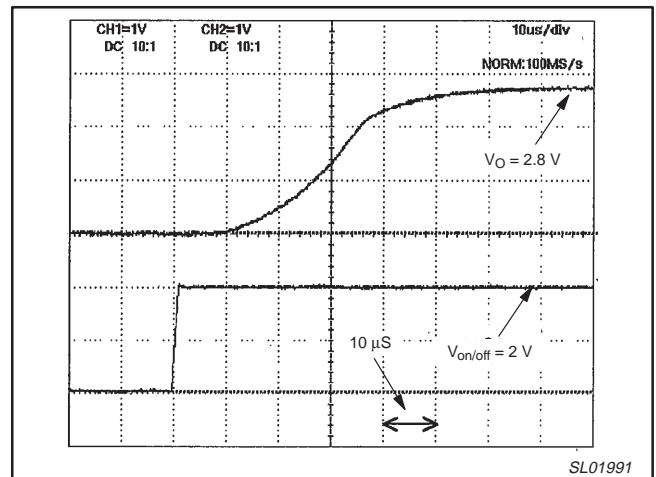


Figure 12. On/off control pin.

Micropower 150 mA, low-noise, low dropout linear regulator with on/off

SA57031-XX

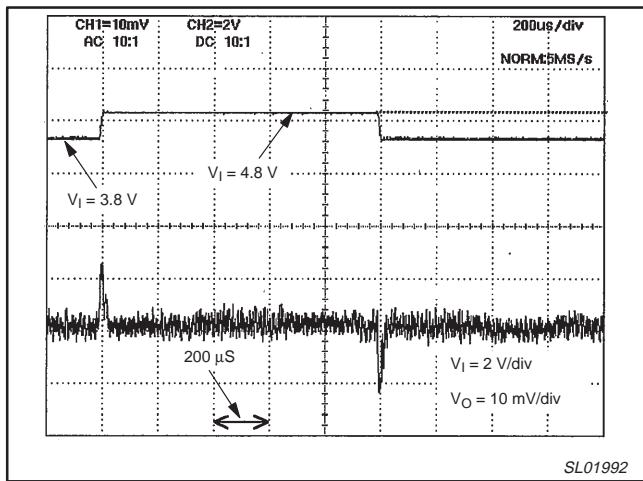


Figure 13. Line transient response.

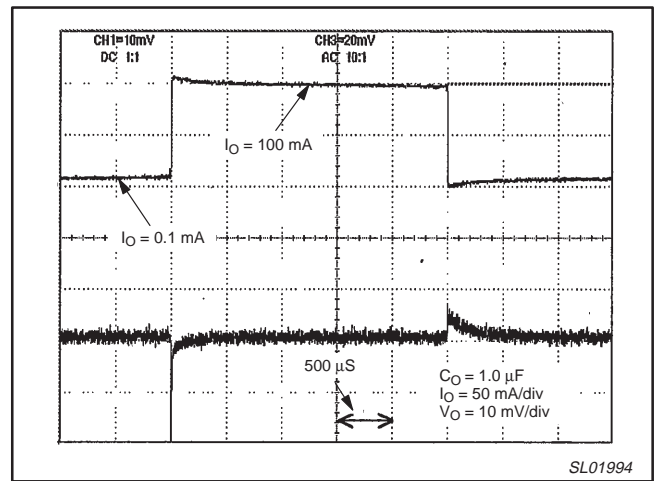


Figure 15. Load transient response.

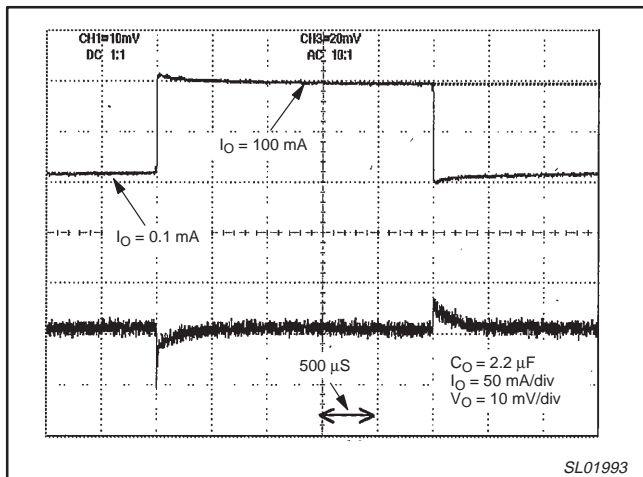


Figure 14. Load transient response.

Micropower 150 mA, low-noise, low dropout linear regulator with on/off

SA57031-XX

TECHNICAL DISCUSSION

As illustrated in Figure 16, the SA57031 consists of a band-gap voltage reference, an error amplifier, P-channel pass transistor, current limit circuit and an internal feedback voltage divider. The output voltage is fed back through an internal resistor voltage divider connected to the VO pin.

voltage and amplifies the difference. If the feedback voltage is lower than the reference voltage, the pass transistor's gate is pulled lower, which allows more current to pass to the output and increase the output voltage. If the feedback voltage is too high, the pass transistor gate is pulled up, allowing less current to pass to the output, resulting in a decrease in output voltage.

The reference is connected to the error amplifier's inverting input. The error amplifier compares the reference with the feedback

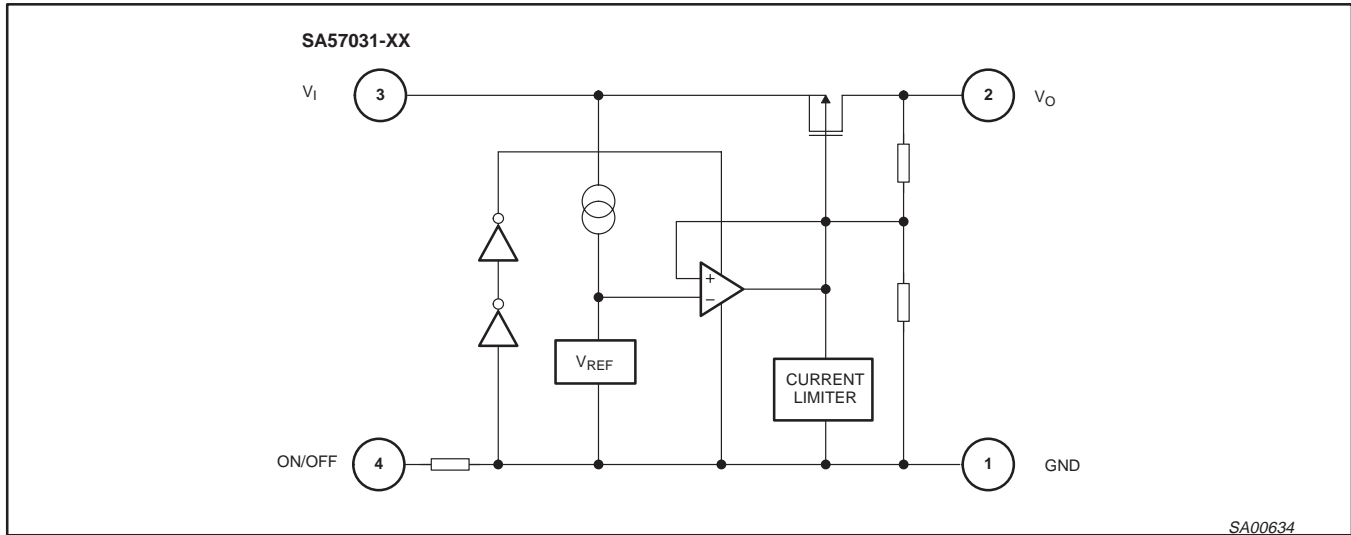


Figure 16. Block diagram (bottom view).

SA00634

Micropower 150 mA, low-noise, low dropout linear regulator with on/off

SA57031-XX

APPLICATION INFORMATION

The following points have to be kept in mind for good performance while using these devices.

Input Capacitor

An input capacitor of 2.2 μF is required between the SA57031 input pin and the circuit ground. This capacitor must be located as close as possible to the V_I or GND pin (not more than 1 cm away from the pin) and returned to a clean analog ground. Any good quality ceramic, tantalum, or film capacitor will work.

Output Capacitor

Phase compensation is used for securing stable operation even if the load current varies. For this reason, an output capacitor with

good frequency characteristics is needed. Set it as close to the circuit as possible and make the wiring as short as possible. The value of the output capacitance has to be at least 2.2 μF and has to have B-type temperature characteristics.

ON/OFF (Chip Enable) Pin

The ON/OFF pin must be actively terminated, not floating. If the function is not needed, the pin should be tied to V_I to permanently enable the device.

Line Impedance of V_I and GND

The V_I and GND lines should be sufficiently wide to minimize impedance. If the impedance of these lines is high, there is a chance to pick up noise or malfunction.

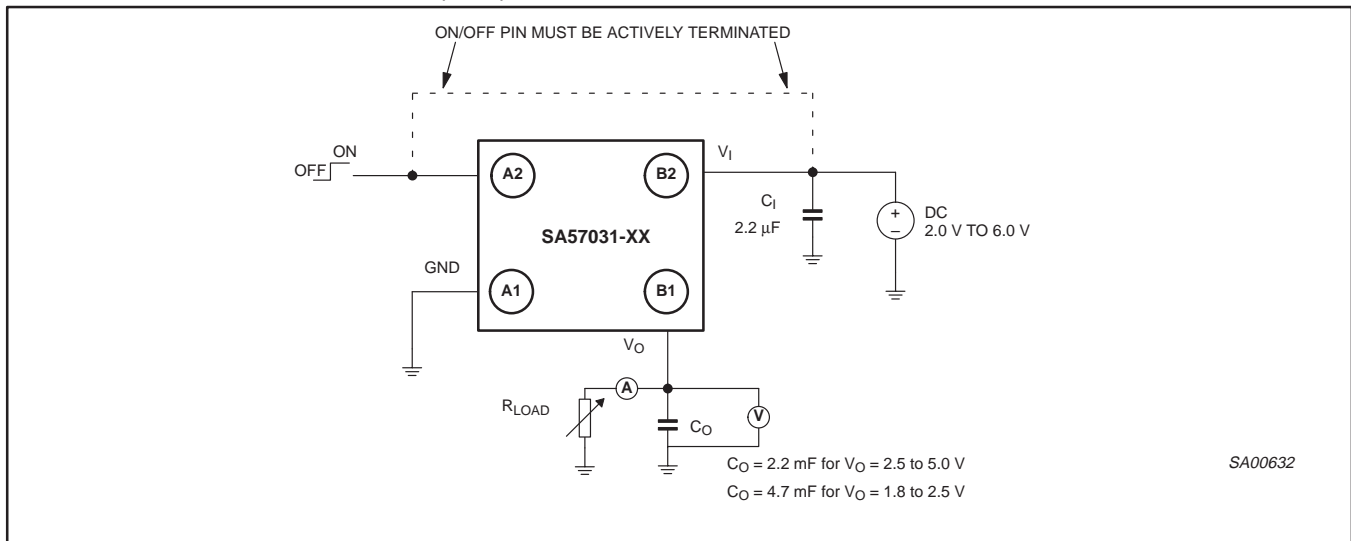


Figure 17. Typical application circuit.

Micropower 150 mA, low-noise, low dropout linear regulator with on/off

SA57031-XX

PACKING METHOD

The SA57031-XX is packed in reels, as shown in Figure 18.

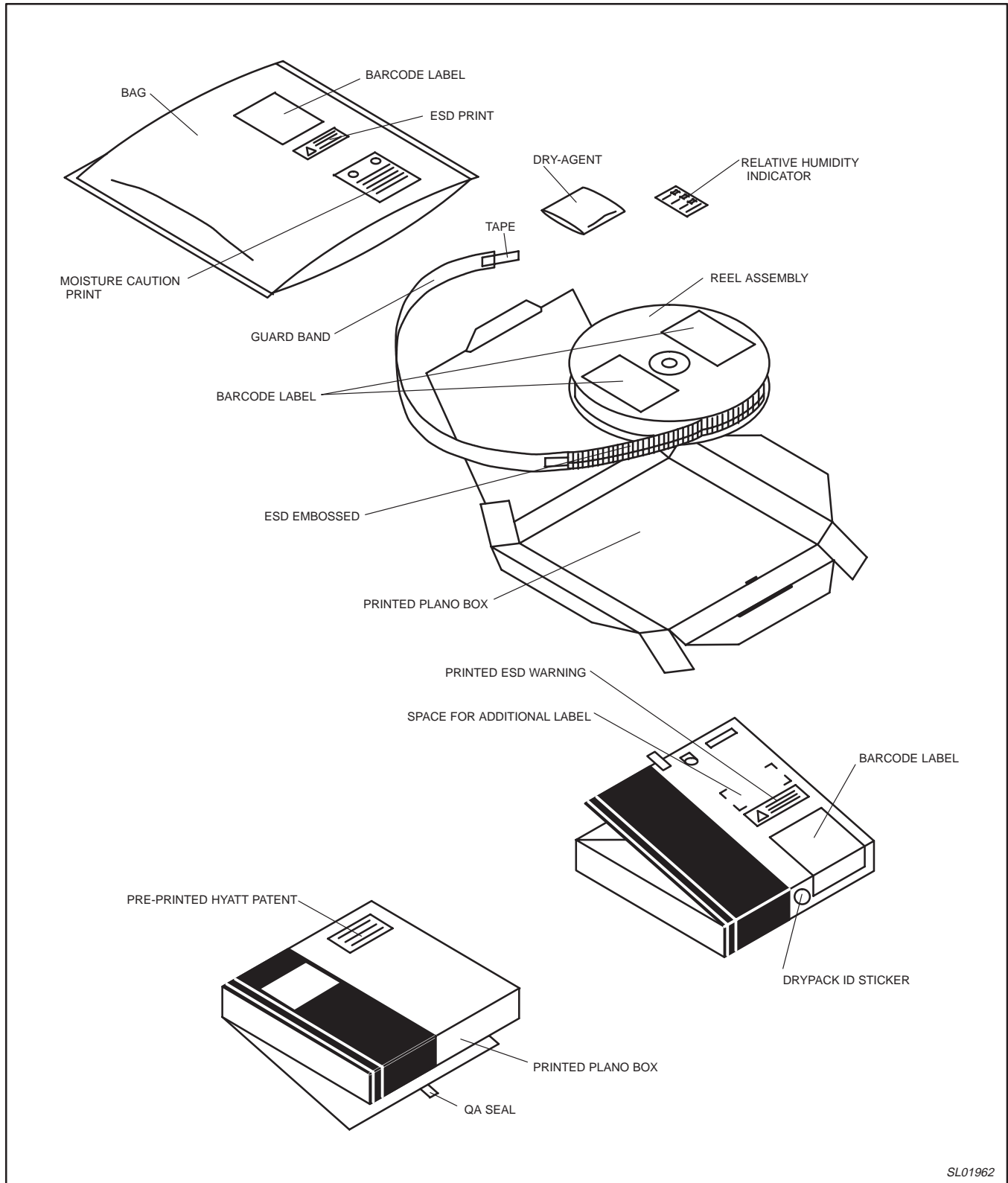
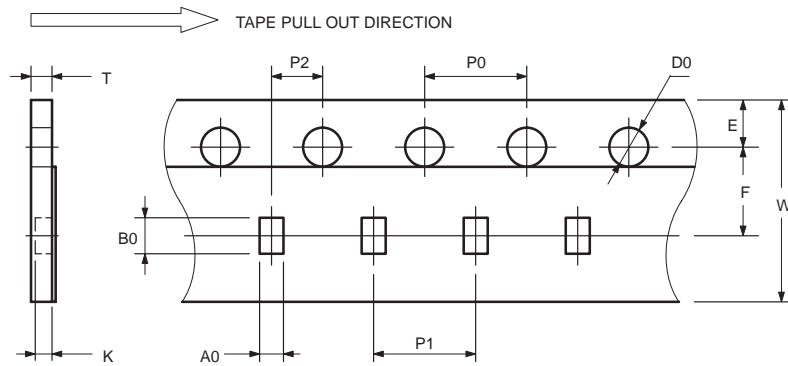


Figure 18. Tape and reel packing method

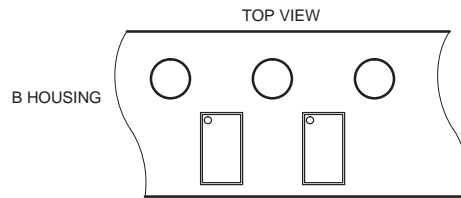
Micropower 150 mA, low-noise, low dropout linear regulator with on/off

SA57031-XX



NOTES:

1. IC pull out direction TAPE PULL OUT DIRECTION



2. Carrier tape material:
paper type, with ESD protection.
3. The length of the leader:
More than 400 mm which include 40 holes or more without any products.
IT's must have the top cover tape.
4. The length of trailer:
More than 40 mm which include without any products.
IT's must have the top copy tape.
The end of trailer must be detached from reel.

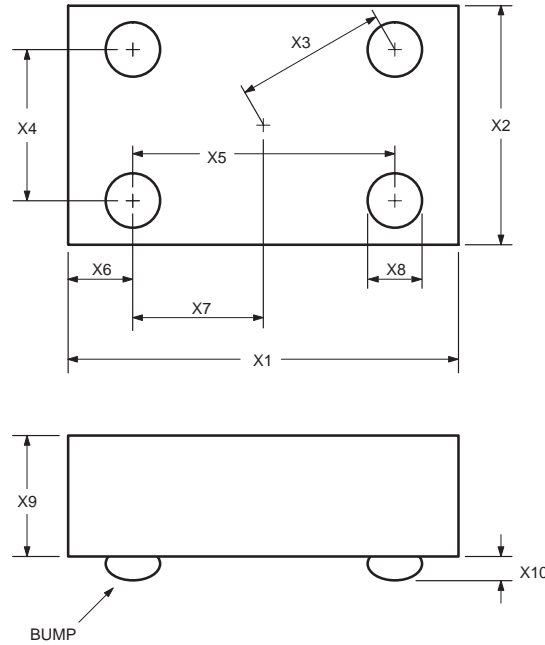
UNIT	A0	B0	W	F	E	P1	P2	P0	∅D0	T	K
mm	0.90	1.40	8.0	3.5	1.75	4.0	2.0	4.0	1.55	0.60	0.58
	±0.03	±0.03	±0.1	±0.05	±0.05	±0.05	±0.05	±0.1	±0.03	±0.03	±0.03

SL02002

Micropower 150 mA, low-noise, low dropout linear regulator with on/off

SA57031-XX

WL-CSP4: wafer level, chip-scale package; 4 bumps



DIMENSIONS (mm are the original dimensions)

UNIT	X1	X2	X3	X4	X5	X6	X7	X8	X9	X10
mm	1.32 1.26	0.82 0.76	0.5	0.5	0.866	0.212	0.433	0.23 0.13	0.42 0.38	0.10 0.06

SL02098

Micropower 150 mA, low-noise, low dropout linear regulator with on/off

SA57031-XX

REVISION HISTORY

Rev	Date	Description
_2	20030623	Product data (9397 750 11664); ECN 853-2361 30063 dated 23 June 2003. Supersedes SA57031-XX_1 (9397 750 11001) of 2003 Feb 24. Modifications: ● WL-CSP4 package outline dimensional drawing modified.
_1	20030224	Product data (9397 750 11001); ECN 853-2361 28634 dated 2002 Jul 18

Data sheet status

Level	Data sheet status ^[1]	Product status ^{[2] [3]}	Definitions
I	Objective data	Development	This data sheet contains data from the objective specification for product development. Philips Semiconductors reserves the right to change the specification in any manner without notice.
II	Preliminary data	Qualification	This data sheet contains data from the preliminary specification. Supplementary data will be published at a later date. Philips Semiconductors reserves the right to change the specification without notice, in order to improve the design and supply the best possible product.
III	Product data	Production	This data sheet contains data from the product specification. Philips Semiconductors reserves the right to make changes at any time in order to improve the design, manufacturing and supply. Relevant changes will be communicated via a Customer Product/Process Change Notification (CPCN).

[1] Please consult the most recently issued data sheet before initiating or completing a design.

[2] The product status of the device(s) described in this data sheet may have changed since this data sheet was published. The latest information is available on the Internet at URL <http://www.semiconductors.philips.com>.

[3] For data sheets describing multiple type numbers, the highest-level product status determines the data sheet status.

Definitions

Short-form specification — The data in a short-form specification is extracted from a full data sheet with the same type number and title. For detailed information see the relevant data sheet or data handbook.

Limiting values definition — Limiting values given are in accordance with the Absolute Maximum Rating System (IEC 60134). Stress above one or more of the limiting values may cause permanent damage to the device. These are stress ratings only and operation of the device at these or at any other conditions above those given in the Characteristics sections of the specification is not implied. Exposure to limiting values for extended periods may affect device reliability.

Application information — Applications that are described herein for any of these products are for illustrative purposes only. Philips Semiconductors make no representation or warranty that such applications will be suitable for the specified use without further testing or modification.

Disclaimers

Life support — These products are not designed for use in life support appliances, devices, or systems where malfunction of these products can reasonably be expected to result in personal injury. Philips Semiconductors customers using or selling these products for use in such applications do so at their own risk and agree to fully indemnify Philips Semiconductors for any damages resulting from such application.

Right to make changes — Philips Semiconductors reserves the right to make changes in the products—including circuits, standard cells, and/or software—described or contained herein in order to improve design and/or performance. When the product is in full production (status 'Production'), relevant changes will be communicated via a Customer Product/Process Change Notification (CPCN). Philips Semiconductors assumes no responsibility or liability for the use of any of these products, conveys no license or title under any patent, copyright, or mask work right to these products, and makes no representations or warranties that these products are free from patent, copyright, or mask work right infringement, unless otherwise specified.

Contact information

For additional information please visit
<http://www.semiconductors.philips.com>. Fax: +31 40 27 24825

© Koninklijke Philips Electronics N.V. 2003
 All rights reserved. Printed in U.S.A.

Date of release: 06-03

For sales offices addresses send e-mail to:
sales.addresses@www.semiconductors.philips.com

Document order number: 9397 750 11664

Let's make things better.