

DATA SHEET

For a complete data sheet, please also download:

- The IC04 LOCMOS HE4000B Logic Family Specifications HEF, HEC
- The IC04 LOCMOS HE4000B Logic Package Outlines/Information HEF, HEC

HEF4104B

MSI

Quadruple low to high voltage translator with 3-state outputs

Product specification
File under Integrated Circuits, IC04

January 1995

Quadruple low to high voltage translator with 3-state outputs

HEF4104B MSI

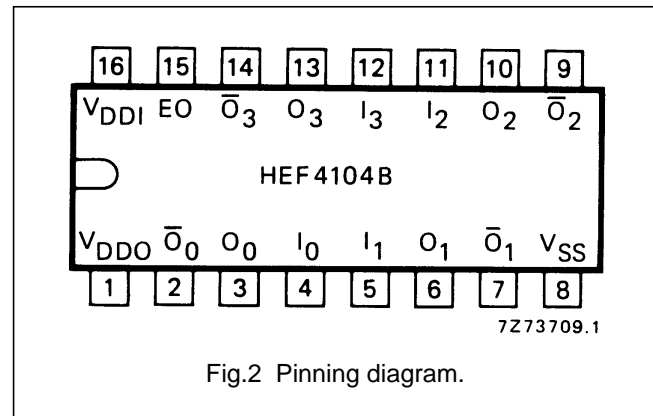
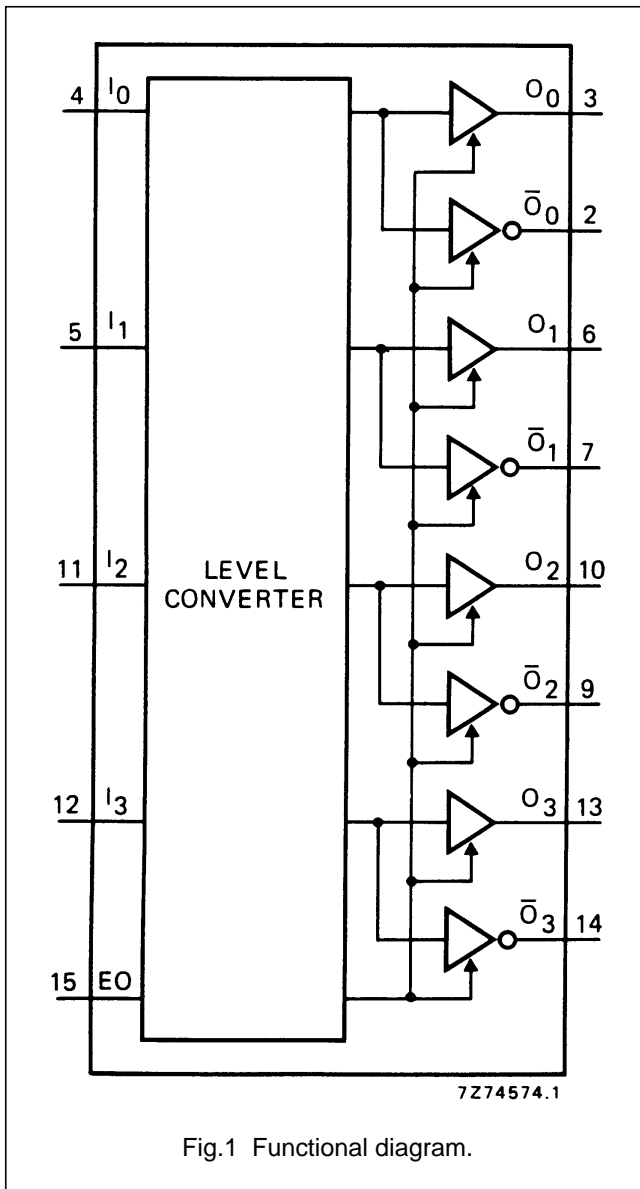
DESCRIPTION

The HEF4104B quadruple low voltage to high voltage translator with 3-state outputs provides the capability of interfacing low voltage circuits to high voltage circuits, such as low voltage LOCMOS and TTL to high voltage LOCMOS. It has four data inputs (I_0 to I_3), an active HIGH output enable input (EO), four data outputs (O_0 to O_3) and their complements (\bar{O}_0 to \bar{O}_3).

With EO HIGH, O_0 to O_3 and \bar{O}_0 to \bar{O}_3 are in the low impedance ON-state, either HIGH or LOW as determined by I_0 to I_3 ; with EO LOW, O_0 to O_3 and \bar{O}_0 to \bar{O}_3 are in the high impedance OFF-state.

The device uses a common negative supply (V_{SS}) and separate positive supplies for inputs (V_{DDI}) and outputs (V_{DDO}). V_{DDI} must always be less than or equal to V_{DDO} , even during power turn-on and turn-off. For the permissible operating range of V_{DDI} and V_{DDO} see graph Fig.4.

Each input protection circuit is terminated between V_{DDO} and V_{SS} . This allows the input signals to be driven from any potential between V_{DDO} and V_{SS} , without regard to current limiting. When driving from potentials greater than V_{DDO} or less than V_{SS} , the current at each input must be limited to 10 mA.



- HEF4104BP(N): 16-lead DIL; plastic (SOT38-1)
- HEF4104BD(F): 16-lead DIL; ceramic (cerdip) (SOT74)
- HEF4104BT(D): 16-lead SO; plastic (SOT109-1)
- (): Package Designator North America

PINNING

- I_0 to I_3 data inputs
- EO output enable input
- O_0 to O_3 data outputs
- \bar{O}_0 to \bar{O}_3 complementary data outputs

FAMILY DATA, I_{DD} LIMITS category MSI

See Family Specifications

Quadruple low to high voltage translator
with 3-state outputs

HEF4104B
MSI

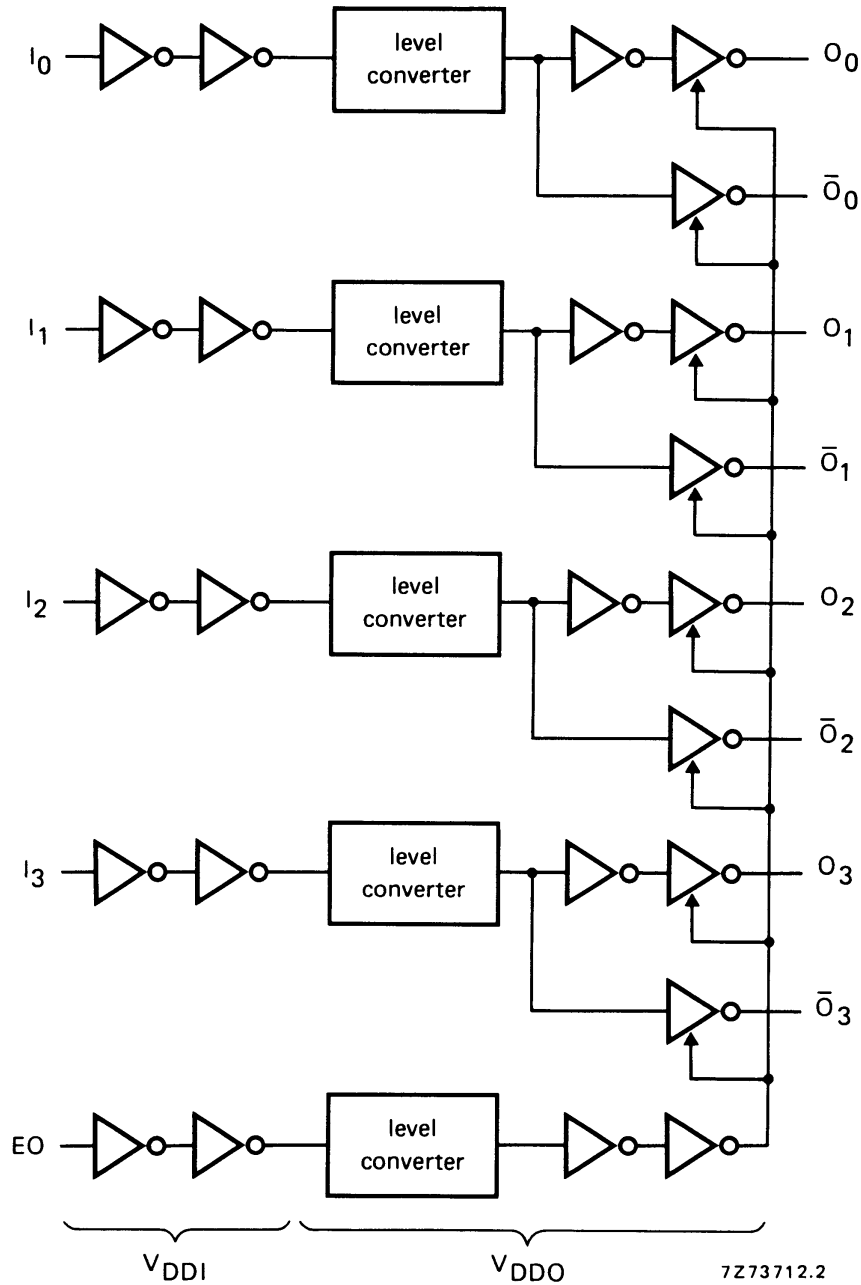


Fig.3 Logic diagram.

Quadruple low to high voltage translator with 3-state outputs

HEF4104B MSI

AC CHARACTERISTICS

$V_{SS} = 0$ V; $T_{amb} = 25$ °C; $C_L = 50$ pF; input transition times ≤ 20 ns

	V_{DD} V	SYMBOL	TYP.	MAX.		TYPICAL EXTRAPOLATION FORMULA		
Propagation delays $I_n \rightarrow O_n, \bar{O}_n$ HIGH to LOW	5	t_{PHL}	170	340	ns	143 ns + (0,55 ns/pF) C_L		
	10		80	160	ns	69 ns + (0,23 ns/pF) C_L		
	15		65	135	ns	57 ns + (0,16 ns/pF) C_L		
	LOW to HIGH	5	t_{PLH}	170	340	ns	143 ns + (0,55 ns/pF) C_L	
		10		80	160	ns	69 ns + (0,23 ns/pF) C_L	
		15		70	140	ns	62 ns + (0,16 ns/pF) C_L	
Output transition times HIGH to LOW	5	t_{THL}	60	120	ns	10 ns + (1,0 ns/pF) C_L		
	10		30	60	ns	9 ns + (0,42 ns/pF) C_L		
	15		20	40	ns	6 ns + (0,28 ns/pF) C_L		
	LOW to HIGH	5	t_{TLH}	60	120	ns	10 ns + (1,0 ns/pF) C_L	
		10		30	60	ns	9 ns + (0,42 ns/pF) C_L	
		15		20	40	ns	6 ns + (0,28 ns/pF) C_L	
3-state propagation delays Output disable times $EO \rightarrow O_n, \bar{O}_n$ HIGH	5	t_{PHZ}	70	135	ns			
	10		55	110	ns			
	15		60	120	ns			
	LOW	5	t_{PLZ}	70	135	ns		
		10		55	105	ns		
		15		55	110	ns		
	Output enable times $EO \rightarrow O_n, \bar{O}_n$ HIGH	5	t_{PZH}	195	395	ns		
		10		95	195	ns		
		15		80	165	ns		
		LOW	5	t_{PZL}	195	395	ns	
			10		95	190	ns	
			15		80	160	ns	

	V_{DD} V	TYPICAL FORMULA FOR P (μ W)	
Dynamic power dissipation per package (P)	5	$3\,000 f_i + \sum (f_o C_L) \times V_{DD}^2$	where f_i = input freq. (MHz) f_o = output freq. (MHz) C_L = load capacitance (pF) $\sum (f_o C_L)$ = sum of outputs V_{DD} = supply voltage (V)
	10	$12\,200 f_i + \sum (f_o C_L) \times V_{DD}^2$	
	15	$31\,000 f_i + \sum (f_o C_L) \times V_{DD}^2$	

Quadruple low to high voltage translator
with 3-state outputs

HEF4104B
MSI

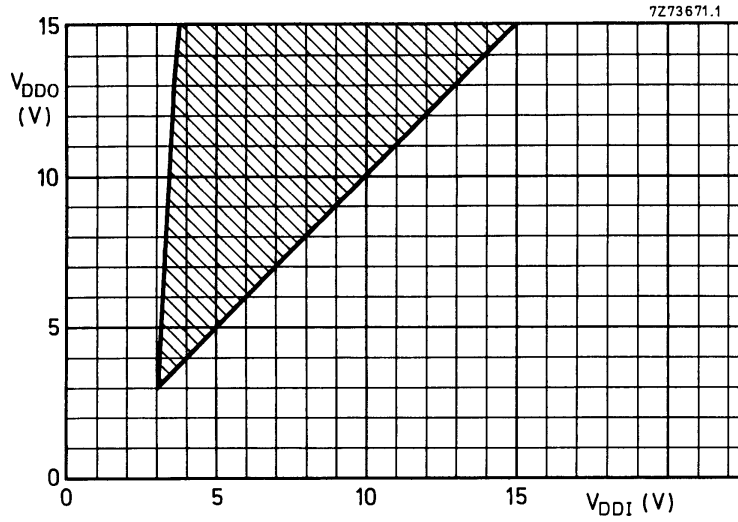


Fig.4 V_{DDO} as a function of V_{DDI} ; the shaded area shows the permissible operating range.