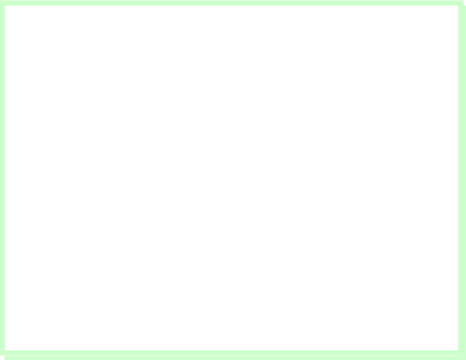


Token Ring Transmitter Module

EPT7090

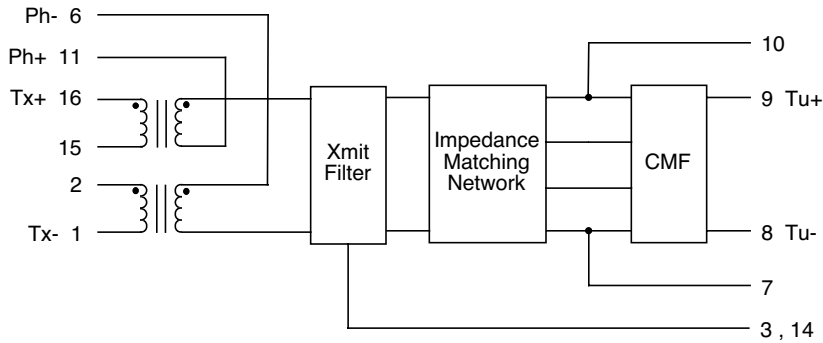


- Optimized for Texas Instrument's TI38054 •
- Supports STP Transmission •
- Complies with or exceeds IEEE 802.5 Requirements •

Electrical Parameters @ 25° C

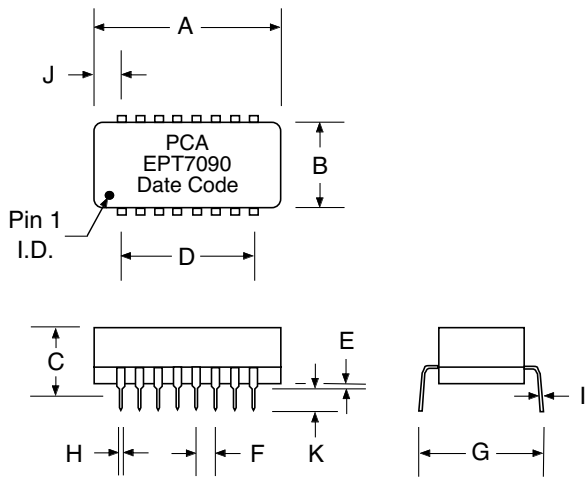
Impedance (Ω)	Insertion Loss								Return Loss (dB Min.)			Common Mode Rejection (dB Min.)						
	(dB Max.)				(dB Min.)				1-6 MHz	6-17 MHz	17-25 MHz	100 KHz	1 MHz	5 MHz	20 MHz	70 MHz	100 MHz	200 MHz
Chip Side 600	1-4 MHz	8 MHz	16 MHz	24 MHz	32 MHz	36 MHz	44 MHz	80 MHz	1-6 MHz	6-17 MHz	17-25 MHz	100 KHz	1 MHz	5 MHz	20 MHz	70 MHz	100 MHz	200 MHz
Cable Side 150	-5	-8	-1	-1.7	-7	-25	-30	-25	-14	-12	-8	-65	-45	-30	-30	-15	-15	-20

Schematic



Pins 4, 5, 12, 13 are Not Connected

Package



Dimensions

Dim.	(Inches)			(Millimeters)		
	Min.	Max.	Nom.	Min.	Max.	Nom.
A	.980	1.000		24.89	25.40	
B	.440	.470		11.18	11.94	
C	.340	.360		8.64	9.14	
D	.700	Typ.		17.78	Typ.	
E	.020	Typ.		.508	Typ.	
F	.100	Typ.		2.54	Typ.	
G	.500	.525		12.70	13.34	
H	.018	.024		.457	.609	
I	.010	Typ.		.254	Typ.	
J	.150	Typ.		3.81	Typ.	
K	.120	.150		3.05	3.81	