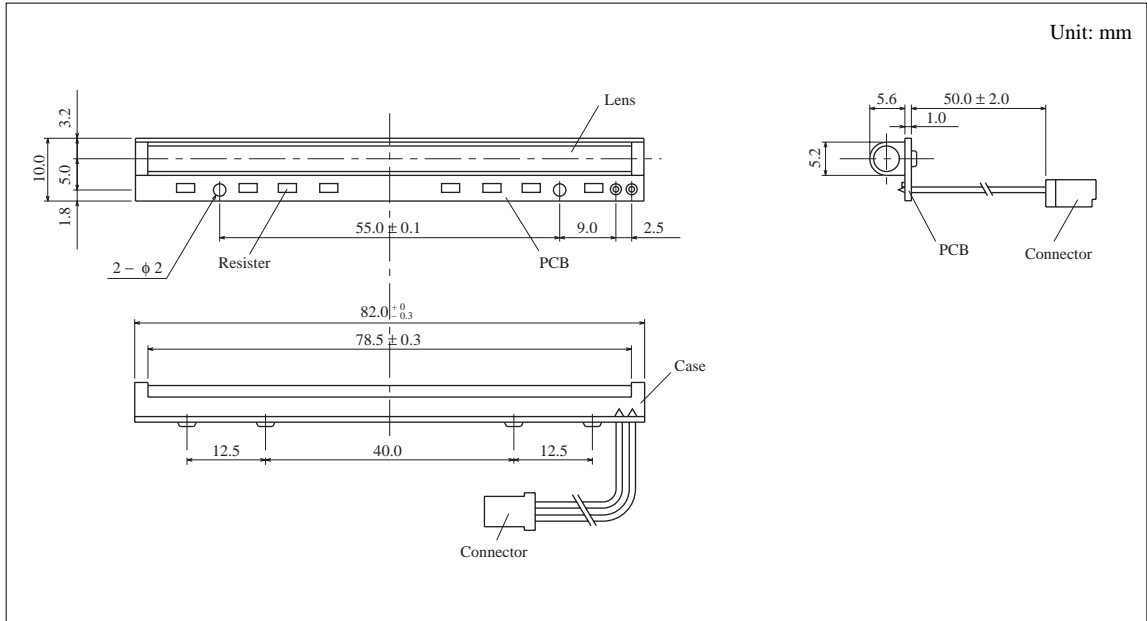


# LED LINE LIGHT SOURCE

## B8 Size LN322114ALUN

Global Parts No. LNR218701



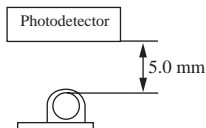
### ■ Absolute Maximum Ratings ( $T_a = 25^\circ\text{C}$ )

Item	Symbol	Rating	Unit
Supply Voltage	$V_{CC}$	12.6	V
Reverse Voltage	$V_R$	12.0	V
Power Consumption	P	1.75	W
Operating Ambient Temperature	$T_{opr}$	0 ~ + 40	$^\circ\text{C}$
Storage Temperature	$T_{stg}$	- 20 ~ + 60	$^\circ\text{C}$

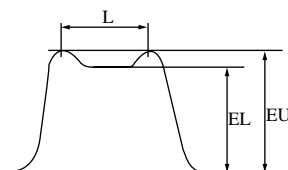
### ■ Electro-Optical Characteristics ( $T_a = 25^\circ\text{C}$ )

Item	Symbol	Condition	min	typ	Max	Unit
Supply Voltage	$V_{CC}$		11.4	12.0	12.6	V
Total Forward Current	$I_{Ft}$	$V_{CC} = 12.0\text{ V}$		110		mA
Effective Illumination Length	L	$V_{CC} = 12.0\text{ V}$		62		mm
Radiant Illuminance on Manuscription	E	$V_{CC} = 12.0\text{ V}$	1500			$\mu\text{ w/cm}^2$
Illuminance Distribution	$\Delta\text{EB}$	$V_{CC} = 12.0\text{ V}$		125		%
Range of Collecting and Spreading Light	$\Delta\text{L}$	$V_{CC} = 12.0\text{ V}$		0.8		mm
Peak Emission Wavelength	$\lambda\text{ P}$	1chip IF = 20 mA		660		nm
Spectral Band Width	$\Delta\lambda$	1chip IF = 20 mA		20		nm

Radiant Illuminance on Manuscription



Illuminance Distribution



$$\Delta\text{EH} = \text{EU}/\text{EL} \times 100\%$$

Range Collecting and Spreading Light

