



DATA SHEET

O K I L A S E R P R O D U C T S

OL5207L-5-A10 **Service Channel DFB Laser Module** **(1510 nm, 5 mW)**

November 1999



Oki Semiconductor



Oki Semiconductor

OL5207L-5-A10 DFB Laser Module

Service Channel Laser Module for Single-Mode Fiber

INTRODUCTION

Oki Semiconductor's OL5207L-5-A10 dual in-line package service channel laser diode module features a cooled 1510-nm DFB laser module coupled to a single-mode fiber. The OL5207L-5-A10 has a built-in isolator, thermistor, and thermoelectric cooler and is equipped with a monitor photodiode.

FEATURES

- 1510-nm DFB Laser
- Single-mode fiber
- Built-in thermoelectric cooler
- 5-mW fiber output power
- Includes photodiode for power monitoring
- 14-pin Dil package

APPLICATIONS

- DWDM/WDM systems service channel
- Cross connect systems
- Service channel
- Telemetry systems
- Fiber-optic test instrumentation

ELECTRICAL CHARACTERISTICS

Absolute Maximum Ratings (ambient temperature Ta=25°C unless otherwise noted)

Parameter	Symbol	Ratings	Units
Fiber Output Power	Pf	8	mW
Laser diode forward current	I _{F(LD)}	200	mA
Thermoelectric cooler voltage	V _{TEC}	3.0	V
Thermoelectric cooler current	I _{TEC}	1.5	A
Operating Temperature	T _{opr}	-5 to +70	°C
Storage Temperature	T _{stg}	-40 to +85	°C

Exceeding these maximum ratings could cause immediate damage or lead to permanent deterioration of the device.

Optical and Electrical Characteristics (Ta=25°C)

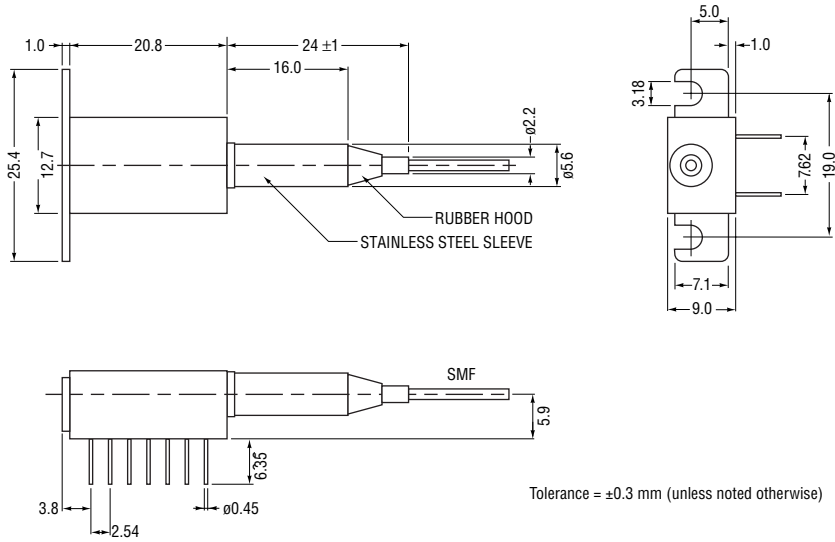
Parameter	Symbol	Test Conditions	Min.	Typ.	Max.	Units
Fiber output power	Pf	I _{F(LD)} =90 mA	5	-	-	mW
Threshold current	I _{th}	-	-	-	20	mA
Peak wavelength	λ _p	Pf= 5mW	1507	-	1513	nm
Line width	Δλ	Pf= 5mW, CW	-	-	30	MHz
Thermistor resistance	R _{th}	-	9.5	-	10.5	KΩ

Fiber Pigtail Specifications

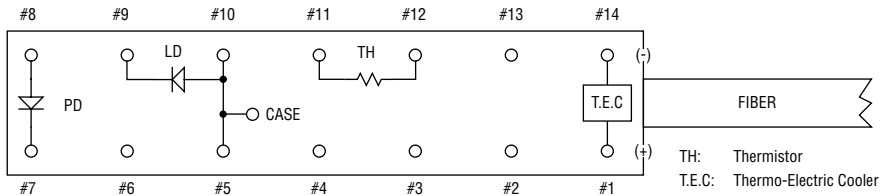
Parameter	Specifications	Units
Type	SM	---
Mode field diameter	9 +/- 1	μm
Cladding diameter	125 +/- 2	μm
Jacket diameter	900	μm
Length	1 (minimum)	m
Connector	FC/PC	-

PACKAGE DIMENSIONS

(Units: mm)



TERMINAL CONNECTION (BOTTOM VIEW)



Pin Configuration

Pin No.	Description	Pin No.	Description
01	Thermo Electric Cooler Anode (+)	08	PD Anode
02	NC	09	LD Cathode
03	NC	10	LD Anode, Case Ground, and internal connect to pin 5
04	NC	11	Thermistor
05	LD Anode, Case Ground, and internal connect to pin 10	12	Thermistor
06	NC	13	NC
07	PD Cathode	14	Thermo Electric Cooler Cathode (-)

Notes:

The information contained herein can change without notice owing to product and/or technical improvements.

Please make sure before using the product that the information you are referring to is up-to-date.

The outline of action and examples of application circuits described herein have been chosen as an explanation of the standard action and performance of the product. When you actually plan to use the product, please ensure that the outside conditions are reflected in the actual circuit and assembly designs.

Oki assumes no responsibility or liability whatsoever for any failure or unusual or unexpected operation resulting from misuse, neglect, improper installation, repair, alteration or accident, improper handling, or unusual physical or electrical stress including, but not limited to, exposure to parameters outside the specified maximum ratings or operation outside the specified operating range.

Neither indemnity against nor license of a third party's industrial and intellectual property right, etc. is granted by us in connection with the use of product and/or the information and drawings contained herein. No responsibility is assumed by us for any infringement of a third party's right which may result from the use thereof.

When designing your product, please use our product below the specified maximum ratings and within the specified operating ranges, including but not limited to operating voltage, power dissipation, and operating temperature.

The products listed in this document are intended for use in general electronics equipment for commercial applications (e.g., office automation, communication equipment, measurement equipment, consumer electronics, etc.). These products are not authorized for use in any system or application that requires special or enhanced quality and reliability characteristics nor in any system or application where the failure of such system or application may result in the loss or damage of property or death or injury to humans. Such applications include, but are not limited to: traffic control, automotive, safety, aerospace, nuclear power control, and medical, including life support and maintenance.

Certain parts in this document may need governmental approval before they can be exported to certain countries. The purchaser assumes the responsibility of determining the legality of export of these parts and will take appropriate and necessary steps, at their own expense, for export to another country.

Copyright 1999 Oki Semiconductor

Oki Semiconductor reserves the right to make changes in specifications at anytime and without notice. This information furnished by Oki Semiconductor in this publication is believed to be accurate and reliable. However, no responsibility is assumed by Oki Semiconductor for its use; nor for any infringements of patents or other rights of third parties resulting from its use. No license is granted under any patents or patent rights of Oki.



Oki REGIONAL SALES OFFICES

Northwest Area

785 N. Mary Avenue
Sunnyvale, CA 94086
Tel: 408/720-8940
Fax: 408/720-8965

North Central Area

300 Park Blvd.
Suite 365
Itasca, IL 60143
Tel: 630/250-1313
Fax: 630/250-1414

Northeast Area

138 River Road
Shattuck Office Center
Andover, MA 01810
Tel: 978/688-8687
Fax: 978/688-8896

Southwest Area

2302 Martin Street
Suite 250
Irvine, CA 92715
Tel: 979/752-1843
Fax: 979/752-2423

Southeast Area

1590 Adamson Parkway
Suite 220
Morrow, GA 30260
Tel: 770/960-9660
Fax: 770/960-9682

Oki Web Site:

<http://www.okisemi.com>

For Oki Literature:

*Call toll free 1-800-OKI-6388
(6 a.m. to 5 p.m. Pacific Time)*

Oki Stock No: 320168-001



Oki Semiconductor

Corporate Headquarters

785 N. Mary Avenue
Sunnyvale, CA 94086-2909
Tel: 408/720-1900
Fax: 408/720-1918