

LH0070 Series Precision BCD Buffered Reference LH0071 Series Precision Binary Buffered Reference

General Description

The LH0070 and LH0071 are precision, three terminal, voltage references consisting of a temperature compensated zener diode driven by a current regulator and a buffer amplifier. The devices provide an accurate reference that is virtually independent of input voltage, load current, temperature and time. The LH0070 has a 10.000V nominal output to provide equal step sizes in BCD applications. The LH0071 has a 10.240V nominal output to provide equal step sizes in binary applications.

The output voltage is established by trimming ultra-stable, low temperature drift, thin film resistors under actual operating circuit conditions. The devices are shortcircuit proof in both the current sourcing and sinking directions.

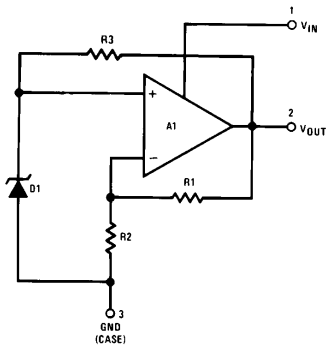
The LH0070 and LH0071 series combine excellent long term stability, ease of application, and low cost, making

them ideal choices as reference voltages in precision D to A and A to D systems.

Features

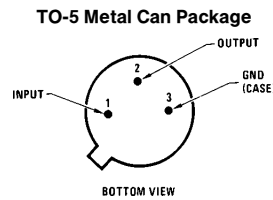
- Accuracy output voltage
 - LH0070 10V ± 0.02%
 - LH0071 10.24V ± 0.02%
- Single supply operation 11.4V to 40V
- Low output impedance 0.2Ω
- Excellent line regulation 0.1 mV/V
- Low zener noise 20 μVp-p
- 3-lead TO-5 (pin compatible with the LM109)
- Short circuit proof
- Low standby current 3 mA

Equivalent Schematic



TL/H/5550-1

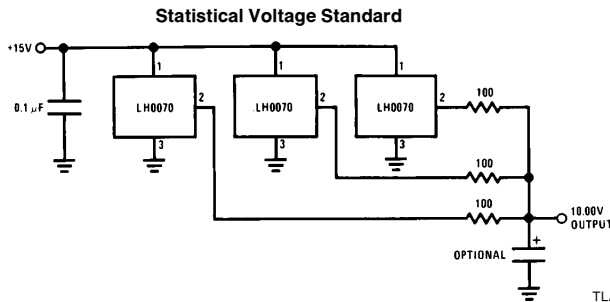
Connection Diagram



TL/H/5550-7

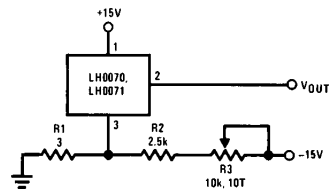
Order Number LH0070-0H, LH0071-0H, LH0070-1H,
LH0071-1H, LH0070-2H or LH0071-2H
See NS Package Number H03B

Typical Applications



TL/H/5550-8

*Output Voltage Fine Adjustment



TL/H/5550-9

***Note:** The output of the LH0070 and LH0071 may be adjusted to a precise voltage by using the above circuit since the supply current of the devices is relatively small and constant with temperature and input voltage. For the circuit shown, supply sensitivities are degraded slightly to 0.01%/V change in V_{OUT} for changes in V_{IN} and V^- .

An additional temperature drift of 0.0001%/°C is added due to the variation of supply current with temperature of the LH0070 and LH0071. Sensitivity to the value of R1, R2 and R3 is less than 0.001%/°.

Absolute Maximum Ratings

If Military/Aerospace specified devices are required, please contact the National Semiconductor Sales Office/Distributors for availability and specifications. (Note 4)

Supply Voltage 40V
Power Dissipation (See Curve) 600 mW

Short Circuit Duration Continuous
Output Current ± 20 mA
Operating Temperature Range -55°C to $+125^{\circ}\text{C}$
Storage Temperature Range -65°C to $\pm 150^{\circ}\text{C}$
Lead Temp. (Soldering, 10 seconds) 300°C

Electrical Characteristics (Note 1)

Parameter	Conditions	Min	Typ	Max	Units
Output Voltage LH0070 LH0071	$T_A = 25^{\circ}\text{C}$		10.000 10.24		V V
Output Accuracy -0, -1 -2	$T_A = 25^{\circ}\text{C}$		± 0.03 ± 0.02	± 0.1 ± 0.05	% %
Output Accuracy -0, -1 -2	$T_A = -55^{\circ}\text{C}, 125^{\circ}\text{C}$			± 0.3 ± 0.2	% %
Output Voltage Change With Temperature -0 -1 -2	(Note 2)		± 0.02 ± 0.01	± 0.2 ± 0.1 ± 0.04	% % %
Line Regulation -0, -1 -2	$13\text{V} \leq V_{IN} \leq 33\text{V}, T_C = 25^{\circ}\text{C}$		0.02 0.01	0.1 0.03	% %
Input Voltage Range	$R_L = 50\text{ k}\Omega$	11.4		40	V
Load Regulation	$0\text{ mA} \leq I_{OUT} \leq 5\text{ mA}$		0.01	0.03	%
Quiescent Current	$13\text{V} \leq V_{IN} \leq 33\text{V}, I_{OUT} = 0\text{ mA}$	1	3	5	mA
Change In Quiescent Current	$\Delta V_{IN} = 20\text{V}$ From 23V To 33V		0.75	1.5	mA
Output Noise Voltage	$BW = 0.1\text{ Hz To } 10\text{ Hz}, T_A = 25^{\circ}\text{C}$		20		$\mu\text{Vp-p}$
Ripple Rejection	$f = 120\text{ Hz}$		0.01		$\%/Vp-p$
Output Resistance			0.2	0.6	Ω
Long Term Stability -0, -1 -2	$T_A = 25^{\circ}\text{C}$ (Note 3)			± 0.2 ± 0.05	%/yr. %/yr.
Thermal Resistance θ_{ja} (Junction to Ambient) θ_{jc} (Junction to Case)	$T_j = 150^{\circ}\text{C}$		200 100		$^{\circ}\text{C/W}$ $^{\circ}\text{C/W}$

Note 1: Unless otherwise specified, these specifications apply for $V_{IN} = 15.0\text{V}$, $R_L = 10\text{ k}\Omega$, and over the temperature range of $-55^{\circ}\text{C} \leq T_A \leq +125^{\circ}\text{C}$.

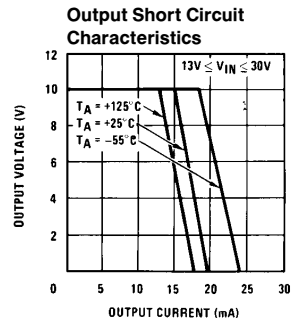
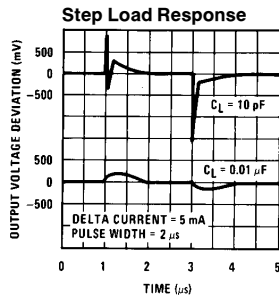
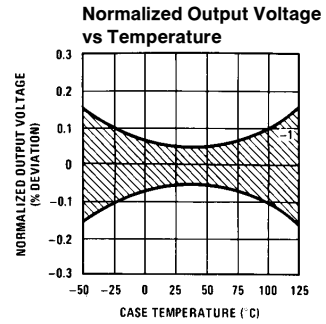
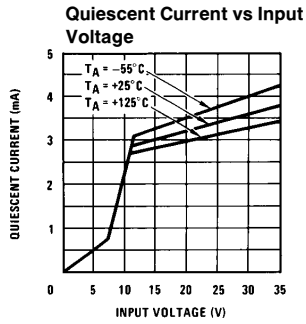
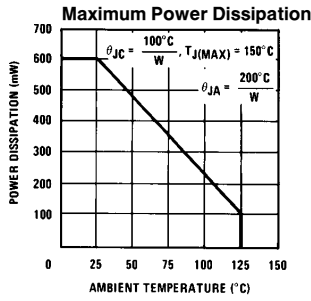
Note 2: This specification is the difference in output voltage measured at $T_A = 85^{\circ}\text{C}$ and $T_A = 25^{\circ}\text{C}$ or $T_A = 25^{\circ}\text{C}$ and $T_A = -25^{\circ}\text{C}$ with readings taken after test chamber and device-under-test stabilization at temperature using a suitable precision voltmeter.

Note 3: This parameter is guaranteed by design and not tested.

Note 4: Refer to the following RETS drawings for military specifications:

RETS0070-0H for LH0070-0H	RETS0071-0H for LH0071-0H
RETS0070-1H for LH0070-1H	RETS0071-1H for LH0071-1H
RETS0070-2H for LH0070-2H	RETS0071-2H for LH0071-2H

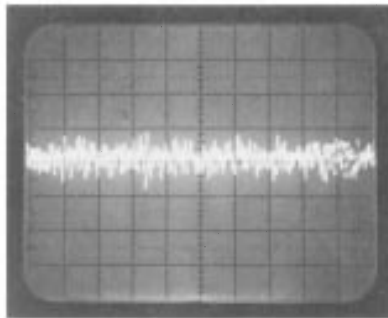
Typical Performance Characteristics



TL/H/5550-2

Noise Voltage

VERT: $10 \mu\text{V}$ / DIV.
HORIZ: 5 SEC / DIV.

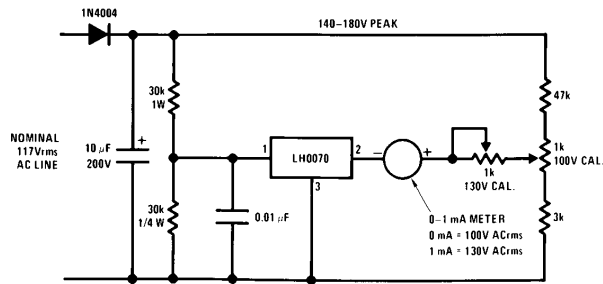


BW = 0.1 Hz TO 10 Hz

TL/H/5550-6

Typical Applications (Continued)

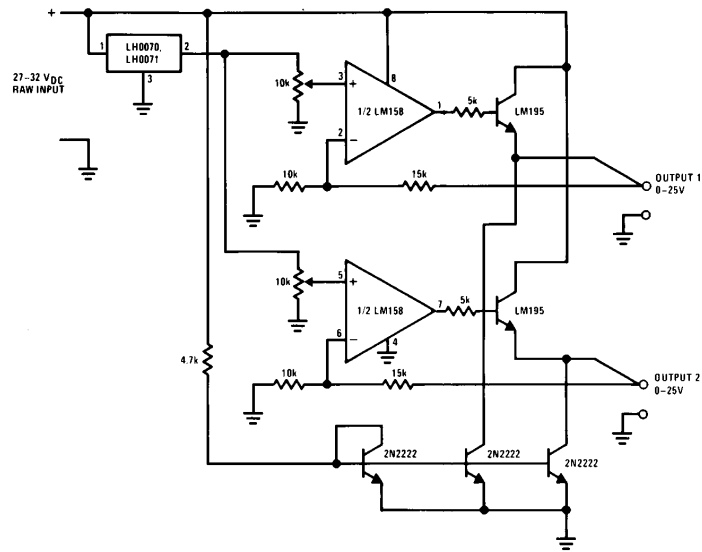
Expanded Scale AC Voltmeter



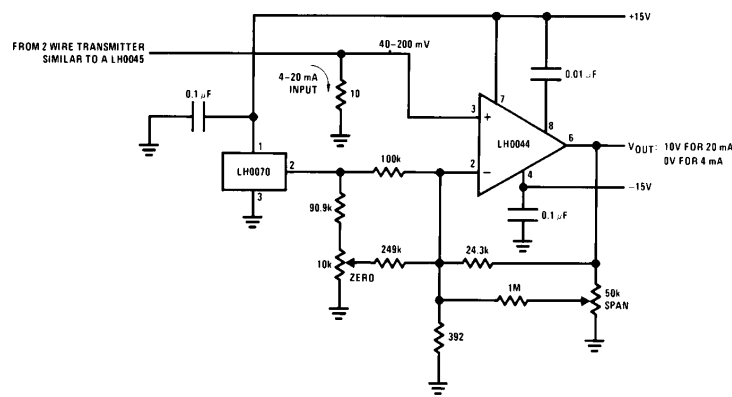
TL/H/5550-4

Typical Applications (Continued)

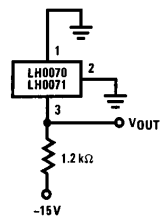
Dual Output Bench Power Supply



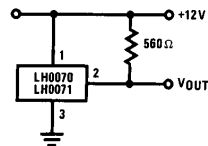
Precision Process Control Interface



Negative 10V Reference



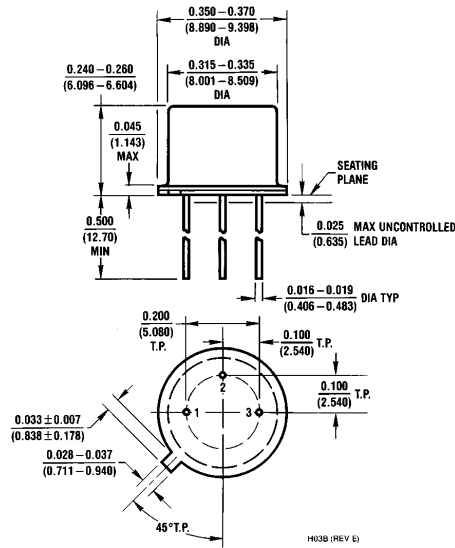
Boosted Reference For Low Input Voltages



TL/H/5550-5



Physical Dimensions inches (millimeters)



Metal Can Package (H)
Order Number LH0070-0H, LH0071-0H, LH0070-1H,
LH0071-1H, LH0070-2H or LH0071-2H
NS Package Number H03B

LIFE SUPPORT POLICY

NATIONAL'S PRODUCTS ARE NOT AUTHORIZED FOR USE AS CRITICAL COMPONENTS IN LIFE SUPPORT DEVICES OR SYSTEMS WITHOUT THE EXPRESS WRITTEN APPROVAL OF THE PRESIDENT OF NATIONAL SEMICONDUCTOR CORPORATION. As used herein:

1. Life support devices or systems are devices or systems which, (a) are intended for surgical implant into the body, or (b) support or sustain life, and whose failure to perform, when properly used in accordance with instructions for use provided in the labeling, can be reasonably expected to result in a significant injury to the user.
2. A critical component is any component of a life support device or system whose failure to perform can be reasonably expected to cause the failure of the life support device or system, or to affect its safety or effectiveness.



National Semiconductor Corporation
 1111 West Bardin Road
 Arlington, TX 76017
 Tel: 1(800) 272-9959
 Fax: 1(800) 737-7018

National Semiconductor Europe
 Fax: (+49) 0-180-530 85 86
 Email: cnjwge@tevm2.nsc.com
 Deutsch Tel: (+49) 0-180-530 85 85
 English Tel: (+49) 0-180-532 78 32
 Français Tel: (+49) 0-180-532 93 58
 Italiano Tel: (+49) 0-180-534 16 80

National Semiconductor Hong Kong Ltd.
 19th Floor, Straight Block,
 Ocean Centre, 5 Canton Rd.
 Tsimshatsui, Kowloon
 Hong Kong
 Tel: (852) 2737-1600
 Fax: (852) 2736-9960

National Semiconductor Japan Ltd.
 Tel: 81-043-299-2309
 Fax: 81-043-299-2408

National does not assume any responsibility for use of any circuitry described, no circuit patent licenses are implied and National reserves the right at any time without notice to change said circuitry and specifications.