

## DS36C278

# Low Power Multipoint EIA-RS-485 Transceiver

### General Description

The DS36C278 is a low power differential bus/line transceiver designed to meet the requirements of RS-485 standard for multipoint data transmission. In addition it is compatible with TIA/EIA-422-B.

The CMOS design offers significant power savings over its bipolar and ALS counterparts without sacrificing ruggedness against ESD damage. The device is ideal for use in battery powered or power conscious applications.  $I_{CC}$  is specified at 500  $\mu$ A maximum.

The driver and receiver outputs feature TRI-STATE® capability. The driver outputs operate over the entire common mode range of  $-7V$  to  $+12V$ . Bus contention or fault situations that cause excessive power dissipation within the device are handled by a thermal shutdown circuit, which forces the driver outputs into the high impedance state.

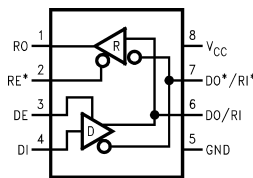
The receiver incorporates a fail safe circuit which guarantees a high output state when the inputs are left open. (Note 1)

The DS36C278T is fully specified over the industrial temperature range ( $-40^{\circ}C$  to  $+85^{\circ}C$ ).

### Features

- 100% RS-485 compliant
  - Guaranteed RS-485 device interoperation
- Low power CMOS design:  $I_{CC}$  500  $\mu$ A max
- Built-in power up/down glitch-free circuitry
  - Permits live transceiver insertion/displacement
- DIP and SOIC packages available
- Industrial temperature range:  $-40^{\circ}C$  to  $+85^{\circ}C$
- On-board thermal shutdown circuitry
  - Prevents damage to the device in the event of excessive power dissipation
- Wide common mode range:  $-7V$  to  $+12V$
- Receiver open input fail-safe (Note 1)
- $\frac{1}{4}$  unit load (DS36C278):  $\geq 128$  nodes
- $\frac{1}{2}$  unit load (DS36C278T):  $\geq 64$  nodes
- ESD (human body model):  $\geq 2$  kV
- Drop in replacement for:
  - LTC485, MAX485, DS75176, DS3695

### Connection Diagram



01204001

Order Number DS36C278TM, DS36C278TN,  
DS36C278M, DS36C278N  
See NS Package Number M08A or N08E

### Truth Table

DRIVER SECTION				
RE*	DE	DI	DO/RI	DO*/RI*
X	H	H	H	L
X	H	L	L	H
X	L	X	Z	Z
RECEIVER SECTION				
RE*	DE	RI-RI*	RO	
L	L	$\geq +0.2V$	H	
L	L	$\leq -0.2V$	L	
H	L	X	Z	
L	L	OPEN (Note 1)	H	

Note 1: Non-terminated, open input only

**Absolute Maximum Ratings** (Note 2)

If Military/Aerospace specified devices are required, please contact the National Semiconductor Sales Office/Distributors for availability and specifications.

Supply Voltage ( $V_{CC}$ )	+12V
Input Voltage (DE, RE*, & DI)	-0.5V to ( $V_{CC} + 0.5V$ )
Common Mode ( $V_{CM}$ )	
Driver Output/Receiver Input	$\pm 15V$
Input Voltage (DO/RI, DO*/RI*)	$\pm 14V$
Receiver Output Voltage	-0.5V to ( $V_{CC} + 0.5V$ )
Maximum Package Power Dissipation	
@ +25°C	
M Package 1190 mW, derate	9.5 mW/°C above +25°C
N Package 744 mW, derate	6.0 mW/°C above +25°C

Storage Temperature Range	-65°C to +150°C
Lead Temperature (Soldering 4 sec)	+260°C

**Recommended Operating Conditions**

	Min	Typ	Max	Units
Supply Voltage ( $V_{CC}$ )	+4.75	+5.0	+5.25	V
Bus Voltage	-7		+12	V
Operating Free Air Temperature ( $T_A$ )				
DS36C278T	-40	25	+85	°C
DS36C278	0	25	+70	°C

**Electrical Characteristics** (Notes 3, 4)

Over Supply Voltage and Operating Temperature ranges, unless otherwise specified

Symbol	Parameter	Conditions	Reference	Min	Typ	Max	Units	
<b>DIFFERENTIAL DRIVER CHARACTERISTICS</b>								
$V_{OD1}$	Differential Output Voltage	$I_O = 0$ mA (No Load)	(422) (485)	1.5		5.0	V	
$V_{OD0}$	Output Voltage	$I_O = 0$ mA		0		5.0	V	
$V_{OD0^*}$	Output Voltage	(Output to GND)		0		5.0	V	
$V_{OD2}$	Differential Output Voltage (Termination Load)	$R_L = 50\Omega$	(422) <i>Figure 1</i>	2.0	2.8		V	
		$R_L = 27\Omega$	(485)	1.5	2.3	5.0	V	
$\Delta V_{OD2}$	Balance of $V_{OD2}$ $ V_{OD2} - V_{OD2^*} $	$R_L = 27\Omega$ or $50\Omega$	(Note 5) (422, 485)	-0.2	0.1	+0.2	V	
$V_{OD3}$	Differential Output Voltage (Full Load)	$R_1 = 54\Omega$ , $R_2 = 375\Omega$ $V_{TEST} = -7V$ to $+12V$	<i>Figure 2</i>	1.5	2.0	5.0	V	
$V_{OC}$	Driver Common Mode Output Voltage	$R_L = 27\Omega$	(485) <i>Figure 1</i>	0		3.0	V	
		$R_L = 50\Omega$	(422)	0		3.0	V	
$\Delta V_{OC}$	Balance of $V_{OC}$ $ V_{OC} - V_{OC^*} $	$R_L = 27\Omega$ or $R_L = 50\Omega$	(Note 5) (422, 485)	-0.2		+0.2	V	
$I_{OSD}$	Driver Output Short-Circuit Current	$V_O = +12V$	(485) <i>Figure 4</i>		200	+250	mA	
		$V_O = -7V$	(485)		-190	-250	mA	
<b>RECEIVER CHARACTERISTICS</b>								
$V_{TH}$	Differential Input High Threshold Voltage	$V_O = V_{OH}$ , $I_O = -0.4V$ $-7V \leq V_{CM} \leq +12V$	(Note 6) (422, 485)		+0.035	+0.2	V	
$V_{TL}$	Differential Input Low Threshold Voltage	$V_O = V_{OL}$ , $I_O = 0.4$ mA $-7V \leq V_{CM} \leq +12V$		-0.2	-0.035		V	
$V_{HST}$	Hysteresis	$V_{CM} = 0V$	(Note 7)		70		mV	
$R_{IN}$	Input Resistance	$-7V \leq V_{CM} \leq +12V$	DS36C278T	24	68		k $\Omega$	
$R_{IN}$	Input Resistance	$-7V \leq V_{CM} \leq +12V$	DS36C278	48	68		k $\Omega$	
$I_{IN}$	Line Input Current (Note 8)	Other Input = 0V, DE = $V_{IL}$ , RE* = $V_{IL}$ , $V_{CC} = 4.75$ to $5.25$ or 0V	DS36C278	$V_{IN} = +12V$	0	0.19	0.25	mA
				$V_{IN} = -7V$	0	-0.1	-0.2	mA
			DS36C278T	$V_{IN} = +12V$	0	0.19	0.5	mA
				$V_{IN} = -7V$	0	-0.1	-0.4	mA
$I_{ING}$	Line Input Current Glitch (Note 8)	Other Input = 0V, DE = $V_{IL}$ , RE* = $V_{IL}$ , $V_{CC} = +3.0V$ or 0V, $T_A = 25^\circ C$	DS36C278	$V_{IN} = +12V$	0	0.19	0.25	mA
				$V_{IN} = -7V$	0	-0.1	-0.2	mA
			DS36C278T	$V_{IN} = +12V$	0	0.19	0.5	mA
				$V_{IN} = -7V$	0	-0.1	-0.4	mA

**Electrical Characteristics** (Notes 3, 4) (Continued)

Over Supply Voltage and Operating Temperature ranges, unless otherwise specified

Symbol	Parameter	Conditions	Reference	Min	Typ	Max	Units
<b>RECEIVER CHARACTERISTICS</b>							
$I_B$	Input Balance Test	$R_S = 500\Omega$	(422) (Note 10)			$\pm 400$	mV
$V_{OH}$	High Level Output Voltage	$I_{OH} = -4\text{ mA}$ , $V_{ID} = +0.2\text{V}$	RO <i>Figure 11</i>	3.5	4.6		V
$V_{OL}$	Low Level Output Voltage	$I_{OL} = +4\text{ mA}$ , $V_{ID} = -0.2\text{V}$			0.3	0.5	V
$I_{OSR}$	Short Circuit Current	$V_O = \text{GND}$	RO	7	35	85	mA
$I_{OZR}$	TRI-STATE Leakage Current	$V_O = 0.4\text{V to } 2.4\text{V}$				$\pm 1$	$\mu\text{A}$

**DEVICE CHARACTERISTICS**

$V_{IH}$	High Level Input Voltage		DE, RE*, DI	2.0		$V_{CC}$	V	
$V_{IL}$	Low Level Input Voltage			GND		0.8	V	
$I_{IH}$	High Level Input Current	$V_{IH} = V_{CC}$				2	$\mu\text{A}$	
$I_{IL}$	Low Level Input Current	$V_{CC} = 5\text{V}$		$V_{IL} = 0\text{V}$		-2	$\mu\text{A}$	
		$V_{CC} = +3.0\text{V}$			-2	$\mu\text{A}$		
$I_{CC}$	Power Supply Current (No Load)	Driver and Receiver ON		$V_{CC}$		200	500	$\mu\text{A}$
$I_{CCR}$		Driver OFF, Receiver ON				200	500	$\mu\text{A}$
$I_{CCD}$		Driver ON, Receiver OFF				200	500	$\mu\text{A}$
$I_{CCZ}$		Driver and Receiver OFF				200	500	$\mu\text{A}$

**Switching Characteristics** (Notes 4, 9)

Over Supply Voltage and Operating Temperature ranges, unless otherwise specified

Symbol	Parameter	Conditions	Reference	Min	Typ	Max	Units
<b>DRIVER CHARACTERISTICS</b>							
$t_{PHLD}$	Differential Propagation Delay High to Low	$R_L = 54\Omega$ , $C_L = 100\text{ pF}$	<i>Figures 5, 6</i>	10	39	80	ns
$t_{PLHD}$	Differential Propagation Delay Low to High			10	40	80	ns
$t_{SKD}$	Differential Skew $ t_{PHLD} - t_{PLHD} $			0	1	10	ns
$t_r$	Rise Time			3	25	50	ns
$t_f$	Fall Time			3	25	50	ns
$t_{PHZ}$	Disable Time High to Z	$C_L = 15\text{ pF}$	<i>Figures 7, 8</i>	—	80	200	ns
$t_{PLZ}$	Disable Time Low to Z	$RE^* = L$	<i>Figures 9, 10</i>	—	80	200	ns
$t_{PZH}$	Enable Time Z to High	$C_L = 100\text{ pF}$	<i>Figures 7, 8</i>	—	50	200	ns
$t_{PZL}$	Enable Time Z to Low	$RE^* = L$	<i>Figures 9, 10</i>	—	65	200	ns
<b>RECEIVER CHARACTERISTICS</b>							
$t_{PHL}$	Propagation Delay High to Low	$C_L = 15\text{ pF}$	<i>Figures 12, 13</i>	30	210	400	ns
$t_{PLH}$	Propagation Delay Low to High			30	190	400	ns
$t_{SK}$	Skew, $ t_{PHL} - t_{PLH} $			0	20	50	ns
$t_{PLZ}$	Output Disable Time	$C_L = 15\text{ pF}$	<i>Figures 14, 15, 16</i>	—	50	150	ns
$t_{PHZ}$				—	55	150	ns
$t_{PZL}$	Output Enable Time			—	40	150	ns
$t_{PZH}$				—	45	150	ns

## Switching Characteristics (Notes 4, 9) (Continued)

**Note 2:** "Absolute Maximum Ratings" are those values beyond which the safety of the device cannot be guaranteed. They are not meant to imply that the devices should be operated at these limits. The table of "Electrical Characteristics" specifies conditions of device operation.

**Note 3:** Current into device pins is defined as positive. Current out of device pins is defined as negative. All voltages are referenced to ground except  $V_{OD1}$  and  $V_{OD2}$ .

**Note 4:** All typicals are given for:  $V_{CC} = +5.0V$ ,  $T_A = +25^\circ C$ .

**Note 5:** Delta  $|V_{OD2}|$  and Delta  $|V_{OC}|$  are changes in magnitude of  $V_{OD2}$  and  $V_{OC}$ , respectively, that occur when input changes state.

**Note 6:** Threshold parameter limits specified as an algebraic value rather than by magnitude.

**Note 7:** Hysteresis defined as  $V_{HST} = V_{TH} - V_{TL}$ .

**Note 8:**  $I_{IN}$  includes the receiver input current and driver TRI-STATE leakage current.

**Note 9:**  $C_L$  includes probe and jig capacitance.

**Note 10:** For complete details of test, see RS-485.

## Parameter Measurement Information

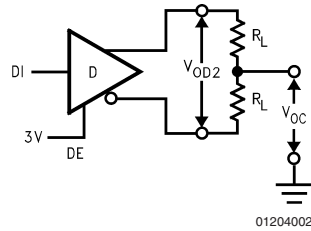


FIGURE 1. Driver  $V_{OD2}$  and  $V_{OC}$

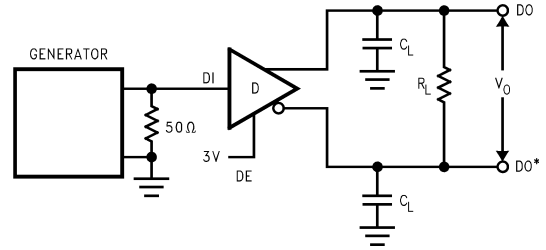


FIGURE 5. Driver Differential Propagation Delay Test Circuit

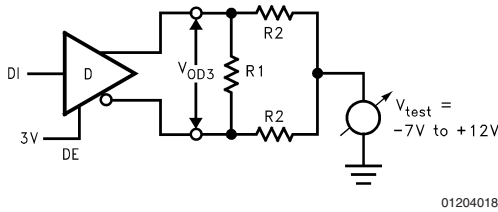


FIGURE 2. Driver  $V_{OD3}$

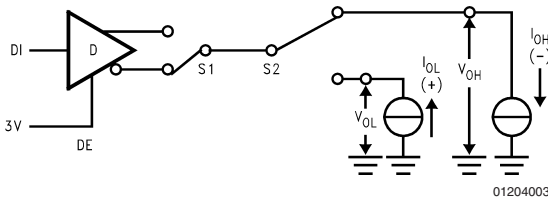


FIGURE 3. Driver  $V_{OH}$  and  $V_{OL}$

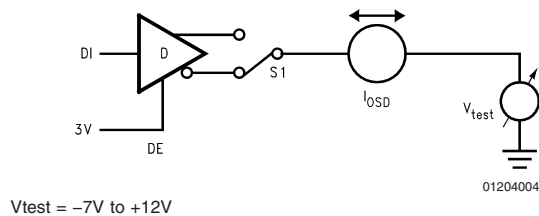


FIGURE 4. Driver  $I_{OSD}$

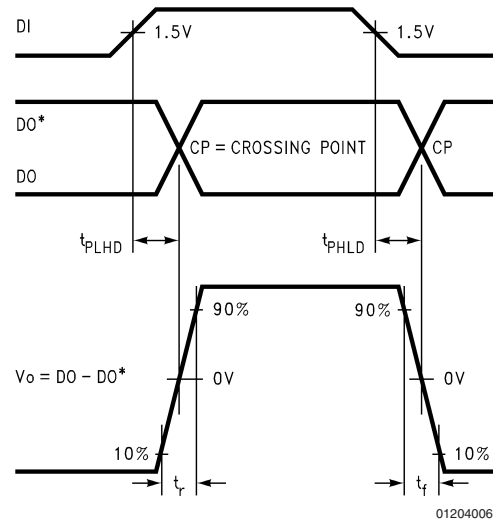
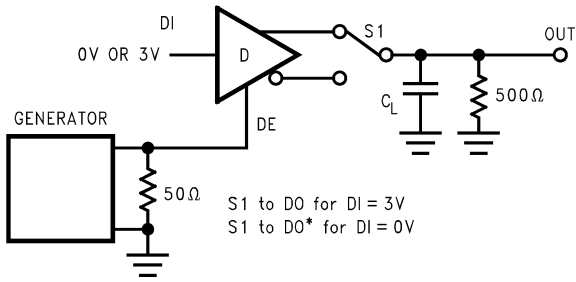


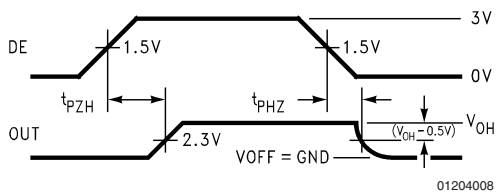
FIGURE 6. Driver Differential Propagation Delays and Differential Rise and Fall Times

**Parameter Measurement Information** (Continued)



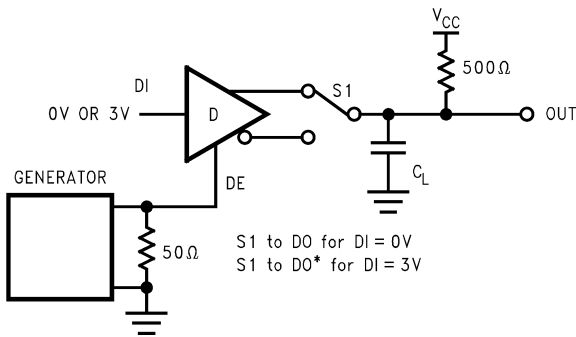
01204007

**FIGURE 7. TRI-STATE Test Circuit ( $t_{PZH}$ ,  $t_{PHZ}$ )**



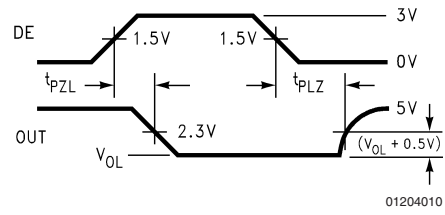
01204008

**FIGURE 8. TRI-STATE Waveforms ( $t_{PZH}$ ,  $t_{PHZ}$ )**



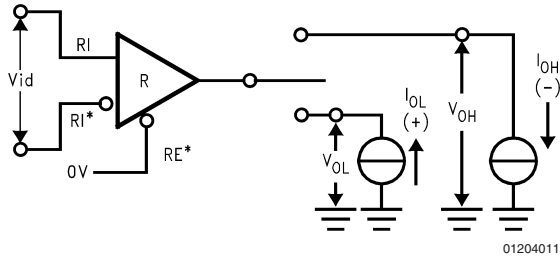
01204009

**FIGURE 9. TRI-STATE Test Circuit ( $t_{PZL}$ ,  $t_{PLZ}$ )**



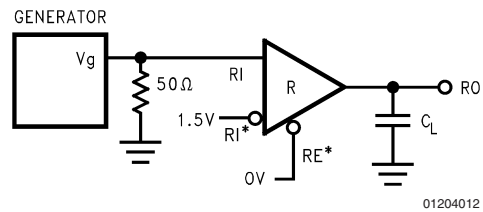
01204010

**FIGURE 10. TRI-STATE Waveforms ( $t_{PZL}$ ,  $t_{PLZ}$ )**



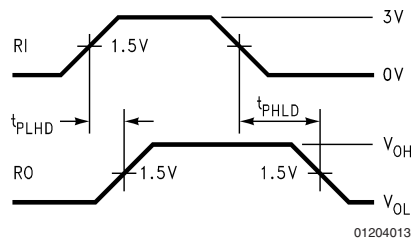
01204011

**FIGURE 11. Receiver  $V_{OH}$  and  $V_{OL}$**



01204012

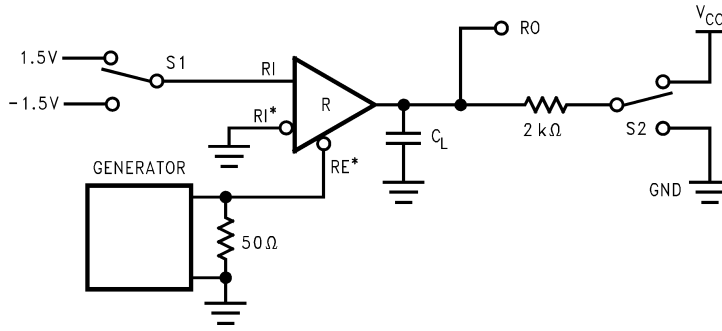
**FIGURE 12. Receiver Differential Propagation Delay Test Circuit**



01204013

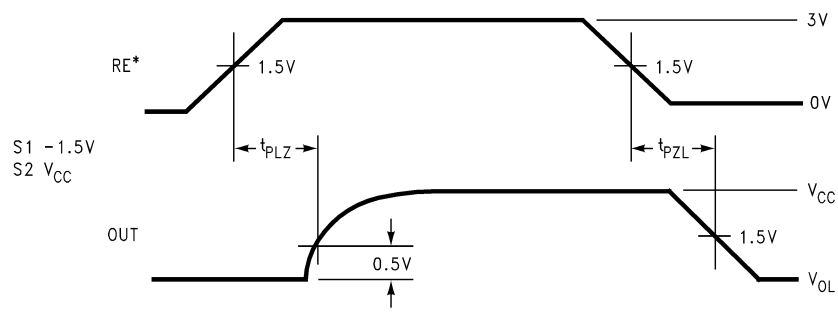
**FIGURE 13. Receiver Differential Propagation Delay Waveforms**

Parameter Measurement Information (Continued)



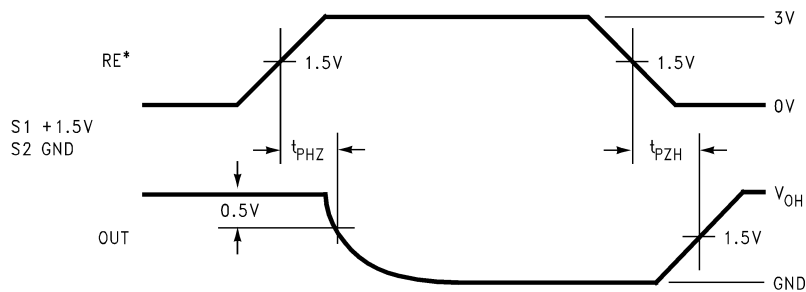
01204014

FIGURE 14. Receiver TRI-STATE Test Circuit



01204015

FIGURE 15. Receiver Enable and Disable Waveforms ( $t_{PLZ}$ ,  $t_{PZL}$ )



01204016

FIGURE 16. Receiver Enable and Disable Waveforms ( $t_{PHZ}$ ,  $t_{PZH}$ )

## Typical Application Information

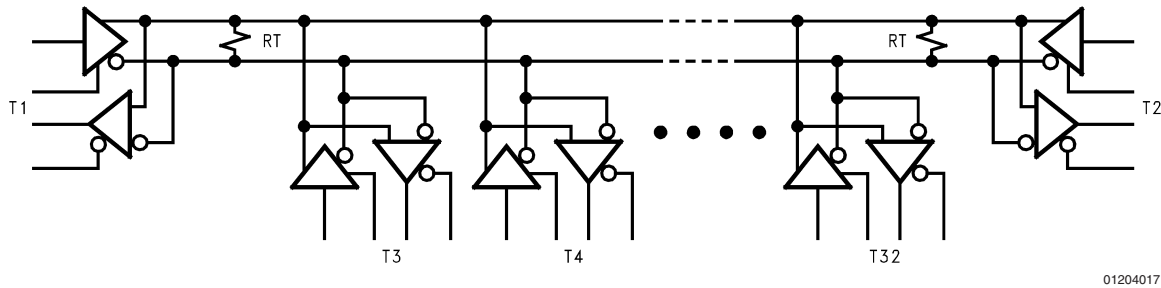


FIGURE 17. Typical RS-485 Bus Interface

TABLE 1. Device Pin Descriptions

Pin No.	Name	Description
1	RO	Receiver Output: When RE (Receiver Enable) is LOW, the receiver is enabled (ON), if $DO/RI \geq DO^*/RI^*$ by 200 mV, RO will be HIGH. If $DO/RI \leq DO^*/RI^*$ by 200 mV, RO will be LOW. Additionally RO will be HIGH for OPEN (Non-terminated) Inputs.
2	RE*	Receiver Output Enable: When RE* is LOW the receiver output is enabled. When RE* is HIGH, the receiver output is in TRI-STATE (OFF).
3	DE	Driver Output Enable: When DE is HIGH, the driver outputs are enabled. When DE is LOW, the driver outputs are in TRI-STATE (OFF).
4	DI	Driver Input: When DE (Driver Enable) is HIGH, the driver is enabled, if DI is LOW, then DO/RI will be LOW and $DO^*/RI^*$ will be HIGH. If DI is HIGH, then DO/RI is HIGH and $DO^*/RI^*$ is LOW.
5	GND	Ground Connection.
6	DO/RI	Driver Output/Receiver Input, 485 Bus Pin.
7	$DO^*/RI^*$	Driver Output/Receiver Input, 485 Bus Pin.
8	$V_{CC}$	Positive Power Supply Connection: Recommended operating range for $V_{CC}$ is +4.75V to +5.25V.

### Unit Load

A unit load for an RS-485 receiver is defined by the input current versus the input voltage curve. The gray shaded region is the defined operating range from  $-7V$  to  $+12V$ . The top border extending from  $-3V$  at 0 mA to  $+12V$  at +1 mA is defined as one unit load. Likewise, the bottom border extending from  $+5V$  at 0 mA to  $-7V$  at  $-0.8$  mA is also defined as one unit load (see Figure 18). An RS-485 driver is capable of driving up to 32 unit loads. This allows up to 32 nodes on a single bus. Although sufficient for many applications, it is sometimes desirable to have even more nodes. For example, an aircraft that has 32 rows with 4 seats per row would benefit from having 128 nodes on one bus. This would allow signals to be transferred to and from each individual seat to 1 main station. Usually there is one or two less seats in the last row of the aircraft near the restrooms and food storage area. This frees the node for the main station.

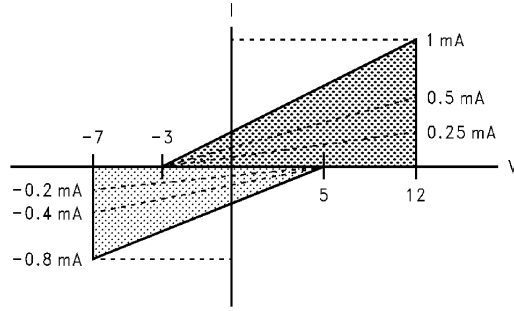
The DS36C278, the DS36C279, and the DS36C280 all have  $\frac{1}{2}$  unit load and  $\frac{1}{4}$  unit load (UL) options available. These devices will allow up to 64 nodes or 128 nodes guaranteed over temperature depending upon which option is selected. The  $\frac{1}{2}$  UL option is available in industrial temperature and the  $\frac{1}{4}$  UL is available in commercial temperature.

First, for a  $\frac{1}{2}$  UL device the top and bottom borders shown in Figure 18 are scaled. Both 0 mA reference points at  $+5V$  and  $-3V$  stay the same. The other reference points are  $+12V$  at  $+0.5$  mA for the top border and  $-7V$  at  $-0.4$  mA for the bottom border (see Figure 18). Second, for a  $\frac{1}{4}$  UL device the top and bottom borders shown in Figure 18 are scaled also. Again, both 0 mA reference points at  $+5V$  and  $-3V$  stay the same. The other reference points are  $+12V$  at  $+0.25$  mA for the top border and  $-7V$  at  $-0.2$  mA for the bottom border (see Figure 18).

The advantage of the  $\frac{1}{2}$  UL and  $\frac{1}{4}$  UL devices is the increased number of nodes on one bus. In a single master multi-slave type of application where the number of slaves exceeds 32, the DS36C278/279/280 may save in the cost of extra devices like repeaters, extra media like cable, and/or extra components like resistors.

The DS36C279 and DS36C280 have an additional feature which offers more advantages. The DS36C279 has an automatic sleep mode function for power conscious applications. The DS36C280 has a slew rate control for EMI conscious applications. Refer to the sleep mode and slew rate control portion of the application information section in the corresponding datasheet for more information on these features.

# Unit Load (Continued)



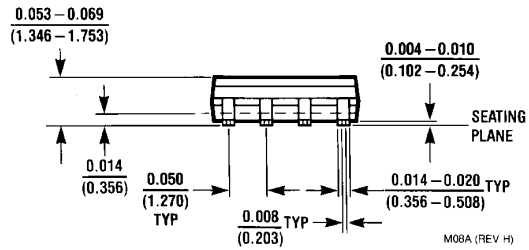
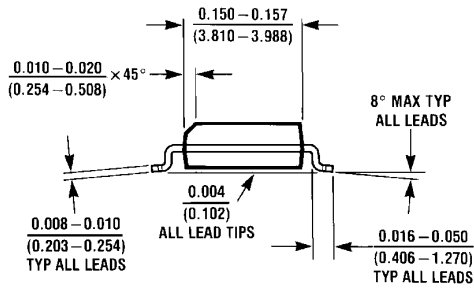
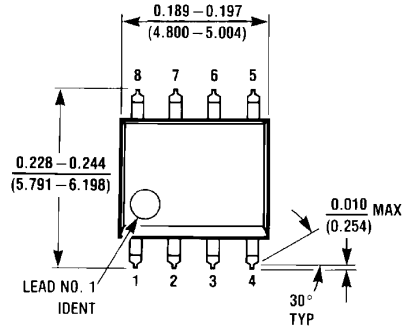
01204019

**FIGURE 18. Input Current vs Input Voltage Operating Range**



**Physical Dimensions** inches (millimeters)

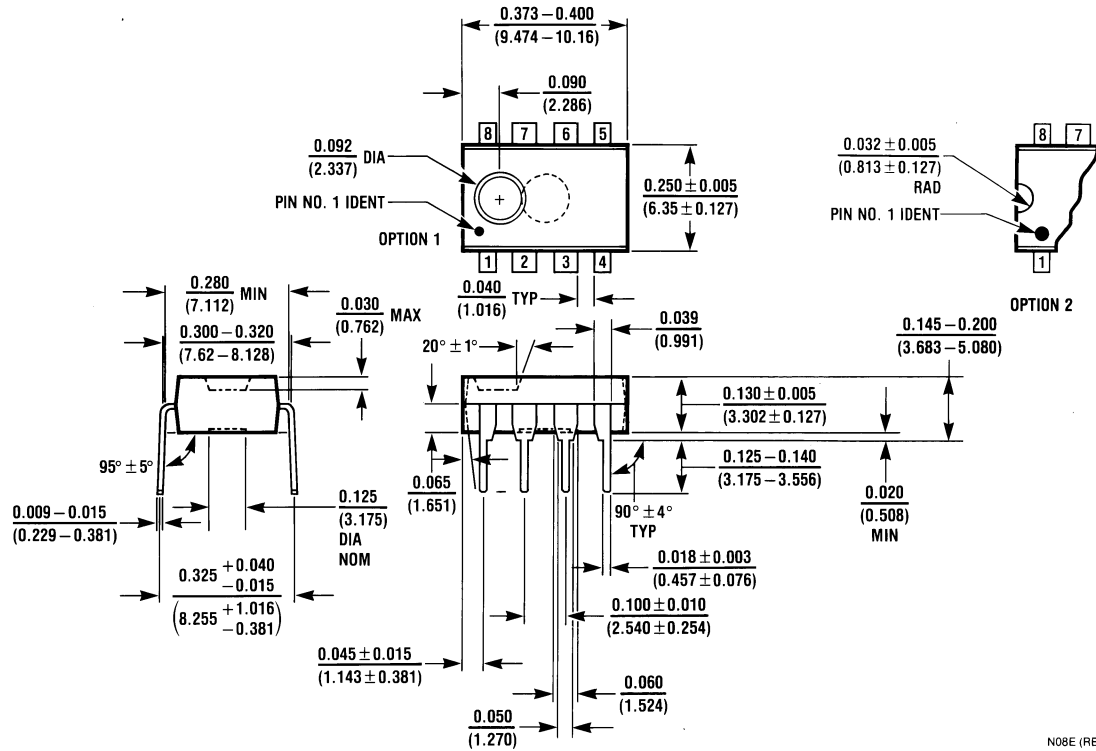
unless otherwise noted



M08A (REV. H)

**8-Lead (0.150" Wide) Molded Small Outline Package, JEDEC**  
**Order Number DS36C278TM, DS36C278M**  
**NS Package Number M08A**

**Physical Dimensions** inches (millimeters) unless otherwise noted (Continued)



**8-Lead (0.300" Wide) Molded Dual-In-Line Package**  
**Order Number DS36C278TN, DS36C278N**  
**NS Package Number N08E**

National does not assume any responsibility for use of any circuitry described, no circuit patent licenses are implied and National reserves the right at any time without notice to change said circuitry and specifications.

For the most current product information visit us at [www.national.com](http://www.national.com).


**LIFE SUPPORT POLICY**

NATIONAL'S PRODUCTS ARE NOT AUTHORIZED FOR USE AS CRITICAL COMPONENTS IN LIFE SUPPORT DEVICES OR SYSTEMS WITHOUT THE EXPRESS WRITTEN APPROVAL OF THE PRESIDENT AND GENERAL COUNSEL OF NATIONAL SEMICONDUCTOR CORPORATION. As used herein:

1. Life support devices or systems are devices or systems which, (a) are intended for surgical implant into the body, or (b) support or sustain life, and whose failure to perform when properly used in accordance with instructions for use provided in the labeling, can be reasonably expected to result in a significant injury to the user.
2. A critical component is any component of a life support device or system whose failure to perform can be reasonably expected to cause the failure of the life support device or system, or to affect its safety or effectiveness.

**BANNED SUBSTANCE COMPLIANCE**

National Semiconductor certifies that the products and packing materials meet the provisions of the Customer Products Stewardship Specification (CSP-9-111C2) and the Banned Substances and Materials of Interest Specification (CSP-9-111S2) and contain no "Banned Substances" as defined in CSP-9-111S2.

 **National Semiconductor**  
**Americas Customer Support Center**  
 Email: [new.feedback@nsc.com](mailto:new.feedback@nsc.com)  
 Tel: 1-800-272-9959

**National Semiconductor**  
**Europe Customer Support Center**  
 Fax: +49 (0) 180-530 85 86  
 Email: [europe.support@nsc.com](mailto:europe.support@nsc.com)  
 Deutsch Tel: +49 (0) 69 9508 6208  
 English Tel: +44 (0) 870 24 0 2171  
 Français Tel: +33 (0) 1 41 91 8790

**National Semiconductor**  
**Asia Pacific Customer Support Center**  
 Email: [ap.support@nsc.com](mailto:ap.support@nsc.com)

**National Semiconductor**  
**Japan Customer Support Center**  
 Fax: 81-3-5639-7507  
 Email: [jpn.feedback@nsc.com](mailto:jpn.feedback@nsc.com)  
 Tel: 81-3-5639-7560