

OD-S589A/-S589B

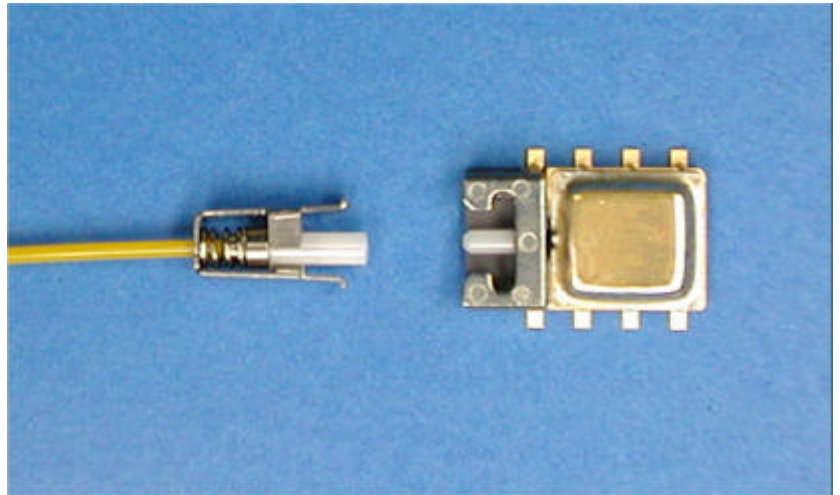
SMT-InGaAs PIN-Amp Module

FEATURES

- Surface Mountable.
- Small Size Flat Ceramic Package (7.6 x 12.7 x 3 mm).
- Operating Speed :
 - OD-S589A (155 Mbps : STM-1/OC3)
 - OD-S589B (622 Mbps : STM-4/OC12)
- High Sensitivity.
- Differential Outputs.
- Internal Supply Bypass Capacitor
- Wide Operating Temperature Range : - 40 to + 85°C..
- Detachable Pigtail Interface.
- Single Supply Voltage from 3.0 to 3.5V.

APPLICATION

- Subscriber Loop.
- Telecommunications.
- Data Communications.
- Local Area Networks.



ABSOLUTE MAXIMUM RATINGS

(Ta=+25°C, unless noted)

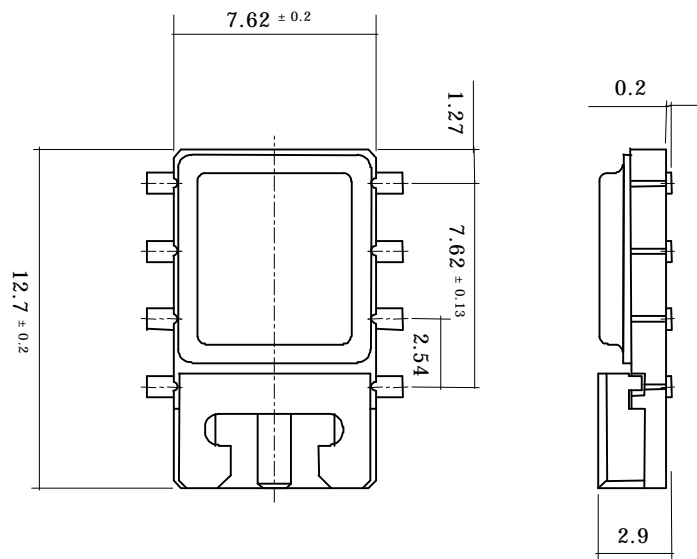
Parameter	Symbol	Unit	Values			Notes
			Min.	Typ.	Max.	
Optical Input Power	Pin	mW	-	2	-	
Supply Voltage	VDD	V	-	+ 5.5	-	
Operating Temperature	Top	°C	- 40	-	+ 85	
Storage Temperature	Tstg	°C	- 40	-	+ 85	
Lead Soldering Temperature	Tsol	°C	-	+230(30sec)	-	reflow soldering

OPTICAL / ELECTRICAL CHARACTERISTICS

(Ta=+25°C, unless noted)

Parameter	Conditions	Unit	OD-S589A			OD-S589B		
			Min.	Typ	Min.	Min.	Typ	Min.
Sensitivity	BER = 10 ⁻¹⁰	dBm	-	- 36	- 35	-	- 31	- 30
	-40~85°C		-	- 32	-	-	-	-
Optical Overload		dBm	- 3	0	-	- 3	0	-
Band Width	3dB down	MHz	100	150	-	500	600	-
Trans Impedance		kΩ	-	44	-	-	21	-
Operating Voltage		V	+ 3.0	+ 3.3	+ 3.5	+ 3.0	+ 3.3	+ 3.5
Responsivity		A/W	-	0.9	-	-	0.9	-

DIMENSIONS (Unit:mm)



DATA SUBJECT TO CHANGE WITHOUT NOTICE

Sales Department, Fiber Optic Devices Division
 Optical Network Operations Unit, NEC Networks
 NEC Corporation
 1753 Shimonumabe, Nakahara-ku, Kawasaki, Kanagawa 211-8666, Japan
 Tel: +81-44-435-5412 Fax: +81-44-435-5109

<http://networks.nec.co.jp/on/dd/en/>

Copyright © 2002 NEC Corporation

NEC Electronics (Europe) GmbH
 Sales and marketing of semiconductors across Europe
 Oberratherstr. 4, 40472 Dusseldorf, Germany
 Tel: +49-211-6503-979 FAX: +49-211-6503-358

USA & CANADA
 NEC FiberOptech, Inc.
 10050 North Wolfe Road, Suite SW1-290 Cupertino, CA 95014, USA
 Tel: +1-408-863-2000 Fax: +1-408-863-2019

