

MF1090V-3

FOR E-GSM MOBILE TELEPHONE, Rx

MF1090V-3

DESCRIPTION

This SAW filter for the receiving RF circuit of E-GSM mobile communication equipment operating at 925 MHz ~ 960 MHz.

FEATURES

1. SMD package insures small size, lightweight.
2. Adjustment free.
3. Low insertion loss and high stop band attenuation.
4. Wide and sharp passband characteristics.
5. High stability and reliability.
6. Designed for reflow solderings.

APPLICATION

- Mobile cellular telephone
- Portable digital cellular telephone
- Wireless equipment

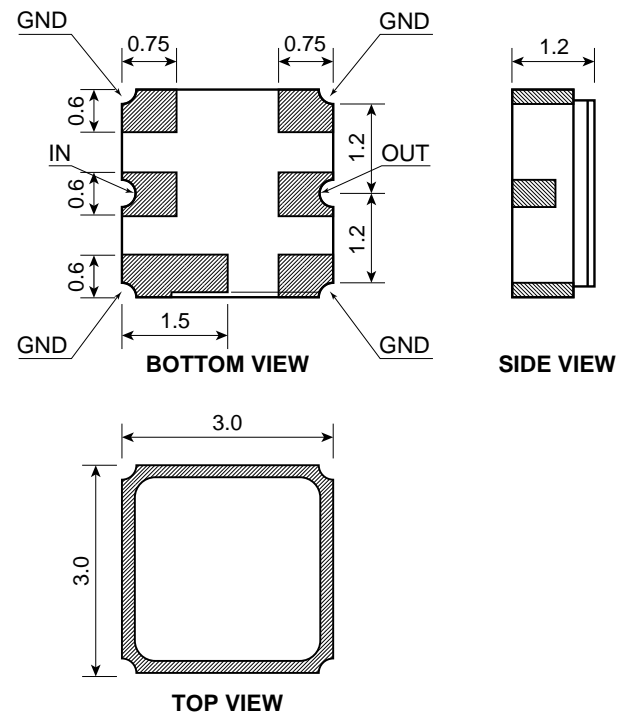
MAXIMUM RATINGS

| Rating | Value | Unit |
|-----------------------------|-----------|------|
| Input Power | 50 | mW |
| Operating Temperature Range | -20 to 75 | °C |
| Storage Temperature Range | -30 to 85 | °C |

ELECTRICAL PERFORMANCE

| Parameter | MF1090V-3 | | | Units |
|--------------------------|-----------------|-----|-----|-------|
| | Min | Typ | Max | |
| PASSBAND FREQUENCY | 925 - 960 | | | MHz |
| PASSBAND CHARACTERISTICS | Insertion Loss | 2.8 | 3.5 | dB |
| | Ripple | 1.1 | 2.0 | |
| | VSWR | 2.3 | 3.0 | |
| STOPBAND ATTENUATION | 810 - 830 MHz | 35 | 45 | dB |
| | 870 - 885 MHz | 30 | 43 | |
| | 1070 - 1090 MHz | 40 | 45 | |
| | 1130 - 1145 MHz | 40 | 47 | |
| | 1850 - 1920 MHz | 30 | 36 | |
| | 2775 - 2880 MHz | 10 | 26 | |

PACKAGE OUTLINE DIMENSIONS



DIMENSIONS ARE IN MILLIMETERS
±0.2 UNLESS OTHERWISE SPECIFIED

MF1090V-3 TYPICAL CHARACTERISTICS

