

2N3740

APPLICATIONS:

- Drivers
- Switches
- Medium-Power Amplifiers

FEATURES:

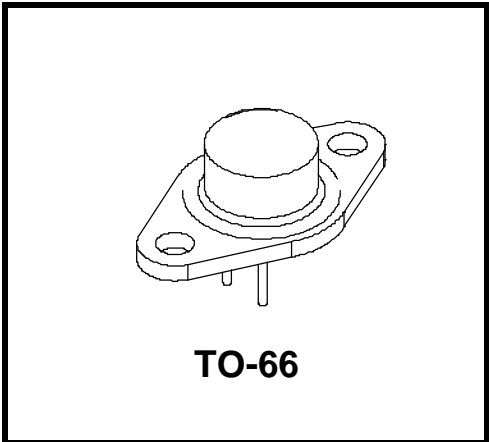
- Low Saturation Voltage: 0.6 V_{CE(sat)} @ I_C = 1.0 Amp
- High Gain Characteristics: hFE @ I_C = 250 mA: 30-100
- Excellent Safe Area Limits
- Complementary to NPN 2N3766 (2N3740)

**Medium Power
PNP Transistors**

DESCRIPTION:

These power transistors are produced by PPC's DOUBLE DIFFUSED PLANAR process. This technology produces high voltage devices with excellent switching speeds, frequency response, gain linearity, saturation voltages, high current gain, and safe operating areas. They are intended for use in Commercial, Industrial, and Military power switching, amplifier, and regulator applications.

Ultrasonically bonded leads and controlled die mount techniques are utilized to further increase the SOA capability and inherent reliability of these devices. The temperature range to 200°C permits reliable operation in high ambients, and the hermetically sealed package insures maximum reliability and long life.



ABSOLUTE MAXIMUM RATINGS:

| SYMBOL | CHARACTERISTIC | VALUE | UNITS |
|--------------------|--------------------------------|------------|-------|
| V _{CEO} * | Collector-Emitter Voltage | 60 | Vdc |
| V _{EB} * | Emitter-Base Voltage | 7.0 | Vdc |
| V _{CB} * | Collector-Base Voltage | 60 | Vdc |
| I _C * | Peak Collector Current | 10 | Adc |
| I _C | Continuous Collector Current | 4.0 | Adc |
| I _B * | Base Current | 2.0 | Adc |
| T _{STG} * | Storage Temperature | -65 to 200 | °C |
| T _J * | Operating Junction Temperature | -65 to 200 | °C |
| P _D * | Total Device Dissipation | 25 | Watts |
| | T _C = 25°C | | |
| | Derate above 25°C | 0.143 | W/°C |
| θ _{JC} | Thermal Impedance | 7 | °C/W |

* Indicates JEDEC registered data.

**ELECTRICAL CHARACTERISTICS:
 (25° Case Temperature Unless Otherwise Noted)**

| SYMBOL | CHARACTERISTIC | TEST CONDITIONS | VALUE | | Units |
|-----------------|---|---|----------------------|-----------------------------|------------------------------|
| | | | Min. | Max. | |
| $V_{CE(sus)}^*$ | Collector-Emitter Sustaining Voltage | $I_C = 100 \text{ mAdc}, I_B = 0$ (Note 1) | 60 | ---- | Vdc |
| I_{EB0}^* | Emitter Base Cutoff Current | $V_{EB} = 7.0 \text{ Vdc}$ | ---- | 0.5 | mAdc |
| I_{CEX}^* | Collector Cutoff Current | $V_{CE} = 60 \text{ Vdc}, V_{BE(off)} = 1.5 \text{ Vdc}$ $V_{CE} = 40 \text{ Vdc}, V_{BE(off)} = 1.5 \text{ Vdc}, T_C = 150^\circ\text{C}$ | ---- | 100 | μAdc mAdc |
| I_{CE0}^* | Collector-Emitter Cutoff Current | $V_{CE} = 40 \text{ Vdc}, I_B = 0$ | ---- | 1.0 | mAdc |
| I_{CB0}^* | Collector Base Cutoff Current | $V_{CB} = 60 \text{ Vdc}, I_E = 0$ | ---- | 100 | μAdc |
| h_{FE}^* | DC Current Gain (Note 1) | $I_C = 100 \text{ mAdc}, V_{CE} = 1.0 \text{ Vdc}$ $I_C = 250 \text{ mAdc}, V_{CE} = 1.0 \text{ Vdc}$ $I_C = 500 \text{ mAdc}, V_{CE} = 1.0 \text{ Vdc}$ $I_C = 1.0 \text{ Adc}, V_{CE} = 1.0 \text{ Vdc}$ | 40 30 20 10 | ---- 100 ---- ---- | ---- ---- ---- ---- |
| $V_{CE(sat)}^*$ | Collector-Emitter Saturation Voltage (Note 1) | $I_C = 1.0 \text{ Adc}, I_B = 125 \text{ mAdc}$ | ---- | 0.6 | Vdc |
| V_{BE}^* | Base-Emitter Voltage (Note 1) | $I_C = 250 \text{ mAdc}, V_{CE} = 1.0 \text{ Vdc}$ | ---- | 1.0 | Vdc |
| f_T^* | Current Gain Bandwidth Product | $I_C = 100 \text{ mAdc}, V_{CE} = 10 \text{ Vdc}, f = 1.0 \text{ MHz}$ | 3.0 | ---- | MHz |
| h_{fe}^* | Small-Signal Current Gain | $I_C = 50 \text{ mAdc}, V_{CE} = 10 \text{ Vdc}, f = 1.0 \text{ kHz}$ | 25 | ---- | ---- |
| C_{ob}^* | Common Base Output Capacitance | $V_{CB} = 10 \text{ Vdc}, I_C = 0, f = 100 \text{ kHz}$ | ---- | 100 | pF |

Note 1: Pulse Test: $PW \leq 300\mu\text{s}$, Duty Cycle $\leq 2.0\%$

* Indicates JEDEC registered data.

PACKAGE MECHANICAL DATA:

