

# Two-Way Isolated Power Dividers

## Tapered, Ultra Broadband

# 2090 Series

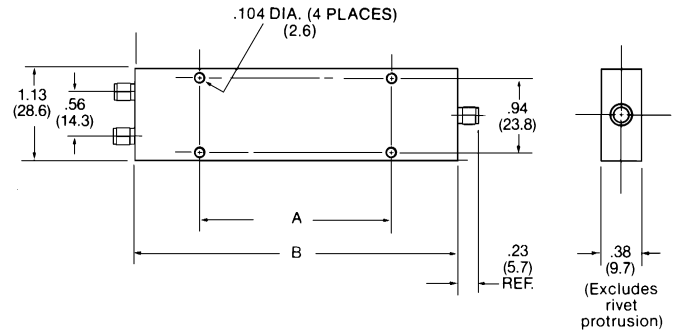
V2.00

### Features

- Octave, Multi-Octave and Decade Frequency Coverage
- Low Insertion Loss
- Excellent Amplitude and Phase Balance
- High Isolation Between Output Ports
- Low VSWR
- Power: 80 Watts Maximum
- Meets MIL-E-5400 and MIL-E-16400 Environments

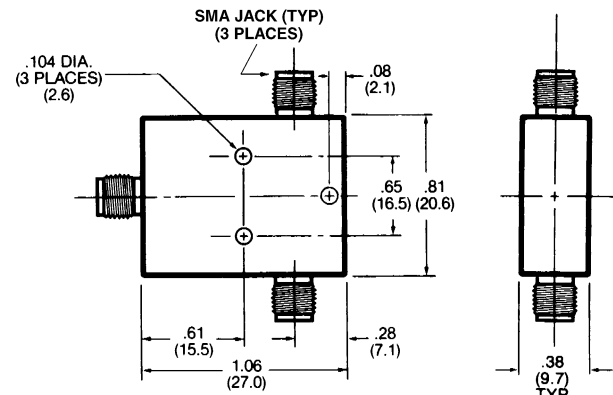
### Description

New designs include operation through 26 GHz and retain the performance of lower frequency units. These units are ideal for multioctave ECM systems, and function as either dividers or combiners to facilitate system performance.



**Figure 1**

Note: All dimensions are  $\pm .020$  except mounting hole diameters ( $\pm .005$ ) and mounting hole location ( $\pm .010$ ).



**Figure 2**

### Specifications

Part No.	Frequency Range (GHz)	VSWR (max.)	Isolation dB (min.)	Insertion Loss dB (max.)	Output Unbalance		Max Input Power** (watts)	Size, Inches (mm)		Weight	
					Amp. (dB)	Phase (deg.)		A	B	Fig.	Oz. g
2090-6204-00	0.5-18.0	1.35 (0.5 to 11) GHz	20 (0.5 to 3) GHz	0.2 + .17f	0.3	5	80	9.40	11.02	1	8.0
		1.50 (11 to 18) GHz	23 (3 to 18) GHz					(239)	(291)		
2090-6205-00	2.0-18.0	1.35 (2 to 11) GHz	20 (2 to 3) GHz	0.2 + .07f	0.3	5	40	2.40	4.02	1	2.9
		1.50 (11 to 18) GHz	23 (3 to 18) GHz					(61.1)	(102)		
2090-6210-00*	8.0-18.0	1.50	18	0.2 + .03f	0.3	5	20	—	—	2	1.1
											30

\* To 18GHz

\*\* Maximum input power with output loads of VSWR  $\leq 2.01$  derate to 10% of listed value when arbitrarily terminated.

Note: f is frequency in GHz.