

USER'S GUIDE

LSI20860 PCI to Ultra SCSI Host Adapter

Version 1.1

January 2001



Electromagnetic Compatibility Notices

This device complies with Part 15 of the FCC Rules. Operation is subject to the following two conditions:

1. This device may not cause harmful interference, and
2. This device must accept any interference received, including interference that may cause undesired operation.

This equipment has been tested and found to comply with the limits for a Class B digital device, pursuant to part 15 of the FCC Rules. These limits are designed to provide reasonable protection against harmful interference in a residential installation. This equipment generates, uses, and can radiate radio frequency energy and, if not installed and used in accordance with the instructions, may cause harmful interference to radio communications. However, there is no guarantee that interference will not occur in a particular installation. If this equipment does cause harmful interference to radio or television reception, which can be determined by turning the equipment off and on, the user is encouraged to try to correct the interference by one or more of the following measures:

- Reorient or relocate the receiving antenna.
- Increase the separation between the equipment and the receiver.
- Connect the equipment into an outlet on a circuit different from that to which the receiver is connected.
- Consult the dealer or an experienced radio/TV technician for help.

Shielded cables for SCSI connection external to the cabinet are used in the compliance testing of this Product. LSI Logic is not responsible for any radio or television interference caused by unauthorized modification of this equipment or the substitution or attachment of connecting cables and equipment other than those specified by LSI Logic. The correction of interferences caused by such unauthorized modification, substitution, or attachment will be the responsibility of the user.

The LSI Logic LSI20860 is tested to comply with FCC standards for home or office use.

This Class B digital apparatus meets all requirements of the Canadian Interference-Causing Equipment Regulations.

Cet appareil numérique de la classe B respecte toutes les exigences du Règlement sur le matériel brouilleur du Canada.

この装置は、情報処理装置等電波障害自主規制協議会（VCCI）の基準に基づくクラス B 情報技術装置です。この装置は、家庭環境で使用することを目的としていますが、この装置がラジオやテレビジョン受信機に近接して使用されると、受信障害を引き起こすことがあります。
取扱説明書に従って正しい取り扱いをして下さい。

This is a Class B product based on the standard of the Voluntary Control Council for Interference from Information Technology Equipment (VCCI). If this is used near a radio or television receiver in a domestic environment, it may cause radio interference. Install and use the equipment according to the instruction manual.

LSI Logic Corporation
North American Headquarters
Milpitas, CA
408.433.8000

This document contains proprietary information of LSI Logic Corporation. The information contained herein is not to be used by or disclosed to third parties without the express written permission of an officer of LSI Logic Corporation.

LSI Logic products are not intended for use in life-support appliances, devices, or systems. Use of any LSI Logic product in such applications without written consent of the appropriate LSI Logic officer is prohibited.

Document DB15-000129-01, Second Edition (January 2001). This document describes the LSI Logic LSI20860 PCI to Ultra SCSI Host Adapter and will remain the official reference source for all revisions/releases of this product until rescinded by an update.

To receive product literature, visit us at <http://www.lsillogic.com>.

LSI Logic Corporation reserves the right to make changes to any products herein at any time without notice. LSI Logic does not assume any responsibility or liability arising out of the application or use of any product described herein, except as expressly agreed to in writing by LSI Logic; nor does the purchase or use of a product from LSI Logic convey a license under any patent rights, copyrights, trademark rights, or any other of the intellectual property rights of LSI Logic or third parties.

Copyright © 1999–2001 by LSI Logic Corporation. All rights reserved.

TRADEMARK ACKNOWLEDGMENT

The LSI Logic logo design and SDMS are registered trademarks or trademarks of LSI Logic Corporation. All other brand and product names may be trademarks of their respective companies.

Preface

This book is the primary reference and user's guide for the LSI Logic LSI20860 PCI to Ultra SCSI Host Adapter. It contains a complete functional description for the LSI20860 and includes complete physical and electrical specifications for the LSI20860.

Audience

This document assumes that you have some familiarity with microprocessors and related support devices. The people who benefit from this book are:

- Engineers and managers who are evaluating or designing the host adapter board for possible use in a system
 - End users who are installing the host adapter board into their computer
-

Organization

This document has the following chapter and appendix:

- [Chapter 1, Using the LSI20860](#), describes the PCI and SCSI interfaces for this board along with the physical and electrical specifications. Quick installation instructions are also provided for inserting this host adapter into your computer.
- [Appendix A, Glossary of Terms and Abbreviations](#), describes various terminology that is referenced throughout this user's guide.

Related Publications

LSI53C860 PCI to Ultra SCSI I/O Processor Data Manual,
Order Number T09962

PCI Storage Device Management System SDMS 4.0 User's Guide,
Order Number S14007.A

Revision Record

Revision	Date	Remarks
1.0	11/99	Final version.
1.1	01/01	All product names changed from SYM to LSI.

Contents

Chapter 1	Using the LSI20860	
1.1	General Description	1-1
1.1.1	Features	1-1
1.1.2	Physical Environment	1-3
1.2	Installing the LSI20860	1-5
1.3	Connecting SCSI Devices	1-7
1.3.1	Internal SCSI Bus Connections	1-8
1.3.2	External SCSI Bus Connections	1-9
1.3.3	SCSI Bus Termination	1-10
1.3.4	Setting SCSI IDs	1-12
1.4	Troubleshooting	1-12

Appendix A	Glossary of Terms and Abbreviations
-------------------	--

Customer Feedback

Figures

1.1	LSI20860 Board Hardware	1-3
1.2	Inserting the Host Adapter	1-7
1.3	Internal SCSI Devices Chained Together	1-9
1.4	Multiple External Devices Chained Together	1-10
1.5	SCSI Bus Termination	1-11

Tables

1.1	Maximum Power Requirements	1-4
-----	----------------------------	-----

Chapter 1

Using the LSI20860

This chapter contains instructions and illustrations to help you install a LSI20860 PCI to Ultra SCSI host adapter board into a PCI computer system. It includes these topics:

- [Section 1.1, “General Description,” page 1-1](#)
 - [Section 1.2, “Installing the LSI20860,” page 1-5](#)
 - [Section 1.3, “Connecting SCSI Devices,” page 1-7](#)
 - [Section 1.4, “Troubleshooting,” page 1-12](#)
-

1.1 General Description

The LSI20860 provides a low-cost SCSI solution for attaching SCSI devices (disk drives, scanners, CD-ROM drivers, tape drives, removable media drives, etc.) to PCI computer systems with an ISA/EISA bracket type. The LSI20860 uses the LSI53C860 PCI to Ultra SCSI I/O Processor chip, an 80 MHz oscillator, and transfers SCSI data up to 20 Mbytes/s.

1.1.1 Features

This section provides a high level overview of the PCI Interface, the SCSI Interface, and Board Characteristics for the LSI20860.

1.1.1.1 PCI Interface

- Full 32-bit DMA bus master
- Zero wait-state bus master data bursts
- Supports 5 V

1.1.1.2 SCSI Interface

- Supports 8-bit Single-Ended (SE) signaling only
- Automatically enables SE termination
- Supports SCSI termination power (TERMPWR) source
- External: 50-pin high density; Internal: 50-pin low density connectors
- Provides Ultra SCSI synchronous transfer capability up to 20 Mbytes/s

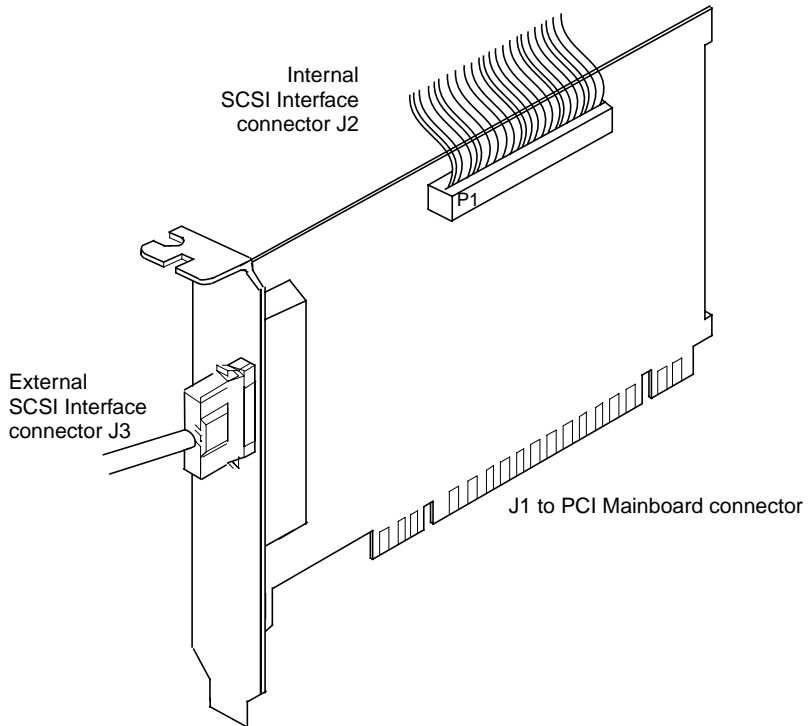
1.1.1.3 Board Requirements

- PCI board dimensions: 2.5 x 4.75 inches
- PCI 5 V signaling environment
- ISA/EISA bracket type

The Storage Device Management System (SDMS™) software includes drivers and utilities for operating this host adapter in computers. The *PCI Storage Device Management System SDMS 4.0 User's Guide* contains installation instructions for the appropriate drivers and utilities for various operating systems.

[Figure 1.1](#) shows the major components and connections of the LSI20860.

Figure 1.1 LSI20860 Board Hardware



1.1.2 Physical Environment

This section discusses the physical, electrical, thermal, and safety characteristics of the LSI20860. Additionally, this board is compliant with Class B electromagnetic standards set by the FCC.

1.1.2.1 Physical Characteristics

The dimensions of the LSI20860 are 2.5 x 4.75 inches. PCI connection is made through edge connector J1.

Internal SCSI connection is made through the 50-pin low density connector J2. External SCSI connection is made through the 50-pin high density connector J3. The J3 connector extends outside the cabinet through a bracket attached to the board and the face of the connector. The bracket is a standard ISA type with a cutout to accommodate connector J3.

The component height on the top and bottom of the board conforms to the PCI Specification.

1.1.2.2 Electrical Characteristics

The LSI20860 maximum power requirement, including SCSI TERMPWR, under normal operation is:

Table 1.1 Maximum Power Requirements

+ 5 V DC	± 5%	1.5 A	Over the operating range 5 °C to 55 °C
----------	------	-------	--

Under abnormal conditions such as a short on SCSI TERMPWR, +5 V current may be higher. At temperatures of at least 25 °C a current of 4 A is sustained no longer than 30 seconds before the self-resetting TERMPWR short circuit protection device opens.

The PCI `PRSNT1/` and `PRSNT2/` pins are set to indicate a 7.5 W maximum configuration.

1.1.2.3 Thermal, Atmospheric Characteristics

The board is designed to operate in an environment defined by the following parameters:

- Temperature range: 5 °C to 55 °C (dry bulb)
- Relative humidity range: 5% to 90% noncondensing
- Maximum dew point temperature: 32 °C
- Storage Temperature: -40 °C to +85 °C with 0 to 95% RH noncondensing 10 °C

1.1.2.4 Electromagnetic Compliance

The board is designed and implemented to minimize electromagnetic emissions, susceptibility, and the effects of electromagnetic discharge. The board meets the requirements of FCC Class B and CISPR 22 limits and is marked with the FCC Class B Declaration of Conformity Symbol. It also carries the CE mark.

1.1.2.5 Safety Characteristics

The bare board meets or exceeds the requirements of UL flammability rating 94 V0. The bare board is also marked with the supplier's name or trademark, type, and UL flammability rating. Since this board is installed in a PCI bus slot, all voltages are below the SELV 42.4 V limit.

1.2 Installing the LSI20860

For safe and proper installation, check the user's manual supplied with your computer and perform these steps.

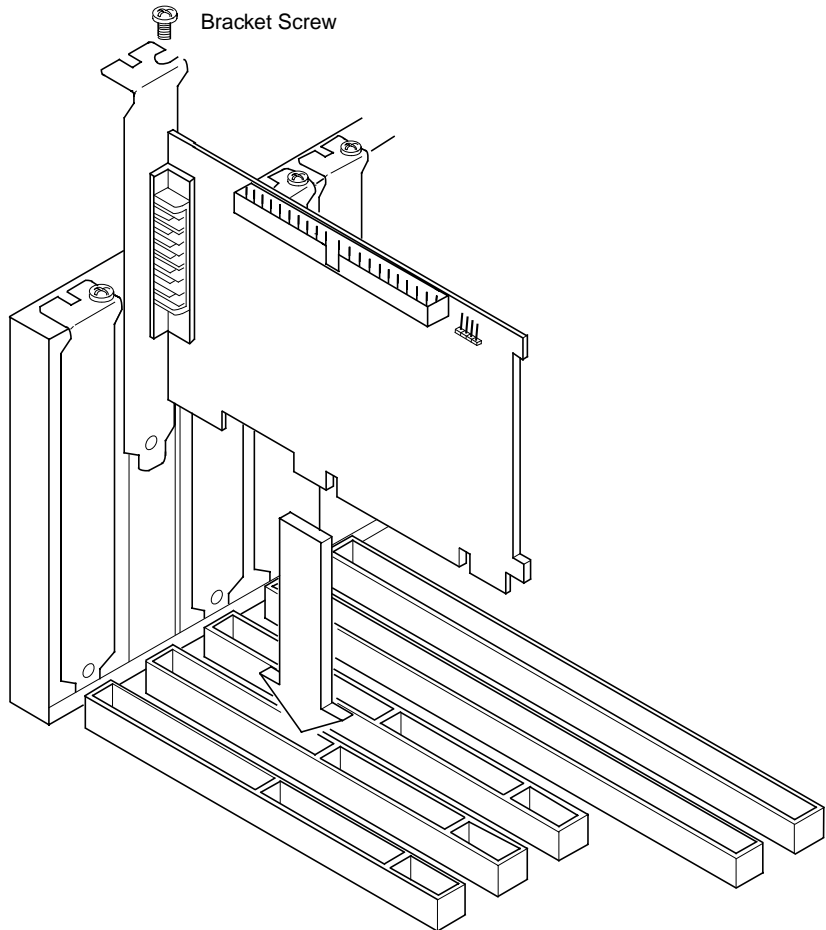
Caution: *Ground yourself* by touching a metal surface before handling boards. Static charges on your body can damage electronic components. Handle plug-in boards by the edge; do not touch board components or gold connector contacts. The use of a static group strap is recommended.

- Step 1. *Ground yourself* before removing this host adapter board. Remove the LSI20860 from the packing and check that it is not damaged. An example of this host adapter board is shown in [Figure 1.1](#).
- Step 2. Switch off and unplug the system.
- Step 3. Remove the cover on your computer to access the PCI slots. Refer to your computer documentation if necessary.
- Step 4. Locate the slots for PCI plug-in board installation. Refer to your computer documentation if necessary to locate the expansion slots. The LSI20860 requires a PCI slot that allows bus master operation. See [Figure 1.2](#).
- Step 5. Remove the blank bracket panel on the back of the computer aligned with the PCI slot you intend to use. Save the bracket screw.
- Step 6. Carefully insert edge connector J1 of the host adapter board into the PCI slot. Make sure the edge connector is properly aligned before pressing the board into place. Apply even pressure to both ends of the board while inserting it. See the example shown in [Figure 1.2](#).

Note: Notice that the components on a PCI host adapter face the opposite way from non-PCI adapter boards you have in your system. This is correct, and the board is keyed to go in only one way.

- Step 7. The bracket around the external connector J3 should fit where the blank panel was removed. Secure it with the bracket screw before making the internal and external SCSI bus connections. See [Figure 1.2](#).
- Step 8. To connect any internal SCSI device, plug a 50-pin connector on the end of the internal SCSI ribbon cable into the J2 connector.
- Step 9. Make sure the connection to the opposite end of the ribbon cable has been made to a SCSI device. See [Figure 1.3](#).
- Step 10. Replace the cabinet cover as described in the user's manual for your computer.
- Step 11. Make all external SCSI bus connections. Finally, refer to the *PCI Storage Device Management System SDMS 4.0 User's Guide* (or the guide for the software that you will use) to load the driver software for your particular operating system.

Figure 1.2 Inserting the Host Adapter



1.3 Connecting SCSI Devices

The main connections to SCSI devices involve two types of connectors:

- Internal 50-pin SCSI connector
- External 50-pin SCSI connector

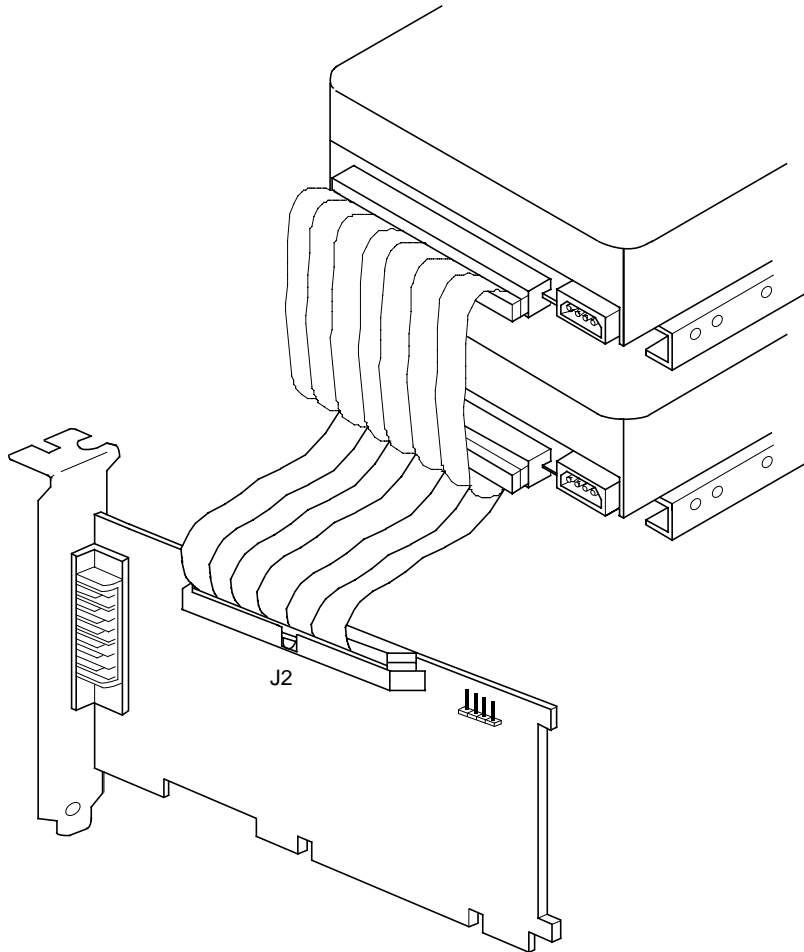
The next sections provide more detailed information.

1.3.1 Internal SCSI Bus Connections

This section provides step-by-step instructions about making internal SCSI bus connections.

- Step 1. To connect an internal SCSI device, plug the 50-pin connector on one end of the SCSI ribbon cable into the connector J2 (see [Figure 1.3](#)). The ribbon cable included in your LSI20860 kit is keyed to ensure it is connected correctly.
- Step 2. Plug the 50-pin connector on the other end of the SCSI ribbon cable into the SCSI connector on your internal SCSI device.
- Step 3. To attach more than one internal device, use an internal SCSI ribbon cable with the required number of 50-pin connectors attached along its length. Plug the cable connectors into the internal SCSI device connectors, as illustrated in [Figure 1.3](#).
- Step 4. Terminate the SCSI bus as described in the [Section 1.3.3, "SCSI Bus Termination,"](#) page 1-10.
- Step 5. Make any required power connections to your internal SCSI device(s).

Figure 1.3 Internal SCSI Devices Chained Together



1.3.2 External SCSI Bus Connections

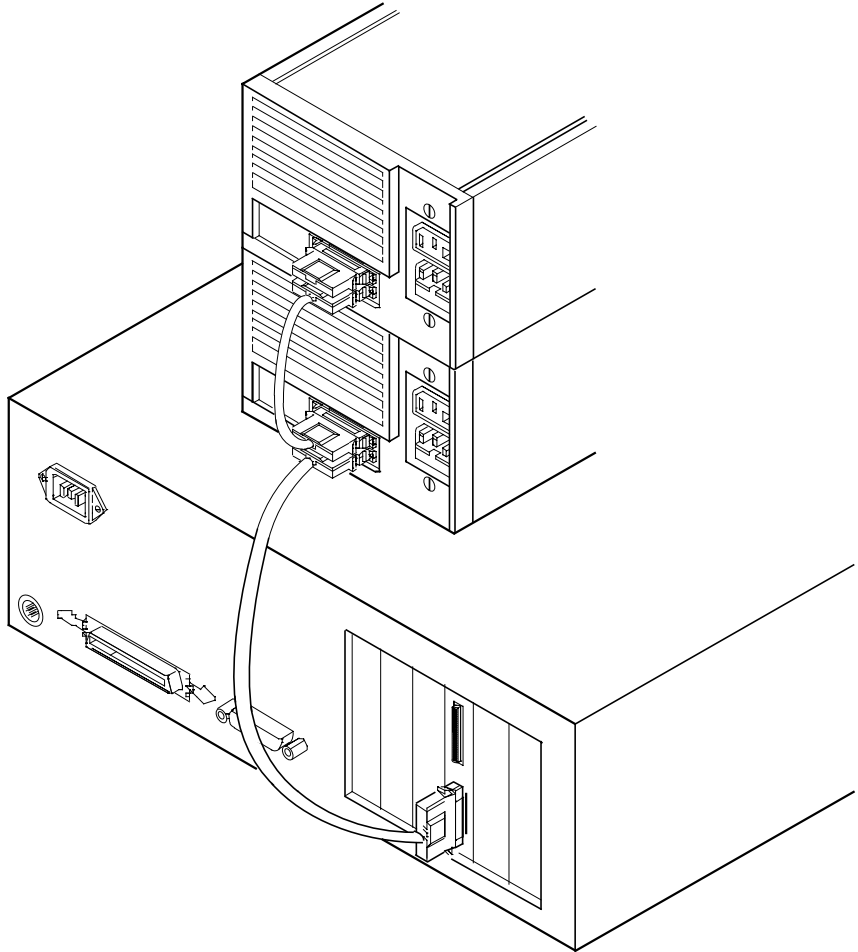
This section provides step-by-step instructions about making external SCSI bus connections.

- Step 1. To connect external SCSI devices to the LSI20860, plug the 50-pin connector on one end of a shielded SCSI cable into the host adapter SCSI connector J3.

This connector is bracketed to the back panel of your computer. [Figure 1.4](#) shows how this connection is made.

- Step 2. Plug the 50-pin connector on the other end of the SCSI cable into the SCSI connector on the peripheral device. This connection is shown in [Figure 1.4](#).
- Step 3. To connect more than one device to the LSI20860, use shielded cables to chain them together as illustrated in [Figure 1.4](#).

Figure 1.4 Multiple External Devices Chained Together



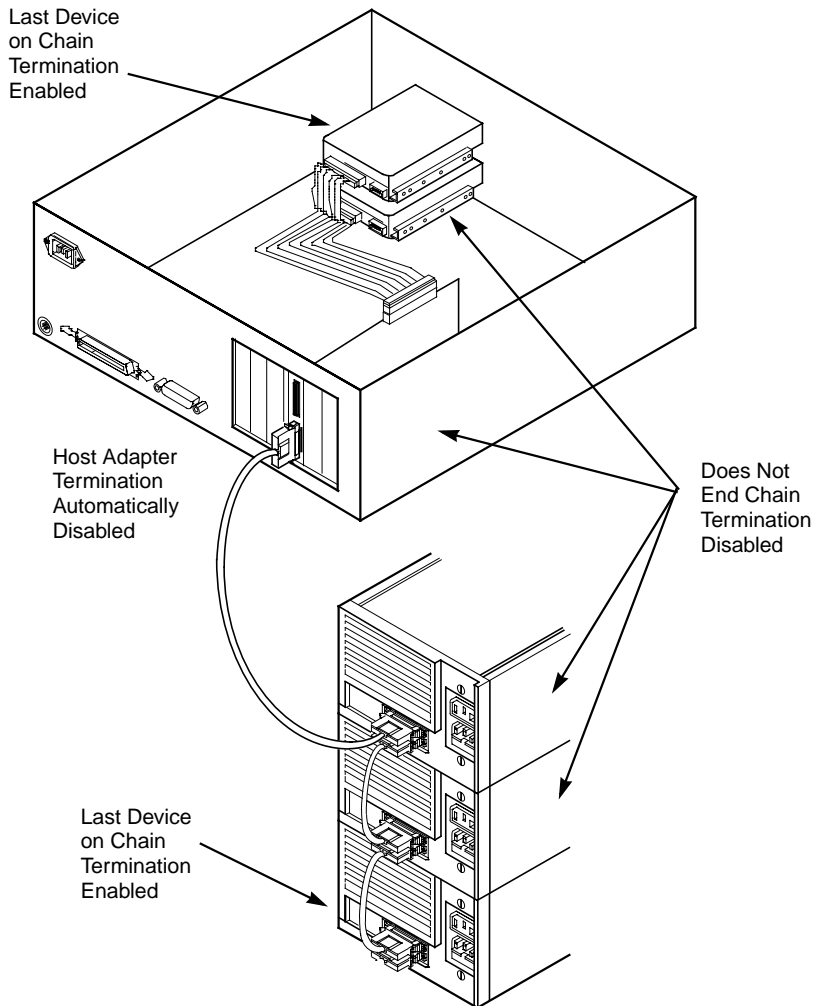
1.3.3 SCSI Bus Termination

All SCSI devices have a set of resistors called terminators to assure reliable operation of the SCSI bus. The devices making up the SCSI bus

are connected serially (chained together) with SCSI cables. The first and last physical devices connected on the ends of the SCSI bus must have their terminators enabled. All other SCSI devices on the bus must have their terminators removed or disabled.

Termination on the LSI20860 is automatically enabled when it is connected to the end of the bus. Refer to the SCSI device documentation for information on how to identify and change the terminator setting on each SCSI peripheral device.

Figure 1.5 SCSI Bus Termination



1.3.4 Setting SCSI IDs

Each device on the SCSI bus, including the host adapter, must have a unique SCSI ID from 0 through 7. SCSI ID 7 is the preset host adapter setting, giving it the highest priority on the SCSI bus. Refer to your peripheral device documentation for instructions on how to determine and change the ID of each peripheral device.

Caution: The LSI20860 supports only SE SCSI devices. Differential SCSI devices may be damaged if you connect them to this host adapter. Refer to your SCSI device documentation to make sure you are connecting an SE device.

1.4 Troubleshooting

Some potential problems and their suggested solutions are:

During installation, no SCSI devices are found.

1. Check the cable connections and the host bus adapter installation.
2. Ensure that all devices are powered on and terminated correctly.
3. Check that no devices have duplicate SCSI IDs.
4. Make sure INT A is assigned for the PCI slot(s) where your SCSI host adapter(s) are installed.
5. Make sure the SCSI device driver is installed properly.

The computer hangs or locks up when booting and the SCSI devices attached are not seen by the computer system.

1. Make sure that all the SCSI devices are configured at different ID numbers (the boot drive should have the lowest ID).
2. Make sure both ends, but only the ends, of the SCSI bus are terminated.
3. Make sure the device driver for DOS and OS/2 are listed in the `CONFIG.SYS` file and loaded when booting.

The device driver does not see one of the SCSI devices.

1. Reboot the computer.
2. Make sure the SCSI devices have different ID numbers (the boot drive should have the lowest ID).
3. Make sure both ends, but only the ends, of the SCSI bus are terminated.
4. Check the cable and power connections.

Appendix A

Glossary of Terms and Abbreviations

Bus	A collection of unbroken signal lines across which information is transmitted from one part of a computer system to another. Connections to the bus are made using taps or connectors on the lines.
Bus Mastering	A high-performance way to transfer data. The host adapter controls the transfer of data directly to and from system memory without bothering the computer's microprocessor. This is the fastest way for multitasking operating systems to transfer data.
Byte	A unit of information consisting of eight bits.
Chain	In computers, the linking together of two or more SCSI devices so that they are dependent upon one another for operation.
Daisy Chain	A set of SCSI devices connected in a series. When devices are daisy-chained to a microcomputer, the first device is connected to the computer, the second device is connected to the first, and so on down the line.
Device Driver	A program that allows a microprocessor (through the operating system) to direct the operation of a peripheral device.
External SCSI Device	A SCSI device installed outside the computer cabinet. These devices are connected in a continuous chain using specific types of shielded cables.
FCC	Federal Communications Commission.
File	A named collection of information stored on a disk.
Hard Disk	A disk made of metal and permanently sealed into a drive cartridge. A hard disk can store very large amounts of information.
Host	The computer system in which a SCSI host adapter is installed. It uses the SCSI host adapter to transfer information to and from devices attached to the SCSI bus.

Host Adapter	A circuit board or integrated circuit that provides a SCSI bus connection to the computer system.
Internal SCSI Device	A SCSI device installed inside the computer cabinet. These devices are connected in a continuous chain using an unshielded ribbon cable.
IRQ	Interrupt Request Channel. A path through which a device can get the immediate attention of the computer's CPU. The PCI bus assigns an IRQ path for each SCSI host adapter.
Local Bus	A way to connect peripherals directly to computer memory. It bypasses the slower ISA and EISA buses. PCI is a local bus standard.
Mainboard	A large circuit board that holds RAM, ROM, the microprocessor, custom integrated circuits, and other components that make a computer work. It also has expansion slots for host adapters and other expansion boards.
Main Memory	The part of a computer's memory which is directly accessible by the CPU (usually synonymous with RAM).
Motherboard	See Mainboard. In some countries, the term Motherboard is not appropriate.
Operating System (OS)	A program that organizes the internal activities of the computer and its peripheral devices. An operating system performs basic tasks such as moving data to and from devices, and managing information in memory. It also provides the user interface.
PCI	Peripheral Component Interconnect. A local bus specification that allows connection of peripherals directly to computer memory. It bypasses the slower ISA and EISA buses.
Peripheral Devices	A piece of hardware (such as a video monitor, disk drive, printer, or CD-ROM) used with a computer and under the computer's control. SCSI peripherals are controlled through a SCSI host adapter.
Pin-1 Orientation	The alignment of pin 1 on a SCSI cable connector and the pin-1 position on the SCSI connector into which it is inserted. External SCSI cables are always keyed to ensure proper alignment. Internal SCSI ribbon cables are sometimes not keyed, although they may have a colored strip indicating pin 1.
Port Address	Also Port Number. The address through which commands are sent to a host adapter board. This address is assigned by the PCI bus.

Port Number	See Port Address.
RAM	Random Access Memory. The computer's primary working memory in which program instructions and data are stored and are accessible to the CPU. Information can be written to and read from RAM. The contents of RAM are lost when the computer is turned off.
ROM	Read Only Memory. Memory from which information can be read but not changed. The contents of ROM are not erased when the computer is turned off.
SCSI	Small Computer System Interface. A specification for a high-performance peripheral bus and command set. The original standard is referred to as SCSI-1.
SCSI-2	The current SCSI specification which adds features to the original SCSI-1 standard.
SCSI Bus	A host adapter and one or more SCSI peripherals connected by cables in a linear chain configuration. The host adapter may exist anywhere on the chain, allowing connection of both internal and external SCSI devices. A system may have more than one SCSI bus by using multiple host adapters.
SCSI Device	Any device that conforms to the SCSI standard and is attached to the SCSI bus by a SCSI cable. This includes SCSI host adapters and SCSI peripherals.
SCSI ID	A way to uniquely identify each SCSI device on the SCSI bus. Each SCSI bus has eight available SCSI IDs numbered 0 through 7 (or 0 through 15 for Wide SCSI). The host adapter usually gets ID 7 giving it priority to control the bus.
SDMS	Storage Device Management System. An LSI Logic software product that manages SCSI system I/O.
STA	SCSI Trade Association. A group of companies that cooperate to promote SCSI parallel interface technology as a viable mainstream I/O interconnect for commercial computing. Refer to their web site at www.scsita.org for more detailed information.

Single-Ended SCSI	A hardware specification for connecting SCSI devices. It references each SCSI signal to a common ground. This is the most common method (as opposed to differential SCSI which uses a separate ground for each signal).
Termination	The electrical connection required at each end of the SCSI bus, composed of a set of resistors. It improves the integrity of bus signals.
Ultra SCSI	A standard for SCSI data transfers. It allows a data transfer rate of up to 20 Mbytes/s over an 8-bit SCSI bus and up to 40 Mbytes/s over a 16-bit SCSI bus. The SCSI Trade Association (STA) supports using the term "Ultra SCSI" over the term "Fast-20".

Customer Feedback

We would appreciate your feedback on this document. Please copy the following page, add your comments, and fax it to us at the number shown.

If appropriate, please also fax copies of any marked-up pages from this document.

Important: Please include your name, phone number, fax number, and company address so that we may contact you directly for clarification or additional information.

Thank you for your help in improving the quality of our documents.

Reader's Comments

Fax your comments to: LSI Logic Corporation
Technical Publications
M/S E-198
Fax: 408.433.4333

Please tell us how you rate this document: *LSI20860 PCI to Ultra SCSI Host Adapter User's Guide*. Place a check mark in the appropriate blank for each category.

	Excellent	Good	Average	Fair	Poor
Completeness of information	_____	_____	_____	_____	_____
Clarity of information	_____	_____	_____	_____	_____
Ease of finding information	_____	_____	_____	_____	_____
Technical content	_____	_____	_____	_____	_____
Usefulness of examples and illustrations	_____	_____	_____	_____	_____
Overall manual	_____	_____	_____	_____	_____

What could we do to improve this document?

If you found errors in this document, please specify the error and page number. If appropriate, please fax a marked-up copy of the page(s).

Please complete the information below so that we may contact you directly for clarification or additional information.

Name _____ Date _____

Telephone _____ Fax _____

Title _____

Department _____ Mail Stop _____

Company Name _____

Street _____

City, State, Zip _____

U.S. Distributors by State

A. E. Avnet Electronics
<http://www.hh.avnet.com>
B. M. Bell Microproducts,
Inc. (for HAB's)
<http://www.bellmicro.com>
I. E. Insight Electronics
<http://www.insight-electronics.com>
W. E. Wyle Electronics
<http://www.wyle.com>

Alabama

Daphne
I. E. Tel: 334.626.6190
Huntsville
A. E. Tel: 256.837.8700
B. M. Tel: 256.705.3559
I. E. Tel: 256.830.1222
W. E. Tel: 800.964.9953

Alaska

A. E. Tel: 800.332.8638

Arizona

Phoenix
A. E. Tel: 480.736.7000
B. M. Tel: 602.267.9551
W. E. Tel: 800.528.4040
Tempe
I. E. Tel: 480.829.1800
Tucson
A. E. Tel: 520.742.0515

Arkansas

W. E. Tel: 972.235.9953

California

Agoura Hills
B. M. Tel: 818.865.0266
Granite Bay
B. M. Tel: 916.523.7047
Irvine
A. E. Tel: 949.789.4100
B. M. Tel: 949.470.2900
I. E. Tel: 949.727.3291
W. E. Tel: 800.626.9953
Los Angeles
A. E. Tel: 818.594.0404
W. E. Tel: 800.288.9953
Sacramento
A. E. Tel: 916.632.4500
W. E. Tel: 800.627.9953
San Diego
A. E. Tel: 858.385.7500
B. M. Tel: 858.597.3010
I. E. Tel: 800.677.6011
W. E. Tel: 800.829.9953
San Jose
A. E. Tel: 408.435.3500
B. M. Tel: 408.436.0881
I. E. Tel: 408.952.7000
Santa Clara
W. E. Tel: 800.866.9953
Woodland Hills
A. E. Tel: 818.594.0404
Westlake Village
I. E. Tel: 818.707.2101

Colorado

Denver
A. E. Tel: 303.790.1662
B. M. Tel: 303.846.3065
W. E. Tel: 800.933.9953
Englewood
I. E. Tel: 303.649.1800
Idaho Springs
B. M. Tel: 303.567.0703

Connecticut

Cheshire
A. E. Tel: 203.271.5700
I. E. Tel: 203.272.5843
Wallingford
W. E. Tel: 800.605.9953

Delaware

North/South
A. E. Tel: 800.526.4812
Tel: 800.638.5988
B. M. Tel: 302.328.8968
W. E. Tel: 856.439.9110

Florida

Altamonte Springs
B. M. Tel: 407.682.1199
I. E. Tel: 407.834.6310
Boca Raton
I. E. Tel: 561.997.2540
Bonita Springs
B. M. Tel: 941.498.6011
Clearwater
I. E. Tel: 727.524.8850
Fort Lauderdale
A. E. Tel: 954.484.5482
W. E. Tel: 800.568.9953
Miami
B. M. Tel: 305.477.6406
Orlando
A. E. Tel: 407.657.3300
W. E. Tel: 407.740.7450
Tampa
W. E. Tel: 800.395.9953
St. Petersburg
A. E. Tel: 727.507.5000

Georgia

Atlanta
A. E. Tel: 770.623.4400
B. M. Tel: 770.980.4922
W. E. Tel: 800.876.9953
Duluth
I. E. Tel: 678.584.0812

Hawaii

A. E. Tel: 800.851.2282

Idaho

A. E. Tel: 801.365.3800
W. E. Tel: 801.974.9953

Illinois

North/South
A. E. Tel: 847.797.7300
Tel: 314.291.5350
Chicago
B. M. Tel: 847.413.8530
W. E. Tel: 800.853.9953
Schaumburg
I. E. Tel: 847.885.9700

Indiana

Fort Wayne
I. E. Tel: 219.436.4250
W. E. Tel: 888.358.9953
Indianapolis
A. E. Tel: 317.575.3500

Iowa

W. E. Tel: 612.853.2280
Cedar Rapids
A. E. Tel: 319.393.0033

Kansas

W. E. Tel: 303.457.9953
Kansas City
A. E. Tel: 913.663.7900
Lenexa
I. E. Tel: 913.492.0408

Kentucky

W. E. Tel: 937.436.9953
Central/Northern/ Western
A. E. Tel: 800.984.9503
Tel: 800.767.0329
Tel: 800.829.0146

Louisiana

W. E. Tel: 713.854.9953
North/South
A. E. Tel: 800.231.0253
Tel: 800.231.5775

Maine

A. E. Tel: 800.272.9255
W. E. Tel: 781.271.9953

Maryland

Baltimore
A. E. Tel: 410.720.3400
W. E. Tel: 800.863.9953
Columbia
B. M. Tel: 800.673.7461
I. E. Tel: 410.381.3131

Massachusetts

Boston
A. E. Tel: 978.532.9808
W. E. Tel: 800.444.9953
Burlington
I. E. Tel: 781.270.9400
Marlborough
B. M. Tel: 800.673.7459
Woburn
B. M. Tel: 800.552.4305

Michigan

Brighton
I. E. Tel: 810.229.7710
Detroit
A. E. Tel: 734.416.5800
W. E. Tel: 888.318.9953
Clarkston
B. M. Tel: 877.922.9363

Minnesota

Champlin
B. M. Tel: 800.557.2566
Eden Prairie
B. M. Tel: 800.255.1469
Minneapolis
A. E. Tel: 612.346.3000
W. E. Tel: 800.860.9953
St. Louis Park
I. E. Tel: 612.525.9999

Mississippi

A. E. Tel: 800.633.2918
W. E. Tel: 256.830.1119

Missouri

W. E. Tel: 630.620.0969
St. Louis
A. E. Tel: 314.291.5350
I. E. Tel: 314.872.2182

Montana

A. E. Tel: 800.526.1741
W. E. Tel: 801.974.9953

Nebraska

A. E. Tel: 800.332.4375
W. E. Tel: 303.457.9953

Nevada

Las Vegas
A. E. Tel: 800.528.8471
W. E. Tel: 702.765.7117

New Hampshire

A. E. Tel: 800.272.9255
W. E. Tel: 781.271.9953

New Jersey

North/South
A. E. Tel: 201.515.1641
Tel: 609.222.6400
Mt. Laurel
I. E. Tel: 856.222.9566
Pine Brook
B. M. Tel: 973.244.9668
W. E. Tel: 800.862.9953
Parsippany
I. E. Tel: 973.299.4425
Wayne
W. E. Tel: 973.237.9010

New Mexico

W. E. Tel: 480.804.7000
Albuquerque
A. E. Tel: 505.293.5119

**U.S. Distributors
by State
(Continued)**

New York

Hauppauge
I. E. Tel: 516.761.0960
Long Island
A. E. Tel: 516.434.7400
W. E. Tel: 800.861.9953
Rochester
A. E. Tel: 716.475.9130
I. E. Tel: 716.242.7790
W. E. Tel: 800.319.9953
Smithtown
B. M. Tel: 800.543.2008
Syracuse
A. E. Tel: 315.449.4927

North Carolina

Raleigh
A. E. Tel: 919.859.9159
I. E. Tel: 919.873.9922
W. E. Tel: 800.560.9953

North Dakota

A. E. Tel: 800.829.0116
W. E. Tel: 612.853.2280

Ohio

Cleveland
A. E. Tel: 216.498.1100
W. E. Tel: 800.763.9953
Dayton
A. E. Tel: 614.888.3313
I. E. Tel: 937.253.7501
W. E. Tel: 800.575.9953
Strongsville
B. M. Tel: 440.238.0404
Valley View
I. E. Tel: 216.520.4333

Oklahoma

W. E. Tel: 972.235.9953
Tulsa
A. E. Tel: 918.459.6000
I. E. Tel: 918.665.4664

Oregon

Beaverton
B. M. Tel: 503.524.1075
I. E. Tel: 503.644.3300
Portland
A. E. Tel: 503.526.6200
W. E. Tel: 800.879.9953

Pennsylvania

Mercer
I. E. Tel: 412.662.2707
Philadelphia
A. E. Tel: 800.526.4812
B. M. Tel: 877.351.2355
W. E. Tel: 800.871.9953
Pittsburgh
A. E. Tel: 412.281.4150
W. E. Tel: 440.248.9996

Rhode Island

A. E. 800.272.9255
W. E. Tel: 781.271.9953

South Carolina

A. E. Tel: 919.872.0712
W. E. Tel: 919.469.1502

South Dakota

A. E. Tel: 800.829.0116
W. E. Tel: 612.853.2280

Tennessee

W. E. Tel: 256.830.1119
East/West
A. E. Tel: 800.241.8182
Tel: 800.633.2918

Texas

Arlington
B. M. Tel: 817.417.5993
Austin
A. E. Tel: 512.219.3700
B. M. Tel: 512.258.0725
I. E. Tel: 512.719.3090
W. E. Tel: 800.365.9953
Dallas
A. E. Tel: 214.553.4300
B. M. Tel: 972.783.4191
W. E. Tel: 800.955.9953
El Paso
A. E. Tel: 800.526.9238
Houston
A. E. Tel: 713.781.6100
B. M. Tel: 713.917.0663
W. E. Tel: 800.888.9953
Richardson
I. E. Tel: 972.783.0800
Rio Grande Valley
A. E. Tel: 210.412.2047
Stafford
I. E. Tel: 281.277.8200

Utah

Centerville
B. M. Tel: 801.295.3900
Murray
I. E. Tel: 801.288.9001
Salt Lake City
A. E. Tel: 801.365.3800
W. E. Tel: 800.477.9953

Vermont

A. E. Tel: 800.272.9255
W. E. Tel: 716.334.5970

Virginia

A. E. Tel: 800.638.5988
W. E. Tel: 301.604.8488
Haymarket
B. M. Tel: 703.754.3399
Springfield
B. M. Tel: 703.644.9045

Washington

Kirkland
I. E. Tel: 425.820.8100
Maple Valley
B. M. Tel: 206.223.0080
Seattle
A. E. Tel: 425.882.7000
W. E. Tel: 800.248.9953

West Virginia

A. E. Tel: 800.638.5988

Wisconsin

Milwaukee
A. E. Tel: 414.513.1500
W. E. Tel: 800.867.9953
Wauwatosa
I. E. Tel: 414.258.5338

Wyoming

A. E. Tel: 800.332.9326
W. E. Tel: 801.974.9953

Direct Sales Representatives by State (Components and Boards)

E. A. Earle Associates
E. L. Electrodyne - UT
GRP Group 2000
I. S. Infinity Sales, Inc.
ION ION Associates, Inc.
R. A. Rathsburg Associates, Inc.
SGY Synergy Associates, Inc.

Arizona

Tempe
E. A. Tel: 480.921.3305

California

Calabasas
I. S. Tel: 818.880.6480
Irvine
I. S. Tel: 714.833.0300
San Diego
E. A. Tel: 619.278.5441

Illinois

Elmhurst
R. A. Tel: 630.516.8400

Indiana

Cicero
R. A. Tel: 317.984.8608
Ligonier
R. A. Tel: 219.894.3184
Plainfield
R. A. Tel: 317.838.0360

Massachusetts

Burlington
SGY Tel: 781.238.0870

Michigan

Byron Center
R. A. Tel: 616.554.1460
Good Rich
R. A. Tel: 810.636.6060
Novi
R. A. Tel: 810.615.4000

North Carolina

Cary
GRP Tel: 919.481.1530

Ohio

Columbus
R. A. Tel: 614.457.2242
Dayton
R. A. Tel: 513.291.4001
Independence
R. A. Tel: 216.447.8825

Pennsylvania

Somerset
R. A. Tel: 814.445.6976

Texas

Austin
ION Tel: 512.794.9006
Arlington
ION Tel: 817.695.8000
Houston
ION Tel: 281.376.2000

Utah

Salt Lake City
E. L. Tel: 801.264.8050

Wisconsin

Muskego
R. A. Tel: 414.679.8250
Saukville
R. A. Tel: 414.268.1152

Sales Offices and Design Resource Centers

**LSI Logic Corporation
Corporate Headquarters**
1551 McCarthy Blvd
Milpitas CA 95035
Tel: 408.433.8000
Fax: 408.433.8989

NORTH AMERICA

California

Irvine
18301 Von Karman Ave
Suite 900
Irvine, CA 92612
◆ Tel: 949.809.4600
Fax: 949.809.4444

Pleasanton Design Center
5050 Hopyard Road, 3rd Floor
Suite 300
Pleasanton, CA 94588
Tel: 925.730.8800
Fax: 925.730.8700

San Diego

7585 Ronson Road
Suite 100
San Diego, CA 92111
Tel: 858.467.6981
Fax: 858.496.0548

Silicon Valley

1551 McCarthy Blvd
Sales Office
M/S C-500
◆ Milpitas, CA 95035
Tel: 408.433.8000
Fax: 408.954.3353
Design Center
M/S C-410
Tel: 408.433.8000
Fax: 408.433.7695

Wireless Design Center

11452 El Camino Real
Suite 210
San Diego, CA 92130
Tel: 858.350.5560
Fax: 858.350.0171

Colorado

Boulder
4940 Pearl East Circle
Suite 201
◆ Boulder, CO 80301
Tel: 303.447.3800
Fax: 303.541.0641

Colorado Springs

4420 Arrowswest Drive
Colorado Springs, CO 80907
Tel: 719.533.7000
Fax: 719.533.7020

Fort Collins
2001 Danfield Court
Fort Collins, CO 80525
Tel: 970.223.5100
Fax: 970.206.5549

Florida

Boca Raton
2255 Glades Road
Suite 324A
Boca Raton, FL 33431
Tel: 561.989.3236
Fax: 561.989.3237

Georgia

Alpharetta
2475 North Winds Parkway
Suite 200
Alpharetta, GA 30004
Tel: 770.753.6146
Fax: 770.753.6147

Illinois

Oakbrook Terrace
Two Mid American Plaza
Suite 800
Oakbrook Terrace, IL 60181
Tel: 630.954.2234
Fax: 630.954.2235

Kentucky

Bowling Green
1262 Chestnut Street
Bowling Green, KY 42101
Tel: 270.793.0010
Fax: 270.793.0040

Maryland

Bethesda
6903 Rockledge Drive
Suite 230
Bethesda, MD 20817
Tel: 301.897.5800
Fax: 301.897.8389

Massachusetts

Waltham
200 West Street
Waltham, MA 02451
◆ Tel: 781.890.0180
Fax: 781.890.6158

Burlington - Mint Technology

77 South Bedford Street
Burlington, MA 01803
Tel: 781.685.3800
Fax: 781.685.3801

Minnesota

Minneapolis
8300 Norman Center Drive
Suite 730
◆ Minneapolis, MN 55437
Tel: 612.921.8300
Fax: 612.921.8399

New Jersey

Red Bank
125 Half Mile Road
Suite 200
Red Bank, NJ 07701
Tel: 732.933.2656
Fax: 732.933.2643

Cherry Hill - Mint Technology

215 Longstone Drive
Cherry Hill, NJ 08003
Tel: 856.489.5530
Fax: 856.489.5531

New York

Fairport
550 Willowbrook Office Park
Fairport, NY 14450
Tel: 716.218.0020
Fax: 716.218.9010

North Carolina

Raleigh
Phase II
4601 Six Forks Road
Suite 528
Raleigh, NC 27609
Tel: 919.785.4520
Fax: 919.783.8909

Oregon

Beaverton
15455 NW Greenbrier Parkway
Suite 235
Beaverton, OR 97006
Tel: 503.645.0589
Fax: 503.645.6612

Texas

Austin
9020 Capital of TX Highway North
Building 1
Suite 150
Austin, TX 78759
Tel: 512.388.7294
Fax: 512.388.4171

Plano

500 North Central Expressway
Suite 440
◆ Plano, TX 75074
Tel: 972.244.5000
Fax: 972.244.5001

Houston

20405 State Highway 249
Suite 450
Houston, TX 77070
Tel: 281.379.7800
Fax: 281.379.7818

Canada

Ontario
Ottawa
260 Hearst Way
Suite 400
Kanata, ON K2L 3H1
◆ Tel: 613.592.1263
Fax: 613.592.3253

INTERNATIONAL

France

Paris
LSI Logic S.A.
Immeuble Europe
53 bis Avenue de l'Europe
B.P. 139
78148 Velizy-Villacoublay
Cedex, Paris
◆ Tel: 33.1.34.63.13.13
Fax: 33.1.34.63.13.19

Germany

Munich
LSI Logic GmbH
Orleansstrasse 4
81669 Munich
◆ Tel: 49.89.4.58.33.0
Fax: 49.89.4.58.33.108

Stuttgart

Mittlerer Pfad 4
D-70499 Stuttgart
◆ Tel: 49.711.13.96.90
Fax: 49.711.86.61.428

Italy

Milan
LSI Logic S.P.A.
Centro Direzionale Colleoni Palazzo
Orione Ingresso 1
20041 Agrate Brianza, Milano
◆ Tel: 39.039.687371
Fax: 39.039.6057867

Japan

Tokyo
LSI Logic K.K.
Rivage-Shinagawa Bldg. 14F
4-1-8 Kounan
Minato-ku, Tokyo 108-0075
◆ Tel: 81.3.5463.7821
Fax: 81.3.5463.7820

Osaka

Crystal Tower 14F
1-2-27 Shiromi
Chuo-ku, Osaka 540-6014
◆ Tel: 81.6.947.5281
Fax: 81.6.947.5287

Sales Offices and Design Resource Centers (Continued)

Korea

Seoul

LSI Logic Corporation of Korea Ltd

10th Fl., Haesung 1 Bldg.
942, Daechi-dong,
Kangnam-ku, Seoul, 135-283
Tel: 82.2.528.3400
Fax: 82.2.528.2250

The Netherlands

Eindhoven

LSI Logic Europe Ltd

World Trade Center Eindhoven
Building 'Rijder'
Bogert 26
5612 LZ Eindhoven
Tel: 31.40.265.3580
Fax: 31.40.296.2109

Singapore

Singapore

LSI Logic Pte Ltd

7 Temasek Boulevard
#28-02 Suntec Tower One
Singapore 038987
Tel: 65.334.9061
Fax: 65.334.4749

Sweden

Stockholm

LSI Logic AB

Finlandsgatan 14
164 74 Kista
◆ Tel: 46.8.444.15.00
Fax: 46.8.750.66.47

Taiwan

Taipei

LSI Logic Asia, Inc.

Taiwan Branch

10/F 156 Min Sheng E. Road
Section 3
Taipei, Taiwan R.O.C.
Tel: 886.2.2718.7828
Fax: 886.2.2718.8869

United Kingdom

Bracknell

LSI Logic Europe Ltd

Greenwood House
London Road
Bracknell, Berkshire RG12 2UB
◆ Tel: 44.1344.426544
Fax: 44.1344.481039

◆ Sales Offices with
Design Resource Centers

International Distributors

Australia

New South Wales
Reptechnic Pty Ltd
3/36 Bydown Street
Neutral Bay, NSW 2089
◆ Tel: 612.9953.9844
Fax: 612.9953.9683

Belgium

Acal nv/sa
Lozenberg 4
1932 Zaventem
Tel: 32.2.7205983
Fax: 32.2.7251014

China

Beijing
LSI Logic International Services Inc.
Beijing Representative Office
Room 708
Canway Building
66 Nan Li Shi Lu
Xicheng District
Beijing 100045, China
Tel: 86.10.6804.2534 to 38
Fax: 86.10.6804.2521

France

Rungis Cedex
Azzurri Technology France
22 Rue Saarinen
Sillic 274
94578 Rungis Cedex
Tel: 33.1.41806310
Fax: 33.1.41730340

Germany

Haar
EBV Elektronik
Hans-Pinsel Str. 4
D-85540 Haar
Tel: 49.89.4600980
Fax: 49.89.46009840

Munich

Avnet Emg GmbH
Stahlgruberring 12
81829 Munich
Tel: 49.89.45110102
Fax: 49.89.42.27.75

Wuennenberg-Haaren

Peacock AG
Graf-Zeppelin-Str 14
D-33181 Wuennenberg-Haaren
Tel: 49.2957.79.1692
Fax: 49.2957.79.9341

Hong Kong

Hong Kong
AVT Industrial Ltd
Unit 608 Tower 1
Cheung Sha Wan Plaza
833 Cheung Sha Wan Road
Kowloon, Hong Kong
Tel: 852.2428.0008
Fax: 852.2401.2105

Serial System (HK) Ltd

2301 Nanyang Plaza
57 Hung To Road, Kwun Tong
Kowloon, Hong Kong
Tel: 852.2995.7538
Fax: 852.2950.0386

India

Bangalore
Spike Technologies India Private Ltd
951, Vijayalakshmi Complex,
2nd Floor, 24th Main,
J P Nagar II Phase,
Bangalore, India 560078
◆ Tel: 91.80.664.5530
Fax: 91.80.664.9748

Israel

Tel Aviv
Eastronics Ltd
11 Rozanis Street
P.O. Box 39300
Tel Aviv 61392
Tel: 972.3.6458777
Fax: 972.3.6458666

Japan

Tokyo
Daito Electron
Sogo Kojimachi No.3 Bldg
1-6 Kojimachi
Chiyoda-ku, Tokyo 102-8730
Tel: 81.3.3264.0326
Fax: 81.3.3261.3984

Global Electronics Corporation

Nichibei Time24 Bldg. 35 Tansu-cho
Shinjuku-ku, Tokyo 162-0833
Tel: 81.3.3260.1411
Fax: 81.3.3260.7100
Technical Center
Tel: 81.471.43.8200

Marubeni Solutions

1-26-20 Higashi
Shibuya-ku, Tokyo 150-0001
Tel: 81.3.5778.8662
Fax: 81.3.5778.8669

Shinki Electronics

Myuru Daikanyama 3F
3-7-3 Ebisu Minami
Shibuya-ku, Tokyo 150-0022
Tel: 81.3.3760.3110
Fax: 81.3.3760.3101

Yokohama-City

Innotech
2-15-10 Shin Yokohama
Kohoku-ku
Yokohama-City, 222-8580
Tel: 81.45.474.9037
Fax: 81.45.474.9065

Macnica Corporation

Hakusan High-Tech Park
1-22-2 Hadusan, Midori-Ku,
Yokohama-City, 226-8505
Tel: 81.45.939.6140
Fax: 81.45.939.6141

The Netherlands

Eindhoven
Acal Nederland b.v.
Beatrix de Rijkweg 8
5657 EG Eindhoven
Tel: 31.40.2.502602
Fax: 31.40.2.510255

Switzerland

Brugg
LSI Logic Sulzer AG
Mattenstrasse 6a
CH 2555 Brugg
Tel: 41.32.3743232
Fax: 41.32.3743233

Taiwan

Taipei
Avnet-Mercuries Corporation, Ltd
14F, No. 145,
Sec. 2, Chien Kuo N. Road
Taipei, Taiwan, R.O.C.
Tel: 886.2.2516.7303
Fax: 886.2.2505.7391

Lumax International Corporation, Ltd

7th Fl., 52, Sec. 3
Nan-Kang Road
Taipei, Taiwan, R.O.C.
Tel: 886.2.2788.3656
Fax: 886.2.2788.3568

Prospect Technology Corporation, Ltd

4Fl., No. 34, Chu Luen Street
Taipei, Taiwan, R.O.C.
Tel: 886.2.2721.9533
Fax: 886.2.2773.3756

Wintech Microelectronics Co., Ltd

7F, No. 34, Sec. 3, Pateh Road
Taipei, Taiwan, R.O.C.
Tel: 886.2.2579.5858
Fax: 886.2.2570.3123

United Kingdom

Maidenhead
Azzurri Technology Ltd
16 Grove Park Business Estate
Waltham Road
White Waltham
Maidenhead, Berkshire SL6 3LW
Tel: 44.1628.826826
Fax: 44.1628.829730

Milton Keynes

Ingram Micro (UK) Ltd
Garamonde Drive
Wymbush
Milton Keynes
Buckinghamshire MK8 8DF
Tel: 44.1908.260422

Swindon

EBV Elektronik
12 Interface Business Park
Bincknoll Lane
Wootton Bassett,
Swindon, Wiltshire SN4 8SY
Tel: 44.1793.849933
Fax: 44.1793.859555

◆ Sales Offices with
Design Resource Centers