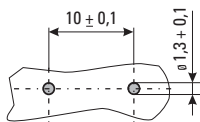


## Holder / No. 652

Not for new designs - refer to No. 852 and 853

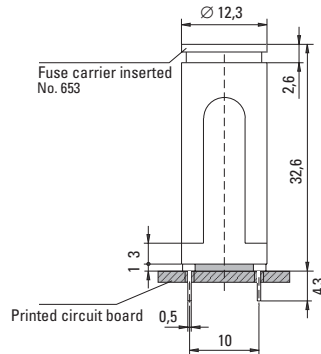


**Vertical / 2-Pin**



Holes in the printed circuit board: 1,3 + 0,1

## PC Mount, Shocksafe 5x20mm Fuses



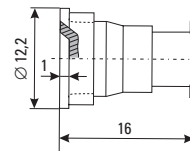
## Cap / No. 653



**Flush Mount Type**

**Design 07: without silicon washer (IP 40)**

**Design 04: with silicon washer (IP 54)**  
between holder and cap



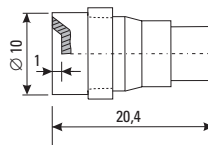
## Cap / No. 655



**Finger Grip Type**

**Design 07: without silicon washer (IP 40)**

**Design 04: with silicon washer (IP 54)**  
between holder and cap



## Order Information

### Packaging

Bulk (100 pcs.)

### Order Numbers

Holder	No. 652 0000 040
Cap, Flush Mount, IP 40	No. 653 0000 070
Cap, Flush Mount, IP 54	No. 653 0000 040
Cap, Finger Grip, IP 40	No. 655 0000 070
Cap, Finger Grip, IP 54	No. 655 0000 040

Specifications are subject to change without notice

Note: 1.00 means the number one with two decimal places. 1,000 means the number one thousand.

## Specifications

### Standard

IEC 60127-6  
UL 512  
CSA C22.2. No.39

### Approvals

VDE: License No. 92599  
SEMKO: Certificate Nos. 9533178/9635055  
UL Recognized: File No. E 70164  
CSA Certified: File No. 47574



### Mounting

(2) Solder pins 0.5mm x 1.1mm

### Protection Class & Category

IP 40 (with Cap 653 07 & 655 07 acc. to IEC 60529)  
IP 54 (with Cap 653 04 & 655 04 acc. to IEC 60529)  
PC2 (IEC 60127-6)

### Materials

Holder/Cap: Black Thermoplastic  
Polyamide PA 6.6, UL94 V-0  
Sealing Washer: Silicon (Cap 653 04 & 655 04)  
Metal Parts: Copper alloy,  
corrosion protected  
Terminals: Solderable, tinned

### Electrical Data (23°C)

Rated Voltage: 250V  
Rated Current: 6.3A (VDE/SEMKO)  
16A (UL/CSA)  
Rated Power: 2.5W (VDE/SEMKO)

### Operating Temperature

-25°C to +70°C (consider de-rating)

### Climatic Test

-25°C/+70°C/21 days (IEC 60068-2-1...3)

### Stock Conditions

+10°C to +60°C  
relative humidity ≤ 75% yearly average,  
without dew, maximum value for 30 days - 95%

### Vibration Resistance

24 cycles at 15 min. each (IEC 60068-2-6)  
10 - 60Hz at 0.75mm amplitude  
60 - 2000Hz at 10g acceleration

### Contact Resistance

≤ 5mΩ

### Dielectric Strength

> 1.5 kV

### Impulse Voltage

4 kV, 50 Hz, 1 min., dry

### Insulation Resistance

> 10<sup>3</sup> MΩ (500 VDC, 1 min.)

### Solderability

235°C, 3 sec. (Wave)  
350°C, 1 sec. (Soldering Iron)

### Soldering Heat Resistance

260°C, 5 sec. (IEC 60068-2-20)

### Minimum Cross Section

Conducting path - 0.2mm<sup>2</sup>

### Marking

652, 250V, Approvals

### Unit Weight

3.8g (Holder) / 2.0g (653) / 2.4g (655)

