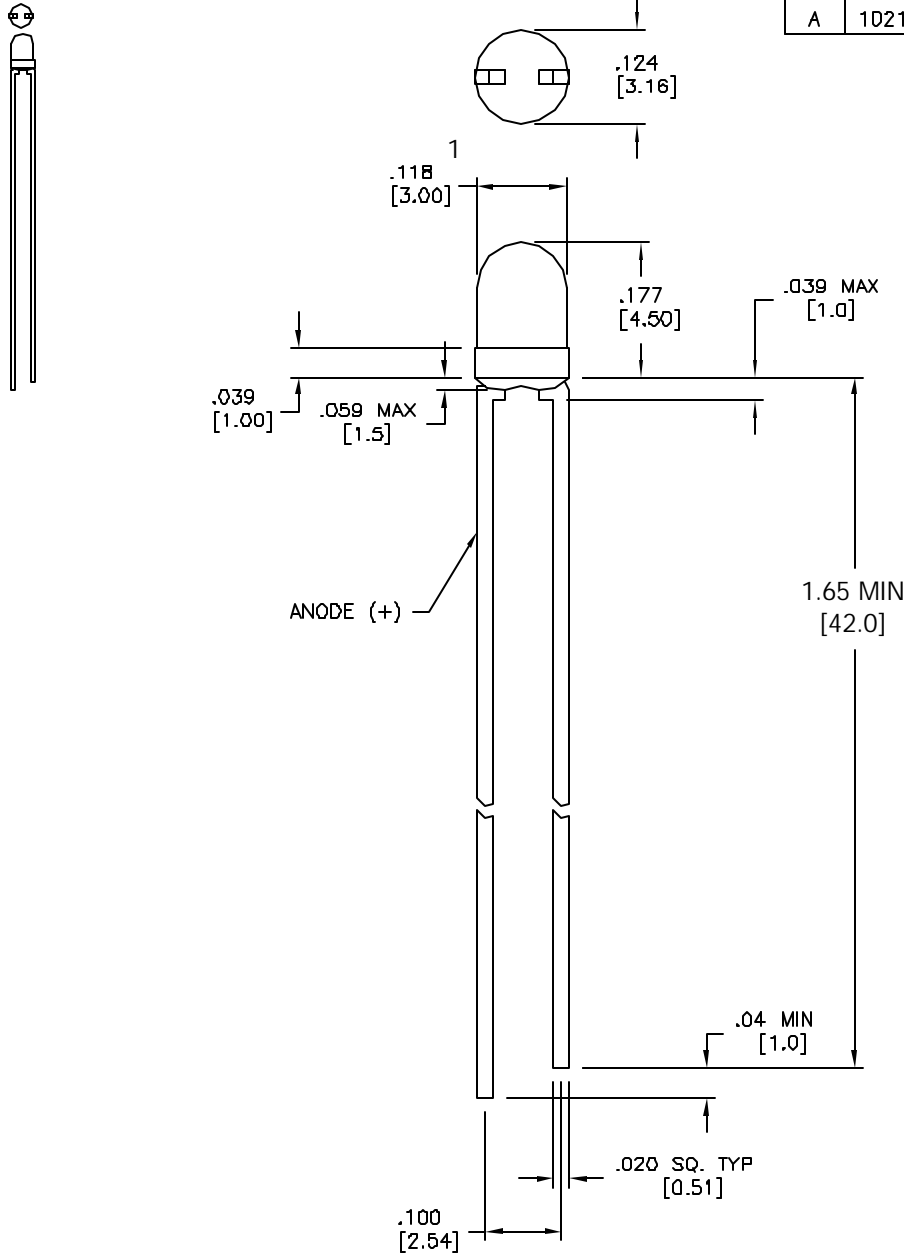



| LTR | REVISION                       | DATE     | APPD |
|-----|--------------------------------|----------|------|
| -   | RELEASED                       | 06-24-04 |      |
| A   | 102104-PL01: ADDED NEW PART#'S | 10-22-04 |      |

Actual Size



| LEDTRONICS PART NO. | L.E.D. RADIATION COLOR | L.E.D. APPEARANCE | ABSOLUTE MAXIMUM RATINGS (T <sub>a</sub> =25°C) |                   |                   |                  |                       | ELECTRO-OPTICAL CHARACTERISTICS (T <sub>a</sub> =25°C) |                        |                           |                  |                       |       |                     |                      |
|---------------------|------------------------|-------------------|---|-------------------|-------------------|------------------|-----------------------|--|------------------------|---------------------------|------------------|-----------------------|-------|---------------------|----------------------|
|                     |                        |                   | P <sub>d</sub> mW                               | I <sub>f</sub> mA | I <sub>f</sub> mA | V <sub>r</sub> V | T <sub>opr</sub> (°C) | I <sub>f</sub> mA                                      | I <sub>v</sub> med typ | V <sub>f</sub> =V typ/max | VIEW ANGLE 2θ1/2 | I <sub>r</sub> max μA | Δλ nm | λ <sub>DOM</sub> nm | λ <sub>Peak</sub> nm |
| L120TR5L            | RED                    | DIFFUSED          | 100   | 150               | 30                | 5                | -40 TO +80            | 20   | 30                     | 2.0/2.6                   | 55               | 100                   | 43    | 630                 | 645                  |
| L120TG5L            | GREEN                  | DIFFUSED          | 100   | 150               | 30                | 5                | -40 TO +80            | 20   | 70                     | 2.2/2.6                   | 55               | 100                   | 30    | 571                 | 566                  |
| L120TY5L            | YELLOW                 | DIFFUSED          | 100   | 150               | 30                | 5                | -40 TO +80            | 20   | 20                     | 2.1/2.6                   | 55               | 100                   | 38    | 591                 | 585                  |
| L120TWRC5L          | HI-EFF RED             | DIFFUSED          | 80  | 150               | 30                | 5                | -40 TO +80            | 20   | 4                      | 2.0/2.6                   | 55               | 100                   | 45    | 635                 | 635                  |
|                     | GREEN                  | DIFFUSED          | 100   | 150               | 30                | 5                | -40 TO +80            | 20   | 10                     | 2.2/2.6                   | 55               | 100                   | 30    | 568                 | 568                  |
| L120TWYG5L          | YELLOW                 | DIFFUSED          | 80  | 150               | 30                | 5                | -40 TO +80            | 20   | 3                      | 2.1/2.6                   | 55               | 100                   | 35    | 585                 | 585                  |
|                     | HI-EFF GREEN           | DIFFUSED          | 100   | 150               | 30                | 5                | -40 TO +80            | 20   | 10                     | 2.2/2.6                   | 55               | 100                   | 30    | 568                 | 568                  |

T<sub>stg</sub>: -40°C TO +85°C  
LEAD SOLDERING TEMP: [1.6mm (.063in) FROM BODY] 260°C FOR 5 SEC.

|   |  |                      |                            |                         |                         |                             |
|---|--|----------------------|----------------------------|-------------------------|-------------------------|-----------------------------|
| <br><b>LEDTRONICS, INC.</b><br>23105 KASHIWA COURT<br>TORRANCE, CA 90505 | PROPRIETARY.<br>This document contains Proprietary Information of LEDTRONICS, INC. It may not be copied, used or disclosed for any purpose without the prior express written consent of LEDTRONICS, INC. |                      | <b>TITLE</b><br>L120TWXX5L |                         |                         |                             |
|   | <b>DWG NO</b><br>DSDD0145  | <b>SCALE</b><br>4:1  | <b>SHEET</b><br>1 OF 1     | <b>DATE</b><br>06-24-04 |                         |                             |
|   | <b>CODE IDENT NO.</b><br>8Z410   | <b>DWG BY</b><br>CEZ | <b>CHK BY</b><br>PL        | <b>QA</b><br>GZ         | <b>MNFG</b><br>10-27-04 | <b>CUSTOMER</b><br>10-27-04 |

.XXX ± .010 TOLERANCE PER ANSI-Y14.5  
 .XX ± .025 (UNLESS OTHERWISE STATED)  
 ANGLES ± 0°.30°  
 FRACT. ± 1/32