

ALTERNATOR DIODE FOR AUTOMOTIVE APPLICATION.

### FEATURES

- Average Forward Current :  $I_O=35A$ .
- Zener Voltage : 23V(Typ.)

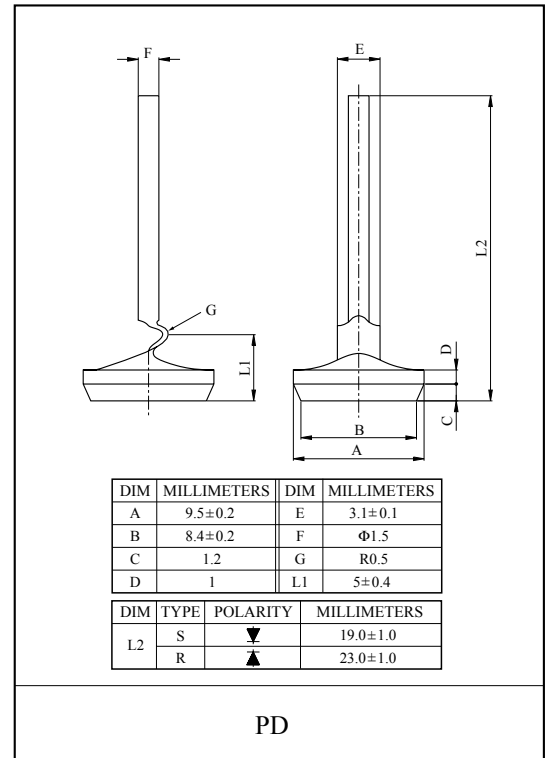
### POLARITY

E35A23VDS (+ Type)

E35A23VDR (- Type)

### MAXIMUM RATING (Ta=25°C)

CHARACTERISTIC	SYMBOL	RATING	UNIT
Average Forward Current	$I_{F(AV)}$	35	A
Peak 1 Cycle Surge Current	$I_{FSM}$	350 (10ms Condition)	A
Repetitive Peak Reverse Voltage	$V_{RRM}$	17	V
Junction Temperature	$T_j$	-40 ~ 200	°C
Storage Temperature Range	$T_{stg}$	-40 ~ 200	°C



### ELECTRICAL CHARACTERISTICS (Ta=25°C)

CHARACTERISTIC	SYMBOL	TEST CONDITION	MIN.	TYP.	MAX.	UNIT
Peak Forward Voltage	$V_{FM}$	$I_{FM}=100A$	-	-	1.15	V
Reverse Voltage	$V_Z$	$I_R=10mA$	20	23	26	V
Repetitive Peak Reverse Current	$I_{RRM}$	$V_R=17V$	-	-	10	μA
Zener Voltage Temperature Coefficient	$\alpha_T$	$I_Z=10mA$	-	0.077	-	%/°C
Reverse Leakage Current Under High Temperature	$I_{IR}$	$T_a=150^\circ C, V_R=V_{RM}$	-	-	2.5	mA
Temperature Resistance	$R_{th}$	Junction to case	-	0.8	-	°C/W