

# D6 SPST Momentary Key Switches



## Features/Benefits

- Easy X, Y coding on single side PCB
- Positive tactile feedback
- High temperature type available
- Wide variety of colors & styles

## Typical Applications

- Automotive
- Video
- Electronic games
- Appliances

## Construction

FUNCTION: momentary  
 CONTACT ARRANGEMENT: 1 make contact (SPST), NO  
 DISTANCE BETWEEN BUTTON CENTERS, MIN.: 12,7 (0.500)  
 TERMINALS: PC pins

## Electrical

SWITCHING POWER MAX.: 6 VA  
 SWITCHING VOLTAGE MAX.: 100 V DC  
 SWITCHING CURRENT MAX.: 100 mA DC  
 DIELECTRIC STRENGTH (50 Hz / 1 min): 1000 V  
 OPERATING LIFE with max. switching power:  $\geq 2.5 \times 10^6$  operations  
 CONTACT RESISTANCE:  $\leq 100 \text{ m}\Omega$   
 INSULATION RESISTANCE:  $\geq 10^{11} \Omega$   
 BOUNCE TIME:  $\leq 3 \text{ ms}$

## Mechanical

SWITCHING TRAVEL:  $0,8 \pm 0,2$  (0.0301  $\pm$  0.0078)  
 OPERATING FORCE:  $1.3 \text{ N} \pm 30\%$  (130 grams  $\pm$  30%)

## Environmental

OPERATING TEMPERATURE: -20°C to 85°C.

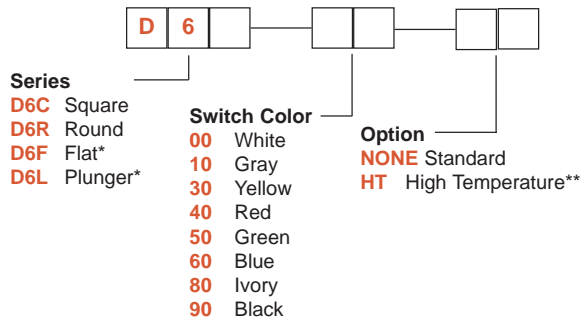
## Process

SOLDERABILITY:  
 Hand soldering: 350°C for 3 seconds  
 Wave or bath soldering: 225°C for 5 seconds  
 High Temperature version: 260°C for 5 seconds\*\*  
 Cleaning: Use solvents compatible with ABS

## How To Order

Our easy build-a-switch concept allows you to mix and match options to create the switch you need. To order, select desired option from each category and place it in the appropriate box.

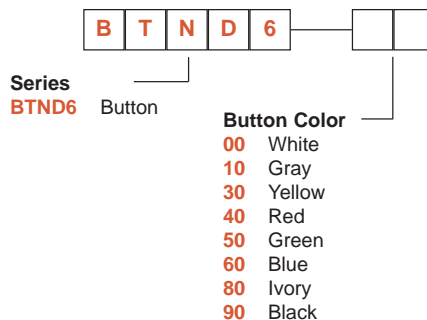
### Switch



\*Available in black only.

\*\* Only available in red, blue and black

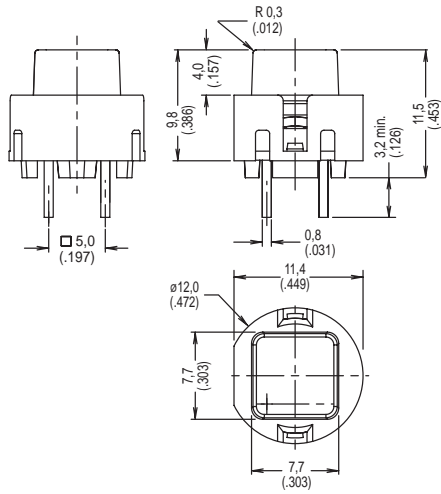
Buttons can be ordered separately. Shipped in bulk.



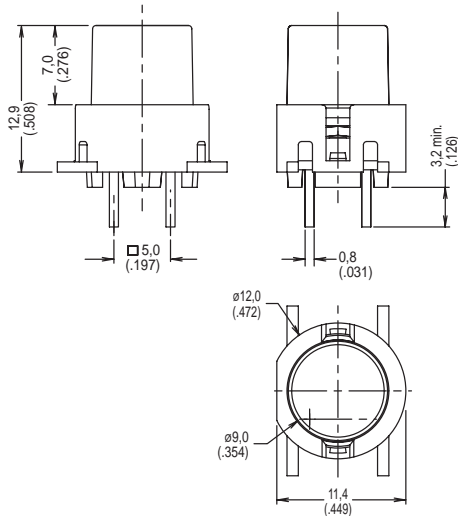
# D6 SPST Momentary Key Switches

SERIES 

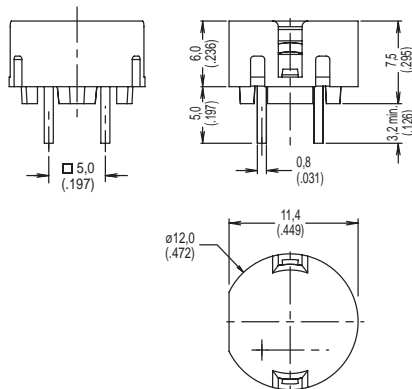
## D6C



## D6R



## D6F Only available in black

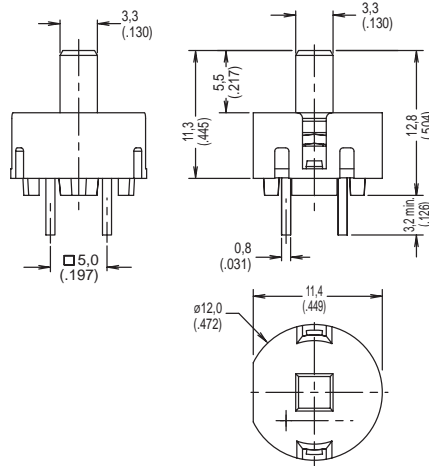


Third Angle Projection  
Dimensions shown in: mm (inch)  
Dimensions subject to change

# D6 SPST Momentary Key Switches

SERIES 

**D6L** Only available in black



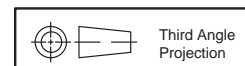
SWITCH COLORS 

OPTION CODE	SWITCH COLOR
00	WHITE
10	GRAY
30	YELLOW
40	RED
50	GREEN
60	BLUE
80	IVORY
90	BLACK

OPTION 

**NONE** STANDARD

**HT** HIGH TEMPERATURE

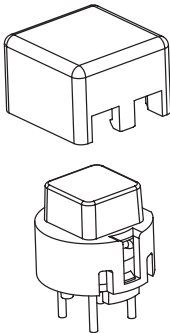
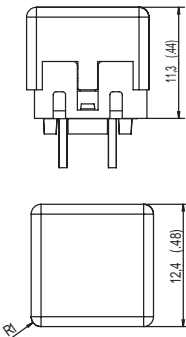


D

Key Switches

## BUTTON AVAILABLE

**BTND6** Buttons must be ordered separately. Shipped in bulk.



OPTION CODE	BUTTON COLOR
00	WHITE
10	GRAY
30	YELLOW
40	RED
50	GREEN
60	BLUE
80	IVORY
90	BLACK



Key Switches