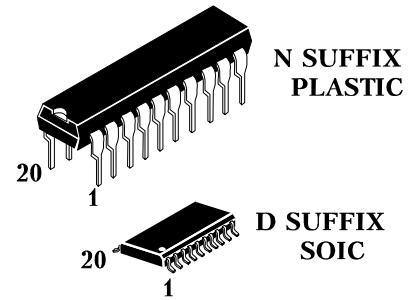


# IN74LV373

## OCTAL D-TYPE TRANSPARENT LATCH (3-STATE)

IN74LV373 are compatible by pinning with IN74HC373A and IN74HCT373A series. Input voltage levels are compatible with standard CMOS levels.

- Output voltage levels are compatible with input levels of CMOS, NMOS and TTL ICs
- Voltage supply range: 2.0 to 3.2 V
- LOW input current: 1.0  $\mu$ A; 0.1  $\mu$ A at T = 25 °C
- Input current LOW/HIGH: 8 mA
- Latch current: not less than 150 mA at T = 125 °C
- ESD acceptable value: not less than 2000 V as per HBM and not less than 200 V as per MM
- 



### ORDERING INFORMATION

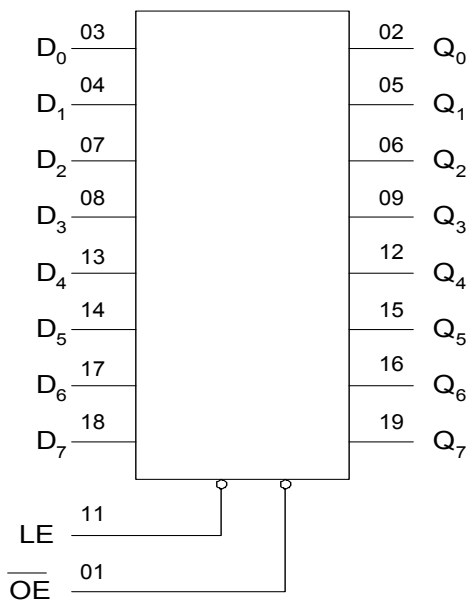
IN74LV373N Plastic DIP

IN74LV373D SOIC

T<sub>A</sub> = -40° to 125° C

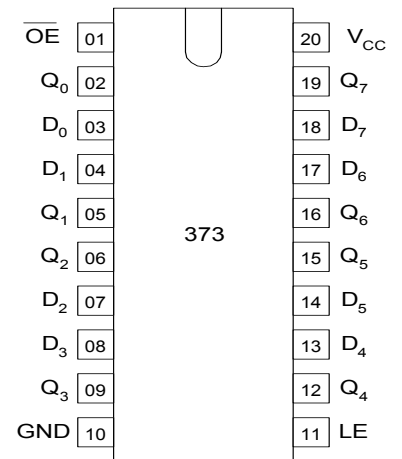
for all packages

### BLOCK DIAGRAM



Pin 20 = V<sub>CC</sub>  
Pin 10 = GND

### PIN ASSIGNMENT



### FUNCTION TABLE

Inputs			Output
OE	LE	Dn	Qn
L	H	H	H
L	H	L	L
L	L	X	no change
H	X	X	Z

## IN74LV373

### ABSOLUTE MAXIMUM RATINGS\*

Symbol	Parameter	Rating	Unit
$V_{CC}$	Supply voltage	-0.5 to +5.0	V
$I_{IK}^{*1}$	Input diode current	$\pm 20$	mA
$I_{OK}^{*2}$	Output diode current	$\pm 50$	mA
$I_O^{*3}$	Output source or sink current	$\pm 35$	mA
$I_{CC}$	$V_{CC}$ current	$\pm 70$	mA
$I_{GND}$	GND current	$\pm 70$	mA
$P_D$	Power dissipation per package: Plastic DIP SOIC *4	750 500	mW
Tstg	Storage temperature range	-65 to +150	$^{\circ}C$

\* In absolute maximum ratings modes functioning is not guaranteed. Upon lifting the absolute maximum ratings functioning is guaranteed at the recommended operating conditions.

\*1 Provided  $V_I < -0.5\text{ V}$  or  $V_I > V_{CC} + 0.5\text{ V}$ .

\*2 Provided  $V_O < -0.5\text{ V}$  or  $V_O > V_{CC} + 0.5\text{ V}$ .

\*3 Provided  $-0.5\text{ V} < V_O < V_{CC} + 0.5\text{ V}$ .

\*4 When operating in the temperature range of  $70^{\circ}C$  to  $125^{\circ}C$  power dissipation value decreases:  
 - for Plastic DIP by  $12\text{ mW}/^{\circ}C$   
 - for SOIC by  $8\text{ mW}/^{\circ}C$

### RECOMMENDED OPERATING CONDITIONS

Symbol	Parameter	Min	Max	Unit
$V_{CC}$	Supply voltage	1.2	3.6	V
$V_{IN}$	Input voltage	0	$V_{CC}$	V
$V_{OUT}$	Output voltage	0	$V_{CC}$	V
$T_A$	Operating ambient temperature range. For all types of packages	-40	125	$^{\circ}C$
$t_{LH}, t_{HL}$	Input rise and fall times $V_{CC} = 1.2\text{ V}$ $V_{CC} = 2.0\text{ V}$ $V_{CC} = 3.0\text{ V}$ $V_{CC} = 3.6\text{ V}$	0	1000 700 500 400	ns

# IN74LV373

## DC CHARACTERISTICS

Symbol	Parameter	Test conditions	V <sub>CC</sub> , V	Limits						Unit
				25°C		-40°C to 85°C		125°C		
				min	max	min	max	min	max	
V <sub>IH</sub>	HIGH level voltage	V <sub>O</sub> = V <sub>CC</sub> - 0.1 V	1.2	0.9	-	0.9	-	0.9	-	V
			2.0	1.4	-	1.4	-	1.4	-	
			3.0	2.1	-	2.1	-	2.1	-	
			3.6	2.5	-	2.5	-	2.5	-	
V <sub>IL</sub>	LOW level voltage	V <sub>O</sub> = 0.1 V	1.2	-	0.3	-	0.3	-	0.3	V
			2.0	-	0.6	-	0.6	-	0.6	
			3.0	-	0.9	-	0.9	-	0.9	
			3.6	-	1.1	-	1.1	-	1.1	
V <sub>OH</sub>	HIGH level output voltage	V <sub>I</sub> = V <sub>IH</sub> or V <sub>IL</sub> I <sub>O</sub> = -50 μA	1.2	1.1	-	1.0	-	1.0	-	V
			2.0	1.92	-	1.9	-	1.9	-	
			3.0	2.92	-	2.9	-	2.9	-	
			3.6	3.52	-	3.5	-	3.5	-	
		3.0	2.48	-	2.34	-	2.20	-	V	
V <sub>OL</sub>	LOW level output voltage	V <sub>I</sub> = V <sub>IH</sub> or V <sub>IL</sub> I <sub>O</sub> = 50 μA	1.2	-	0.09	-	0.1	-	0.1	V
			2.0	-	0.09	-	0.1	-	0.1	
			3.0	-	0.09	-	0.1	-	0.1	
			3.6	-	0.09	-	0.1	-	0.1	
		3.0	-	0.33	-	0.4	-	0.5	V	
I <sub>I</sub>	Input current	V <sub>I</sub> = V <sub>CC</sub> or 0 V	3.6	-	±0.1	-	±1.0	-	±1.0	μA
I <sub>OZ</sub>	OFF-state output current	3-state outputs V <sub>I</sub> = V <sub>IL</sub> or V <sub>IH</sub> V <sub>O</sub> = V <sub>CC</sub> or 0 V	3.6	-	±0.5	-	±5	-	±10	μA
I <sub>CC</sub>	Supply current	V <sub>I</sub> = V <sub>CC</sub> or 0 V I <sub>O</sub> = 0 μA	3.6	-	8.0	-	80	-	160	μA

# IN74LV373

## AC CHARACTERISTICS ( $C_L=50$ pF, $t_{LH} = t_{HL} = 6.0$ ns)

Symbol	Parameter	Test conditions	$V_{CC}$ , V	Limits						Unit
				25°C		-40°C to 85°C		125°C		
				min	max	min	max	min	max	
$t_{PHL}, t_{PLH}$ from Dn to Qn	Propagation delay	Figure 1	1.2	-	150	-	190	-	220	ns
			2.0	-	38	-	48	-	58	
			3.0	-	23	-	29	-	35	
$t_{PHL}, t_{PLH}$ from LE to Qn	Propagation delay	Figure 2	1.2	-	180	-	230	-	270	ns
			2.0	-	45	-	56	-	68	
			3.0	-	27	-	34	-	41	
$t_{PHZ}, t_{PLZ}$ from OE to Qn	3-state output enable time	Figure 4	1.2	-	160	-	200	-	240	ns
			2.0	-	35	-	43	-	45	
			3.0	-	23	-	28	-	32	
$t_{PZH}, t_{PZL}$ from OE to Qn	3-state disable time	Figure 4	1.2	-	160	-	200	-	240	ns
			2.0	-	40	-	50	-	60	
			3.0	-	24	-	30	-	36	
$t_{THL}, t_{TLH}$	HIGH-to-LOW and LOW-to-HIGH transition time	Figures 1,2	1.2	-	75	-	100	-	120	ns
			2.0	-	16	-	20	-	24	
			3.0	-	10	-	13	-	15	
$t_W$	Clock pulse width HIGH or LOW	Figure 2	1.2	250	-	350	-	450	-	ns
			2.0	30	-	34	-	41	-	
			3.0	18	-	20	-	24	-	
$t_{SU}$	Set-up time Dn to LE	Figure 3	1.2	45	-	50	-	100	-	ns
			2.0	15	-	17	-	15	-	
			3.0	9	-	10	-	12	-	
$t_H$	Hold time Dn to LE	Figure 3	1.2	25	-	25	-	25	-	ns
			2.0	5	-	5	-	5	-	
			3.0	5	-	5	-	5	-	
$C_I$	Input capacitance		3.0	-	7	-	-	-	pF	
$C_{PD}$	Power dissipation capacitance (per flip-flop)	$V_I = 0$ V or $V_{CC}$	3.0	-	80	-	-	-	pF	

# IN74LV373

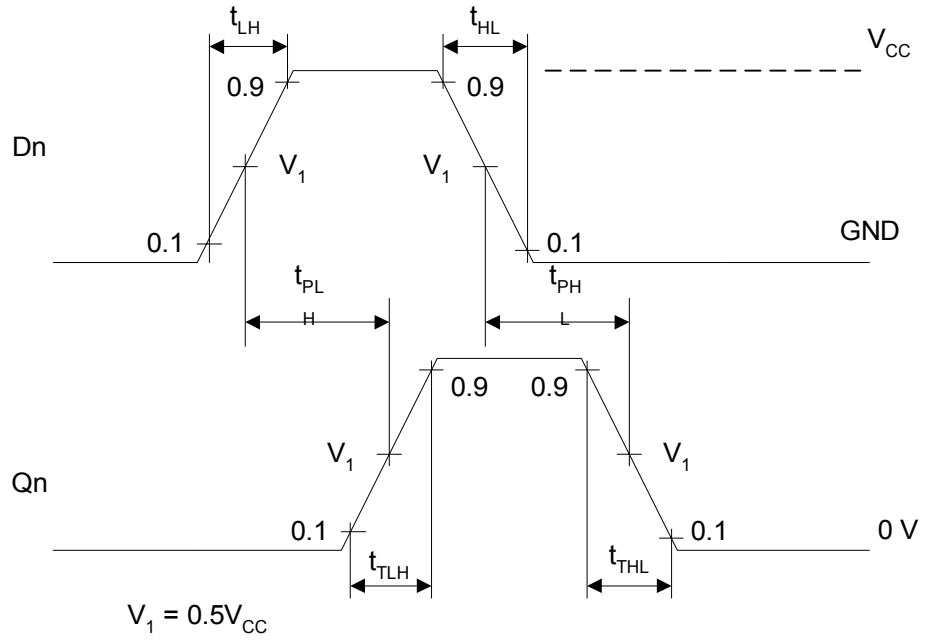


Figure 1 - Time diagram

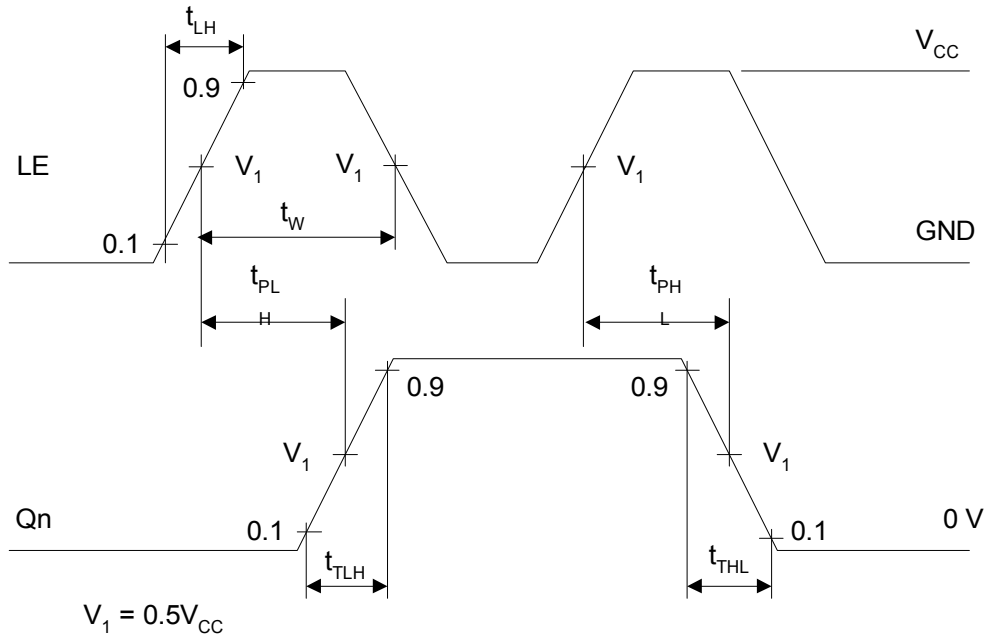
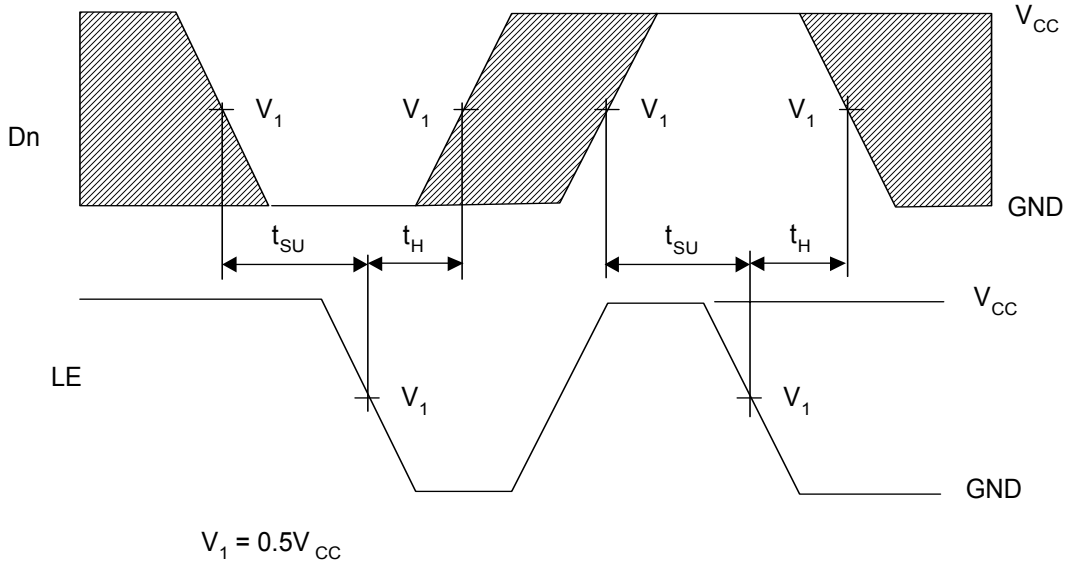
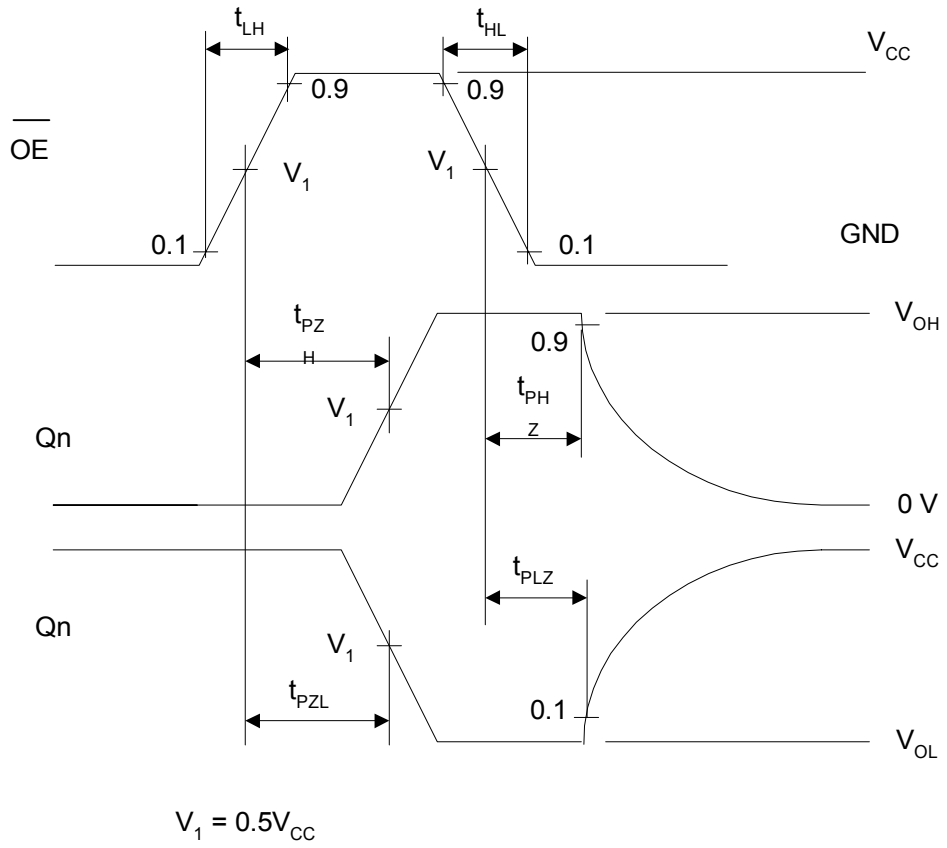


Figure 2 - Time diagram.

# IN74LV373



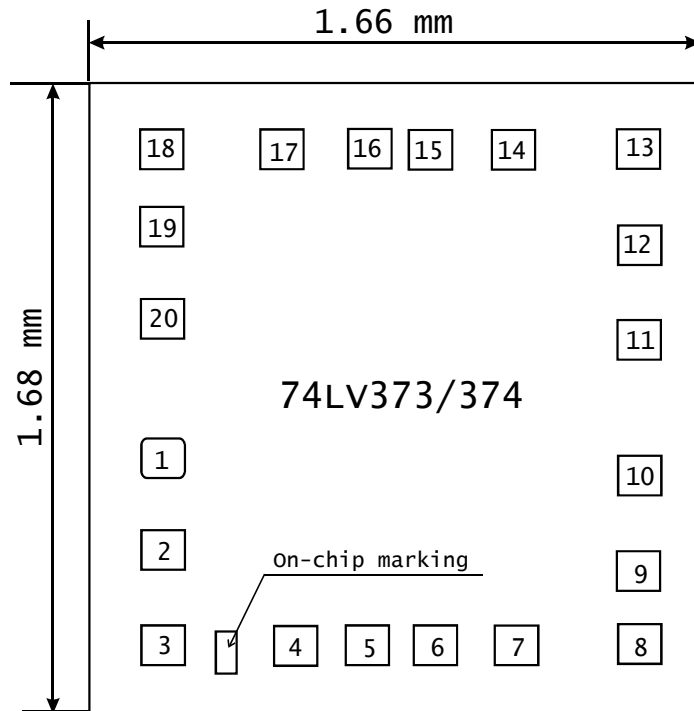
**Figure 3 - Time diagram**



**Figure 4 - Time diagram**

# IN74LV373

## Drawing of the chip



**Pads allocation Table**

Pad number	coordinates (counted from lower left corner), mm		Pad size, mm
	X	Y	
01	0.142	0.628	0.108 x 0.108
02	0.142	0.377	0.108 x 0.108
03	0.142	0.125	0.108 x 0.108
04	0.498	0.125	0.108 x 0.108
05	0.693	0.125	0.108 x 0.108
06	0.871	0.125	0.108 x 0.108
07	1.095	0.125	0.108 x 0.108
08	1.423	0.130	0.108 x 0.108
09	1.423	0.329	0.108 x 0.108
10	1.423	0.587	0.108 x 0.108
11	1.423	0.949	0.108 x 0.108
12	1.423	1.198	0.108 x 0.108
13	1.423	1.447	0.108 x 0.108
14	1.085	1.447	0.108 x 0.108
15	0.868	1.447	0.108 x 0.108
16	0.696	1.447	0.108 x 0.108
17	0.461	1.447	0.108 x 0.108
18	0.142	1.447	0.108 x 0.108
19	0.142	1.245	0.108 x 0.108
20	0.142	0.997	0.108 x 0.108