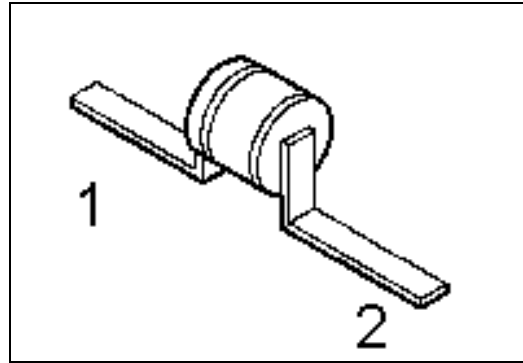



HiRel Silicon Schottky Diode

- **HiRel Discrete and Microwave Semiconductor**
- General-purpose diodes for high-speed switching
- Circuit protection
- Voltage clamping
- High-level detecting and mixing
- Hermetically sealed microwave package
-  **ESA Space Qualification Expected 1998**
ESA/SCC Detail Spec. No.: 5512/020
Type Variant No. 03 (tbc.)



ESD: Electrostatic discharge sensitive device, observe handling precautions!

Type	Marking	Ordering Code	Pin Configuration	Package
BAS40-T1 (ql)	-	see below	1 —  — 2	T1

(ql) Quality Level:	P: Professional Quality,	Ordering Code:	Q62702A1176
	H: High Rel Quality,	Ordering Code:	on request
	S: Space Quality,	Ordering Code:	on request

(see order instructions for ordering example)

Maximum Ratings

Parameter	Symbol	Values	Unit
Reverse Voltage	V_R	40	V
Forward Current	I_F	120	mA
Surge Forward Current ¹⁾	I_{FSM}	170	mA
Power Dissipation ²⁾	P_{tot}	250	mW
Operating Temperature Range	T_{op}	-55 to +150	°C
Storage Temperature Range	T_{stg}	-55 to +150	°C
Soldering Temperature ³⁾	T_{sol}	+250	°C
Junction Temperature	T_j	150	°C
Thermal Resistance Junction-Case	$R_{th(j-c)}$	100	K/W

Electrical Characteristics

 at $T_A=25^\circ\text{C}$; unless otherwise specified

Parameter	Symbol	Values			Unit
		min.	typ.	max.	

DC Characteristics

Reverse Current 1 $V_R=40\text{V}$	I_{R1}	-	-	10	μA
Reverse Current 2 $V_R=30\text{V}$	I_{R2}	-	-	1	μA
Forward Voltage 1 $I_{F1}=1\text{mA}$	V_{F1}	0,29	0,33	0,39	V
Forward Voltage 2 $I_{F2}=10\text{mA}$	V_{F2}	0,42	0,45	0,54	V
Forward Voltage 3 $I_{F3}=40\text{mA}$	V_{F3}	0,68	0,7	0,85	V
Differential Forward Resistance ⁴⁾ $I_F=10\text{mA}, I_F=15\text{mA}$	R_{FD}	7,5	10	11,5	Ω

AC Characteristics

Total Capacitance $V_R=0\text{V}; f=1\text{MHz}$	C_T	2,2	2,9	5,0	pF
---	-------	-----	-----	-----	----

Notes.:

- 1.) $t \leq 10\text{ms}$, Duty Cycle=10%
- 2.) At $T_{CASE} = 125^\circ\text{C}$. For $T_{CASE} > 125^\circ\text{C}$ derating is required.
- 3.) During 5 sec. maximum. The same terminal shall not be resoldered until 3 minutes have elapsed.

$$4.) R_{FD} = \frac{\Delta V_F}{5 \times 10^{-3} \text{ A}}$$

Order Instructions:

Full type variant including package variant and quality level must be specified by the orderer. For *HiRel* Discrete and Microwave Semiconductors the ordering code specifies device family and quality level only.

Ordering Form:

Ordering Code: Q.....
BAS40- (x) (ql)
(x): Package Variant
(ql): Quality Level

Ordering Example:

Ordering Code: Q62702A1176
BAS40-T1 P
For BAS40 in T1 Package; Professional Quality Level

Further Informations:

See our WWW-Pages:

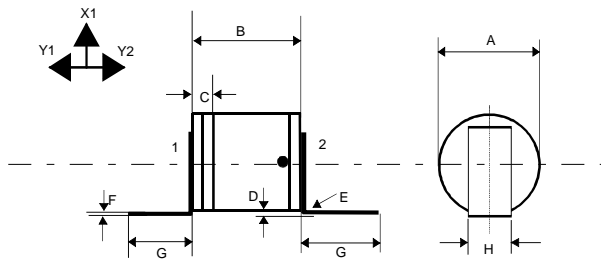
- Discrete and RF-Semiconductors (Small Signal Semiconductors)
www.infineon.com/products/discrete/hirel.htm

- *HiRel* Discrete and Microwave Semiconductors
www.infineon.com/products/discrete/hirel.htm

Please contact also our marketing division :

Tel.: ++89 234 24480
Fax.: ++89 234 28438
e-mail: martin.wimmers@infineon.com
Address: Infineon Technologies Semiconductors,
High Frequency Products Marketing,
P.O.Box 801709,
D-81617 Munich

T1 Package



Symbol	Millimetre	
	min	max
A	1,30	1,45
B	1,15	1,35
C	-	0,40
D	0,10	0,50
E	-	0,30
F	0,06	0,10
G	5,50	-
H	0,40	0,60

Published by Infineon Technologies Semiconductors,
High Frequency Products Marketing, P.O.Box 801709,
D-81617 Munich.

Infineon Technologies AG 1998. All Rights Reserved.

As far as patents or other rights of third parties are concerned, liability is only assumed for components per se, not for applications, processes and circuits implemented within components or assemblies.

The information describes the type of component and shall not be considered as assured characteristics.

Terms of delivery and rights to change design reserved.

For questions on technology, delivery and prices please contact the Offices of Semiconductor Group in Germany or the Infineon Technologies Companies and Representatives worldwide (see address list).

Due to technical requirements components may contain dangerous substances. For information on the type in question please contact your nearest Infineon Technologies Office, Semiconductor Group.

Infineon Technologies Semiconductors is a certified CECC and QS9000 manufacturer (this includes ISO 9000).