



LOW-VOLTAGE 10-BIT BUS SWITCH WITH ACTIVE HIGH AND LOW ENABLES

IDT74CBTLV3862

FEATURES:

- 5Ω A/B bi-directional switch
- Isolation Under Power-Off Conditions
- Over-voltage tolerant
- Latch-up performance exceeds 100mA
- V_{CC} = 2.3V - 3.6V, normal range
- ESD >2000V per MIL-STD-883, Method 3015; >200V using machine model (C = 200pF, R = 0)
- Available in SSOP, QSOP, and TSSOP packages

APPLICATIONS:

- 3.3V High Speed Bus Switching and Bus Isolation

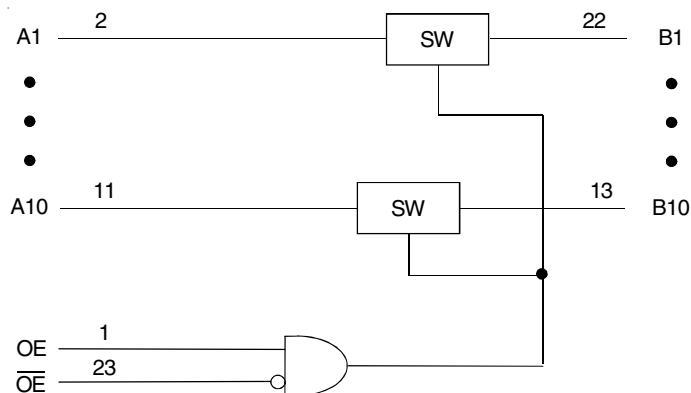
DESCRIPTION:

The CBTLV3862 provides ten bits of high-speed bus switching with low on-state resistance of the switch allowing connections to be made with minimal propagation delay.

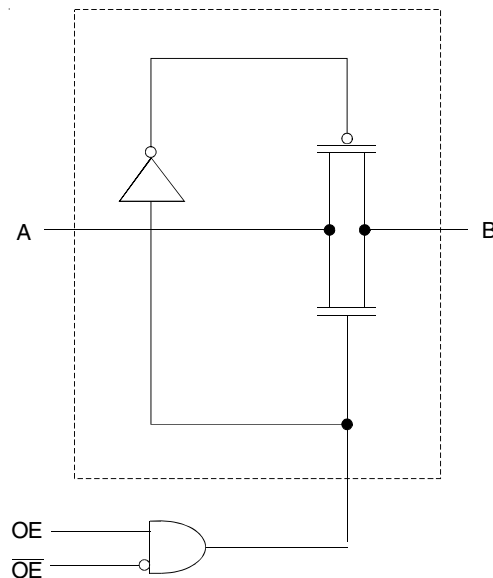
The device is organized as one 10-bit bus switch. The switches are controlled by independent active-low enable (\overline{OE}) and active-high enable (OE) controls.

To ensure the high-impedance state during power up or power down, \overline{OE} should be tied to V_{CC} through a pullup resistor; the minimum value of the resistor is determined by the current-sinking capability of the driver, and OE should be tied to GND.

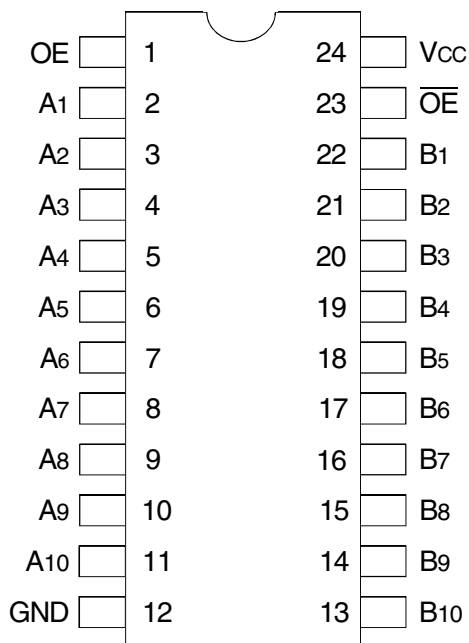
FUNCTIONAL BLOCK DIAGRAM



SIMPLIFIED SCHEMATIC, EACH SWITCH



PIN CONFIGURATION



SSOP/ QSOP/ TSSOP
 TOP VIEW

ABSOLUTE MAXIMUM RATINGS⁽¹⁾

| Symbol | Description | Max. | Unit |
|------------------|---|-------------|------|
| V _{CC} | Supply Voltage Range | -0.5 to 4.6 | V |
| V _I | Input Voltage Range | -0.5 to 4.6 | V |
| I _{IC} | Continuous Channel Current | 128 | mA |
| I _{IK} | Input Clamp Current, V _{I/O} < 0 | -50 | mA |
| T _{STG} | Storage Temperature Range | -65 to +150 | °C |

NOTE:

- Stresses greater than those listed under ABSOLUTE MAXIMUM RATINGS may cause permanent damage to the device. This is a stress rating only and functional operation of the device at these or any other conditions above those indicated in the operational sections of this specification is not implied. Exposure to absolute maximum rating conditions for extended periods may affect reliability.

FUNCTION TABLE⁽¹⁾

| Inputs | | Function |
|--------|-----------------|-----------------|
| OE | \overline{OE} | |
| L | L | Disconnect |
| L | H | Disconnect |
| H | L | A Port = B Port |
| H | H | Disconnect |

NOTE:

- H = HIGH Voltage Level
 L = LOW Voltage Level

OPERATING CHARACTERISTICS⁽¹⁾

| Symbol | Parameter | Test Conditions | Min. | Max. | Unit |
|-----------------|----------------------------------|--------------------------------|------|------|------|
| V _{CC} | Supply Voltage | | 2.3 | 3.6 | V |
| V _{IH} | High-Level Control Input Voltage | V _{CC} = 2.3V to 2.7V | 1.7 | — | V |
| | | V _{CC} = 2.7V to 3.6V | 2 | — | |
| V _{IL} | Low-Level Control Input Voltage | V _{CC} = 2.3V to 2.7V | — | 0.7 | V |
| | | V _{CC} = 2.7V to 3.6V | — | 0.8 | |
| T _A | Operating Free-Air Temperature | | -40 | +85 | °C |

NOTE:

- All unused control inputs of the device must be held at V_{CC} or GND to ensure proper device operation.

DC ELECTRICAL CHARACTERISTICS OVER OPERATING RANGE

Following Conditions Apply Unless Otherwise Specified:

Operating Condition: TA = -40°C to +85°C

| Symbol | Parameter | Test Conditions | Min. | Typ. ⁽¹⁾ | Max. | Unit | |
|---------------------------------|--|---|-----------------------|---------------------|------|------|---|
| V _{IK} | Control Inputs, Data I/O | V _{CC} = 3V, I _I = -18mA | — | — | -1.2 | V | |
| I _I | Control Inputs, Data I/O | V _{CC} = 3.6V, V _I = V _{CC} or GND | — | — | ±1 | μA | |
| I _{OZ} | Data I/O | V _{CC} = 3.6V, V _O = 0V or 3.6V switch disabled | — | — | 5 | μA | |
| I _{OFF} | | V _{CC} = 0V, V _I or V _O = 0V or 3.6V | — | — | 50 | μA | |
| I _{CC} | | V _{CC} = 3.6V, I _O = 0, V _I = V _{CC} or GND | — | — | 10 | μA | |
| ΔI _{CC} ⁽²⁾ | Control Inputs | V _{CC} = 3.6V, one input at 3V, other inputs at V _{CC} or GND | — | — | 300 | μA | |
| C _I | Control Inputs | V _I = 3V or 0 | — | 4 | — | pF | |
| C _{I(OFF)} | | V _O = 3V or 0 (switch off) | — | 6 | — | pF | |
| R _{ON} ⁽³⁾ | V _{CC} = 2.3V Typ. at V _{CC} = 2.5V | V _I = 0 | I _O = 64mA | — | 5 | 8 | Ω |
| | | | I _O = 24mA | — | 5 | 8 | |
| | | V _I = 1.7V | I _O = 15mA | — | 27 | 40 | |
| | V _{CC} = 3V | V _I = 0 | I _O = 64mA | — | 5 | 7 | |
| | | | I _O = 24mA | — | 5 | 7 | |
| | | V _I = 2.4V | I _O = 15mA | — | 10 | 15 | |

NOTES:

1. Typical Values are at V_{CC} = 3.3V, +25°C ambient.
2. The increase in supply current is attributable to each input that is at the specified voltage level rather than V_{CC} or GND.
3. This is measured by the voltage drop between the A and B terminals at the indicated current through the switch.

SWITCHING CHARACTERISTICS

| Symbol | Parameter | V _{CC} = 2.5V ± 0.2V | | V _{CC} = 3.3V ± 0.3V | | Unit |
|--------------------------------|--|-------------------------------|------|-------------------------------|------|------|
| | | Min. | Max. | Min. | Max. | |
| t _{PD} ⁽¹⁾ | Propagation Delay A to B or B to A | — | 0.15 | — | 0.25 | ns |
| t _{EN} | Output Enable Time \overline{OE} to A or B | 1 | 4.5 | 1 | 4.2 | ns |
| t _{DIS} | Output Disable Time \overline{OE} to A or B | 1 | 5 | 1 | 5 | ns |
| t _{EN} | Output Enable Time OE to A or B | 1 | 4.5 | 1 | 4.2 | ns |
| t _{DIS} | Output Disable Time OE to A or B | 1 | 5 | 1 | 6 | ns |

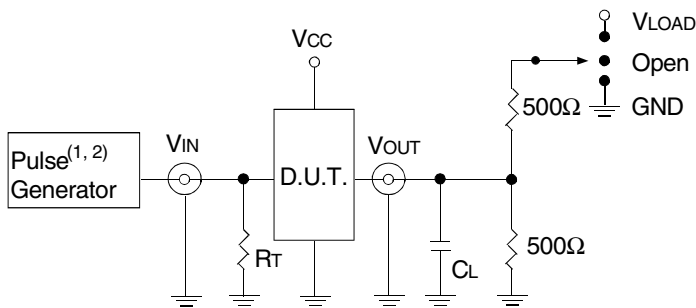
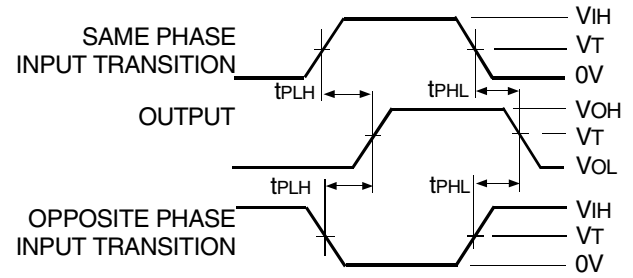
NOTE:

1. The propagation delay is the calculated RC time constant of the typical on-state resistance of the switch and the specified load capacitance when driven by an ideal voltage source (zero output impedance).

TEST CIRCUITS AND WAVEFORMS

TEST CONDITIONS

| Symbol | $V_{CC}^{(1)} = 3.3V \pm 0.3V$ | $V_{CC}^{(2)} = 2.5V \pm 0.2V$ | Unit |
|------------|--------------------------------|--------------------------------|------|
| V_{LOAD} | 6 | $2 \times V_{CC}$ | V |
| V_{IH} | 3 | V_{CC} | V |
| V_T | 1.5 | $V_{CC} / 2$ | V |
| V_{LZ} | 300 | 150 | mV |
| V_{HZ} | 300 | 150 | mV |
| C_L | 50 | 30 | pF |



Test Circuits for All Outputs

DEFINITIONS:

C_L = Load capacitance: includes jig and probe capacitance.
 R_T = Termination resistance: should be equal to Z_{out} of the Pulse Generator.

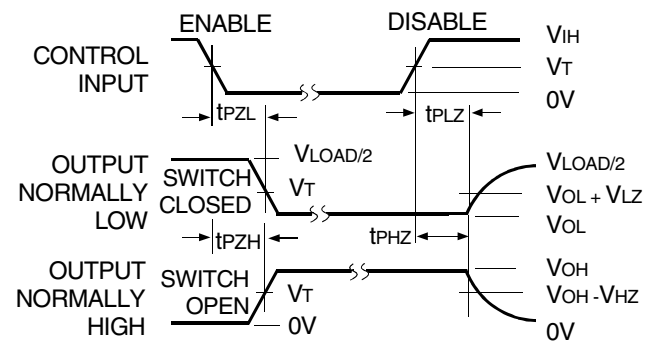
NOTES:

1. Pulse Generator for All Pulses: Rate $\leq 10\text{MHz}$; $t_r \leq 2.5\text{ns}$; $t_f \leq 2.5\text{ns}$.
2. Pulse Generator for All Pulses: Rate $\leq 10\text{MHz}$; $t_r \leq 2\text{ns}$; $t_f \leq 2\text{ns}$.

SWITCH POSITION

| Test | Switch |
|-------------------|------------|
| t_{PLZ}/t_{PZL} | V_{LOAD} |
| t_{PHZ}/t_{PZH} | GND |
| t_{PD} | Open |

Propagation Delay

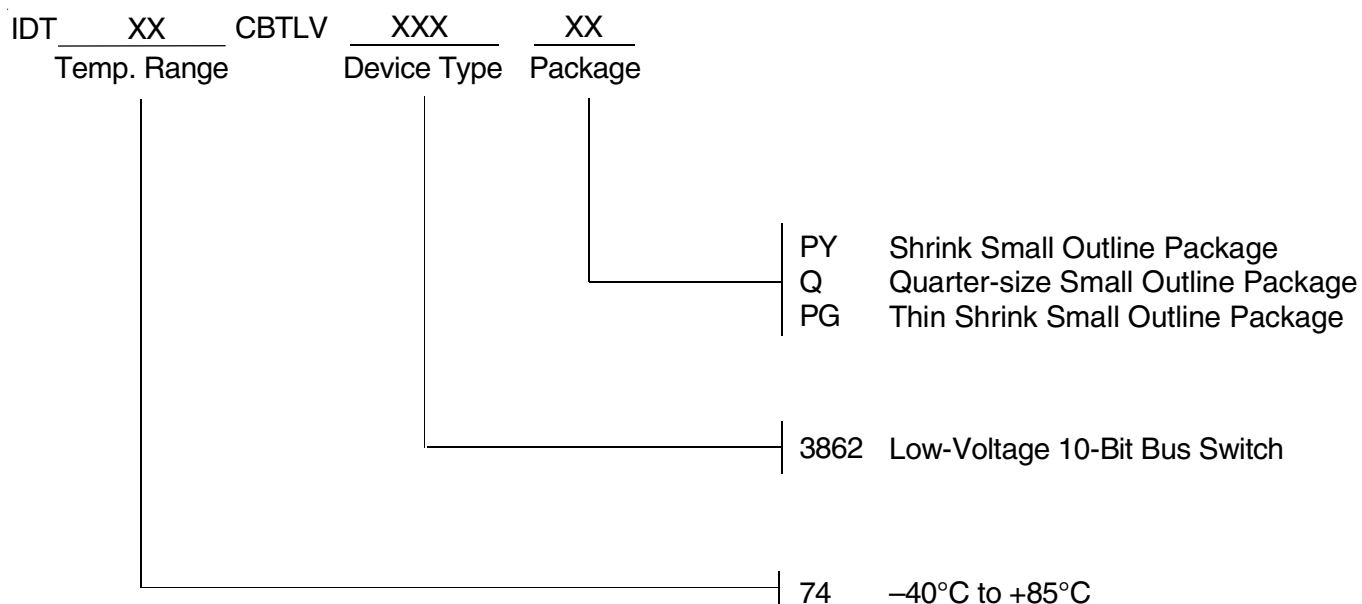


NOTE:

1. Diagram shown for input Control Enable-LOW and input Control Disable-HIGH.

Enable and Disable Times

ORDERING INFORMATION



DATA SHEET DOCUMENT HISTORY

4/10/2002 Changed OE characteristics



CORPORATE HEADQUARTERS
2975 Stender Way
Santa Clara, CA 95054

for SALES:
800-345-7015 or 408-727-6116
fax: 408-492-8674
www.idt.com

for Tech Support:
logichelp@idt.com
(408) 654-6459