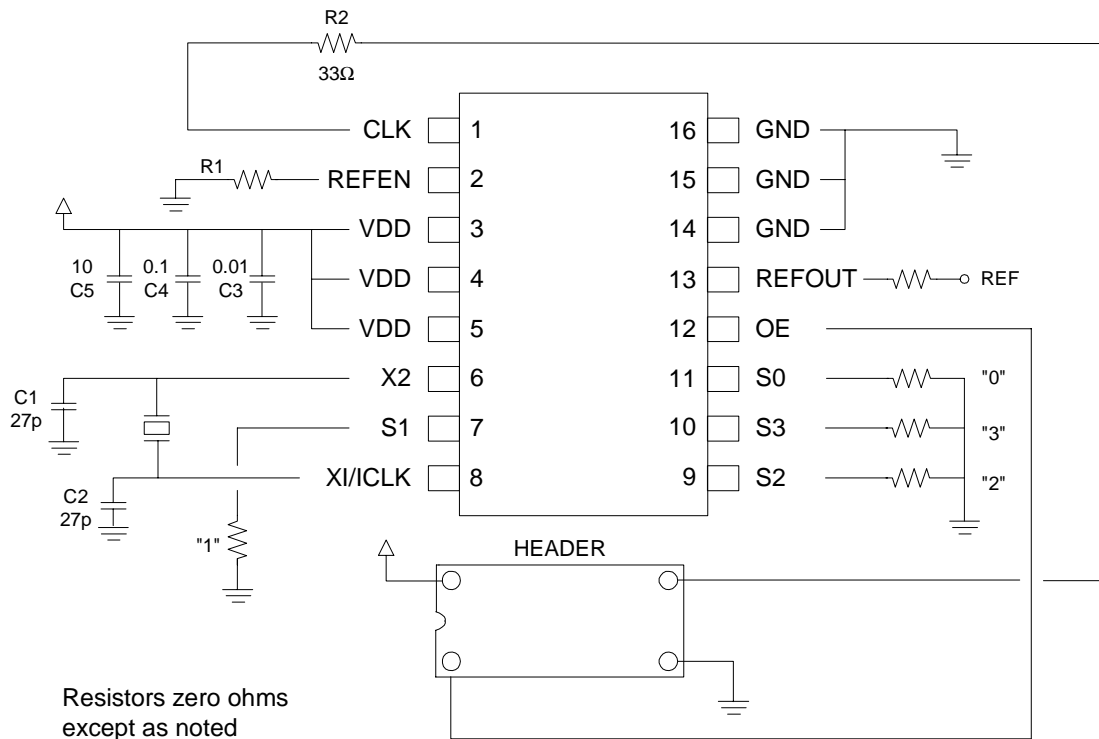




ICS601 Demo Board Schematic



Resistors zero ohms
except as noted