

**Document Title**

1M x 16 bit Dynamic RAM with EDO Page Mode

**Revision History**

<u>Revision No</u>	<u>History</u>	<u>Draft Date</u>	<u>Remark</u>
0A	Initial Draft	September 28,2001	

# 1M x 16 (16-MBIT) DYNAMIC RAM WITH EDO PAGE MODE

## FEATURES

- Extended Data-Out (EDO) Page Mode access cycle
- TTL compatible inputs and outputs; tristate I/O
- Refresh Interval: 1,024 cycles /16 ms
- *Refresh Mode:*  
 $\overline{\text{RAS}}$ -Only,  $\overline{\text{CAS}}$ -before- $\overline{\text{RAS}}$  (CBR), and Hidden
- JEDEC standard pinout
- Single power supply:  
 $5V \pm 10\%$  (IC41C16100A(S))  
 $3.3V \pm 10\%$  (IC41LV16100A(S))
- Byte Write and Byte Read operation via two  $\overline{\text{CAS}}$
- Self Refresh 1024 cycles for S version

## DESCRIPTION

The *ICSI* IC41C16100A(S) and IC41LV16100A(S) are 1,048, 576 x 16-bit high-performance CMOS Dynamic Random Access Memories. These devices offer an accelerated cycle access called EDO Page Mode. EDO Page Mode allows 1,024 random accesses within a single row with access cycle time as short as 20 ns per 16-bit word. The Byte Write control, of upper and lower byte, makes the 16100 series ideal for use in 16-, 32-bit wide data bus systems.

These features make the IC41C16100A(S) and IC41LV16100A(S) ideally suited for high-bandwidth graphics, digital signal processing, high-performance computing systems, and peripheral applications.

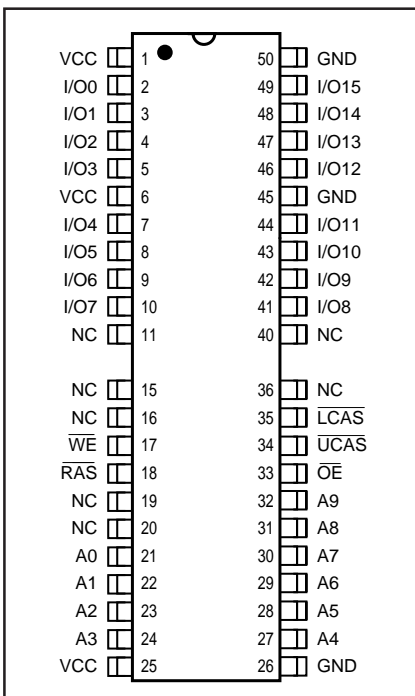
The IC41C16100A(S) and IC41LV16100A(S) are packaged in a 42-pin 400mil SOJ and 400mil 50- (44-) pin TSOP-2.

## KEY TIMING PARAMETERS

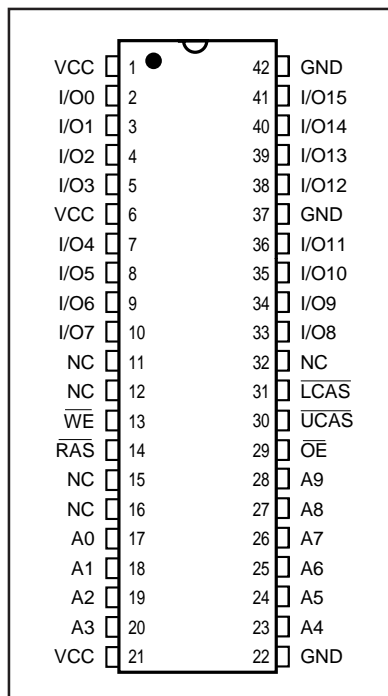
Parameter	-50	-60	Unit
Max. $\overline{\text{RAS}}$ Access Time ( $t_{\text{RAC}}$ )	50	60	ns
Max. $\overline{\text{CAS}}$ Access Time ( $t_{\text{CAC}}$ )	13	15	ns
Max. Column Address Access Time ( $t_{\text{AA}}$ )	25	30	ns
Min. EDO Page Mode Cycle Time ( $t_{\text{PC}}$ )	20	25	ns
Min. Read/Write Cycle Time ( $t_{\text{RC}}$ )	84	104	ns

## PIN CONFIGURATIONS

### 50(44)-Pin TSOP-2



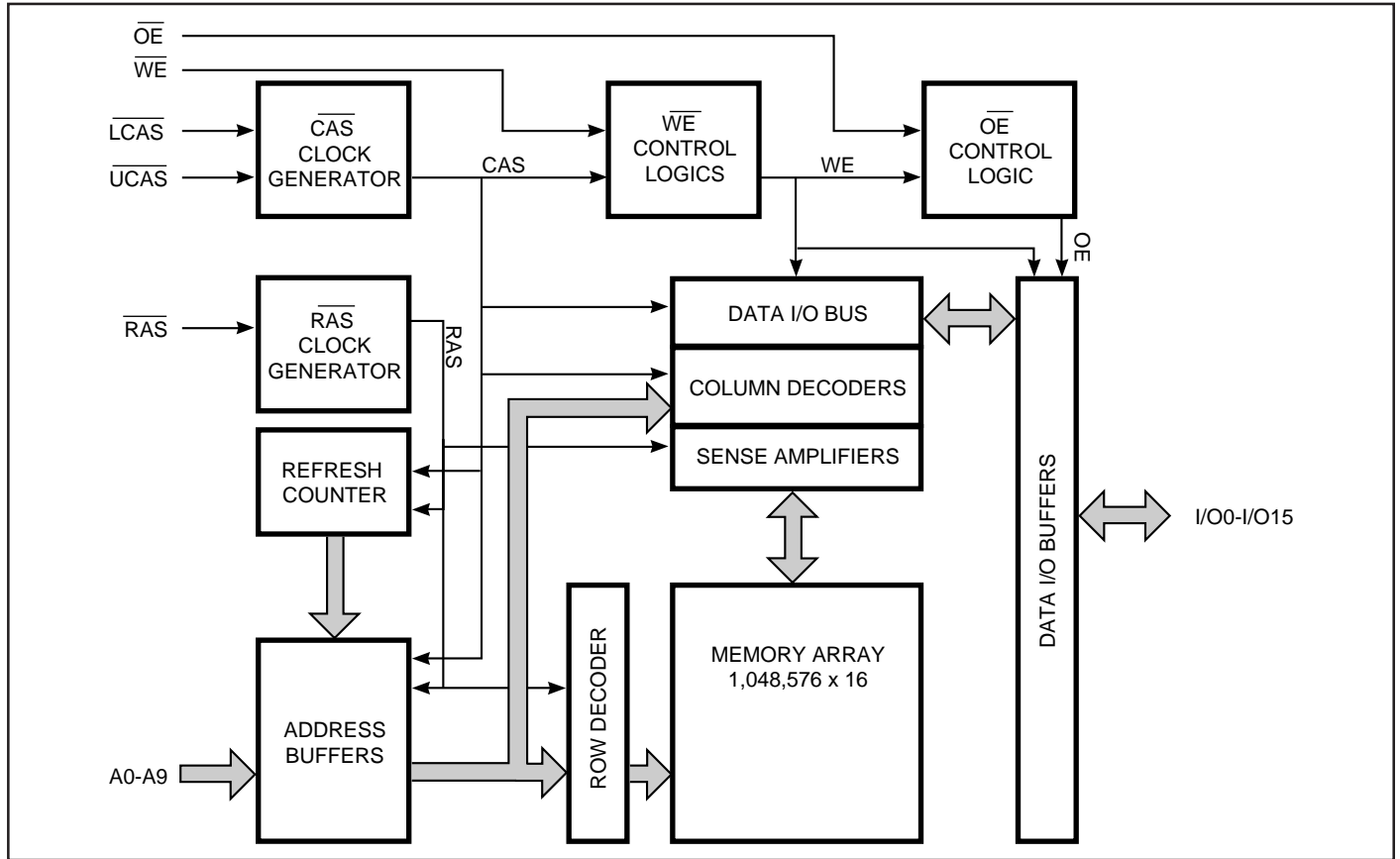
### 42-Pin SOJ



## PIN DESCRIPTIONS

A0-A9	Address Inputs
I/O0-15	Data Inputs/Outputs
$\overline{\text{WE}}$	Write Enable
$\overline{\text{OE}}$	Output Enable
$\overline{\text{RAS}}$	Row Address Strobe
$\overline{\text{UCAS}}$	Upper Column Address Strobe
$\overline{\text{LCAS}}$	Lower Column Address Strobe
Vcc	Power
GND	Ground
NC	No Connection

FUNCTIONAL BLOCK DIAGRAM



**TRUTH TABLE**

Function		$\overline{\text{RAS}}$	$\overline{\text{LCAS}}$	$\overline{\text{UCAS}}$	$\overline{\text{WE}}$	$\overline{\text{OE}}$	Address tr/tc	I/O
Standby		H	H	H	X	X	X	High-Z
Read: Word		L	L	L	H	L	ROW/COL	D <sub>OUT</sub>
Read: Lower Byte		L	L	H	H	L	ROW/COL	Lower Byte, D <sub>OUT</sub> Upper Byte, High-Z
Read: Upper Byte		L	H	L	H	L	ROW/COL	Lower Byte, High-Z Upper Byte, D <sub>OUT</sub>
Write: Word (Early Write)		L	L	L	L	X	ROW/COL	D <sub>IN</sub>
Write: Lower Byte (Early Write)		L	L	H	L	X	ROW/COL	Lower Byte, D <sub>IN</sub> Upper Byte, High-Z
Write: Upper Byte (Early Write)		L	H	L	L	X	ROW/COL	Lower Byte, High-Z Upper Byte, D <sub>IN</sub>
Read-Write <sup>(1,2)</sup>		L	L	L	H→L	L→H	ROW/COL	D <sub>OUT</sub> , D <sub>IN</sub>
EDO Page-Mode Read <sup>(2)</sup>	1st Cycle:	L	H→L	H→L	H	L	ROW/COL	D <sub>OUT</sub>
	2nd Cycle:	L	H→L	H→L	H	L	NA/COL	D <sub>OUT</sub>
	Any Cycle:	L	L→H	L→H	H	L	NA/NA	D <sub>OUT</sub>
EDO Page-Mode Write <sup>(1)</sup>	1st Cycle:	L	H→L	H→L	L	X	ROW/COL	D <sub>IN</sub>
	2nd Cycle:	L	H→L	H→L	L	X	NA/COL	D <sub>IN</sub>
EDO Page-Mode <sup>(1,2)</sup> Read-Write	1st Cycle:	L	H→L	H→L	H→L	L→H	ROW/COL	D <sub>OUT</sub> , D <sub>IN</sub>
	2nd Cycle:	L	H→L	H→L	H→L	L→H	NA/COL	D <sub>OUT</sub> , D <sub>IN</sub>
Hidden Refresh	Read <sup>(2)</sup>	L→H→L	L	L	H	L	ROW/COL	D <sub>OUT</sub>
	Write <sup>(1,3)</sup>	L→H→L	L	L	L	X	ROW/COL	D <sub>IN</sub>
RAS-Only Refresh		L	H	H	X	X	ROW/NA	High-Z
CBR Refresh <sup>(4)</sup>		H→L	L	L	X	X	X	High-Z

**Notes:**

1. These WRITE cycles may also be BYTE WRITE cycles (either  $\overline{\text{LCAS}}$  or  $\overline{\text{UCAS}}$  active).
2. These READ cycles may also be BYTE READ cycles (either  $\overline{\text{LCAS}}$  or  $\overline{\text{UCAS}}$  active).
3. EARLY WRITE only.
4. At least one of the two  $\overline{\text{CAS}}$  signals must be active ( $\overline{\text{LCAS}}$  or  $\overline{\text{UCAS}}$ ).

## Functional Description

The IC41C16100A(S) and IC41LV16100A(S) is a CMOS DRAM optimized for high-speed bandwidth, low power applications. During READ or WRITE cycles, each bit is uniquely addressed through the 16 address bits. These are entered ten bits (A0-A9) at a time. The row address is latched by the Row Address Strobe ( $\overline{\text{RAS}}$ ). The column address is latched by the Column Address Strobe (CAS).  $\overline{\text{RAS}}$  is used to latch the first ten bits and CAS is used the latter ten bits.

The IC41C16100A(S) and IC41LV16100A(S) has two  $\overline{\text{CAS}}$  controls,  $\overline{\text{LCAS}}$  and  $\overline{\text{UCAS}}$ . The  $\overline{\text{LCAS}}$  and  $\overline{\text{UCAS}}$  inputs internally generates a CAS signal functioning in an identical manner to the single CAS input on the other 1M x 16 DRAMs. The key difference is that each CAS controls its corresponding I/O tristate logic (in conjunction with  $\overline{\text{OE}}$  and  $\overline{\text{WE}}$  and  $\overline{\text{RAS}}$ ).  $\overline{\text{LCAS}}$  controls I/O0 through I/O7 and  $\overline{\text{UCAS}}$  controls I/O8 through I/O15.

The IC41C16100A(S) and IC41LV16100A(S)  $\overline{\text{CAS}}$  function is determined by the first  $\overline{\text{CAS}}$  ( $\overline{\text{LCAS}}$  or  $\overline{\text{UCAS}}$ ) transitioning LOW and the last transitioning back HIGH. The two  $\overline{\text{CAS}}$  controls give the IC41C16100A(S) and IC41LV16100A(S) both BYTE READ and BYTE WRITE cycle capabilities.

## Memory Cycle

A memory cycle is initiated by bring  $\overline{\text{RAS}}$  LOW and it is terminated by returning both  $\overline{\text{RAS}}$  and CAS HIGH. To ensure proper device operation and data integrity any memory cycle, once initiated, must not be ended or aborted before the minimum  $t_{\text{RAS}}$  time has expired. A new cycle must not be initiated until the minimum precharge time  $t_{\text{RP}}$ ,  $t_{\text{CP}}$  has elapsed.

## Read Cycle

A read cycle is initiated by the falling edge of  $\overline{\text{CAS}}$  or  $\overline{\text{OE}}$ , whichever occurs last, while holding  $\overline{\text{WE}}$  HIGH. The column address must be held for a minimum time specified by  $t_{\text{AR}}$ . Data Out becomes valid only when  $t_{\text{RAC}}$ ,  $t_{\text{AA}}$ ,  $t_{\text{CAC}}$  and  $t_{\text{OEA}}$  are all satisfied. As a result, the access time is dependent on the timing relationships between these parameters.

## Write Cycle

A write cycle is initiated by the falling edge of  $\overline{\text{CAS}}$  and  $\overline{\text{WE}}$ , whichever occurs last. The input data must be valid at or before the falling edge of  $\overline{\text{CAS}}$  or  $\overline{\text{WE}}$ , whichever occurs first.

## Refresh Cycle

To retain data, 1,024 refresh cycles are required in each 16 ms period. There are two ways to refresh the memory.

1. By clocking each of the 1,024 row addresses (A0 through A9) with  $\overline{\text{RAS}}$  at least once every 16 ms. Any read, write, read-modify-write or  $\overline{\text{RAS}}$ -only cycle refreshes the addressed row.
2. Using a  $\overline{\text{CAS}}$ -before- $\overline{\text{RAS}}$  refresh cycle.  $\overline{\text{CAS}}$ -before- $\overline{\text{RAS}}$  refresh is activated by the falling edge of  $\overline{\text{RAS}}$ , while holding  $\overline{\text{CAS}}$  LOW. In  $\overline{\text{CAS}}$ -before- $\overline{\text{RAS}}$  refresh

cycle, an internal 10-bit counter provides the row addresses and the external address inputs are ignored.

$\overline{\text{CAS}}$ -before- $\overline{\text{RAS}}$  is a refresh-only mode and no data access or device selection is allowed. Thus, the output remains in the High-Z state during the cycle.

## Self Refresh Cycle

The Self Refresh allows the user a dynamic refresh, data retention mode at the extended refresh period of 128 ms. i.e., 125  $\mu\text{s}$  per row when using distributed CBR refreshes. The feature also allows the user the choice of a fully static, low power data retention mode. The optional Self Refresh feature is initiated by performing a CBR Refresh cycle and holding  $\overline{\text{RAS}}$  LOW for the specified  $t_{\text{RAS}}$ .

The Self Refresh mode is terminated by driving  $\overline{\text{RAS}}$  HIGH for a minimum time of  $t_{\text{RPS}}$ . This delay allows for the completion of any internal refresh cycles that may be in process at the time of the  $\overline{\text{RAS}}$  LOW-to-HIGH transition. If the DRAM controller uses a distributed refresh sequence, a burst refresh is not required upon exiting Self Refresh.

However, if the DRAM controller utilizes a  $\overline{\text{RAS}}$ -only or burst refresh sequence, all 1,024 rows must be refreshed within the average internal refresh rate, prior to the resumption of normal operation.

## Extended Data Out Page Mode

EDO page mode operation permits all 1,024 columns within a selected row to be randomly accessed at a high data rate.

In EDO page mode read cycle, the data-out is held to the next CAS cycle's falling edge, instead of the rising edge. For this reason, the valid data output time in EDO page mode is extended compared with the fast page mode. In the fast page mode, the valid data output time becomes shorter as the  $\overline{\text{CAS}}$  cycle time becomes shorter. Therefore, in EDO page mode, the timing margin in read cycle is larger than that of the fast page mode even if the  $\overline{\text{CAS}}$  cycle time becomes shorter.

In EDO page mode, due to the extended data function, the  $\overline{\text{CAS}}$  cycle time can be shorter than in the fast page mode if the timing margin is the same.

The EDO page mode allows both read and write operations during one  $\overline{\text{RAS}}$  cycle, but the performance is equivalent to that of the fast page mode in that case.

## Power-On

After application of the  $V_{\text{CC}}$  supply, an initial pause of 200  $\mu\text{s}$  is required followed by a minimum of eight initialization cycles (any combination of cycles containing a  $\overline{\text{RAS}}$  signal).

During power-on, it is recommended that  $\overline{\text{RAS}}$  track with  $V_{\text{CC}}$  or be held at a valid  $V_{\text{IH}}$  to avoid current surges.

### ABSOLUTE MAXIMUM RATINGS<sup>(1)</sup>

Symbol	Parameters		Rating	Unit
V <sub>T</sub>	Voltage on Any Pin Relative to GND	5V	-1.0 to +7.0	V
		3.3V	-0.5 to +4.6	
V <sub>CC</sub>	Supply Voltage	5V	-1.0 to +7.0	V
		3.3V	-0.5 to +4.6	
I <sub>OUT</sub>	Output Current		50	mA
P <sub>D</sub>	Power Dissipation		1	W
T <sub>A</sub>	Commercial Operation Temperature		0 to +70	°C
T <sub>STG</sub>	Storage Temperature		-55 to +125	°C

**Note:**

1. Stress greater than those listed under ABSOLUTE MAXIMUM RATINGS may cause permanent damage to the device. This is a stress rating only and functional operation of the device at these or any other conditions above those indicated in the operational sections of this specification is not implied. Exposure to absolute maximum rating conditions for extended periods may affect reliability.

### RECOMMENDED OPERATING CONDITIONS (Voltages are referenced to GND.)

Symbol	Parameter		Min.	Typ.	Max.	Unit
V <sub>CC</sub>	Supply Voltage	5V	4.5	5.0	5.5	V
		3.3V	3.0	3.3	3.6	
V <sub>IH</sub>	Input High Voltage	5V	2.4	—	V <sub>CC</sub> + 1.0	V
		3.3V	2.0	—	V <sub>CC</sub> + 0.3	
V <sub>IL</sub>	Input Low Voltage	5V	-1.0	—	0.8	V
		3.3V	-0.3	—	0.8	
T <sub>A</sub>	Commercial Ambient Temperature		0	—	70	°C

### CAPACITANCE<sup>(1,2)</sup>

Symbol	Parameter	Max.	Unit
C <sub>IN1</sub>	Input Capacitance: A0-A9	5	pF
C <sub>IN2</sub>	Input Capacitance: RAS, UCAS, LCAS, WE, OE	7	pF
C <sub>IO</sub>	Data Input/Output Capacitance: I/O0-I/O15	7	pF

**Notes:**

1. Tested initially and after any design or process changes that may affect these parameters.
2. Test conditions: T<sub>A</sub> = 25°C, f = 1 MHz.

**ELECTRICAL CHARACTERISTICS<sup>(1)</sup>**

(Recommended Operating Conditions unless otherwise noted.)

Symbol	Parameter	Test Condition	Speed	Min.	Max.	Unit
I <sub>IL</sub>	Input Leakage Current	Any input $0V \leq V_{IN} \leq V_{CC}$ Other inputs not under test = 0V		-5	5	μA
I <sub>IO</sub>	Output Leakage Current	Output is disabled (Hi-Z) $0V \leq V_{OUT} \leq V_{CC}$		-5	5	μA
V <sub>OH</sub>	Output High Voltage Level	I <sub>OH</sub> = -5.0 mA (5V) I <sub>OH</sub> = -2.0 mA (3.3V)		2.4	—	V
V <sub>OL</sub>	Output Low Voltage Level	I <sub>OL</sub> = 4.2 mA (5V) I <sub>OL</sub> = 2.0 mA (3.3V)		—	0.4	V
I <sub>CC1</sub>	Standby Current: TTL	$\overline{RAS}, \overline{LCAS}, \overline{UCAS} \geq V_{IH}$ Commerical	5V 3.3V	— —	2 2	mA
I <sub>CC2</sub>	Standby Current: CMOS	$\overline{RAS}, \overline{LCAS}, \overline{UCAS} \geq V_{CC} - 0.2V$	5V 3.3V	— —	1 0.5	mA
I <sub>CC3</sub>	Operating Current: Random Read/Write <sup>(2,3,4)</sup> Average Power Supply Current	$\overline{RAS}, \overline{LCAS}, \overline{UCAS}$ , Address Cycling, t <sub>RC</sub> = t <sub>RC</sub> (min.)	-50 -60	— —	160 145	mA
I <sub>CC4</sub>	Operating Current: EDO Page Mode <sup>(2,3,4)</sup> Average Power Supply Current	$\overline{RAS} = V_{IL}, \overline{LCAS}, \overline{UCAS}$ , Cycling t <sub>PC</sub> = t <sub>PC</sub> (min.)	-50 -60	— —	90 80	mA
I <sub>CC5</sub>	Refresh Current: $\overline{RAS}$ -Only <sup>(2,3)</sup> Average Power Supply Current	$\overline{RAS}$ Cycling, $\overline{LCAS}, \overline{UCAS} \geq V_{IH}$ t <sub>RC</sub> = t <sub>RC</sub> (min.)	-50 -60	— —	160 145	mA
I <sub>CC6</sub>	Refresh Current: CBR <sup>(2,3,5)</sup> Average Power Supply Current	$\overline{RAS}, \overline{LCAS}, \overline{UCAS}$ Cycling t <sub>RC</sub> = t <sub>RC</sub> (min.)	-50 -60	— —	160 145	mA
I <sub>CCS</sub>	Self Refresh Current	Self Refresh mode	5V 3.3V	— —	500 300	μA

**Notes:**

1. An initial pause of 200 μs is required after power-up followed by eight  $\overline{RAS}$  refresh cycles ( $\overline{RAS}$ -Only or CBR) before proper device operation is assured. The eight  $\overline{RAS}$  cycles wake-up should be repeated any time the t<sub>REF</sub> refresh requirement is exceeded.
2. Dependent on cycle rates.
3. Specified values are obtained with minimum cycle time and the output open.
4. Column-address is changed once each EDO page cycle.
5. Enables on-chip refresh and address counters.

**AC CHARACTERISTICS**<sup>(1,2,3,4,5,6)</sup>

(Recommended Operating Conditions unless otherwise noted.)

Symbol	Parameter	-50		-60		Units
		Min.	Max.	Min.	Max.	
t <sub>RC</sub>	Random READ or WRITE Cycle Time	84	—	104	—	ns
t <sub>RAC</sub>	Access Time from $\overline{\text{RAS}}$ <sup>(6, 7)</sup>	—	50	—	60	ns
t <sub>CAC</sub>	Access Time from $\overline{\text{CAS}}$ <sup>(6, 8, 15)</sup>	—	13	—	15	ns
t <sub>AA</sub>	Access Time from Column-Address <sup>(6)</sup>	—	25	—	30	ns
t <sub>RAS</sub>	$\overline{\text{RAS}}$ Pulse Width	50	10K	60	10K	ns
t <sub>RP</sub>	$\overline{\text{RAS}}$ Precharge Time	30	—	40	—	ns
t <sub>CAS</sub>	$\overline{\text{CAS}}$ Pulse Width <sup>(26)</sup>	8	10K	10	10K	ns
t <sub>CP</sub>	$\overline{\text{CAS}}$ Precharge Time <sup>(9, 25)</sup>	10	—	10	—	ns
t <sub>CSH</sub>	$\overline{\text{CAS}}$ Hold Time <sup>(21)</sup>	38	—	40	—	ns
t <sub>RCD</sub>	$\overline{\text{RAS}}$ to $\overline{\text{CAS}}$ Delay Time <sup>(10, 20)</sup>	12	37	14	45	ns
t <sub>ASR</sub>	Row-Address Setup Time	0	—	0	—	ns
t <sub>RAH</sub>	Row-Address Hold Time	8	—	10	—	ns
t <sub>ASC</sub>	Column-Address Setup Time <sup>(20)</sup>	0	—	0	—	ns
t <sub>CAH</sub>	Column-Address Hold Time <sup>(20)</sup>	8	—	10	—	ns
t <sub>RAD</sub>	$\overline{\text{RAS}}$ to Column-Address Delay Time <sup>(11)</sup>	10	25	12	30	ns
t <sub>RAL</sub>	Column-Address to $\overline{\text{RAS}}$ Lead Time	25	—	30	—	ns
t <sub>RSH</sub>	$\overline{\text{RAS}}$ Hold Time <sup>(27)</sup>	8	—	10	—	ns
t <sub>RHCP</sub>	$\overline{\text{RAS}}$ Hold Time from $\overline{\text{CAS}}$ Precharge	35	—	37	—	ns
t <sub>CLZ</sub>	$\overline{\text{CAS}}$ to Output in Low-Z <sup>(15, 29)</sup>	0	—	0	—	ns
t <sub>CRP</sub>	$\overline{\text{CAS}}$ to $\overline{\text{RAS}}$ Precharge Time <sup>(21)</sup>	5	—	5	—	ns
t <sub>OD</sub>	Output Disable Time <sup>(19, 28, 29)</sup>	0	12	0	15	ns
t <sub>OE</sub>	Output Enable Time <sup>(15, 16)</sup>	—	12	—	15	ns
t <sub>OE D</sub>	Output Enable Data Delay (Write)	20	—	20	—	ns
t <sub>OE H C</sub>	OE HIGH Hold Time from CAS HIGH	5	—	5	—	ns
t <sub>OE P</sub>	OE HIGH Pulse Width	10	—	10	—	ns
t <sub>RCS</sub>	Read Command Setup Time <sup>(17, 20)</sup>	5	—	5	—	ns
t <sub>RRH</sub>	Read Command Hold Time (referenced to $\overline{\text{RAS}}$ ) <sup>(12)</sup>	10	—	10	—	ns
t <sub>RCH</sub>	Read Command Hold Time (referenced to $\overline{\text{CAS}}$ ) <sup>(12, 17, 21)</sup>	0	—	0	—	ns
t <sub>WCH</sub>	Write Command Hold Time <sup>(17, 27)</sup>	8	—	10	—	ns
t <sub>WP</sub>	Write Command Pulse Width <sup>(17)</sup>	8	—	10	—	ns
t <sub>WPZ</sub>	$\overline{\text{WE}}$ Pulse Widths to Disable Outputs	10	—	10	—	ns
t <sub>RWL</sub>	Write Command to $\overline{\text{RAS}}$ Lead Time <sup>(17)</sup>	13	—	15	—	ns
t <sub>CWL</sub>	Write Command to $\overline{\text{CAS}}$ Lead Time <sup>(17, 21)</sup>	8	—	10	—	ns
t <sub>WCS</sub>	Write Command Setup Time <sup>(14, 17, 20)</sup>	0	—	0	—	ns



**AC CHARACTERISTICS (Continued)<sup>(1,2,3,4,5,6)</sup>**

(Recommended Operating Conditions unless otherwise noted.)

Symbol	Parameter	-50		-60		Units
		Min.	Max.	Min.	Max.	
tOEH	OE Hold Time from WE during READ-MODIFY-WRITE cycle <sup>(18)</sup>	8	—	10	—	ns
tDS	Data-In Setup Time <sup>(15, 22)</sup>	0	—	0	—	ns
tDH	Data-In Hold Time <sup>(15, 22)</sup>	8	—	10	—	ns
tRWC	READ-MODIFY-WRITE Cycle Time	108	—	133	—	ns
tRWD	RAS to WE Delay Time during READ-MODIFY-WRITE Cycle <sup>(14)</sup>	64	—	77	—	ns
tCWD	CAS to WE Delay Time <sup>(14, 20)</sup>	26	—	32	—	ns
tAWD	Column-Address to WE Delay Time <sup>(14)</sup>	39	—	47	—	ns
tPC	EDO Page Mode READ or WRITE Cycle Time <sup>(24)</sup>	20	—	25	—	ns
tRASP	RAS Pulse Width in EDO Page Mode	50	100K	60	100K	ns
tCPA	Access Time from CAS Precharge <sup>(15)</sup>	—	30	—	35	ns
tPRWC	EDO Page Mode READ-WRITE Cycle Time <sup>(24)</sup>	56	—	68	—	ns
tCOH	Data Output Hold after CAS LOW	5	—	5	—	ns
tOFF	Output Buffer Turn-Off Delay from CAS or RAS <sup>(13,15,19, 29)</sup>	0	12	0	15	ns
tWHZ	Output Disable Delay from WE	3	10	3	10	ns
tCSR	CAS Setup Time (CBR REFRESH) <sup>(30, 20)</sup>	5	—	5	—	ns
tCHR	CAS Hold Time (CBR REFRESH) <sup>(30, 21)</sup>	8	—	10	—	ns
tRPC	RAS to CAS Precharge Time	5	—	5	—	ns
tORD	OE Setup Time prior to RAS during HIDDEN REFRESH Cycle	0	—	0	—	ns
tREF	Auto Refresh Period (1,024 Cycles)	—	16	—	16	ms
tT	Transition Time (Rise or Fall) <sup>(2, 3)</sup>	1	50	1	50	ns

**AC TEST CONDITIONS**

Output load: Two TTL Loads and 50 pF (V<sub>CC</sub> = 5.0V ±10%)  
One TTL Load and 50 pF (V<sub>CC</sub> = 3.3V ±10%)

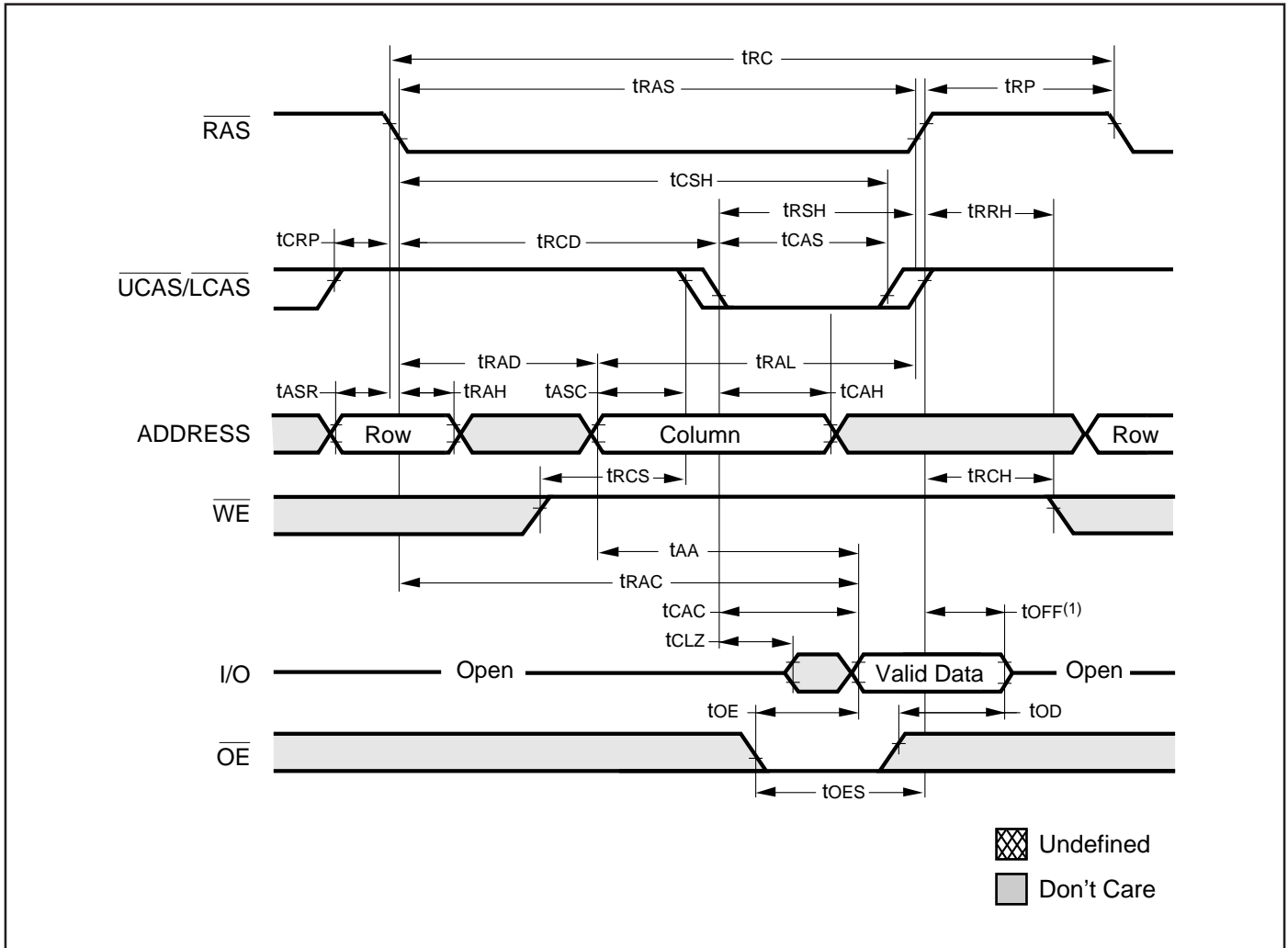
Input timing reference levels: V<sub>IH</sub> = 2.4V, V<sub>IL</sub> = 0.8V (V<sub>CC</sub> = 5.0V ±10%);  
V<sub>IH</sub> = 2.0V, V<sub>IL</sub> = 0.8V (V<sub>CC</sub> = 3.3V ±10%)

Output timing reference levels: V<sub>OH</sub> = 2.0V, V<sub>OL</sub> = 0.8V (V<sub>CC</sub> = 5V ±10%, 3.3V ±10%)

**Notes:**

1. An initial pause of 200  $\mu$ s is required after power-up followed by eight  $\overline{\text{RAS}}$  refresh cycle ( $\overline{\text{RAS}}$ -Only or CBR) before proper device operation is assured. The eight  $\overline{\text{RAS}}$  cycles wake-up should be repeated any time the  $t_{\text{REF}}$  refresh requirement is exceeded.
2.  $V_{\text{IH}}$  (MIN) and  $V_{\text{IL}}$  (MAX) are reference levels for measuring timing of input signals. Transition times, are measured between  $V_{\text{IH}}$  and  $V_{\text{IL}}$  (or between  $V_{\text{IL}}$  and  $V_{\text{IH}}$ ) and assume to be 1 ns for all inputs.
3. In addition to meeting the transition rate specification, all input signals must transit between  $V_{\text{IH}}$  and  $V_{\text{IL}}$  (or between  $V_{\text{IL}}$  and  $V_{\text{IH}}$ ) in a monotonic manner.
4. If  $\overline{\text{CAS}}$  and  $\overline{\text{RAS}} = V_{\text{IH}}$ , data output is High-Z.
5. If  $\overline{\text{CAS}} = V_{\text{IL}}$ , data output may contain data from the last valid READ cycle.
6. Measured with a load equivalent to one TTL gate and 50 pF.
7. Assumes that  $t_{\text{RCD}} < t_{\text{RCD}}(\text{MAX})$ . If  $t_{\text{RCD}}$  is greater than the maximum recommended value shown in this table,  $t_{\text{RAC}}$  will increase by the amount that  $t_{\text{RCD}}$  exceeds the value shown.
8. Assumes that  $t_{\text{RCD}} > t_{\text{RCD}}(\text{MAX})$ .
9. If  $\overline{\text{CAS}}$  is LOW at the falling edge of  $\overline{\text{RAS}}$ , data out will be maintained from the previous cycle. To initiate a new cycle and clear the data output buffer,  $\overline{\text{CAS}}$  and  $\overline{\text{RAS}}$  must be pulsed for  $t_{\text{CP}}$ .
10. Operation with the  $t_{\text{RCD}}(\text{MAX})$  limit ensures that  $t_{\text{RAC}}(\text{MAX})$  can be met.  $t_{\text{RCD}}(\text{MAX})$  is specified as a reference point only; if  $t_{\text{RCD}}$  is greater than the specified  $t_{\text{RCD}}(\text{MAX})$  limit, access time is controlled exclusively by  $t_{\text{CAC}}$ .
11. Operation within the  $t_{\text{RAD}}(\text{MAX})$  limit ensures that  $t_{\text{RCD}}(\text{MAX})$  can be met.  $t_{\text{RAD}}(\text{MAX})$  is specified as a reference point only; if  $t_{\text{RAD}}$  is greater than the specified  $t_{\text{RAD}}(\text{MAX})$  limit, access time is controlled exclusively by  $t_{\text{AA}}$ .
12. Either  $t_{\text{RCH}}$  or  $t_{\text{RRH}}$  must be satisfied for a READ cycle.
13.  $t_{\text{OFF}}(\text{MAX})$  defines the time at which the output achieves the open circuit condition; it is not a reference to  $V_{\text{OH}}$  or  $V_{\text{OL}}$ .
14.  $t_{\text{WCS}}$ ,  $t_{\text{RWD}}$ ,  $t_{\text{AWD}}$  and  $t_{\text{CWD}}$  are restrictive operating parameters in LATE WRITE and READ-MODIFY-WRITE cycle only. If  $t_{\text{WCS}} > t_{\text{WCS}}(\text{MIN})$ , the cycle is an EARLY WRITE cycle and the data output will remain open circuit throughout the entire cycle. If  $t_{\text{RWD}} > t_{\text{RWD}}(\text{MIN})$ ,  $t_{\text{AWD}} > t_{\text{AWD}}(\text{MIN})$  and  $t_{\text{CWD}} > t_{\text{CWD}}(\text{MIN})$ , the cycle is a READ-WRITE cycle and the data output will contain data read from the selected cell. If neither of the above conditions is met, the state of I/O (at access time and until  $\overline{\text{CAS}}$  and  $\overline{\text{RAS}}$  or  $\overline{\text{OE}}$  go back to  $V_{\text{IH}}$ ) is indeterminate.  $\overline{\text{OE}}$  held HIGH and  $\overline{\text{WE}}$  taken LOW after  $\overline{\text{CAS}}$  goes LOW result in a LATE WRITE ( $\overline{\text{OE}}$ -controlled) cycle.
15. Output parameter (I/O) is referenced to corresponding  $\overline{\text{CAS}}$  input, I/O0-I/O7 by  $\overline{\text{LCAS}}$  and I/O8-I/O15 by  $\overline{\text{UCAS}}$ .
16. During a READ cycle, if  $\overline{\text{OE}}$  is LOW then taken HIGH before  $\overline{\text{CAS}}$  goes HIGH, I/O goes open. If  $\overline{\text{OE}}$  is tied permanently LOW, a LATE WRITE or READ-MODIFY-WRITE is not possible.
17. Write command is defined as  $\overline{\text{WE}}$  going low.
18. LATE WRITE and READ-MODIFY-WRITE cycles must have both  $t_{\text{OD}}$  and  $t_{\text{OEH}}$  met ( $\overline{\text{OE}}$  HIGH during WRITE cycle) in order to ensure that the output buffers will be open during the WRITE cycle. The I/Os will provide the previously written data if  $\overline{\text{CAS}}$  remains LOW and  $\overline{\text{OE}}$  is taken back to LOW after  $t_{\text{OEH}}$  is met.
19. The I/Os are in open during READ cycles once  $t_{\text{OD}}$  or  $t_{\text{OFF}}$  occur.
20. The first  $\chi\overline{\text{CAS}}$  edge to transition LOW.
21. The last  $\chi\overline{\text{CAS}}$  edge to transition HIGH.
22. These parameters are referenced to  $\overline{\text{CAS}}$  leading edge in EARLY WRITE cycles and  $\overline{\text{WE}}$  leading edge in LATE WRITE or READ-MODIFY-WRITE cycles.
23. Last falling  $\chi\overline{\text{CAS}}$  edge to first rising  $\chi\overline{\text{CAS}}$  edge.
24. Last rising  $\chi\overline{\text{CAS}}$  edge to next cycle's last rising  $\chi\overline{\text{CAS}}$  edge.
25. Last rising  $\chi\overline{\text{CAS}}$  edge to first falling  $\chi\overline{\text{CAS}}$  edge.
26. Each  $\chi\overline{\text{CAS}}$  must meet minimum pulse width.
27. Last  $\chi\overline{\text{CAS}}$  to go LOW.
28. I/Os controlled, regardless  $\overline{\text{UCAS}}$  and  $\overline{\text{LCAS}}$ .
29. The 3 ns minimum is a parameter guaranteed by design.
30. Enables on-chip refresh and address counters.

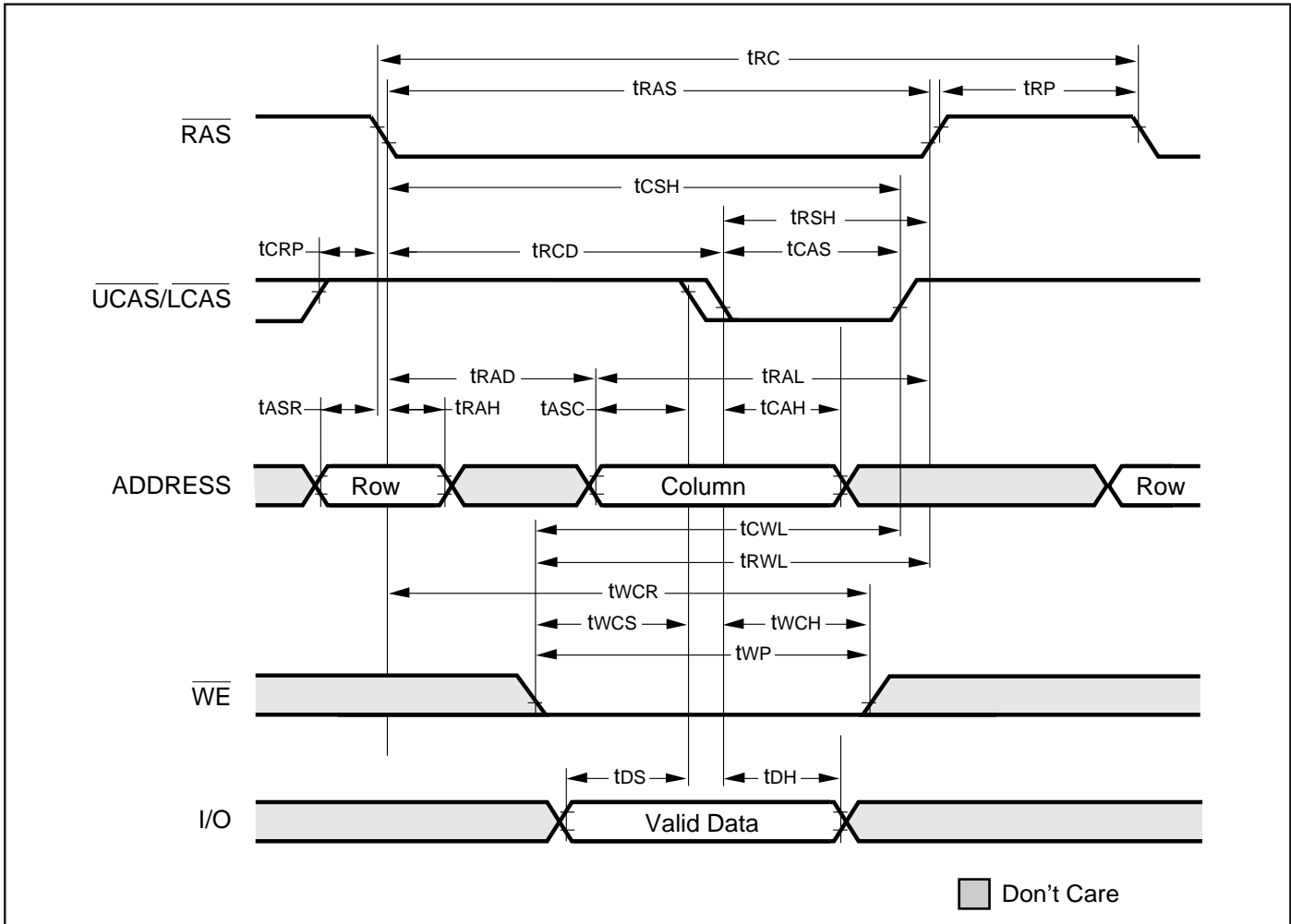
READ CYCLE



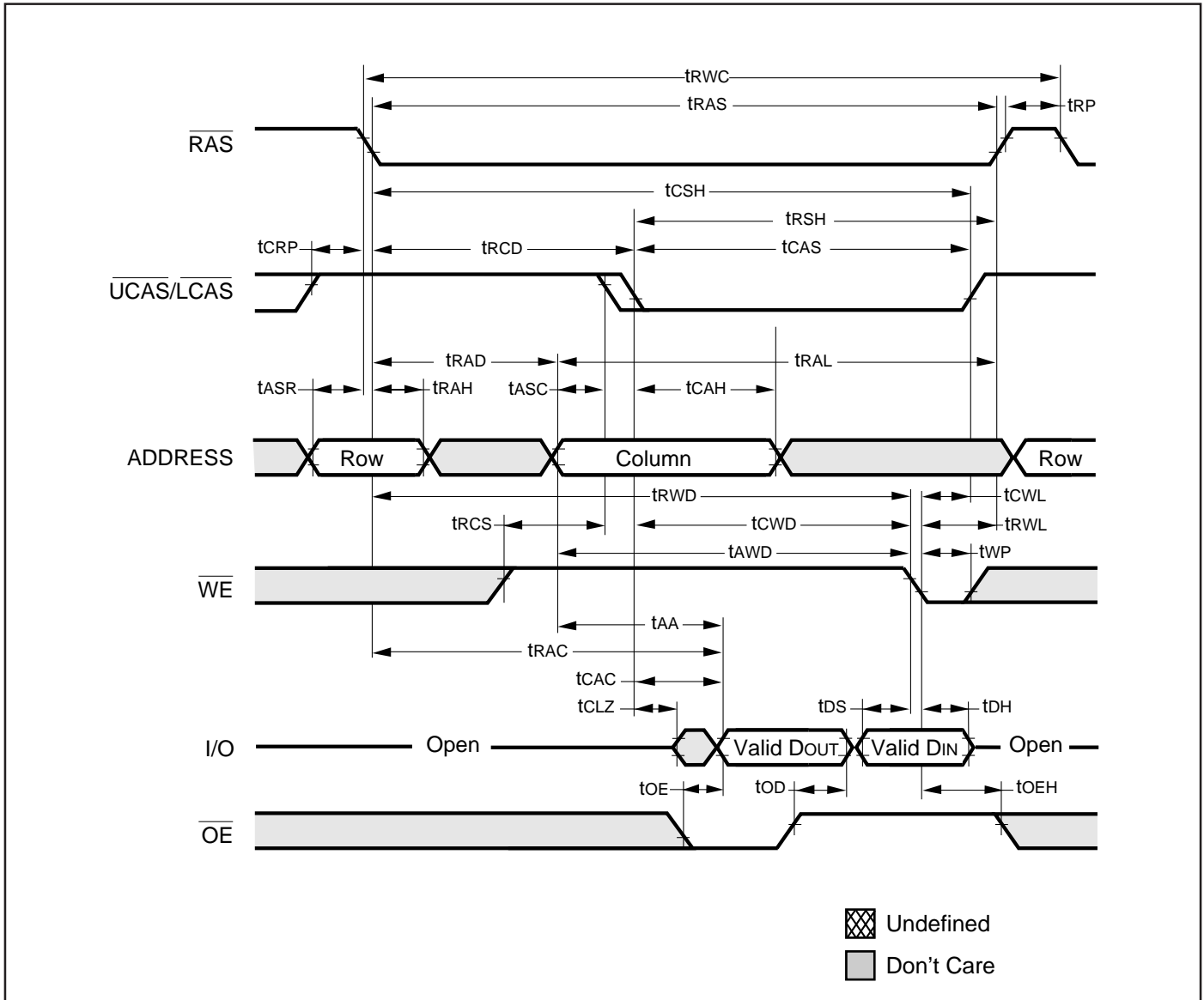
**Note:**

1.  $t_{OFF}$  is referenced from rising edge of  $\overline{RAS}$  or  $\overline{CAS}$ , whichever occurs last.

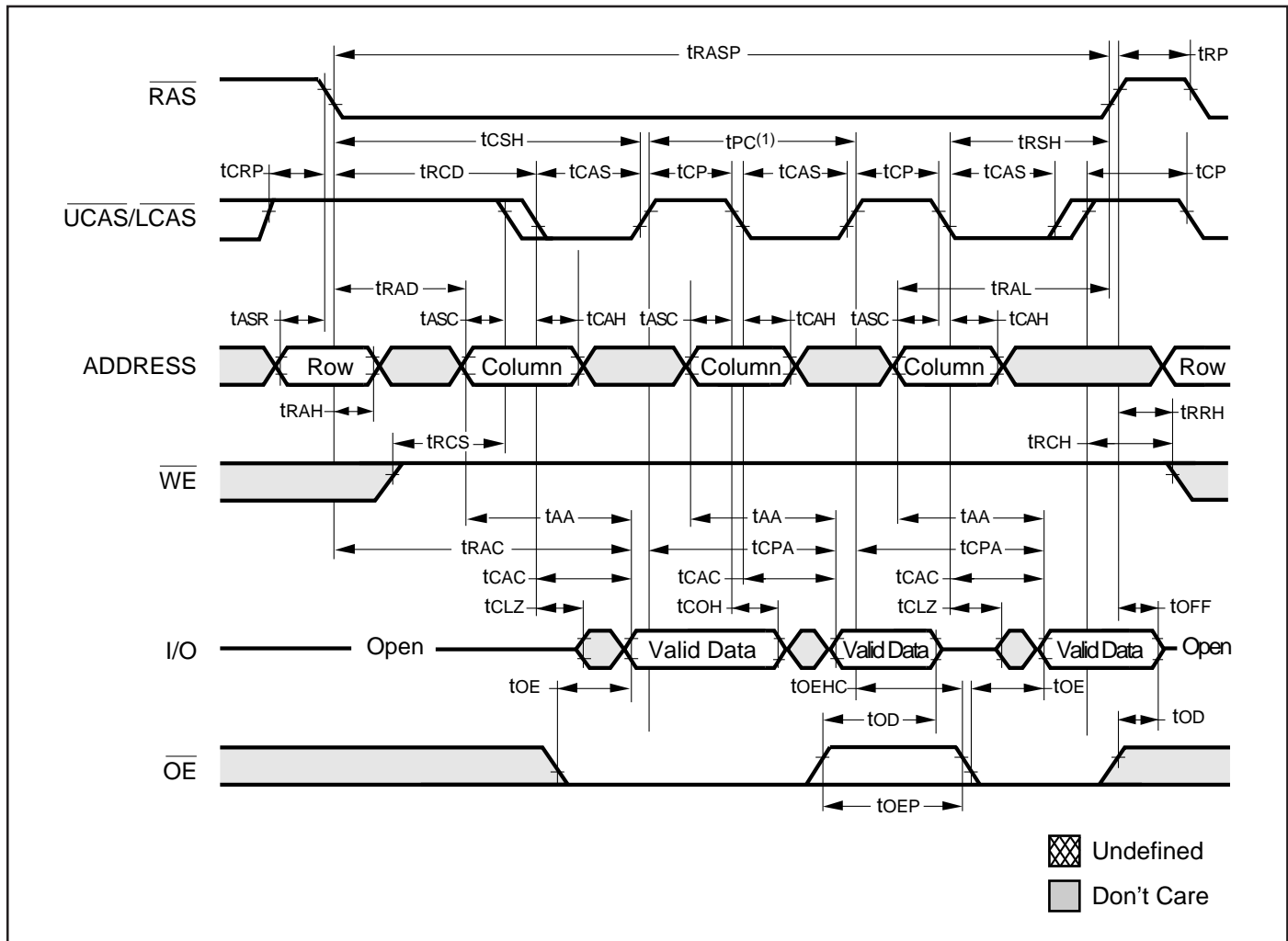
EARLY WRITE CYCLE ( $\overline{OE}$  = DON'T CARE)



**READ WRITE CYCLE** (LATE WRITE and READ-MODIFY-WRITE Cycles)



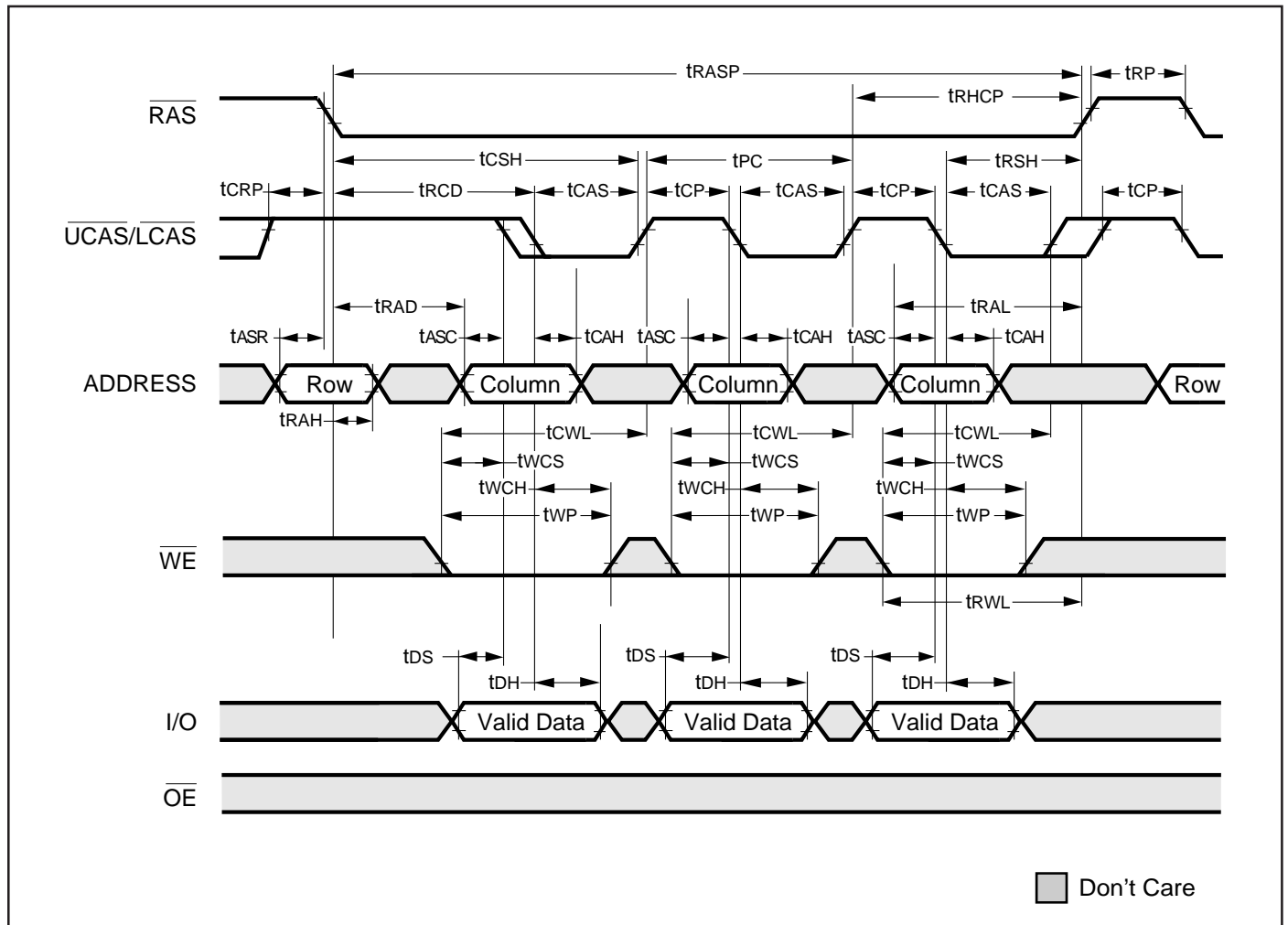
EDO-PAGE-MODE READ CYCLE



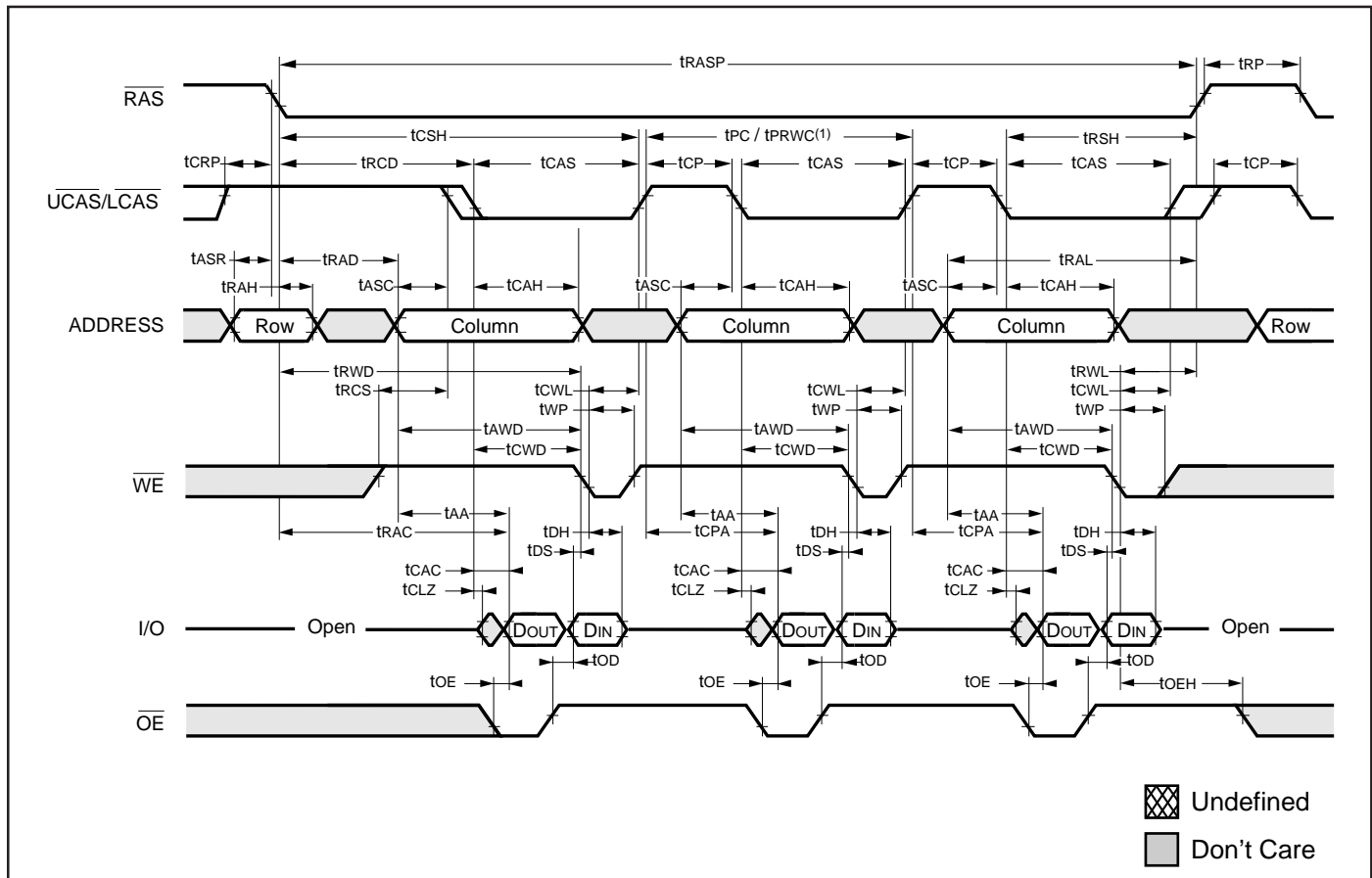
Note:

1. tpc can be measured from falling edge of  $\overline{\text{CAS}}$  to falling edge of  $\overline{\text{CAS}}$ , or from rising edge of  $\overline{\text{CAS}}$  to rising edge of  $\overline{\text{CAS}}$ . Both measurements must meet the tpc specifications.

EDO-PAGE-MODE EARLY-WRITE CYCLE



EDO-PAGE-MODE READ-WRITE CYCLE (LATE WRITE and READ-MODIFY WRITE Cycles)

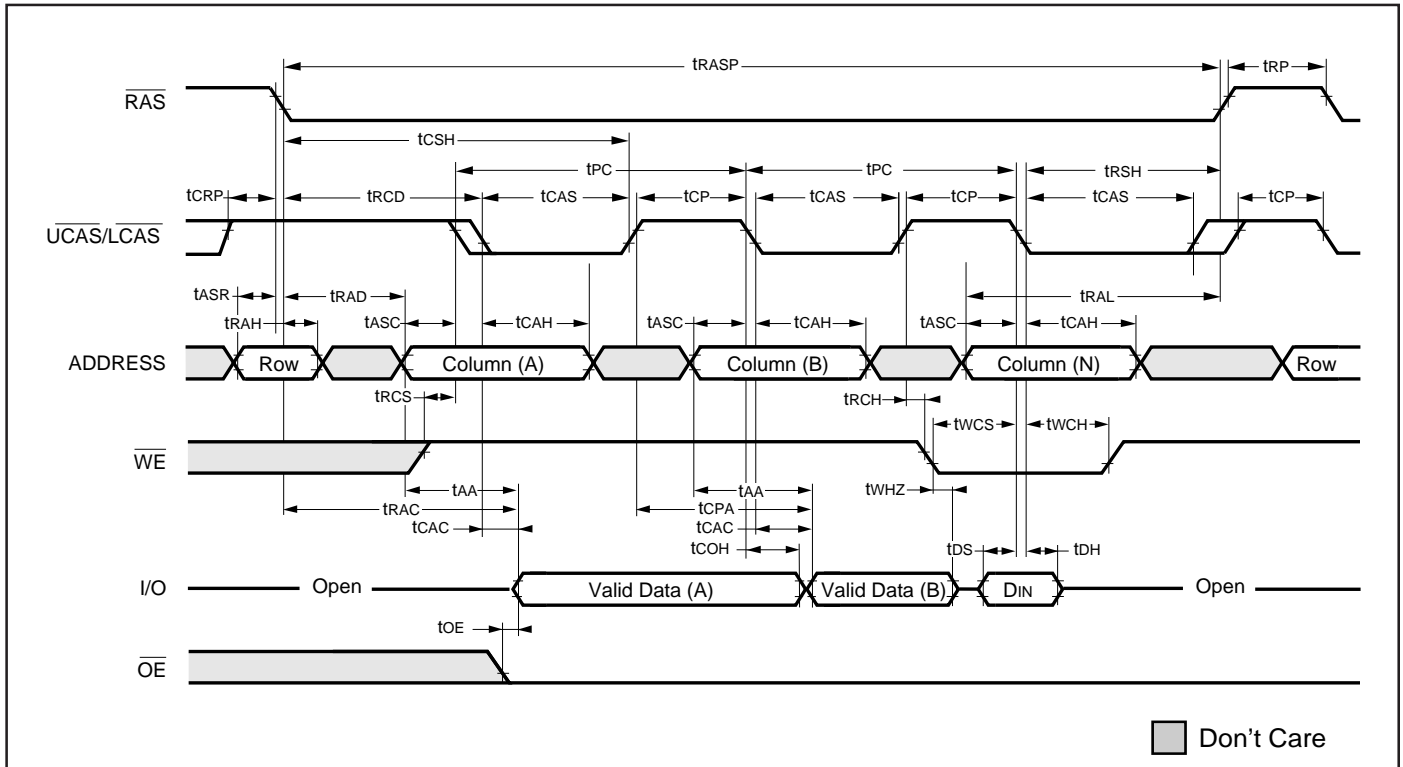


**Note:**

1.  $t_{pc}$  is for LATE WRITE only.  $t_{pc}$  can be measured from falling edge of  $\overline{CAS}$  to falling edge of  $\overline{CAS}$ , or from rising edge of  $\overline{CAS}$  to rising edge of  $\overline{CAS}$ . Both measurements must meet the  $t_{pc}$  specifications.

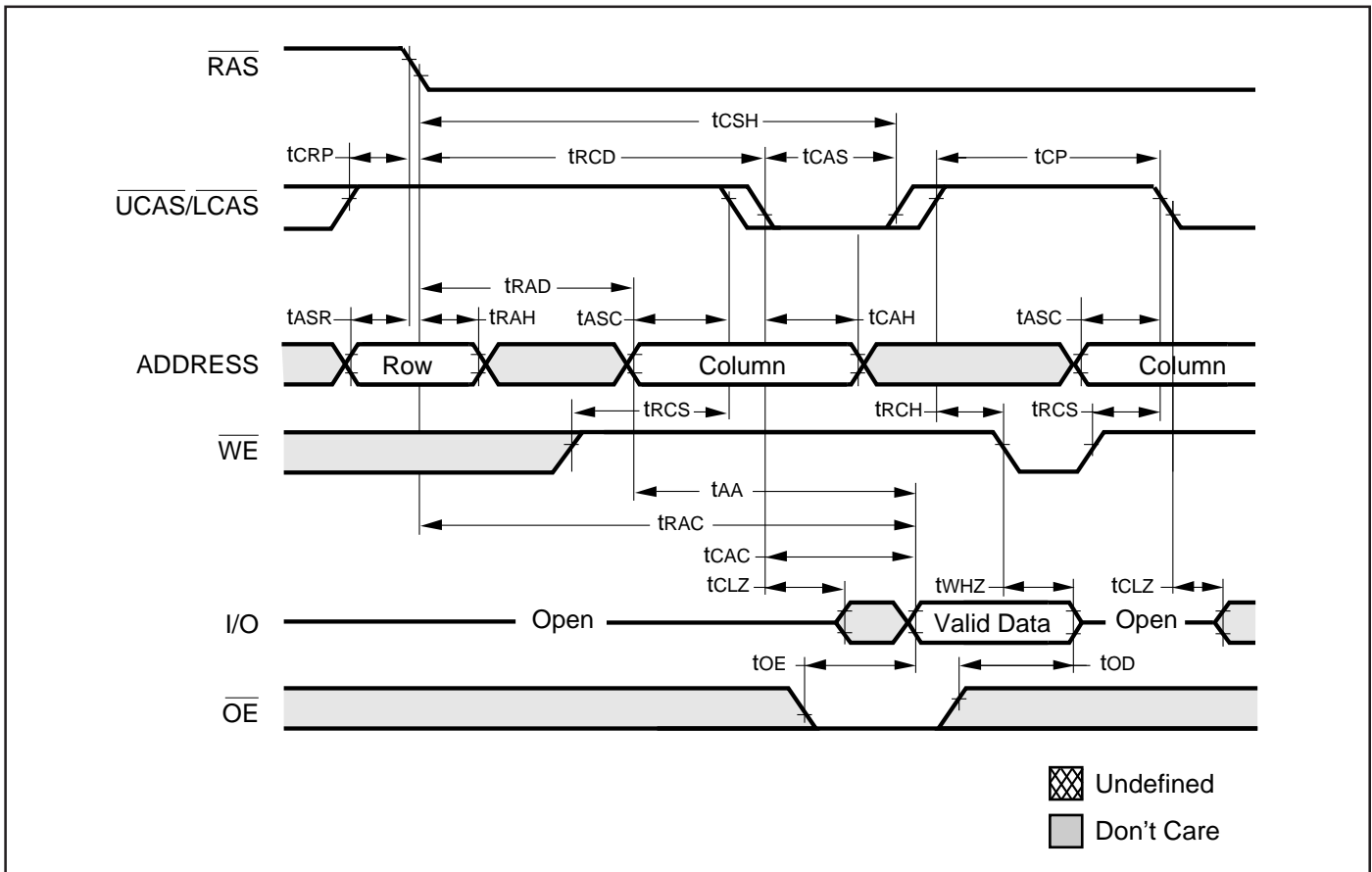


**EDO-PAGE-MODE READ-EARLY-WRITE CYCLE (Psuedo READ-MODIFY WRITE)**

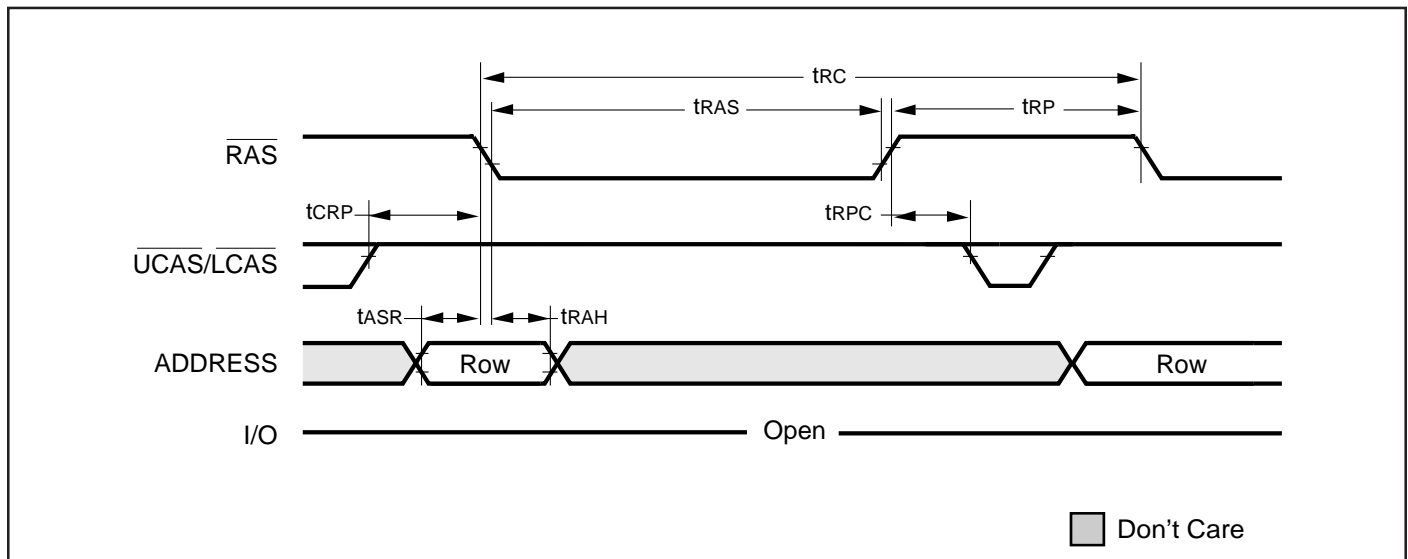


AC WAVEFORMS

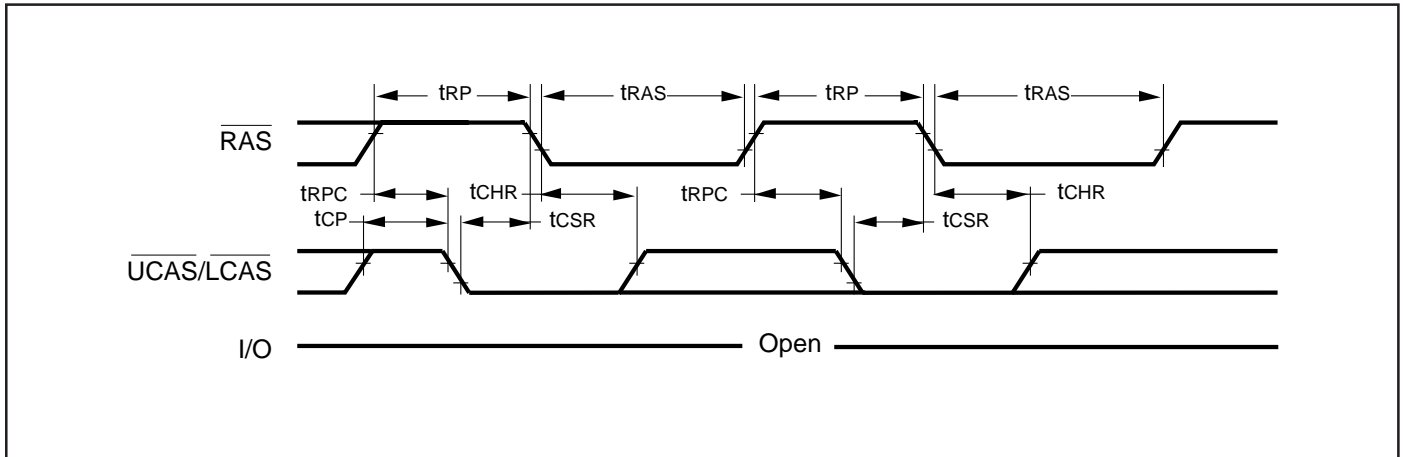
READ CYCLE (With  $\overline{WE}$ -Controlled Disable)



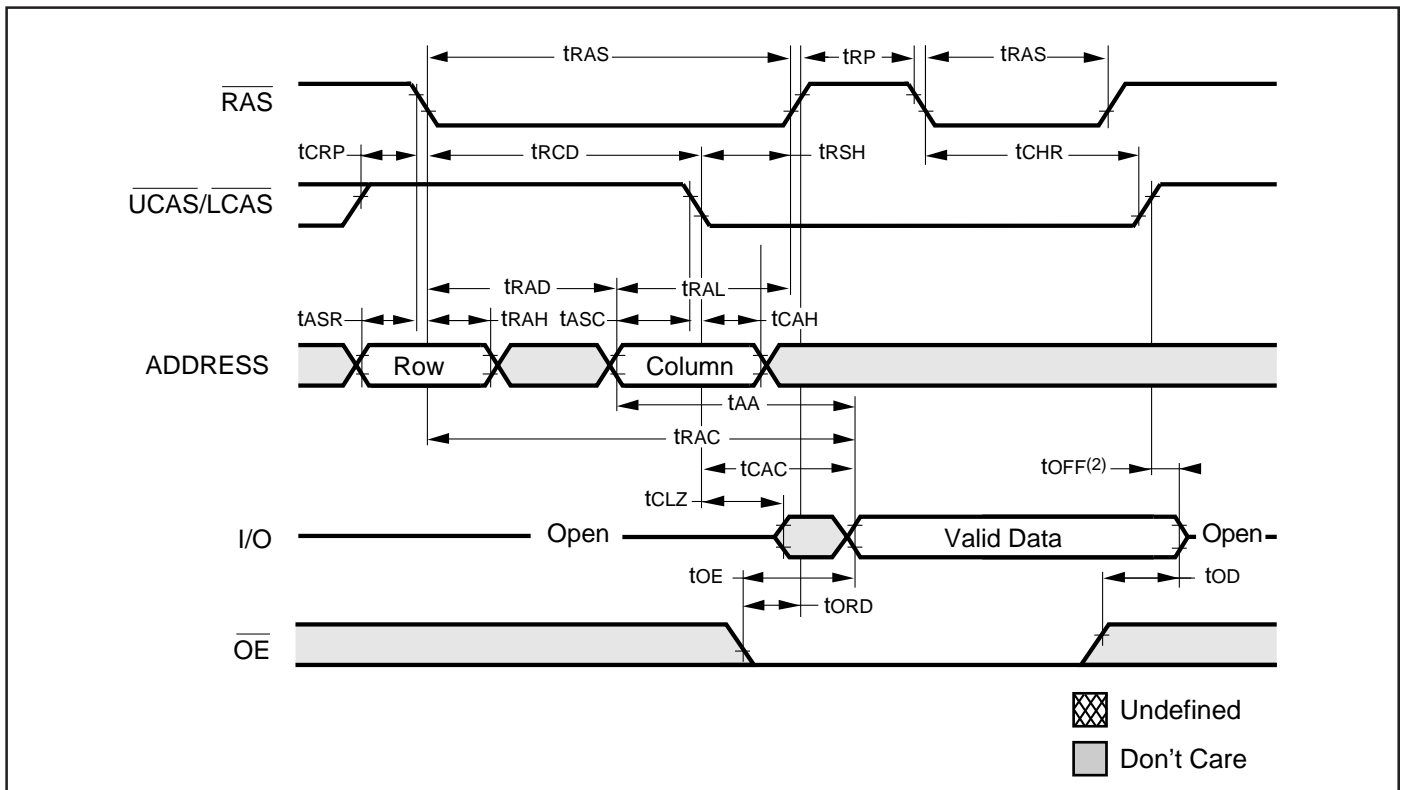
RAS-ONLY REFRESH CYCLE ( $\overline{OE}$ ,  $\overline{WE}$  = DON'T CARE)



**CBR REFRESH CYCLE** (Addresses;  $\overline{WE}$ ,  $\overline{OE}$  = DON'T CARE)



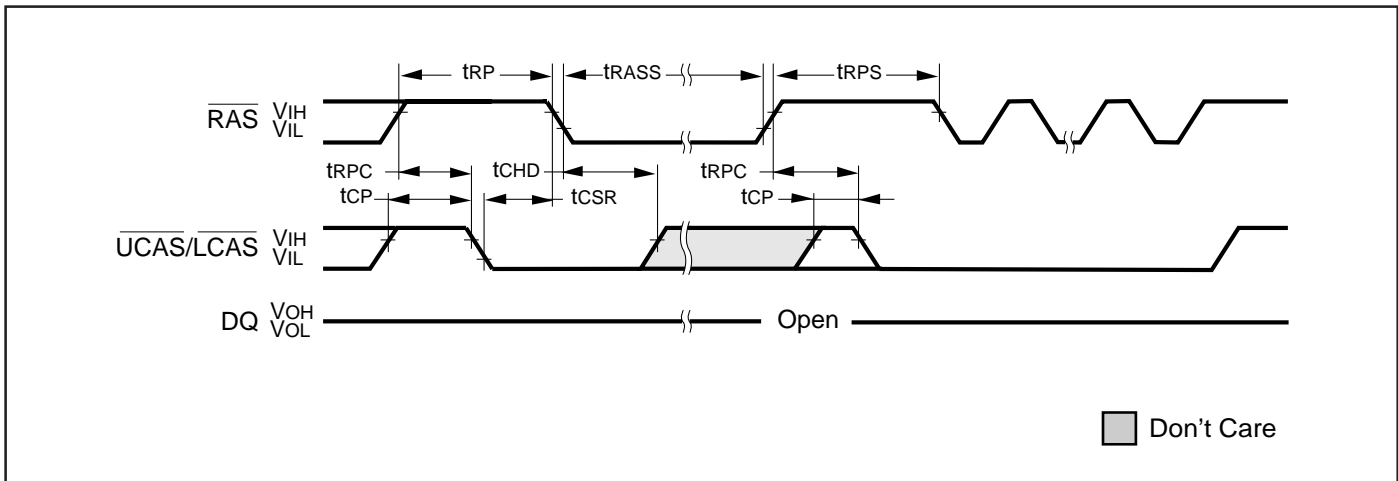
**HIDDEN REFRESH CYCLE<sup>(1)</sup>** ( $\overline{WE}$  = HIGH;  $\overline{OE}$  = LOW)



**Notes:**

1. A Hidden Refresh may also be performed after a Write Cycle. In this case,  $\overline{WE}$  = LOW and  $\overline{OE}$  = HIGH.
2.  $t_{OFF}$  is referenced from rising edge of  $\overline{RAS}$  or  $\overline{CAS}$ , whichever occurs last.

**SELF REFRESH CYCLE** (Addresses :  $\overline{WE}$  and  $\overline{OE}$  = DON'T CARE)



**TIMING PARAMETERS**

Symbol	-50		-60		Units
	Min.	Max.	Min.	Max.	
tCHD	8	—	10	—	ns
tCP	10	—	10	—	ns
tCSR	5	—	5	—	ns
tRASS	100	—	100	—	μs
tRP	30	—	40	—	ns
tRPS	84	—	104	—	ns
tRPC	5	—	5	—	ns

**ORDERING INFORMATION: 5V**

Commercial Range: 0°C to 70°C

Speed (ns)	Order Part No.	Package
50	IC41C16100A-50K	400mil SOJ
	IC41C16100A-50T	400mil TSOP-2
60	IC41C16100A-60K	400mil SOJ
	IC41C16100A-60T	400mil TSOP-2

**ORDERING INFORMATION: 5V**

Commercial Range: 0°C to 70°C

Speed (ns)	Order Part No.	Package
50	IC41C16100AS-50K	400mil SOJ
	IC41C16100AS-50T	400mil TSOP-2
60	IC41C16100AS-60K	400mil SOJ
	IC41C16100AS-60T	400mil TSOP-2

**ORDERING INFORMATION: 3.3V**

**Commercial Range: 0°C to 70°C**

Speed (ns)	Order Part No.	Package
50	IC41LV16100A-50K	400mil SOJ
	IC41LV16100A-50T	400mil TSOP-2
60	IC41LV16100A-60K	400mil SOJ
	IC41LV16100A-60T	400mil TSOP-2

**ORDERING INFORMATION: 3.3V**

**Commercial Range: 0°C to 70°C**

Speed (ns)	Order Part No.	Package
50	IC41LV16100AS-50K	400mil SOJ
	IC41LV16100AS-50T	400mil TSOP-2
60	IC41LV16100AS-60K	400mil SOJ
	IC41LV16100AS-60T	400mil TSOP-2



***Integrated Circuit Solution Inc.***

HEADQUARTER:  
NO.2, TECHNOLOGY RD. V, SCIENCE-BASED INDUSTRIAL PARK,  
HSIN-CHU, TAIWAN, R.O.C.  
TEL: 886-3-5780333  
Fax: 886-3-5783000

BRANCH OFFICE:  
7F, NO. 106, SEC. 1, HSIN-TAI 5<sup>TH</sup> ROAD,  
HSICHIH TAIPEI COUNTY, TAIWAN, R.O.C.  
TEL: 886-2-26962140  
FAX: 886-2-26962252  
<http://www.icsi.com.tw>