

Digital Satellite Network Interface Module 115-T-7121TPA

APPLICATIONS

- Set-Top Box applications for DVB-S and DSS
- Digital Satellite MODEM

FEATURES

- 950 ~ 2150 MHz tuning range
- 1 ~ 45M symbol rate supported, thus suitable for SCPC and MCPC application
- Internal AGC monitor out
- I2C-bus control for tuner PLL and for LINK IC
- Loop through output
- Both parallel and serial output transport stream interface
- 22KHz tone output for LNB and DiSEqC
- Viterbi BER monitoring
- Regulated transport interface, DATA_CLK polarity selection supported
- System clock generation PLL with low frequency external clock

History

Initial Release	
Release 1.0	Nov. 15 1999
Release 1.1	Nov. 5. 2000, port switching @ 1500Mhz
Release 1.2	Feb. 2. 2001, pin#10(PORT2) to GND

**HYNIX Semiconductor Co. LTD.
System IC Division**

TEL: 82-2-3459-3168

Contents

1. General Specification of RF Tuner.....	3
2. Electrical Specification of RF Tuner.....	4
3. Tuner Synthesizer PLL Information.....	4
4. General Specification of LINK IC.....	6
5. Electrical Specification of LINK IC.....	8
6. NIM Configuration.....	8

Contents of Table

Fig. 1 RF Tuner Block Diagram(ZIF version).....	10
Fig. 2 LINK IC(HDM8513A) block diagram.....	11
Fig. 3 Output Timing Diagram for DVB.....	12
Fig. 4 Output Timing Diagram for DSS.....	12

1. General Specification of RF Tuner¹

1.1 Power Supply

ITEM	MIN	TYPICAL	MAX	UNIT
5V Supply Voltage	4.75	5	5.25	V
5V Supply Current		230	260	mA
Tuning Voltage	28	30	33	V
Tuning Current			2	mA
LNB Voltage				
LNB Supply Current			500	mA

1.2 Ambient Conditions

ITEM	MIN	TYPICAL	MAX	UNIT
Operating Temperature	0		60	°C
Storage Temperature	-20		70	°C
Operating Humidity			85	%
Storage Humidity			90	%

1.3 Antenna Terminal

- RF Input: f-type, 75Ω
- RF Loop-through: f-type, 75Ω

1.4 Down Conversion

- Broad band IQ down conversion, integrated in ZIF IC

1.5 I/Q Demodulator

- Integrated in ZIF IC

1.6 AGC Voltage

- 0 ~ 5V DC

¹ See Fig. 1 for block diagram.

2. Electrical Specification of RF Tuner

Test Condition

Supply voltage

B+(5V): 5V±0.1V

VT(30V): 28V±0.1V

Ambient temperature: 25°C±5°C

Ambient humidity: 65%±10%

ITEM	MIN	TYPICAL	MAX	UNIT	CONDITION
2.1 Input Level	-65		-25	dBm	
2.2 Input VSWR		2	3		
2.3 Noise Figure		6	12	dB	
2.4 3 rd Order Inter modulation Rejection Ratio	40			dB	-25dBm level difference
2.5 Local Oscillation Signal Leakage at RF Input Terminal		-65	-50	dBm	
2.6 Gain Deviation		5	10	dB	950~2150MHz
2.7 Phase Noise @10KHz @100KHz		-75 -95	-70 -90	dBc/Hz	
2.8 I/Q Level Imbalance			±1	dB	I relative
2.9 I/Q Phase Error			±3	DEG	
2.10 I/Q Baseband Flatness			±3	dB	
2.11 I/Q Output Level		600		mVp-p	1KΩ, 15pF load
2.12 I/Q Output Impedance		250		Ω	

3. Tuner Synthesizer PLL Information

3.1 IC adopted : SP5769

3.2 I2C address: 0xC2, fixed internally

3.3 Write Registers

		MSB							LSB	
Prog. divider	Byte1	0	N14	N13	N12	N11	N10	N9	N8	A
Prog. divider	Byte2	N7	N6	N5	N4	N3	N2	N1	N0	A
Control data	Byte3	1	T2	T1	T0	R3	R2	R1	R0	A
Control data	Byte4	C1	C0	RE	RS	P3	P2	P1	P0	A

A: Acknowledge bit

N14~N0: Programmable divider bits

$$N = N14 \times 2^{14} + N13 \times 2^{13} + \dots + N1 \times 2^1 + N0$$

R3,R2,R1,R0: Reference Division Ratio(See Table 1)

C0,C1: Charge pump current(See Table 2)

RE, RS: Not used, for normal operation RE=0 and RS=don't care

T2,T1,T0: Test mode control, for normal operation T2=0 and T1=T0=don't care

P3,P2,P1,P0: Port output states, for normal operation P3=P2=P0=don't care, P1 is used for switching local oscillator, i.e. if $f_{LO} < 1500\text{MHz}$ then P1=1, else P1=0

Table 1 Reference Division Ratio (4MHz external reference)

R3	R2	R1	R0	Ratio	Comparison frequency
0	0	0	0	2	2MHz
0	0	0	1	4	1MHz
0	0	1	0	8	500KHz
0	0	1	1	16	250KHz
0	1	0	0	32	125KHz
0	1	0	1	64	62.5KHz
0	1	1	0	128	31.25KHz
0	1	1	1	256	15.62KHz
1	0	0	0	24	166.67KHz
1	0	0	1	5	800KHz
1	0	1	0	10	400KHz
1	0	1	1	20	200KHz
1	1	0	0	40	100KHz
1	1	0	1	80	50KHz
1	1	1	0	160	25KHz
1	1	1	1	320	12.5KHz

* Recommended, 125KHz

Table 2 Charge Pump Current

C1 byte 5, bit 1	C0 byte 5, bit 2	CURRENT(uA)		
		MIN	TYPICAL	MAX
0	0	±98	±130	±162
0	1	±210	±280	±350
1	0	±450	±600	±750
1	1	±975	±1300	±1625

* Recommended, C1=1, C0=0

Example for determining programmable divider

Desired channel frequency =

LO frequency(f_{LO}) =

1200MHz

if f_{REF} =125KHz

thus ratio = 32, R3=0, R2=1, R1=0, R0=0

then Programmable divider =

$$f_{LO} (1/f_{REF}) =$$

$$(1200.0E6/1)(1/125.0E3) =$$

$$9600 = 0x2580$$

3.4 Read Register

		MSB							LSB	
Status byte	Byte1	POR	FL	0	0	0	0	0	0	A

A: Acknowledge bit

POR: Power-On reset indicator

FL: PLL lock flag (FL=1 if locked)

* PLL lock-up time: TBD

4. General Specification of LINK IC²

4.1 IC adopted: HDM8513A³

² See Fig. 2 for block diagram.

³ Register information is not included in this specification, see *HDM8513A Users Manual* for detail

4.2 I2C address: 0xe8, fixed internally

4.3 Power Supply

	MIN	TYPICAL	MAX	UNIT
3.3V Supply Voltage	3.0	3.3	3.6	V
3.3V Supply Current		367 (@30Msps, 1/2 inner rate)	420	mA

4.4 Ambient Conditions

ITEM	MIN	TYPICAL	MAX	UNIT
Operating Temperature	-10		70	°C
Storage Temperature	-65		150	°C

4.5 LINK IC functionality

ITEM	DESCRIPTION	NOTE
ADC	6 bit dual sigma-delta ADC	60MHz
System Clock Generation	Internal PLL with external reference clock	
QPSK Demodulation	<ul style="list-style-type: none"> - Root-raised cosine filter with roll-off 0.35 - Digital carrier recovery loop (autonomous sweep functionality) - Digital symbol recovery loop - Digital AGC (0~3V DC) 	
Viterbi Decoding	1/2, 2/3, 3/4, 5/6, 7/8 with constraint length K=7	6/7 for DSS
Deinterleaving	interleaving depth I=12	
ReedSolomon Decoding	(204, 188, 8)	
Descrambling	Energy dispersal descrambling	
Viterbi BER Indicator	Number of errors among 2 ²⁰ data bits	

description.

Maximum symbol rate consideration @60MHz CLK

Viterbi rate	MAX RATE[Msp/s]	Notes
1/2	45	due to antialiasing limitation
2/3	45	"
3/4	40	due to system clock limitation
5/6	36	"
7/8	34.2	"

5. Electrical Specification of LINK IC

5.1 BER vs Eb/No characteristics

INNER RATE	Eb/No THRESHOLD	CRITERION
1/2	<< 4.5dB	Eb/No at BER=2x10 ⁻⁴ @ Viterbi decoder output
2/3	<< 5.0dB	
3/4	<< 5.5dB	
5/6	<< 6.0dB	
7/8	<< 6.4dB	

6. NIM Configuration⁴

6.1 Host Interface

- Only I2C host interface is supported

6.2 WAGC Configuration

- level translation circuit to adjust dynamic range difference between ZIF IC and LINK IC
- Higher value corresponds to higher gain

6.3 I2C Bypass

- Tuner PLL can be accessed via I2C bypass out of LINK IC(internally connected)

⁴ See Fig. 3 and Fig. 4 for output stream timing diagram.

6.4 Pin Description

PIN NO.	MARK	DESCRIPTION	CURRENT(typ)	RIPPLE(max)
1	LNBA	Power input for LNB A		
2	LNBB	Power input for LNB B		
3	5V_RF	5V for RF-AMP and loop through	20mA	20mVp-p
4	AGC	AGC monitor		
5	5V_ZIF	5V for 2 nd AMP and ZIF IC	*	20mVp-p
6	VT	30V tuning voltage		
7	5V_PLL	5V for ZIF IC, PLL IC and OSC	*	20mVp-p
8	I	I signal monitor		
9	Q	Q signal monitor		
10	GND	Ground		
A	5VAGC	Power of AGC AMP	10mA	20mVp-p
B	GND	Ground		
C	3.3V	Power of LINK IC	200mA	20mVp-p
D	F22	22KHz tone output		
E	NC	Not connected		
F	RESET	Reset (active LOW)		
G	ERROUT	Frame error output (active HIGH)		
H	FRAME_SYNC	Frame sync. (active HIGH)		
I	DATA_VALID	Data valid (active HIGH)		
J	DATA_CLK	Data clock (falling or rising edge triggering)		
K~R	DATA0~7	Byte data		
S	SDA	I2C serial data		
T	SCL	I2C serial clock		

* PIN 5,7 TOTAL CURRENT: 200mA(TYP.)

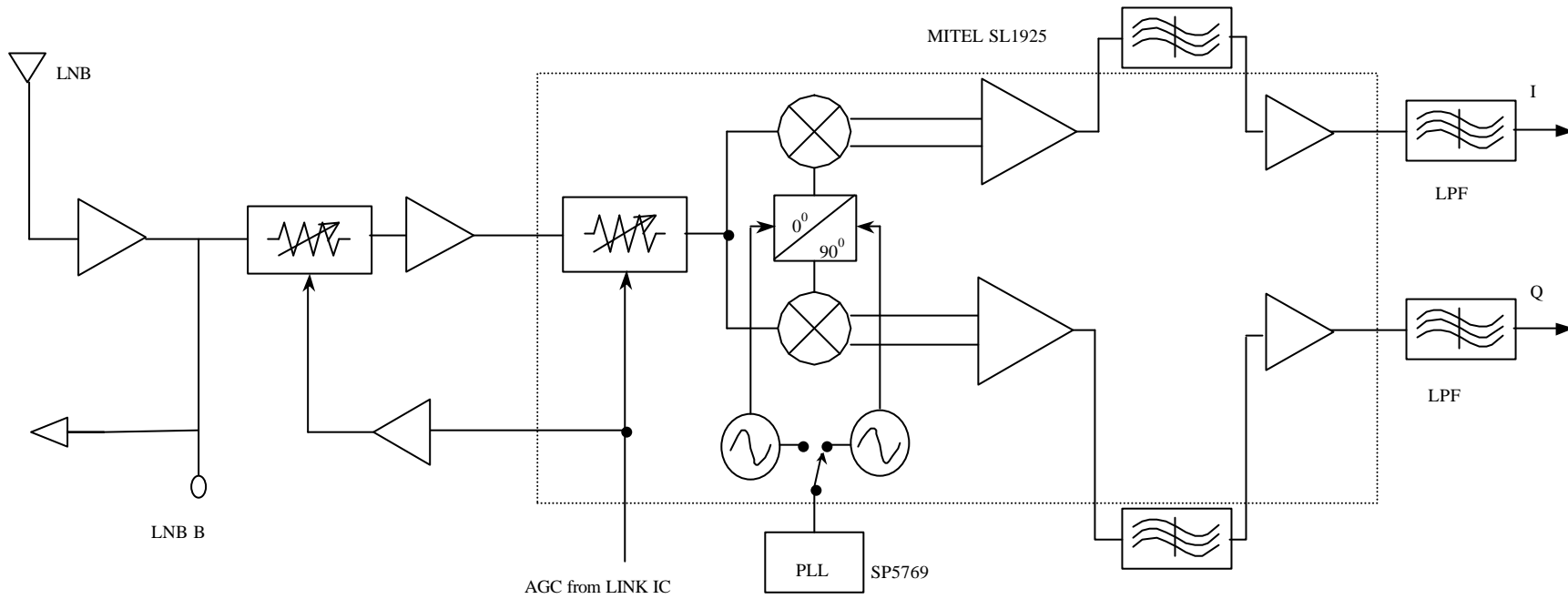


Fig. 1 RF Tuner Block Diagram(ZIF version)

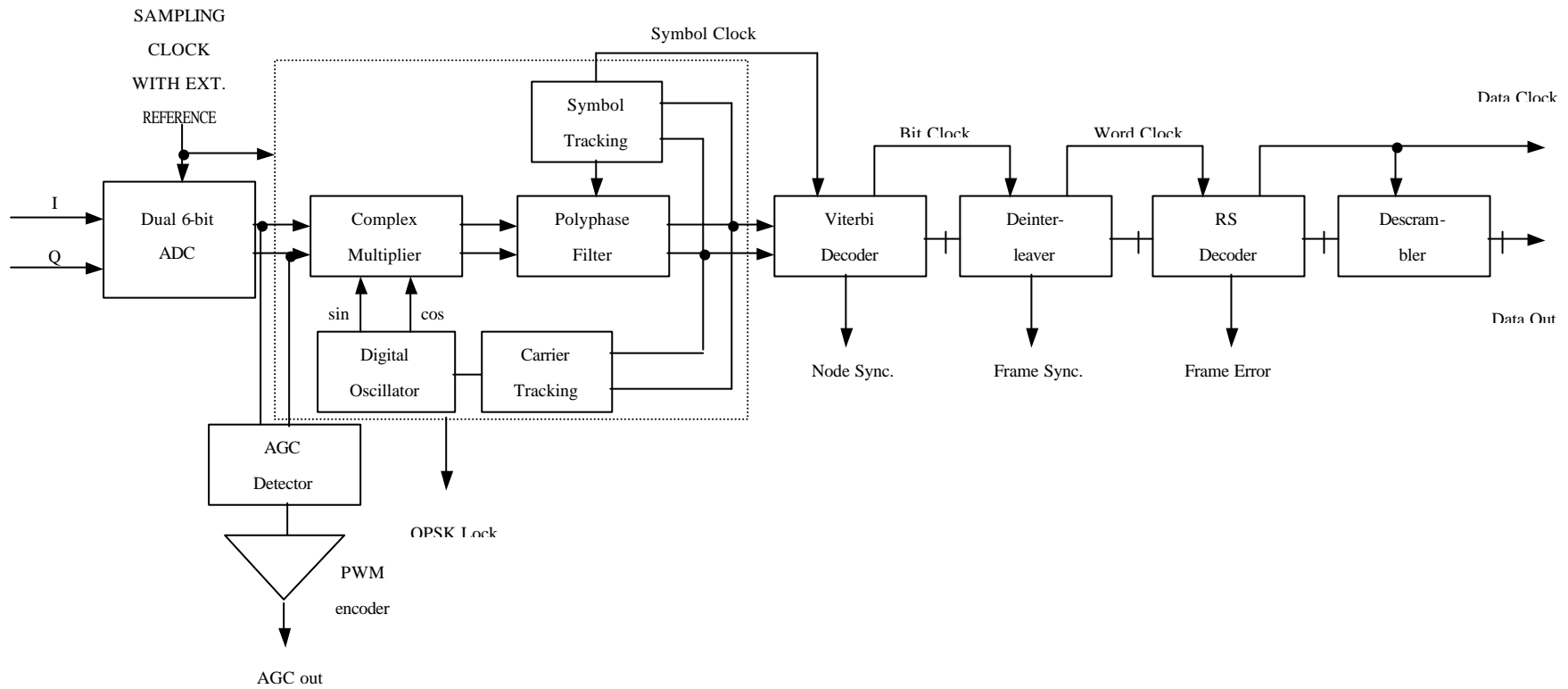


Fig. 2 LINK IC(HDM8513A) block diagram

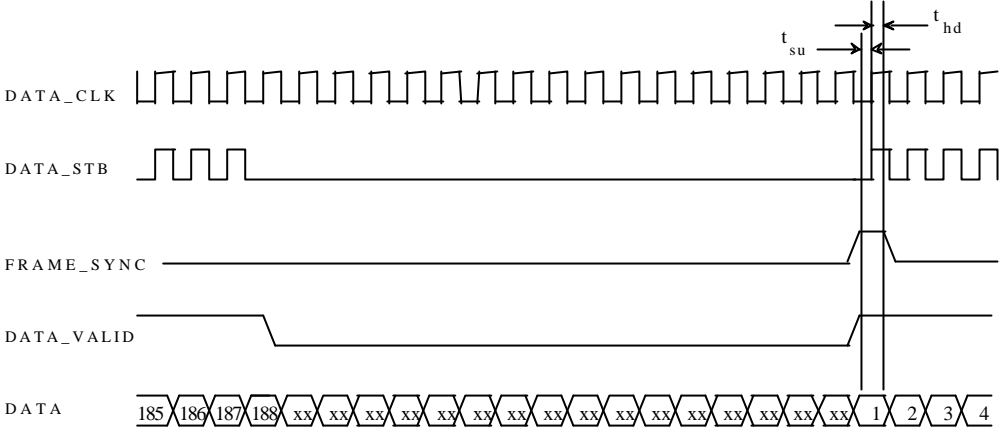


Fig. 3 Output Timing Diagram for DVB

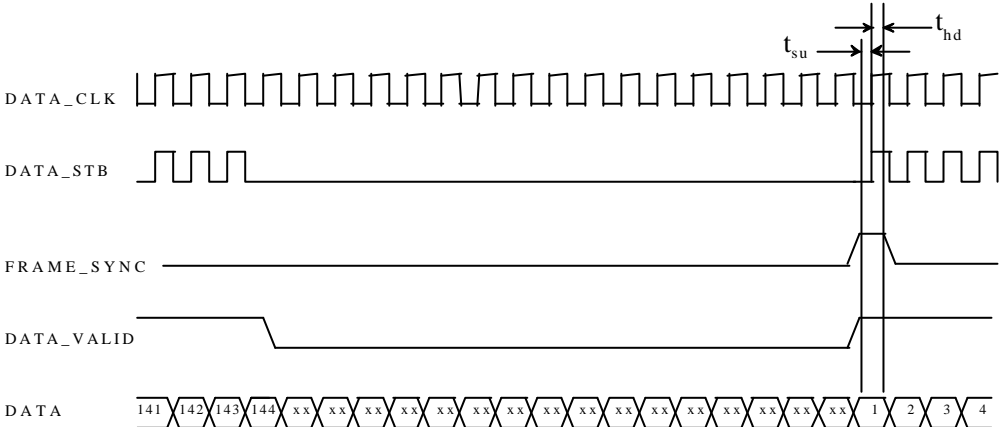


Fig. 4 Output Timing Diagram for DSS