

HMR3000

Digital Compass Module

User's Guide

Packing List

Part Number	Items included
HMR3000-D00-232	HMR3000 RS 232 Circuit Card Demo Software and Users Manual CD-Rom
HMR3000-D00-485	HMR3000 RS 485 Circuit Card, Users Manual CD Rom
HMR3000-D21-232	Housed Compass Module RS232 Demo Software Disk 1 and 2* Users Manual CD Rom
HMR3000-D21-485	Housed Compass Module RS485 Users Manual CD Rom
HMR3000 Demo Kit	Housed Compass Module RS232 Demo Software Disk 1 and 2* User's Manual CD Rom Power supply and interface cable

*PC Demo Software Version 2.01 or higher

Parameter or Condition	Default Setting
Baud Rate	19200
Operation Mode	Run
Output Sentences	None
TC1 (filter I time constant)	4
Heading filter L value	0
Heading filter S value	0

How to Set up HMR3000 Demo Unit

- 1) Connect the interface cable between the HMR3000 and COM port of a PC. Select the line voltage input (110/220 V), turn the voltage selector to 9 V dc mark, and plug in the adapter to an electrical outlet.
- 2) Install PC Demo Interface software on the PC by running Setup.exe from CD Rom. In Windows 95 or NT click start, then Run and browse CD Rom to find Setup.exe. (Version 2.01 or higher)
- 3) Double click on **PC Demo Interface icon**.



Select the correct COM port and 19200 baud rate (COM port is usually COM1).

Click the **musical note button**



Go to Serial Output tab and change the message rate on HPR sentence to 825.

Click on the **display button**



Note: You should have received PC Demo Interface Ver. 2.01 or higher. If you have an older version please update to the latest version. Please call Honeywell customer services at 612-954-2888 if you need this newer version of software

Computer Requirements

Minimum: PC 486/33MHz
 Windows 3.1, Windows 95 or NT Operating System
 VGA
 2 Mb disk space (more for log file and captured data)
 RS-232 serial port

Recommended: P5/120MHz
 Windows 3.1, Windows 95 or NT Operating System
 SVGA 1024 x 768
 Microsoft Excel (5.0 or greater) for capture and export of data (if desired)

Note: The Graphical output of the HMR3000 on PC Demo software may become sluggish if the PC has slow graphic capability or if other applications are running in the background.

Table of Contents

1.0	INTRODUCTION.....	1
2.0	GETTING TO KNOW HMR3000 PRODUCT.....	1
2.1	IDENTIFYING THE PRODUCT	1
2.2	SETTING UP.....	1
2.3	HMR3000 CONNECTION DIAGRAM – COMPUTER RS232 TO HMR3000.....	2
2.4	ELECTRICAL CONNECTIONS	2
2.5	COMMUNICATION -RS232 OPTION.....	3
2.6	INSTALL PC DEMO INTERFACE.....	3
2.7	GETTING DATA OUT OF HMR3000	3
2.8	CONFIGURING HMR3000.....	4
2.9	USING PC DEMO INTERFACE.....	4
2.10	COMMUNICATION - RS485 OPTION.....	4
2.11	INSTALLATION	5
2.12	CALIBRATION.....	5
3.0	OPERATION OF HMR3000 IN DETAIL	6
3.1	GENERAL	6
3.2	HMR3000 ELECTRICAL BLOCK DIAGRAM.....	7
3.3	HMR3000 PROCESS CONTROL BLOCK DIAGRAM.....	8
3.4	MEASUREMENT SEQUENCE	8
3.5	INTERFACE PIN DESCRIPTIONS	8
3.6	COMMUNICATION	9
3.7	INPUT	9
3.8	OUTPUT	10
3.9	QUERY FOR NMEA SENTENCES	10
3.10	FORMAT OF NMEA SENTENCES OUTPUT.....	10
3.11	CHECKSUM FILED.....	13
3.12	WARNING AND ALARM SETTINGS.....	13
4.0	CONFIGURATION PARAMETERS	14
4.2	GENERAL CONFIGURATION PARAMETERS	15
4.3	MEASUREMENT PARAMETERS.....	16
4.4	SERIAL I/O	19
5.0	DESCRIPTION OF HARDWARE INTERRUPT PINS.....	21
6.0	ALGORITHM FOR THE NON-LINEAR HEADING FILTER.....	21
7.0	PHYSICAL DIMENSIONS.....	22

1.0 INTRODUCTION

Thank you for purchasing Honeywell's HMR3000 Digital Compass Module. The HMR3000 uses Honeywell magnetic sensors with proven MR technology and a two-axis tilt sensor to bring you the heading information. This electronically gimballed compass gives accurate heading even when the compass is tilted up to 40 degrees. The HMR3000 is reliable and rugged since it does not contain any moving components and uses all surface mountable components. This low power, small device is housed in a non-magnetic metallic enclosure that can be easily installed on any platform.

The HMR3000 is easy to use and extremely versatile. It allows the user to configure compass output to include any combination of six NMEA standard messages and to change measurement parameters for the magnetometer to suit the application. The sophisticated auto compass calibration routines will correct for the magnetic effects of the platform. Wide dynamic range of the magnetometer (± 1 G or $100 \mu\text{T}$) allows the HMR3000 to be useful in applications with large local magnetic fields.

2.0 GETTING TO KNOW THE HMR3000 PRODUCT

2.1 Identifying the product

HMR3000 Compass module comes in three different options:

- (1) Circuit board with RS 232 or RS485 electrical interface
- (2) Housed Compass Module with RS232 or RS485 electrical interface
- (3) Demonstration Kit (RS232 only)

The electrical interface of the compass module is clearly marked on the circuit board in option (1) and on the product label in option (2). Option (3) only comes with RS232 electrical interface.

2.2 Setting up

Interface and power cables—Interface and power supply should be included in the Demonstration Kit (see **Electrical Connections** in Section 2.4).

For other HMR3000 product options, a cable having a standard 9-pin D shell female connector should be wired according to the pin-out defined below. Power should only be connected to *either* pin 9 *or* pin 8. It is sufficient to connect the pins listed in Table 1 for most applications. However, pins 1, 4, 6 and 7 serve specific purposes in the operation of HMR3000 and should be kept open (high logic state) in normal operation (see Table 2 for complete pin out description). See Figure 1 for suggested cabling diagram for connection between HMR3000 and COM port of a computer (IBM).

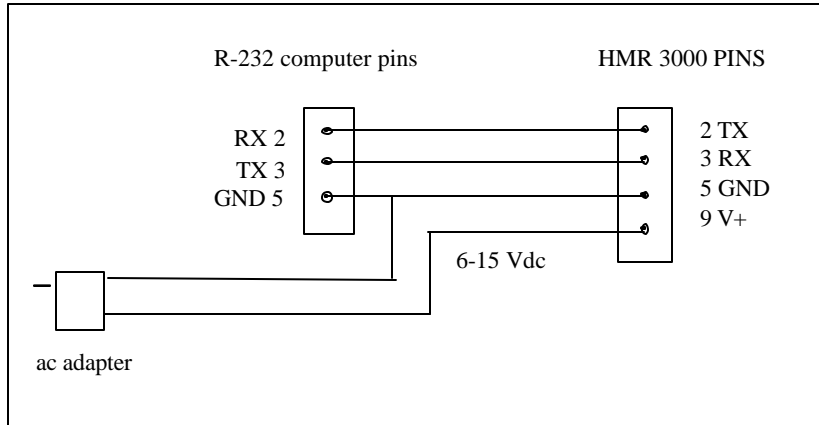
Name	In/Out	Pin	Description
TxD / A	Out	2	RS-232 transmit out / RS-485 transmit-receive signal
RxD / B	In	3	RS-232 receive in / RS-485 transmit-receive return
GND	In	5	Power and signal common
6-15V	In	9	Unregulated power input
5V	In	8	Regulated power input

Table 1. Pin assignment for typical operation of HMR3000 (See Table 2 for complete description)

Caution: Do NOT exceed +5.5V at regulated power input (pin 8). Higher voltages will damage components.

2.3 HMR3000 Connection Diagram—Computer RS232 to HMR3000

Unregulated Supply



Regulated Supply

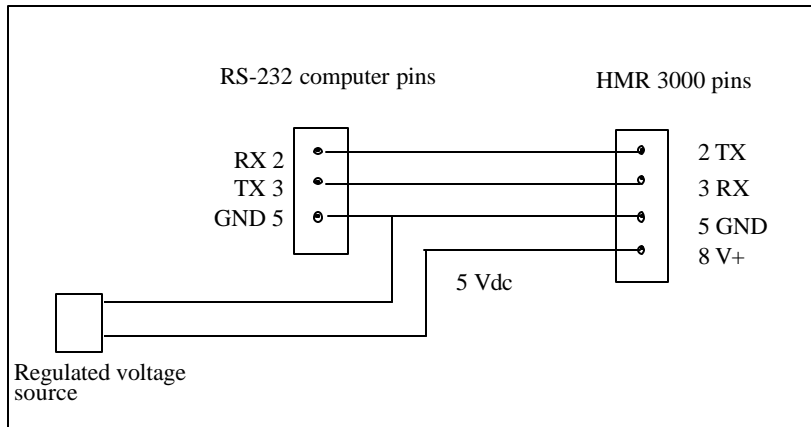


Figure 1. Interface and power connections for RS232 devices

2.4 Electrical Connections

Connect the cable between HMR3000 and a COM port of the IBM compatible computer. Supply power to HMR3000 (6-15V at the unregulated power input or 5V regulated).

If you purchased a HMR3000 Demonstration Kit, use the power and interface cable to connect between HMR3000 and your computer's COM port. Make sure the line voltage selection (110 or 220V) in the adapter is appropriate and that 6 Vdc or higher output voltage (<15V) is selected.

2.5 Communication—RS232 Option

The HMR3000 communicates with an external host via RS232 or RS485 electrical standard through simple ASCII character command strings. A host computer can direct operation of HMR300 with these commands. With the RS232 option a user friendly graphical interface is provided to direct operation of the compass.

RS232 Option

The Compass Module is supplied with PC Demo Interface, a software program that allows the user to configure HMR3000 with the RS232 option. This program is for IBM PC compatible machines running MS Windows 3.11, Windows 95 or Windows 97. PC Demo Interface allows the user to communicate between the HMR3000 and the PC. This is used to configure the HMR3000, receive compass outputs, and to log and capture compass messages. PC Demo also demonstrates the input/output options available, and is a great tool to learn about HMR3000.

2.6 Install PC Demo Interface

Enclosed is a CD Rom containing PC demo. Software is included.
Run **Setup.exe** from CD Rom.

The installation software will guide through the process.

Computer Requirements

Minimum:	PC 486/33 MHz Windows 3.1, Windows 95 or NT Operating System VGA 2 Mb disk space (more for log file and captured data) RS-232 serial port
Recommended:	P5/120 MHz Windows 3.1, Windows 95 or NT Operating System SVGA 1024 x 768 Microsoft Excel (5.0 or greater) for capture and export of data (if desired)

Note: The Graphical output of the HMR3000 on PC Demo software may become sluggish if the PC has slow graphic capability or if other applications are running in the background.

2.7 Getting data from HMR3000

Once the power and interface cables are connected and the software installed in your computer, begin to acquire compass data from HMR3000.

Launch PC Demo Interface by double clicking the program icon in PC Demo Interface window.

Select the appropriate COM port and choose **19200** as the baud rate (factory setting).

Message box, identifying the Firmware Version, should appear.

This message indicates a successful installation and interface connection.

Activate *Tune Parameters* in the PC Demo Interface (from the *Parameters* menu or use the **Tune** button).

The compass is in RUN (Continuous) mode with NO messages coming out.

(Message rates for all the output sentences are set to 0 at the factory).

Set the message rate of HPR sentence to 825 (*Tune Page \ Serial Output*). Now the compass should output heading, pitch and roll data at 825 sentences/min rate.

Activate *Display \ View Interface*, or *Display \ Monitor NMEA Sentences* to see the output.

Diagnostics \ View Log is another option to inspect compass data. Make sure the Log all messages (logging page in Diagnostics \ Options menu) option is activated.

Note: A non-zero HPR message rate should be chosen for View \ Interface to be active. The compass rose showing Heading and Tilt information will require a fast processor (Pentium) to respond fast enough with the compass output. Slower computers will result in large time lags between the compass output and the display. All selected NMEA messages will be updated in the *Display \ Monitor NMEA Sentences*

The HMR3000 output can be changed to include all or any of the six NMEA sentences each with its own rate. User can capture the output messages to a file using the Capture Mode by selecting the message to be captured. [*Diagnostics \ Options* menu]. User can also change the measurement parameters of the HMR3000 through PC Demo Interface software.

2.8 Configuring the HMR3000

Following is a list of basic parameters that would be accessed routinely and at installation. Advanced parameters that control the operation of the magnetometer, heading output, and warning levels are described in the **Configuration Parameters section**

2.9 Using PC Demo Interface

Activate the Tune Parameters button to configure.

Function	Parameter /Description	Located under	Range
Declination	Declination Angle between magnetic north and geographic north. Add declination to magnetic heading to obtain True heading	General page	± 0 -180 deg ± 0 - 3200 mils
Output Messages and Rate	HDG, HDT, XDR, HPR, RCD, CCD NMEA sentence outputs Rates in sentences per minute	Serial Output page	None or All 0-1200 /min
Data Filter	TC1 Time constant for IIR filter		0-255 1=72 ms
Heading Output	L and S Smoothing factors for non linear filter		$0 < S < 1$ L= integer >1 L=0 disable L<256
Deviation	Deviation The angle between compass forward direction and that of the platform. Add deviation to get platform heading	General page	± 0 -180 deg ± 0 - 3200 mils

Table 2. Parameters attached routinely or at installation

2.10 Communication—RS485 Option

Operation and configuration of a HMR3000 with RS485 interface is directed through direct command input from the host computer/microprocessor. No graphical interface is supplied with this product option. *See Configuration Parameters section for details* and Figure 2 for computer connections.

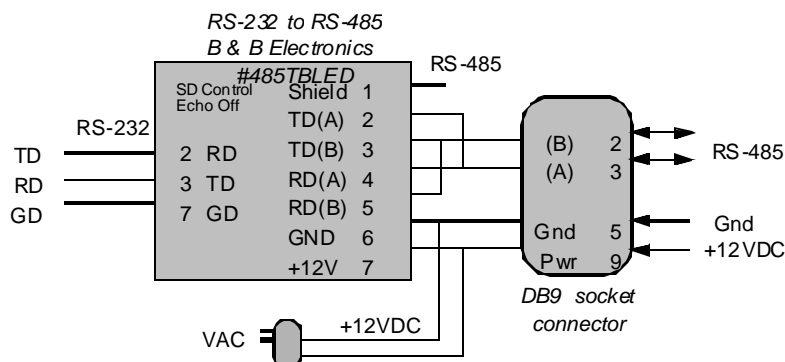


Figure 2. RS485 to Computer Connection

The HMR3000 Compass module's RS-485 interface is half duplex, i.e. transmit and receive circuits share the same physical pair of wires. The HMR3000 must disable its transmitter to allow characters to be received from a host system. If the unit is operating in **Run** mode, i.e. generating repetitive output, then the **Run / Stop** pin (pin # 6) should be forced low before the host attempts to transmit a command. *See details in Description of hardware interrupt section.*

2.11 Installation

To get optimum performance when installing HMR3000, follow the guidelines listed below for your vehicle or platform.

Location—Install the HMR3000 as far as possible from any source generating a magnetic field and far from ferrous metal objects. Honeywell magnetic sensors used in HMR3000 have a large field range of $\pm 1\text{ G}$ ($\pm 100\ \mu\text{T}$), compared to 0.65 G ($65\ \mu\text{T}$); the maximum of earth's total magnetic field, and therefore would not saturate in most platforms. Calibration and compensation routines in the compass can effectively compensate for static magnetic fields superimposed on the earth's field components, which are used for heading calculations. However, compasses can not compensate for the effects of varying fields produced by dc and ac currents.

Level—Since the HMR3000 is electronically gimballed it is not necessary to mount the compass leveled. However, to get the maximum possible tilt range, the compass should be mounted level when the vehicle or platform is in normal operation.

Orientation—Forward direction of the compass can be oriented at any angle from that of the platform. Use Deviation parameter to convert the compasses magnetic heading to true or magnetic heading of the vehicle/platform

2.12 Calibration

All magnetic compasses have to be calibrated in order to compensate for magnetic fields other than the earth's field components to get accurate heading. These additional magnetic fields are generated by the host and therefore depend on the compass mounting location. By performing a simple procedure, the HMR3000 can compensate for steady, static magnetic fields known as hard iron fields. Field components found after a calibration are only valid for the particular orientation and location of the compass. A re-calibration is necessary after a relocation of the compass or if the platform has changed its magnetic character.

Compass calibration is performed by following a calibration procedure specified by the manufacturer. During this procedure the compass collects data required for the compensation algorithms. The goal of the calibration procedure is to sample the magnetic field components for many possible orientations of the host system. Rotating the host system through 360 degrees or driving in a circle (in the case of a vehicle) will enable the compass to sample its magnetic environment. The HMR3000 can be calibrated by either using the built in calibration method or by using the PC Demo Interface software program. The calibration procedure for both these methods is the same.

Built-in Calibration Method—This method uses an iterative procedure to calculate the hard iron offsets. In most situations 275 iterations would produce good results. The calibration procedure has to continue until this iteration count is reached.

To put the HMR3000 into calibration mode (issue #F33.4=0*51<CR><lf>):

Slowly rotate the host system through a full circle in a gentle motion while changing roll and pitch as much as the host will allow. Generally this procedure will take over two minutes.

Check the iteration count by issuing #I26C?*31<CR><lf>. HMR3000 will reply with a #nnnn*hh<CR><lf> message, where *nnnn* is the value of the iteration count.

If this value is less than 275 continue with the calibration procedure until that number reaches 275.

At the end of this procedure issue a command to save the results in the EEPROM (#F2FE.2=1*67<CR><lf>)

Put the unit back into Operate mode (issue #F33.4=1*50<CR><lf>)

This method works when the hard iron field is small.

PC Demo Interface Software Method

3D Calibration—This method is recommended when the hard iron field is large. The PC demo interface will collect magnetic vector information and analyze to find the hard iron offsets.

Launch PC Demo Interface (Ver. 2.02 or higher)

In PC Demo, go to **Diagnostics** menu and to **Perform 3D Calibration** menu

In Hard Iron page, activate *Read Data*

You should see the *Total Valid Readings* (# of data points collected) go up.

If not check the following

First quit the Cal page

Go to **Diagnostics \ Options \ Calibration**

Select *Real Time Data from Unit* by clicking that option

Slowly rotate the platform through a full circle in a gentle motion while changing roll and pitch as much as the platform will allow. Generally this procedure will take over two minutes.

At the end of this procedure hit *Stop*.

Once the computation is complete hit *Apply* to put the Hard Iron offsets into the unit.

If sufficient tilt change were not encountered during the calibration procedure, then the calculated Z offset value may not be reliable. In such case the Z offset will appear in red, and the corresponding check box empty. User has the option to accept this value by checking the box.

Z Reference Method—In applications which changing the tilt of the host is not possible, an approximate value of the Z offset can be found by using the Z Reference Method. This method directly compares the Z component of the earth's magnetic field in an undisturbed location to that of the host.

This procedure involves two steps:

Step 1. Collect Z reference value near the calibration site, away from large metal objects that will distort the earth's field by:

Activating Diagnostics \ Capture/Clear Z Reference

Hit Read Data

Hold the compass approximately level

Hit Stop after capturing 10-20 readings and hit 'Apply' to save the new Z Reference value in the EEPROM of HMR3000.

Step 2. Install the compass on the host and follow the normal 3D Calibration described above. Mag Z offset will be computed from the Z Reference method as well as the normal method, and the most appropriate value is indicated by a cross mark against the value.

Goodness of Calibration—At the end of each calibration, PC Demo calculates and reports a variation number; the lower the number the better the calibration. The compass should be relocated if the variation number is greater than 40.

3.0 OPERATION OF THE HMR3000 IN DETAIL

3.1 GENERAL

The HMR3000 consists of three magnetoresistive magnetic sensors and a liquid filled two-axis tilt sensor to produce tilt compensated heading data. A microprocessor controls the measurement sequence of the sensors, and all the parameters that control the operation are stored in an EEPROM. The output sentences of the HMR3000 conform to the NMEA 0813 standard for Marine communication.

The HMR3000 has four operational modes

Continuous Mode

Output unsolicited NMEA standard message(s) at a configurable rate

Strobe Mode

Active Strobe Mode- Measurement is continuous and message output on request

Passive Strobe Mode- Measurement and output upon request

Sleep Mode (requires an interrupt signal at the connector)

Both measurement and output are suspended with serial inputs ignored

Calibrate Mode

Enter the compass in to user Hard Iron calibration mode

3.2 HMR3000 ELECTRICAL BLOCK DIAGRAM

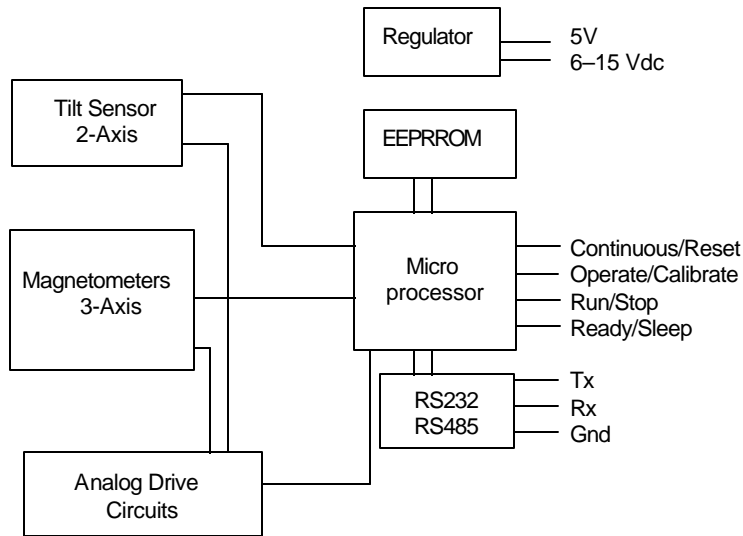


Figure 3. Electrical block diagram of HMR3000

3.3 HMR3000 PROCESS CONTROL BLOCK DIAGRAM

User configurable parameters that control the measurement and heading calculation process is denoted at the bottom of the diagram in italic font.

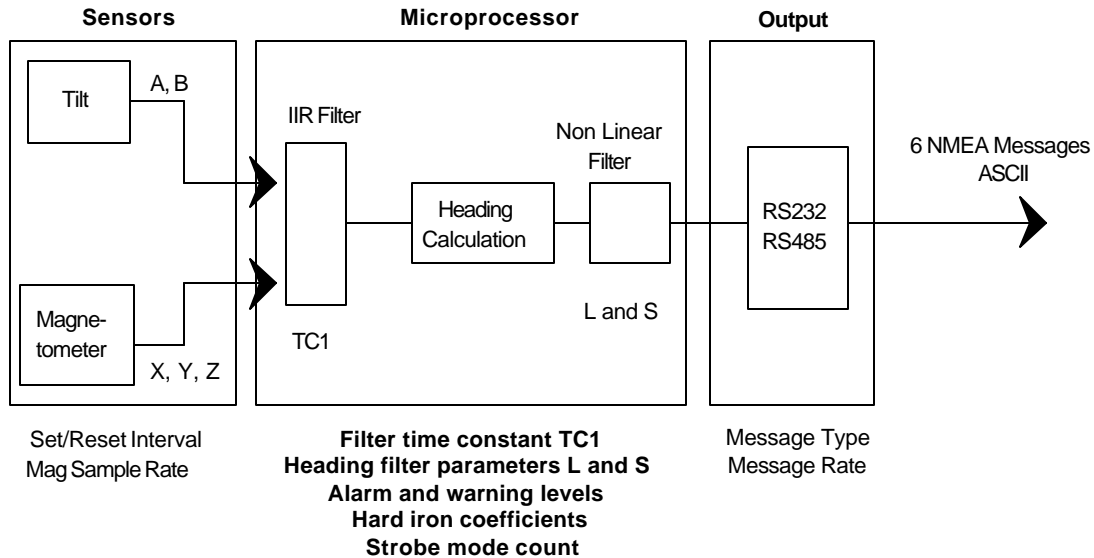


Figure 4. Process control diagram and user configurable parameters

Measurement Sequence

In normal operation, the microprocessor takes a set of seven measurements, four tilt and three magnetic, that are combined to produce heading, roll, and pitch data.

A set of magnetic measurements can be taken at 110, 55, 27.5, or 13.75 Hz rate. Tilt sensor is driven with a constant 55 Hz pulse. Raw data are normalized, linearized, and filtered at the 13.75 Hz rate. Normalization includes gain matching, offset nulling, and hard-iron compensation for the three magnetic measurements; and gain and offset compensation for tilt. Tilt measurements are linearized to account for the non-linear characteristics of the inclinometer. All five measurements, TiltX, TiltY, MagX, MagY, and MagZ, are low-pass filtered, using IIR filter, depending on the setting for the TC1. This filter may be disabled by setting the time constant to zero.

Magnetometer operation includes a Set/Reset pulse to achieve high sensitivity magnetic measurements. The active area of the MR element is Set or Reset periodically by a 3 amp current pulse through the patented on chip coils. The periodicity of this Set Reset operation can be changed to achieve high heading accuracy or to conserve power.

Compass heading is calculated 13.75 times per second from the 5 filtered measurements. A form of non-linear smoothing can be applied to the current heading to produce a smooth heading. The transfer function of the algorithm is a high degree of smoothing applied for small changes in heading, i.e. noise, while little or no smoothing is applied to larger, more significant changes by setting the parameters of this non linear filter.

In may not make sense to use the IIR filter and the non-linear smoothing for a given application. If the compass is mounted on a vessel that cannot change direction quickly, then it is probably better to use the IIR filter and disable smoothing. On the other hand, smoothing works well for hand-held applications or where noise is a problem.

3.5 Interface Pin Descriptions

The table below shows pin assignments for the 9-pin D-shell connector. Different pins are used to supply either regulated 5V_{dc} or unregulated 6V to 15V power. Only one of the two power pins (9 or 8) should be connected in a given installation.

Name	In/Out	Pin	Description
TxD / A	Out	2	RS-232 transmit out / RS-485 transmit-receive signal
RxD / B	In	3	RS-232 receive in / RS-485 transmit-receive return
GND	In	5	Power and signal common
6-15V	In	9	Unregulated power input
5V	In	8	Regulated power input
Oper / Calib *	In	1	Operate / Calibrate-* input (open = Operate)
Run / Stop *	In	6	Run / Stop- input (open = Run)
Ready / Sleep *	In	4	Ready / Sleep- input (open = Ready)
Cont / Reset *	In	7	Continue / Reset- input (open = Continue)

Table 3. Interface Signal Descriptions

*A dash following a signal name is used to denote that the signal is asserted active low.
In this case, when pin 1 is low the Calibrate function is selected.

3.6 Communication

The HMR3000 serial communications are governed by a simple, asynchronous, ASCII protocol modeled after the NMEA 0183 standard. Either an RS-232 or an RS-485 electrical interface can be used. ASCII characters are transmitted and received using 1 start bit, 8 data bits (LSB first), no parity (MSB always 0), and 1 stop bit; 10 bits total per character. Baud rate can be any one of 1200, 2400, 4800, 9600, 19200, 38400.

The HMR3000 supports both standard NMEA 0183 and proprietary messages. Unsolicited NMEA messages are sent by the HMR3000 in Continuous Mode at the rates programmed in EEPROM. HMR3000 also responds to all input messages from the host. An HMR3000 response to a command input may be delayed due to transmission of an unsolicited output. The host must wait for HMR3000 to respond to the last command input before sending another command message.

All communication from and to HMR3000 contain a two-character Checksum Field at the end of the data fields, and are denoted in the following sentences by 'hh'. The checksum assures the accuracy of the message transmitted. This checksum is calculated per NMEA 0183 Standard, and is outlined in section 3.11.

3.7 Input

There are two kinds of input to the HMR3000, request for output sentence, or a setting of a configuration parameter. HMR3000 sends a response to all valid inputs with a correct checksum value.

1. Response to a Request for output sentence is the appropriate sentence.
2. Response to parameter input will be #!0000*21 to indicate the command and the parameter was accepted.

3.8 Output

There are six possible NMEA messages, three standard and three proprietary, that can be automatically sent from the HMR3000 in Continuous Mode by selecting their Update Rates. Additionally, there is a seventh, non-conforming ASCII display message that can also be sent. The ASCII display message is not expected to commingle with the other six NMEA messages. It is intended for simpler systems where the HMR3000 is connected to a numerical readout device instead of a host processor.

The update rate for each message can be set independently to one of the following: 0, 1, 2, 3, 6, 12, 20, 30, 60, 120, 180, 300, 413, 600, 825, or 1200 sentences per minute. If the output channel, due to its programmed baud rate, cannot accommodate the total number of sentences selected, then the channel will operate at full speed and highest priority will be given to responses to input, followed by sentences with update rates from lowest to highest. Fairness will be implemented in the priority scheme so that each sentence ready for output is transmitted at least once before higher priority sentences are repeated.

3.9 Query for NMEA Sentences

The three NMEA standard sentences (HDG, HDT, and XDR) and three proprietary (HPR, RCD, and CCD) messages can be queried as follows.

The three standard query messages accepted are:

```
$TNHCQ,HDG*27<cr><lf>
$TNHCQ,HDT*34<cr><lf>
$TNHCQ,XDR*22<cr><lf>
```

The three proprietary query messages accepted are:

```
$PTNT,HPR*78<cr><lf>
$PTNT,RCD*67<cr><lf>
$PTNT,CCD*76<cr><lf>
```

3.10 Format of NMEA Sentences Output

HDG *Heading, Deviation, & Variation*

```
$HCHDG,x.x,x.x,a,x.x,a*hh<cr><lf>
```

If either the deviation or variation parameter has not been programmed, the corresponding field will be null (per NMEA 0183 version 2.1, section 5.2.2.3). Parameters have not been programmed if their absolute values are greater than 3200 mils or 180.0 degrees. Positive deviation and variation is indicated by a = E; negative values by a = W. Heading field will be null if it cannot be calculated (see HPR proprietary sentence). NMEA requires that units for heading measurement be degrees.

Eg. In Degree Mode
\$HCHDG,85.8,0.0,E,0.0,E*77
\$HCHDG,271.2,0.0,E,0.0,E*44
\$HCHDG,271.1,10.7,E,12.2,W*52
\$HCHDG,0.0,10.7,E,12.2,W*57
Mil Mode is not allowed by NMEA standard

HDT *Heading, True*

```
$HCHDT,x.x,T*hh<cr><lf>
```

The heading field will be null if variation has not been programmed (see HDG and Definitions), or if heading cannot be calculated. If deviation has not been programmed, it is assumed to be zero, otherwise it is added to measured heading and variation to express true heading of compass board.

Eg. In Degree Mode
\$HCHDT,86.2,T*15

\$HCHDT,271.1,T*2C
\$HCHDT,0.9,T*20
Mil Mode not allowed by NMEA standard

XDR Transducer Measurements

\$HCXDR,A,x.x,D,PITCH,A,x.x,D,ROLL,G,x.x,,MAGX,G,x.x,,MAGY,
G,x.x,,MAGZ,G,x.x,,MAGT*hh<cr><lf>

Each of the six possible measurements - pitch; roll; and magnetic x, y, z, and total—can be individually included in or excluded from the message (see “XDR has ...” parameters). See NMEA 0183 for a detailed description of the “Type-Data-Units-ID” field encoding. The “Data” field of an included measurement will be null if its contents cannot be determined due to saturated measurements. Only units of degrees are allowed by NMEA for pitch and roll measurements.

Magnetic measurements are transmitted in engineering units (milli Gauss) determined by a tunable conversion factor. MAGX aligns with the compass board north-south axis, and MAGZ is perpendicular to the plane of the compass board. MAGT is the total magnetic field strength determined by calculating the square root of the sum of the squares of MAGX, MAGY, and MAGZ.

Eg. In Degree Mode

\$HCXDR,A,-0.8,D,PITCH,A,0.8,D,ROLL,G,122,,MAGX,G,1838,,MAGY,G,-
667,,MAGZ,G,1959,,MAGT*11

In Mil Mode

\$HCXDR,A,-3,D,PITCH,A,14,D,ROLL,G,1090,,MAGX,G,5823,,MAGY,G,-
20,,MAGZ,G,5924,,MAGT*2B

The following describe the proprietary sentences in detail:

HPR Heading, Pitch, & Roll

\$PTNTHPR,x.x,a,x.x,a,x.x,a*hh<cr><lf>

This sentence combines HMR3000’s three significant measurements with useful status information. Data fields represent, in order: heading, magnetic field status, pitch, pitch status, roll, and roll status. Heading, pitch, and roll measurements are presented in degrees or mils depending on the setting in EEPROM. The heading measurement is corrected for deviation and variation when these factors are programmed in the EEPROM.

Eg. In Degree Mode

\$PTNTHPR,85.9,N,-0.9,N,0.8,N*2C

\$PTNTHPR,7.4,N,4.2,N,2.0,N*33

\$PTNTHPR,354.9,N,5.2,N,0.2,N*3A

In Mil Mode

\$PTNTHPR,90,N,29,N,15,N*1C

Status fields can contain one of six letter indicators:

L = low alarm,

M = low warning,

N = normal,

O = high warning, or

P = high alarm.

C = Tuning analog circuit

If any of the three status fields indicates alarm, then the heading field will be null as well as the corresponding measurement field. Thresholds for alarm and warning levels can be changed in the EEPROM.

RCD Raw Compass Data

\$PTNTRCD,x.x,x.x,x.x,x.x,x.x,x.x,x.x,x.x,x.x,x.x*hh<cr><lf>

This sentence provides raw tilt and magnetic measurements for diagnostic use. Contents of each field represent A/D readings for, in order: TiltAp, TiltAm, TiltBp, TiltBm, MagA, MagB, MagC, MagAsr, MagBsr, MagCsr. All values represent the actual A/D readings from the most recent conversions, except that tilt readings are adjusted if low gain was used for the conversion. Mag_sr values represent the sum of the most recent calibration Set and Reset pulse measurements for each sensor. There are never any null fields in this sentence.

Eg. In Degree Mode
 \$PTNTRCD,1509,1551,1548,1553,15199,16146,17772,17055,16176,17059*42
 In Mil Mode
 \$PTNTRCD,1435,1512,1497,1453,16776,14066,9477,17403,16073,17225*7F

CCD Conditioned Compass Data
 \$PTNTCCD,x.x,x.x,x.x,x.x,x.x,x.x,x.x,x.x*hh<cr><lf>

This sentence provides conditioned tilt and magnetic measurements for diagnostic use. The fields are, in order:

- TiltX 32768 times tangent of angle between compass board north-south axis and level plane. This value is the difference between the raw tilt measurements normalized, linearized, and filtered according to parameter settings. The pitch measurement is determined by taking the arctan of TiltX/32768.
- TiltY same as TiltX but for the compass board east-west axis (roll).
- MagX normalized and filtered magnetic field strength along the north-south axis of the compass board. This value has been adjusted for any hard-iron offset determined during calibration (or tuned manually).
- MagY same as MagX but along the compass board east-west axis.
- MagZ same as MagX and MagY, but along the axis perpendicular to the plane of the board. This value has been adjusted both for gain variation with the X-Y sensor pair and for hard-iron.
- MagT Total magnetic field strength
- Heading calculated heading based on the magnetometer and inclinometer data in this sentence. Presented in degrees or mils depending on the setting in EEPROM. This field will be null if the heading cannot be calculated.

Eg. In Degree Mode
 \$PTNTCCD,522,-472,109,1841,677,1964,86.3*44
 In Mil Mode
 \$PTNTCCD,-25187,351,-3909,1899,-4394,6180,1838*58

ASCII Message

The special ASCII display message normally consists of a string of 4 digits that represent the heading in degrees and tenths, followed by a terminating carriage return character. Heading is corrected for deviation and variation when these factors are programmed in the EEPROM. When the heading cannot be transmitted due to a magnetometer or tilt signal out of range, then 4 minus signs are transmitted instead.

Eg. In Degree Mode
 86.1

3.11 Checksum Filed

This absolute value is calculated by exclusive OR operation on 8 data bits (ASCII code) (no start or stop bits) of each character in the message, between, but excluding “\$” and “*” (or between “#” and “*”) characters. The hexadecimal value of the most significant and the least significant 4 bits of the result is converted to two ASCII characters (0-9, A-F) for transmission. The most significant character is transmitted first

3.12 Warning and Alarm Settings

Tilt and magnetometer limits can be programmed in to the EERROM to generate Warning and Alarm conditions in the status fields of the HPR sentence output.

Tilt Settings

When the tilt measured is below the warning level, the status fields will indicate ‘N’.

\$PTNTHPR,59.6,N,-0.2,N,-3.0,N*0F

Tilt high warning and high alarm can be user programmed.

When the pitch or roll measured is between the warning and alarm levels, the HPR message will indicate this with letter ‘O’ in the corresponding pitch or roll status field.

\$PTNTHPR,72.9,N,-1.6,N,-29.6,O*33

When the pitch or roll measured is beyond the alarm level, the HPR message will indicate this with letter ‘P’ in the corresponding pitch or roll status field, and the heading field will be null.

\$PTNTHPR,,N,-1.5,N,,P*03

Magnetometer Settings

Four levels can be set for the magnetometer alarm and warning levels. High Warn and Alarm levels, and Low Alarm and Warning levels. Five settings are generated depending on the measured total magnetic field value (Mag T) and the levels programmed in the EEPROM.

Level	Mag Status Field	Heading Field
Low Warn < Mag T < High Warn	N	normal
High Warn < Mag T < High Alarm	O	normal
High Alarm < Mag T	P	Null
Low Alarm < Mag T < Low Warn	M	normal
Mag T < Low Alarm	L	Null

Table 4. Relationship between the Mag total measured and the mag status field

Magnetometer high alarm condition example

\$PTNTHPR,,P,0.3,N,0.1,N*06

4.0 CONFIGURATION PARAMETERS

This section describes the configuration parameters that can be set using HMR3000's configuration software.

4.1 OPERATIONAL

Using the serial protocol described in the previous section, an external host can direct operation of the HMR3000 with the following commands:

Command	Description	Command Syntax	Action
Run	1 = Run	#FA0.3=1*26<CR><lf>	Start Compass measurements
Stop	0 = Stop (Strobe mode)	#FA0.3=0*27<CR><lf>	Stop Compass measurements
<i>Query</i> <i>Response</i>	query for Run/Stop status Run Stop	#FA0.3?*15<CR><lf> #1*31<CR><lf> #0*30<CR><lf>	Respond with status
Force Reset	Perform power up reset sequence	#F33.6=1*52<CR><lf>	
Initialize Filters	Reset IIR filter (set after changing TC1)	#F33.2=1*56	

Table 5. Basic operational parameters of the HMR3000

4.2 General Configuration Parameters

The parameters in this section affect the general operation of the compass board.

Parameter Name	Description	Command Syntax
Degrees	Sets the units for heading, pitch, and roll: 1 = degrees (0.0 to 359.9) 0 = mils (0 to 6399) Degrees = mils * 9 / 160	#FA0.4=1*21<CR><lf>
Mils		#FA0.4=0*20<CR><lf>
<i>Query</i>		#FA0.4?*12<CR><lf>
<i>Response</i>		Degree Mils #1*31<CR><lf> #0*30<CR><lf>
Decimal	Sets the default number base for data I/O: 1 = decimal 0 = hexadecimal	#FA0.5=1*20<CR><lf>
Hex		#FA0.5=0*21<CR><lf>
<i>Query</i>		query for I/O number base #FA0.5?*13<CR><lf>
<i>Response</i>		Decimal Hexadecimal #1*31<CR><lf> #0*30<CR><lf>
Deviation angle	Sets the Deviation angle to value nnn.n (in degree mode) 'hh' is the checksum value	#IE2=nnn.n*hh<CR><lf>
<i>Query</i>		#IE2?*01<CR><lf>
<i>Response</i>		Deviation angle #nnn.n*hh<CR><lf>
Variation angle	Sets the Variation angle to value nnn.n (in degree mode) 'hh' is the checksum value	#IE4=nnn.n*hh<CR><lf>
<i>Query</i>		#IE4?*07<CR><lf>
<i>Response</i>		Variation angle #nnn.n*hh<CR><lf>

Table 6. General Configuration Parameters

4.3 Measurement Parameters

Parameters in this section affect the measurement functions of the compass board. “Mag sample rate” is a key setting that affects both continuous and strobe mode measurements. In continuous mode, either 1, 2, 4, or 8 magnetometer measurements are averaged per tilt measurement depending on the “Mag sample rate” setting.

In strobe mode, measurements are suspended until an NMEA query command is received. When this occurs, “Mag sample rate” determines how many magnetometer readings are collected per tilt measurement as above, and “Strobe mode count” determines the number of readings to be averaged before returning the resulting requested sentence. A “Strobe mode count” of zero will result in 256 samples being averaged, which will require 18.6 seconds between the end of the query request and the start of the output sentence.

The “Mag units factor” setting is used to convert normalized magnetometer readings to milliGauss for output in XDR and CCD messages. The intent is to provide outputs with approximate field strength units so that the magnitude of the numbers make sense.

Parameter Name	Description	Command Syntax
Mag sample rate <i>Query</i> <i>Response</i>	Magnetometer sampling rate 13.75 , 27.5, 55, 110 Hz This parameter will determine the number of magnetometer readings averaged per heading output. Set to 13.75 Hz for low power consumption	#BA6=1*39<CR><lf> for 13.75 Hz #BA6=2*3A<CR><lf> for 27.5 Hz #BA6=4*3C<CR><lf> for 55 Hz #BA6=8*30<CR><lf> for 110 Hz #BA6?*0A<CR><lf> #m*hh<CR><lf>
Strobe Mode Count <i>Query</i> <i>Response</i>	Number of heading measurements to be average before issuing an output in Strobe Mode operation (0 to 255) N= Number of reading to average (0 to 255)	#BA7=nn*hh<CR><lf> #BA7?*0B<CR><lf> #N*hh<CR><lf>
Set / Reset <i>Query</i> <i>Response</i>	Controls the magnetometer Set/Reset operation. Set / Reset ON (Set/Reset at 13.75 Hz) Set/Reset OFF	#FA0.6=1*23<CR><lf> #FA0.6=0*22<CR><lf> #FA0.6?*10<CR><lf> #1*31<CR><lf> #0*30<CR><lf>
Set / Reset interval (ddd) <i>Query</i> <i>Response</i>	Time interval between magnetometer Set/Reset calibrations in seconds: 0 = disable, 255 = 4 min, 15 sec (=max) Use long time interval to reduce power consumption. Use continuous or short time intervals for high repeatability. (This parameter applies only when Set Reset is turned OFF) T= Time between Set Reset in Seconds	#BA9=ddd*hh<CR><lf> ddd= Set/Reset interval in seconds #BA9?*05<CR><lf> #T*hh<CR><lf>
Mag units factor	Conversion factor for normalized Mag readings to mGauss.	

<i>Query</i>		#WB4?*1E<CR><lf>
<i>Response</i>		
MagX offset (nnnn) in counts	Hard-iron offset along north-south axis in magnetometer counts. Allows the user to input a value.	#IC4=nnnn*hh<CR><lf>
<i>Query</i>		#IC4?*01<CR><lf>
<i>Response</i>	N=Hard Iron offset (in counts)	#N*hh<CR><lf>
MagY offset (nnnn) in counts	Hard-iron offset along east-west axis in magnetometer counts. Allows the user to input a value.	#IC6=nnnn*hh<CR><lf>
<i>Query</i>		#IC6?*03<CR><lf>
<i>Response</i>	N=Hard Iron offset	#N*hh<CR><lf>
MagZ offset (nnnn) in counts	Hard-iron offset along vertical axis in magnetometer counts. Allows the user to input a value.	#IC8=nnnn*hh<CR><lf>
<i>Query</i>		#IC8?*0D<CR><lf>
<i>Response</i>	N=Hard Iron offset	#N*hh<CR><lf>
Mag high alarm	Sets the magnetometer Over Range Alarm level in magnetometer counts. Issues an Alarm condition (P) in the magnetic field status of the HPR output sentence when the total mag field value (Mag T) exceeds the parameter setting.	#WB6=nnnn*hh<CR><lf>
<i>Query</i>		#WB6?*1C<CR><lf>
<i>Response</i>		#nnnn*hh<CR><lf>
Mag high warn	Sets the magnetometer Over Range Warning level in magnetometer counts. Issues a Warning condition (O) in the magnetic field status of the HPR output sentence when the total mag field value (Mag T) exceeds the parameter setting.	#WB8=nnnn*hh<CR><lf>
<i>Query</i>		#WB8?*12<CR><lf>
<i>Response</i>		#nnnn*hh<CR><lf>
Mag low warn	Sets the magnetometer Under range warning level in magnetometer counts. Issues a Warning condition (M) in the magnetic field status of the HPR output sentence when the total mag field value (Mag T) falls below the parameter setting.	#WBA=nnnn*hh<CR><lf>
<i>Query</i>		#WBA?*6B<CR><lf>
<i>Response</i>		#nnnn*hh<CR><lf>
Mag low alarm	Sets the magnetometer Under range alarm level in magnetometer counts. Issues an Alarm condition (L) in the	#WBC=nnnn*hh<CR><lf>

<i>Query</i>	magnetic field status of the HPR output sentence when the total mag field value (Mag T) falls below the parameter setting.	#WBC?*69<CR><lf>
<i>Response</i>		#nnnnn*hh<CR><lf>
Pitch / roll alarm (nn.n)	Sets the Over range alarm level for pitch and roll. Issues an Alarm condition (P) in the Pitch or Roll status fields of the HPR output sentence when either pitch or roll output exceeds the parameter setting. In degrees	#WE6=nn.n*hh<CR><lf>
<i>Query</i>		#WE6?*1B<CR><lf>
<i>Response</i>	Pitch/ Roll alarm level	#nn.n*hh<CR><lf>
Pitch / roll warn (nn.n)	Sets the Over range warn level for pitch and roll. Issues an warn condition (O) in the Pitch or Roll status fields of the HPR output sentence when either pitch or roll output exceeds the parameter setting. In degrees	#WE8=nn.n*hh<CR><lf>
<i>Query</i>		#WE8?*15<CR><lf>
<i>Response</i>		#nn.n*hh<CR><lf>
TC1 time constant (T)	Sets the filter constant. Normalized time constant for IIR filter 1 T=0 (disable), T=1 (= 72 msec), T=255 (= 18.4 sec)	#BA2=T*hh<CR><lf>
<i>Query</i>		#BA2?*0E<CR><lf>
<i>Response</i>	Normalized time constant, T,	#T*hh<CR><lf>
S smoothing factor (S)	Sets the parameter (S) for the non-linear Heading filter. Smoothing amount (see algorithm in text) 0 = disable, Max = 0.999985 m=S*65535	#WB2=m*hh<CR><lf>
<i>Query</i>		#WB2?*18<CR><lf>
<i>Response</i>	m=S*65535	#m*hh<CR><lf>
L smoothing factor (L)	Sets the parameter (L) for the non-linear Heading filter. Difference knee in mils (see algorithm in text) 0 = disable, 1 = 1 mil, max = 255 mils Smoothing factor (L)	#BB1=L*hh<CR><lf>
<i>Query</i>		#BB1?*0E<CR><lf>
<i>Response</i>		#L*hh<CR><lf>

Table 7. Measurement Parameters

4.4 Serial I/O

Parameters in this section affect the serial output functions of the compass board.

Name	Description	Command Syntax
Baud Rate	Sets the Serial I/O Baud rate: Index Value (I) 1200 : (2) 2400 : (4) 4800 : (8) 9600 : (16) 19200 : (32) Should be followed by a Force Reset command for new rate to be active immediately or a power up is required	#BA4H=2T*24 <CR><lf> #BA4H=4T*22<CR><lf> #BA4H=8T*2E<CR><lf> #BA4H=16T*11<CR><lf> #BA4H=32T*17<CR><lf>
<i>Query</i>		#BA4H?*40<CR><lf>
Response	Returns the Index value for the baud rate	#I*hh<CR><lf>
HDG Update Rate (R)	Sets the HDG message update rate (R) in sentences per minute Allowed R values are indexed with an integer (I) - see table below	#BAA=I*hh<CR><lf>
<i>Query</i>		#BAA?*7D<CR><lf>
Response	Returns Index value, I, for HDG update rate	#I*hh<CR><lf>
HDT Update Rate (R)	Same as above, for HDT sentence	#BAB=I*hh<CR><lf>
<i>Query</i>		#BAB?*7E<CR><lf>
Response	Returns the Index value, I, for HDT rate	#I*hh<CR><lf>
XDR Update Rate	Same as previous for XDR sentence I= Index value	#BAC=I*hh<CR><lf>
<i>Query</i>		#BAC?*7F<CR><lf>
Response	Returns the Index value, I, for XDR rate	#I*hh<CR><lf>
HPR Update Rate	Same as previous for HPR sentence I= Index value	#BAD=I*hh<CR><lf>
<i>Query</i>		#BAD?*78<CR><lf>
Response	Returns the Index value, I, for HPR rate	#I*hh<CR><lf>
RCD Update Rate	Same as previous for RCD sentence I= Index value	#BAE=I*hh<CR><lf>
<i>Query</i>		#BAE?*79<CR><lf>
Response	Returns the Index value, I, for RCD rate	#I*hh<CR><lf>
CCD Update Rate	Same as previous for CCD sentence I= Index value	#BAF=I*hh<CR><lf>
<i>Query</i>		#BAF?*7A<CR><lf>
Response	Returns the Index value, I, for CCD rate	#I*hh<CR><lf>
ASCII Update Rate	Same as previous for ASCII display sentence I= Index value	#BB0=I*hh<CR><lf>
<i>Query</i>		#BB0?*0F<CR><lf>
Response	Returns the Index value, I, for ASCII rate	#I*hh<CR><lf>

XDR has Pitch	Include or exclude PITCH in XDR sentence Exclude Include	#FA1.0=0*25<CR><lf> #FA1.0=1*24<CR><lf> #FA1.0?*17<CR><lf>
<i>Query</i>		
Response	m=1 (include), m=0 (exclude)	#m*hh<CR><lf>
XDR has Roll	Include ROLL in XDR sentence	#FA1.1=0*24<CR><lf> #FA1.1=1*25<CR><lf> #FA1.1?*16<CR><lf>
<i>Query</i>		
Response	m=1 (include), m=0 (exclude)	#m*hh<CR><lf>
XDR has MagX	Include MAGX in XDR sentence	#FA1.2=0*27<CR><lf> #FA1.2=1*26<CR><lf> #FA1.2?*15 <CR><lf>
<i>Query</i>		
Response	m=1 (include), m=0 (exclude)	#m*hh<CR><lf>
XDR has MagY	Include MAGY in XDR sentence	#FA1.3=0*26<CR><lf> #FA1.3=1*27<CR><lf> #FA1.3?*14 <CR><lf>
<i>Query</i>		
Response	m=1 (include), m=0 (exclude)	#m*hh<CR><lf>
XDR has MagZ	Include MAGZ in XDR sentence	#FA1.4=0*21<CR><lf> #FA1.4=1*20<CR><lf> #FA1.4?*13 <CR><lf>
<i>Query</i>		
Response	m=1 (include), m=0 (exclude)	#m*hh<CR><lf>
XDR has MagT	Include MAGT in XDR sentence	#FA1.5=0*20<CR><lf> #FA1.5=1*21<CR><lf> #FA1.5?*12 <CR><lf>
<i>Query</i>		
Response	m=1 (include), m=0 (exclude)	#m*hh<CR><lf>

Table 8. Serial I/O Parameters

In the current configuration software, when the baud rate is changed, the new rate will not take effect until a “Force Reset” command is issued or until the unit is powered off then on. When any output sentence rate is changed, the current interval will expire before the new rate takes effect.

Index(I)	Rate(R)	Index	Rate	Index	Rate	Index	Rate
0	0	4	6	8	60	12	413
1	1	5	12	9	120	13	600
2	2	6	20	10	180	14	825
3	3	7	30	11	300	15	1200

Table 9. Index values corresponding to output message rate

5.0 DESCRIPTION OF HARDWARE INTERRUPT PINS

Detail description of the functionality of the Cont./Reset, Operate/Calibrate, Ready/Sleep, Run/Stop switches.

The order of precedence for operation of the switch inputs is as follows (highest first):

1. Setting "Cont. / Reset" low unconditionally holds the processor in its reset state. No other functions can be performed until the switch is returned to the "Continue" position.
2. Setting "Operate / Calibrate" low (Calibrate) forces the processor into Calibrate mode. The "Run / Stop" and "Ready / Sleep" switches are ignored in this mode. When the switch is set to the Operate position, the unit can be in either mode depending on the "Select Mode" command bit that can be changed via the serial interface. The "Select Mode" command bit is initialized to the Operate state on power up.
3. Setting "Ready / Sleep" low while the unit is not in Calibrate mode forces the unit into a low power state with measurements and outputs suspended, and with serial inputs ignored. This switch must be returned to the "Ready" position before a host can send a serial command. When momentarily placed in the "Ready" position, the processor will run a complete measurement and output cycle (if in Run mode) before suspending operation. Mechanical switch bounce on this input can be tolerated in the firmware.
4. Setting "Run / Stop" low stops any output in progress within one character time and prevents further output. When the switch is in the Run position, the state of the internal Run/Stop command bit controls the unsolicited output. The internal Run/Stop command bit is initialized to the settings saved in the EEPROM.

6.0 ALGORITHM FOR THE NON-LINEAR HEADING FILTER

The algorithm is as follows:

Assume CH = current heading

SH = smoothed output

L = tuned setting (integer > 0, 0 = disable)

S = tuned setting (0 < fraction < 1, 0 = disable, max = 0.999985)

Calculate D = CH - SH (difference)

$G = S + S * (D/L)**2$ (saturate G as D/L gets large, $S \leq G \leq 1$)

SH = SH + D * G (note that SH = CH for G = 1)

These calculations are iterated at the 13.75 Hz rate.

7.0 PHYSICAL DIMENSIONS

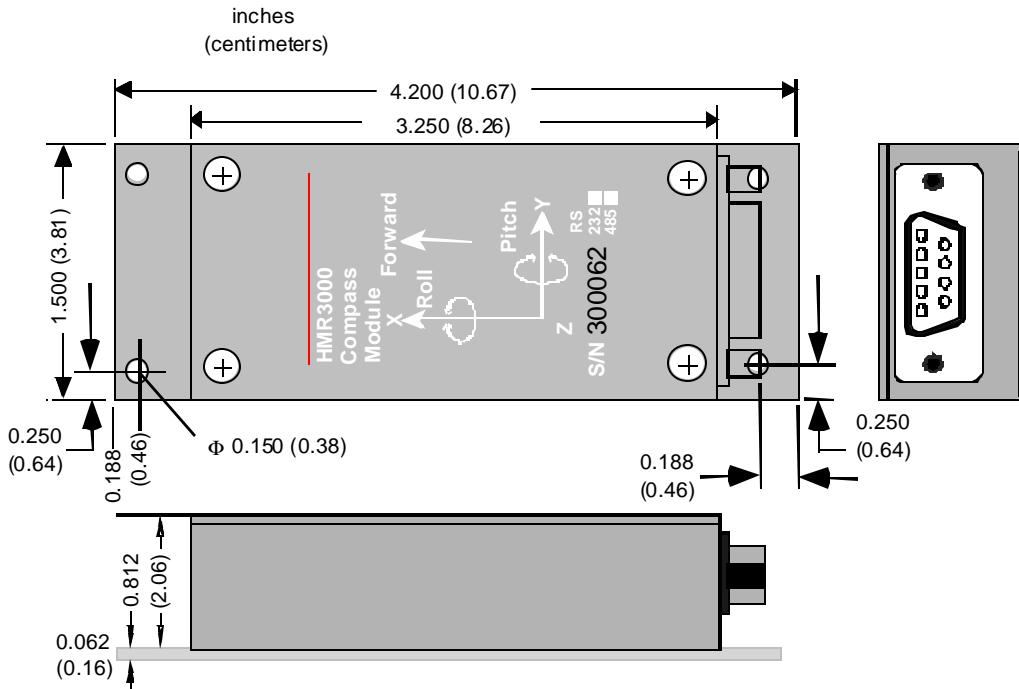


Figure 5. Housed Compass

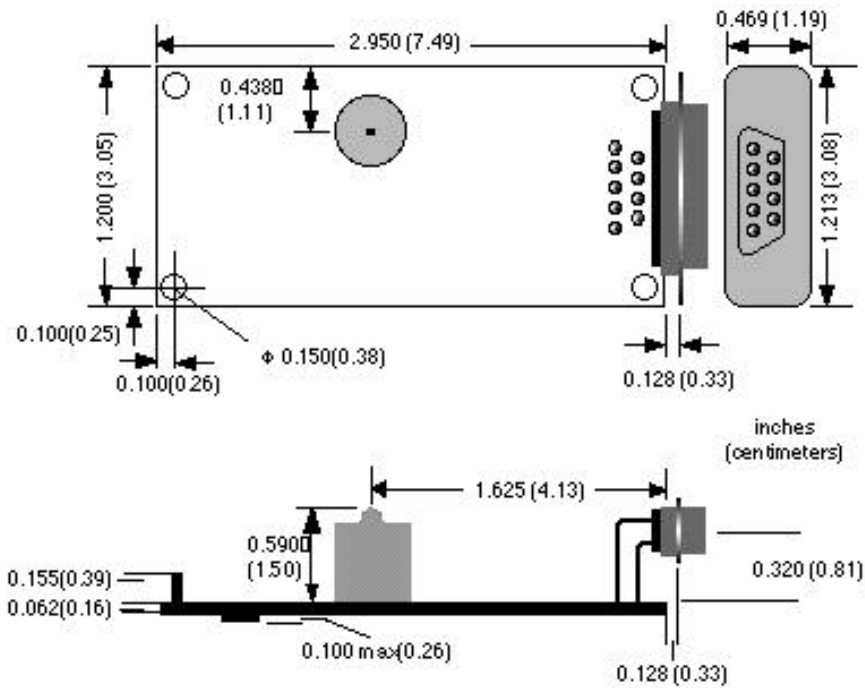
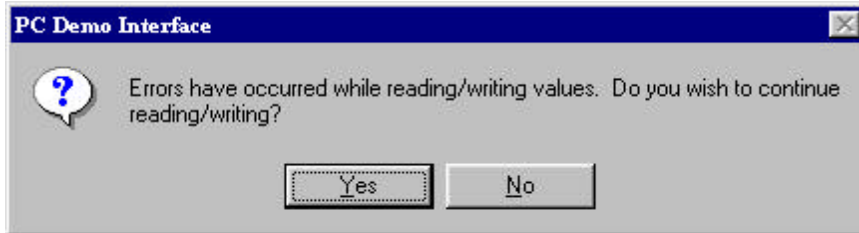


Figure 6. Circuit Card

Troubleshooting Guide for HMR3000

- (A) ***Did not get the Card Identification message, instead got the message below upon launching the PC Demo Interface program.***



Click on "No" and quit the program.

This could be due to any one of the following

- 1) HMR3000 is not connected, check the cable for continuity and pin out.
- 2) HMR3000 is not connected to the specified computer port.
- 3) Low input voltage (< 5V), adjust the power pack to 6 or 9 V.
- 4) Incorrect baud rate (19200 factory setting) chosen. Try other baud rates.
- 5) If this error did not occur during your last session with HMR3000, it may have been configured to send a large number of messages that the computer can not handle.

Quit the Demo application.

Start a Hyper Terminal session from your Windows platform and be sure to set up this session appropriately (see HMR3000 User's Guide for details, for eg. with 19200 baud...)

Issue the following command to stop the compass output

#FA0.3=0*27<CR><lf> and try the Demo Program.

If the above did not resolve the problem, call Honeywell.

(B) ***Launched PC Demo Interface but no compass output***

Compass is in 'Stop' mode indicated by **Red** traffic light on the PC Demo Interface window. Tune the compass to 'Run' (continuous) mode by either clicking on the traffic light button or in Tune Parameters \ General tab.

(C) ***Compass rose does not update or is slow***

Compass is in 'Stop' mode, see above or.

HPR message rate is zero. Change this message rate (Tune parameters \ Serial Output tab)

Your computer is not servicing the graphical interface fast enough. Close other application or try a fast computer (Pentium).

(D) ***Log file does not update***

Compass is in 'Stop' mode. See above.

Log All messages is tuned off. Click Log all messages in Diagnostics \ Options \ Logging tab

Log does not display the recent messages. Click off the 'Always show most recent entry' box in Diagnostics \ Options \ Logging tab.

(E) ***Heading display turns blank and Red***

Compass is in a high magnetic field region. Move HMR3000 away from this region or lower the magnetometer gain (see HMR3000 User's Guide for details).

How to set the Baud Rate

Through the PC Demo Interface

- 1) Connect the device and run PC Demo
- 2) Go to Tune Parameters / Serial Output page through the main menu of the program
- 3) Select the baud rate
- 4) Power down the device
- 5) Power up the device and communicate with the new baud rate

Through Direct Commands

- 1) Set up normal communications with the current baud rate
- 2) Issue the commands (see Section 4.4 of the User's Guide and Baud Rate)
- 3) Power down the device
- 4) Power up the device and communicate with the new baud rate