

Patent Number: 64097, 86474, 113235(R.O.C.), 5424740(U.S.A.)

Features

- Universal specification
- Operating voltage: 2.0V~5.5V
- Low standby current
- Low memory retention current: 0.1 μ A (Typ.)
- Tone/pulse switchable
- Interface with LCD driver
- 32 digits for redialing
- 32 digits for the SA memory dialing
- One-key redialing
- Pause and P→T key for PBX
- 4x5 keyboard matrix
- 3.58MHz crystal or ceramic resonator
- Hand-free control
- Hold-line control
- Pause, P→T can be saved for redialing
- Lock function
- Keytone function
- Resistor options:
 - M/B ratio
 - Flash function and flash time (86ms~600ms)
 - Pause and P→T duration
 - Pulse number
 - Keyboard operated IDD lock function
 - Keyboard form
- HT9315A/HT9315AL: 18-pin DIP package
- HT9315B/HT9315BL: 22-pin SKDIP package
- HT9315C/HT9315CL: 20-pin DIP package
- HT9315D/HT9315DL: 24-pin SKDIP package

General Description

The HT9315 series tone/pulse dialers are CMOS LSIs for telecommunication systems. They are designed to meet various dialing specifications through resistor option matrix.

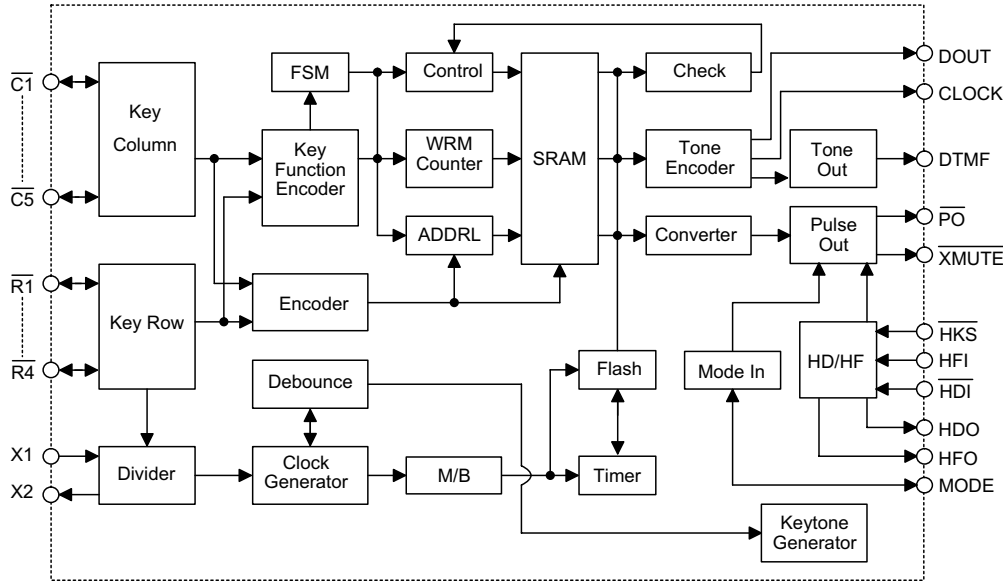
The HT9315 series are offered in two different versions. They are HT9315x normal version and

HT9315xL lock version, with keyboard-operated IDD lock function. The two versions also supply the following functions: Hold-line, Hand-free and LCD dialing number display interface, all of which are suitable for feature phone applications.

Selection Table

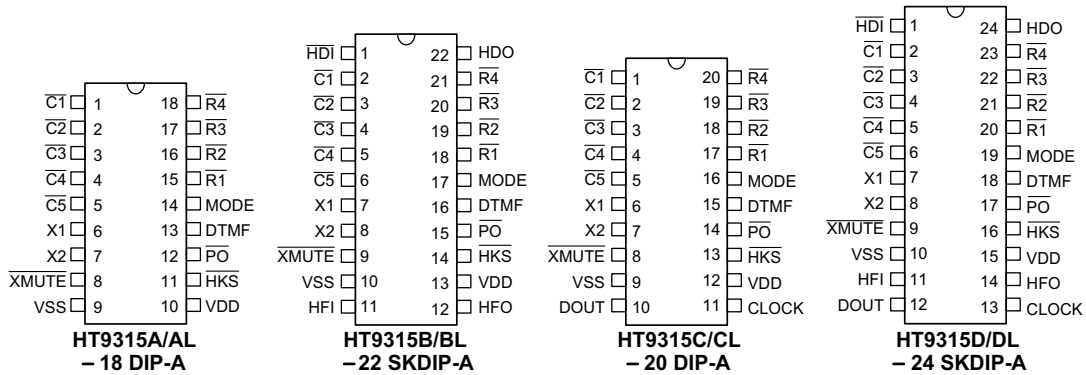
Function Item	Lock Function	Hold-Line	Hand-Free	LCD Interface	Min. Flash Time	Package
HT9315x	(Normal version)					
HT9315A	—	—	—	—	98ms	18 DIP
HT9315B	—	√	√	—		22 SKDIP
HT9315C	—	—	—	√		20 DIP
HT9315D	—	√	√	√		24 SKDIP
HT9315xL	(Mechanical and Keyboard Operated Lock Version)					
HT9315AL	Lock 0	—	—	—	98ms	18 DIP
HT9315BL	Lock 0, 9	√	√	—		22 SKDIP
HT9315CL	Lock All	—	—	√		20 DIP
HT9315DL	Keyboard Operated Lock	√	√	√		24 SKDIP

Block Diagram



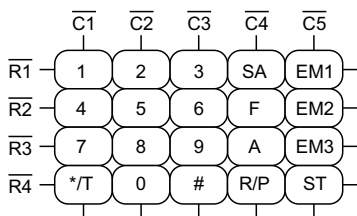
Pin Assignment

HT9315x/xL version

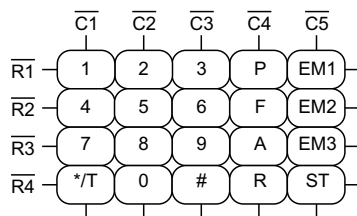


Keyboard Information

Form A



Form B

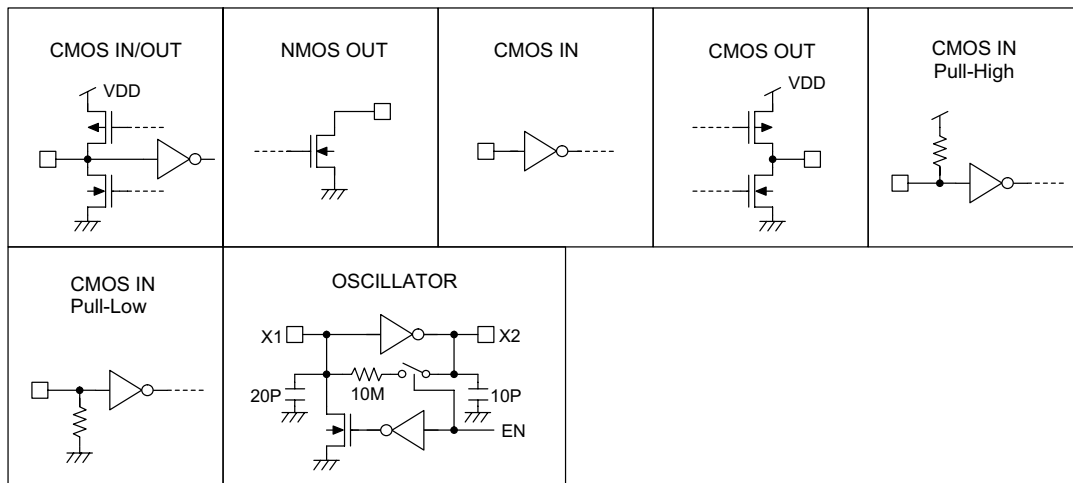


Pin Description

Pin Name	I/O	Internal Connection	Description
$\overline{C1}\sim\overline{C5}$ $\overline{R1}\sim\overline{R4}$	I/O	CMOS IN/OUT	<p>These pins form a 4×5 keyboard matrix which can perform keyboard input detection and dialing specification setting functions. When on-hook (\overline{HKS}=high) all the pins are set high. While off-hook the column group ($\overline{C1}\sim\overline{C5}$) remains low and the row group ($\overline{R1}\sim\overline{R4}$) is set high for key input detection.</p> <p>An inexpensive single contact 4×5 keyboard can be used as an input device. Pressing a key connects a single column to a single row, and actuates the system oscillator that results in a dialing signal output. If more than two keys are pressed at the same time, no response occurs. The key-in debounce time is 20ms. Refer to the keyboard information for keyboard arrangement and to the functional description for dialing specification selection.</p>
X1	I	OSCILLATOR	<p>The system oscillator consists of an inverter, a bias resistor and the necessary load capacitor on chip. Connecting a standard 3.579545MHz crystal or ceramic resonator to the X1 and X2 terminals can implement the oscillator function. The oscillator is turned off in the standby mode, and is actuated whenever a keyboard entry is detected.</p>
X2	O		
\overline{XMUTE}	O	NMOS OUT	<p>\overline{XMUTE} is an NMOS open drain structure pulled to VSS during dialing signal transmission. Otherwise, it is an open circuit. \overline{XMUTE} is used to mute the speech circuit when transmitting the dial signal.</p>
\overline{HKS}	I	CMOS IN	<p>This pin is used to monitor the status of the hook-switch and its combination with $\overline{HFI}/\overline{HDI}$ can control the \overline{PO} pin output to make or break the line.</p> <p>$\overline{HKS}=\overline{VDD}$: On-hook state ($\overline{PO}$=low). Except for $\overline{HFI}/\overline{HDI}$ (hand-free/hold-line control input), other functions are all disabled.</p> <p>$\overline{HKS}=\overline{VSS}$: Off-hook state ($\overline{PO}$=high). The chip is in the standby mode and ready to receive the key input.</p>
\overline{PO}	O	CMOS OUT	<p>This pin is a CMOS output structure which by receiving the \overline{HKS} and $\overline{HFO}/\overline{HDO}$ signals, control the dialer to connect or disconnect the telephone line.</p> <p>\overline{PO} outputs a low to break line when \overline{HKS} is high (on-hook) and $\overline{HFO}/\overline{HDO}$ is low. \overline{PO} outputs a high to make line when \overline{HKS} is low (off-hook) or \overline{HFO} is high or \overline{HDO} is high.</p> <p>During the off-hook state, this pin also outputs the dialing pulse train in pulse mode dialing. While in the tone mode, this pin is always high.</p>
MODE	I/O	CMOS IN/OUT	<p>This is a three-state input/output pin, use for dialing mode selection, either Tone mode or Pulse mode, 10pps/20pps</p> <p>MODE=\overline{VDD}: Pulse mode, 10pps</p> <p>MODE=OPEN: Pulse mode, 20pps</p> <p>MODE=\overline{VSS}: Tone mode</p> <p>During the pulse mode dialing, switching this pin to the tone mode changes the subsequent digit entry to tone mode. When the chips are in tone mode, switching to pulse mode will also be recognized.</p>
DTMF	O	CMOS OUT	<p>This pin is active only when the chip transmits tone dialing signals. Otherwise, it always outputs a low. The pin outputs tone signals to drive the external transmitter amplifier circuit. The load resistor should not be less than 5kΩ.</p>
\overline{HDI}	I	CMOS IN Pull-High	<p>This pin is a Schmitt trigger input structure. Active low. Applying a negative going pulse to this pin can toggle the \overline{HDO} output once.</p> <p>An external RC network is recommended for input debouncing. The pull-high resistance is 200kΩ typ.</p>
\overline{HDO}	O	CMOS OUT	<p>The \overline{HDO} is a CMOS output structure. Its output is toggle- controlled by a negative transition on \overline{HDI}. When \overline{HDO} is toggled high, \overline{PO} keeps high to hold the line. The hold function can be released by setting \overline{HFO} high or by an on/off hook operation or by another \overline{HDI} input. Refer to the functional description for the hold-line function.</p>

Pin Name	I/O	Internal Connection	Description
HFI	I	CMOS IN Pull-Low	This pin is a Schmitt trigger input structure. Active high. Applying a positive pulse to HFI can toggle the HFO once and hence control the hand-free function. The pull-low resistance of HFI is 200kΩ typ. An external RC network is recommended for input debouncing.
HFO	O	CMOS OUT	The HFO is a CMOS output structure. Its output is toggle- controlled by a positive transition on HFI pin. When HFO is high, the hand-free function is enabled and \overline{PO} outputs a high to connect the line. The hand-free function can be released by setting HDO high or by an on-off-hook operation or by another HFI input. Refer to the functional description for the hand-free functional operation.
DOUT	O	NMOS OUT	NMOS open drain output pin. It outputs the BCD code of the dialing digits to the LCD driver chip (HT16XX series) or MCU for dialing number display. Refer to the functional description for the detailed timing.
CLOCK	O	NMOS OUT	NMOS open drain output. When dialing, it outputs a series of pulse trains for DOUT data synchronization. DOUT data is valid at the falling edge of the clock.
VDD	—	—	Positive power supply, 2.0V~5.5V for normal operation
VSS	—	—	Negative power supply, ground

Approximate internal connection circuits



Absolute Maximum Ratings

Supply Voltage	-0.3V to 6V	Input Voltage	$V_{SS}-0.3$ to $V_{DD}+0.3V$
Storage Temperature	-50°C to 125°C	Operating Temperature	-20°C to 75°C

Note: These are stress ratings only. Stresses exceeding the range specified under "Absolute Maximum Ratings" may cause substantial damage to the device. Functional operation of this device at other conditions beyond those listed in the specification is not implied and prolonged exposure to extreme conditions may affect device reliability.

Electrical Characteristics
 $F_{OSC}=3.5795\text{MHz}$, $T_a=25^\circ\text{C}$

Symbol	Parameter	Test Conditions		Min.	Typ.	Max.	Unit	
		V _{DD}	Conditions					
V _{DD}	Operating Voltage	—	—	2	—	5.5	V	
I _{DD}	Operating Current	2.5V	Pulse	Off-hook	—	0.2	1	mA
			Tone	Keypad entry No load	—	0.6	2	mA
I _{STB}	Standby Current	1V	On-hook, no load No entry	—	—	1	μA	
V _R	Memory Retention Voltage	—	—	1	—	5.5	V	
I _R	Memory Retention Current	1V	On-hook	—	0.1	0.2	μA	
V _{IL}	Input Low Voltage	—	—	V _{SS}	—	0.2V _{DD}	V	
V _{IH}	Input High Voltage	—	—	0.8V _{DD}	—	V _{DD}	V	
I _{XMO}	$\overline{\text{XMUTE}}$ Leakage Current	—	V _{XMUTE} =12V, No entry	—	—	1	μA	
I _{OLXM}	$\overline{\text{XMUTE}}$ Sink Current	2.5V	V _{XMUTE} =0.5V	1	—	—	mA	
I _{HKS}	$\overline{\text{HKS}}$ Pin Input Current	2.5V	V _{HKS} =2.5V	—	—	0.1	μA	
R _{HFI}	HFI Pull-Low Resistance	2.5V	V _{HFI} =2.5V	—	200	—	kΩ	
R _{HDI}	$\overline{\text{HDI}}$ Pull-High Resistance	2.5V	V _{HDI} =0V	—	200	—	kΩ	
I _{OH1}	Keypad Pin Source Current	2.5V	V _{OH} =0V	-4	—	-40	μA	
I _{OL1}	Keypad Pin Sink Current	2.5V	V _{OL} =2.5V	200	400	—	μA	
I _{OH2}	HFO Pin Source Current	2.5V	V _{OH} =2V	-1	—	—	mA	
I _{OL2}	HFO Pin Sink Current	2.5V	V _{OL} =0.5V	1	—	—	mA	
I _{OH3}	HDO Pin Source Current	2.5V	V _{OH} =2V	-1	—	—	mA	
I _{OL3}	HDO Pin Sink Current	2.5V	V _{OL} =0.5V	1	—	—	mA	
T _{FP}	Pause Time After Flash	—	Control key	—	0.2	—	s	
			Digit key	—	1	—		
T _{RP}	One-key Redialing Pause Time	—	One-key redialing	—	1	—	s	
T _{DB}	Key-in Debounce Time	—	—	—	20	—	ms	
T _{BRK}	Break Time for One-key Redialing	—	One-key redialing	—	1.2	—	s	
F _{OSC}	System Frequency	—	Crystal=3.5795MHz	3.5759	3.5795	3.5831	MHz	

Pulse Mode Electrical Characteristics
 $F_{OSC}=3.5795\text{MHz}$, $T_a=25^\circ\text{C}$

Symbol	Parameter	Test Conditions		Min.	Typ.	Max.	Unit
		V _{DD}	Conditions				
I _{POH}	$\overline{\text{PO}}$ Output Source Current	2.5V	V _{OH} =2V	-0.2	—	—	mA
I _{POL}	$\overline{\text{PO}}$ Output Sink Current	2.5V	V _{OL} =0.5V	0.2	0.6	—	mA
PR	Pulse Rate	—	MODE pin is connected to V _{DD}	—	10	—	pps
			MODE pin is opened	—	20	—	
M/B	Make/Break Ratio	—	A resistor is linked between $\overline{\text{R2}}$ and $\overline{\text{C1}}$	—	33:66	—	%
			No resistor is linked between $\overline{\text{R2}}$ and $\overline{\text{C1}}$	—	40:60	—	
T _{PDP}	Pre-digit-pause Time	—	M/B ratio=40:60	—	40 (10pps) 20 (20pps)	—	ms
			M/B ratio=33:66	—	33 (10pps) 17 (20pps)	—	
T _{IDP}	Inter-digit-pause Time	—	Pulse rate=10pps	—	800	—	ms
			Pulse rate=20pps	—	500	—	
T _M	Pulse Make Duration	—	A resistor is linked between $\overline{\text{R2}}$ and $\overline{\text{C1}}$	—	33 (10pps) 17 (20pps)	—	ms
			No resistor is linked between $\overline{\text{R2}}$ and $\overline{\text{C1}}$	—	40 (10pps) 20 (20pps)	—	
T _B	Pulse Break Duration	—	A resistor is linked between $\overline{\text{R2}}$ and $\overline{\text{C1}}$	—	66 (10pps) 33 (20pps)	—	ms
			No resistor is linked between $\overline{\text{R2}}$ and $\overline{\text{C1}}$	—	60 (10pps) 30 (20pps)	—	

Tone Mode Electrical Characteristics
 $F_{OSC}=3.5795\text{MHz}$, $T_a=25^\circ\text{C}$

Symbol	Parameter	Test Conditions		Min.	Typ.	Max.	Unit
		V _{DD}	Conditions				
V _{TDC}	DTMF Output DC Level	—	—	0.45V _{DD}	—	0.7V _{DD}	V
I _{TOL}	DTMF Sink Current	2.5V	V _{DTMF} =0.5V	0.1	—	—	mA
V _{TAC}	DTMF Output AC Level	—	Row group, R _L =5k Ω	0.12	0.155	0.18	V _{rms}
R _L	DTMF Output Load	2.5V	THD \leq -23dB	5	—	—	k Ω
A _{CR}	Column Pre-emphasis	2.5V	Row group=0dB	1	2	3	dB
THD	Tone Signal Distortion	2.5V	R _L =5k Ω	—	-30	-23	dB
T _{TMIN}	Minimum Tone Duration	—	Auto-redial	—	82.5	—	ms
T _{ITPM}	Minimum Inter-tone Pause	—	Auto-redial	—	85.5	—	ms

$$\text{THD (Distortion) (dB)} = 20 \log \left(\frac{\sqrt{V_1^2 + V_2^2 + \dots + V_n^2}}{\sqrt{V_i^2 + V_h^2}} \right)$$

V_i, V_h: Row group and column group signals

V₁, V₂, ... V_n: Harmonic signals (BW=300Hz~3500Hz)

Functional Description

Keyboard matrix

$\overline{C1}\sim\overline{C5}$ and $\overline{R1}\sim\overline{R4}$ form a keyboard matrix. Together with a standard 4x5 keyboard, the keyboard matrix is used for dialing entries. In addition, the keyboard matrix provides resistor option for different dialing specification selections. The keyboard arrangement for each of the HT9315 series are shown in the Keyboard Information.

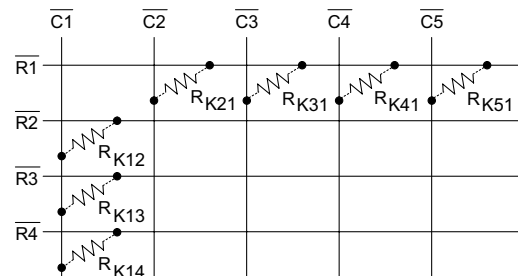
Tone frequency

Tone Name	Output Frequency (Hz)		% Error
	Specified	Actual	
$\overline{R1}$	697	699	+0.29%
$\overline{R2}$	770	766	-0.52%
$\overline{R3}$	852	847	-0.59%
$\overline{R4}$	941	948	+0.74%
$\overline{C1}$	1209	1215	+0.50%
$\overline{C2}$	1336	1332	-0.30%
$\overline{C3}$	1477	1472	-0.34%

Note: % Error does not contain the crystal frequency drift

Dialing specification selection

Various dialing specifications can be selected by adding resistors across keyboard matrix pins. The allowable option resistor connections are shown on the table.



All the resistors are 330kΩ. The resistor option functions and the default specifications without option resistors are listed below.

Option Resistor	Option Function	Default (No Resistor)
R_{K12}	Make/Break Ratio Selection	40:60
R_{K13} R_{K14}	Flash Function and Flash Time Selection	Flash= control function Flash time= 600ms
R_{K21}	Pause & P→T Duration Selection	$T_P= 3.6s$ $T_{P\rightarrow T}= 3.6s$
R_{K31} R_{K41}	Pulse Number Selection or IDD Lock Selection	N or Keyboard Operated Lock
R_{K51}	Keypad Form	FormA

M/B ratio selection table

R_{K12}	M/B Ratio (%)
No	40:60
Yes	33.3:66.6

Flash function/time (duration) selection table

• HT9315x

R_{K13}	R_{K14}	Flash Function	Flash Time (T_F)
No	No	Control	600ms
No	Yes	Digit	600ms
Yes	No	Digit	98ms
Yes	Yes	Digit	300ms

• HT9315xL

R_{K13}	R_{K14}	Flash Function	Flash Time (T_F)
No	No	Control	600ms
No	Yes	Control	600ms
Yes	No	Control	98ms
Yes	Yes	Control	300ms

Pause and P→T duration selection table

R_{K21}	T_P (sec)	$T_{P\rightarrow T}$ (sec)
No	3.6	3.6
Yes	2	1

Pulse number selection table

- This table shows pulse number selections for HT9315x. The table for HT9315xL is used to select IDD lock function.

R_{K31}	R_{K41}	Pulse Number
No	No	N
No	Yes	N+1
Yes	No	10-N
Yes	Yes	—

Pulse number table

Keypad	Output Pulse Number		
	Normal N	New Zealand (10N)	Sweden/Denmark (N+1)
1	1	9	2
2	2	8	3
3	3	7	4
4	4	6	5
5	5	5	6
6	6	4	7
7	7	3	8
8	8	2	9
9	9	1	10
0	10	10	1
*/T	P→T	P→T	P→T
#	Ignored	Ignored	Ignored

The keyboard arrangement selection table

R _{K51}	Keypad Form
No	Form A (see keyboard information)
Yes	Form B (see keyboard information)

Hand-free function operation

- Hand-free function execution
When HFO is low, a rising edge triggers the HFI, enabling the Hand-free function (HFO becomes high).
- Reset Hand-free function
When HFO is high, the Hand-free function is enabled and can be reset by:
 - ♦ Off-hook
 - ♦ Applying a rising edge to HFI
 - ♦ Changing the HDO pin from low to high
- Hand-free function table

Current State			Input			Next State	
HKS	HFO	HDO	HDI	HFI	HKS	HFO	HDO
H	L	X	H	L	An	L	An
H	L	X	H	▲	An	H	L
H	H	X	H	▲	An	L	An
H	X	L	H	L	L	L	L
L	L	X	H	L	An	L	An
L	L	X	H	▲	An	H	L
L	H	L	H	▲	An	L	An
L	X	X	H	L	H	An	An
X	X	L	▼	L	An	L	H

H: Logic HIGH X: Don't care ▲: Rising edge
L: Logic LOW An: Unchanged ▼: Falling edge

Hold-line function operation

- Hold-line function execution
When HDO is low, a falling edge triggers the HDI, enabling the Hold-line function (HDO becomes high). The XMUTE remains low when HDO is high.
- Reset Hold-line function
When HDO is high, the Hold-line function is enabled and can be reset by:
 - ♦ Off-hook
 - ♦ Applying a falling edge to HDI
 - ♦ Changing the HFO pin from low to high
- Hold-line function table

Current State			Input			Next State	
HKS	HDO	HFO	HFI	HDI	HKS	HDO	HFO
H	L	X	L	H	An	L	An
H	L	X	L	▼	An	H	L
H	H	L	L	▼	An	L	An
H	X	X	L	H	L	L	L
L	L	X	L	H	An	L	An
L	L	X	L	▼	An	H	L
L	H	L	L	▼	An	L	An
L	X	X	L	H	H	An	An
X	X	L	▲	H	An	L	H

H: Logic HIGH X: Don't care ▲: Rising edge
L: Logic LOW An: Unchanged ▼: Falling edge

DOUT BCD code

When dialing, the corresponding 4-bit BCD codes are serially presented on DOUT from MSB to LSB. The data of DOUT is valid at the falling edge of the CLOCK pin. The following table lists the BCD codes corresponding to the keyboard input.

Key-In	BCD Code	Key-In	BCD Code
1	0001	8	1000
2	0010	9	1001
3	0011	0	1010
4	0100	*/T	1101
5	0101	#	1100
6	0110	F	1011
7	0111	P	1110

LOCK function

The function aims to detect locked dialing number to prevent a long distance call. The dialing output of the chip is disabled if the first input key after on-off-hook is the locked number when the lock function is enabled. The lock function selection is listed below. This function is implemented on the HT9315xL. The HT9315x does not support this function.

R _{K31}	R _{K41}	Function
No	No	Keyboard operated IDD lock
No	Yes	Lock 0
Yes	No	Lock 0, 9
Yes	Yes	All keys are locked

Key definition

- 0,1,2,3,4,5,6,7,8,9 keys
These are dialing number input keys for both the pulse mode and the tone mode operations.
- */T
This key executes the P→T function and waits a T_{P→T} duration in the pulse mode. On the other hand, the */T key executes the * function in the tone mode.
- #
This is a dialing signal key for the tone mode only, no response in the pulse mode.
- SA
Pressing this key can save the preceding dialing telephone numbers. The saved number is redialed if it is pressed again. SA will also redial the saved number if it is the first key pressed at the off-hook state. During the dialing signal transmission, the SA key is inhibited.

- F
The flash key can be selected as a digit or as a control key by the option resistors R_{K13} & R_{K14}. Pressing the F key will force the \overline{PO} pin to be low for the T_F duration and is then followed by T_{FP} (sec). T_F can also be selected by R_{K13}, R_{K14}.
- P
Pause key. The execution of this key pauses the output for the T_P duration. T_P can be selected by R_{K21}.
- R
Redial key. Executes redialing as well as one-key redial function.
- ST
Store key. The execution of this key actuates the store memory function with (or without) dialing output and it can store lock number with personal code in IDD lock operation. During the dialing signal transmission, the ST key is inhibited.
- R/P
Redial and pause function key. If it is pressed as the first key after off-hook, this key executes the redial function. Otherwise, it works as the pause key.
- EM1~EM3
One-touch memory dialing key. For speed-calling convenience, they provide memory dialing in either pulse or tone mode.
- A
Auto key. When this key is pressed before pressing any one of the digital keys (0~9) it executes the two-touch memory function.

Keyboard operation

The following operations are described under an on/off-hook or on-hook condition with the hand-free active condition.

• Normal dialing

– Pulse mode

(a) without */T

Keyboard input: D1 D2 ... Dn

Dialing output: D1 D2 ... Dn

RM: D1 D2 ... Dn

SAM: Unchanged

(b) with */T

Keyboard input: D1 D2 ... Dn */T Dn+1 ...
Dm

Dialing output: D1 D2 ... Dn TP T Dn+1 ... Dm
Pulse Tone

RM: D1 D2 ... Dn */T Dn+1 ... Dm

SAM: Unchanged

– Tone mode

(a) without */T

Keyboard input: D1 D2 ... Dn

Dialing output: D1 D2 ... Dn

RM: D1 D2 ... Dn

SAM: Unchanged

(b) with */T

Keyboard input: D1 D2 ... Dn */T Dn+1 ...
Dm

Dialing output: D1 D2 ... Dn * Dn+1 ... Dm

RM: D1 D2 ... Dn * Dn+1 ... Dm

SAM: Unchanged

Note: The maximum capacity of the RM memory is 32 digits. When more than 32 digits are entered, the signal is transmitted but the redial function is inhibited.

• Redial

– Pulse mode

(a) without */T

RM contents: D1 D2 ... Dn

Keyboard input: [R] or [R/P]

Dialing output: D1 D2 ... Dn

RM: Unchanged

SAM: Unchanged

(b) with */T

RM contents: D1 D2 ... Dn */T Dn+1 ... Dm

Keyboard input: [R] or [R/P]

Dialing output: D1 D2 ... Dn TP T Dn+1 ... Dm
Pulse Tone

RM: Unchanged

SAM: Unchanged

– Tone mode

(a) without */T

RM contents: D1 D2 ... Dn

Keyboard input: [R] or [R/P]

Dialing output: D1 D2 ... Dn

RM: Unchanged

SAM: Unchanged

(b) with */T

RM contents: D1 D2 ... Dn */T Dn+1 ... Dm

Keyboard input: [R] or [R/P]

Dialing output: D1 D2 ... Dn * Dn+1 ... Dm

RM: Unchanged

SAM: Unchanged

• One-key redial

– Pulse mode

(a) without */T

Keyboard input: **D1** **D2**... **Dn** **R**
 Dialing output: D1 D2 ... Dn T_{BRK} T_{RP}
 D1 D2 ... Dn
 RM: D1 D2 ... Dn
 SAM: Unchanged

(b) with */T

Keyboard input: **D1** **D2**... **Dn** **f/T** **Dn+1**...
 Dm **R**
 Dialing output: $\underbrace{\text{D1 D2 ... Dn}}_{\text{Pulse}}$ T_P τ $\underbrace{\text{Dn+1 ... Dm}}_{\text{Tone}}$
 T_{BRK} T_{RP} $\underbrace{\text{D1 D2 ... Dn}}_{\text{Pulse}}$ T_P τ
 Dn+1 ... Dm
 Tone
 RM: D1 D2 ... Dn */T Dn+1 ... Dm
 SAM: Unchanged

– Tone mode

(a) without */T

Keyboard input: **D1** **D2**... **Dn** **R**
 Dialing output: D1 D2 ... Dn T_{BRK} T_{RP} D1 D2
 ... Dn
 RM: D1 D2 ... Dn
 SAM: Unchanged

(b) with */T

Keyboard input: **D1** **D2**... **Dn** **f/T** **Dn+1**...
 Dm **R**
 Dialing output: D1 D2 ... Dn * Dn+1 ... Dm
 T_{BRK} T_{RP} D1 D2 ... Dn * Dn+1
 ... Dm
 RM: D1 D2 ... Dn * Dn+1 ... Dm
 SAM: Unchanged

Note: If the dialing number exceeds 32 digits, redialing is inhibited and PO=VDD

• SA copy

– Pulse mode

(a) without */T

Keyboard input: **D1** **D2**... **Dn** **SA**
 Dialing output: D1 D2 ... Dn
 RM: D1 D2 ... Dn
 SAM: D1 D2 ... Dn

(b) with */T

Keyboard input: **D1** **D2**... **Dn** **f/T** **Dn+1**...
 Dm **SA**
 Dialing output: $\underbrace{\text{D1 D2 ... Dn}}_{\text{Pulse}}$ T_P τ $\underbrace{\text{Dn+1 ... Dm}}_{\text{Tone}}$
 RM: D1 D2 ... Dn */T Dn+1 ... Dm
 SAM: D1 D2 ... Dn */T Dn+1 ... Dm

– Tone mode

(a) without */T

Keyboard input: **D1** **D2**... **Dn** **SA**
 Dialing output: D1 D2 ... Dn
 RM: D1 D2 ... Dn
 SAM: D1 D2 ... Dn

(b) with */T

Keyboard input: **D1** **D2**... **Dn** **f/T** **Dn+1**...
 Dm **SA**
 Dialing output: D1 D2 ... Dn * Dn+1 ... Dm
 RM: D1 D2 ... Dn * Dn+1 ... Dm
 SAM: D1 D2 ... Dn * Dn+1 ... Dm

Note: The maximum capacity of the RM memory is 32 digits. When more than 32 digits plus the "SA" key are entered, the SAVE function will not be executed, and all the existing data in the save memory will not be changed.

- SA dialing

- Pulse mode

- (a) without */T

SAM contents: D1 D2 ... Dn

Keyboard input: SA

Dialing output: D1 D2 ... Dn

RM: Unchanged

SAM: Unchanged

- (b) with */T

SAM contents: D1 D2 ... Dn */T Dn+1 ... Dm

Keyboard input: SA

Dialing output: D1 D2 ... Dn TP T Dn+1 ... Dm
Pulse Tone

RM: Unchanged

SAM: Unchanged

- Tone mode

- (a) without */T

SAM contents: D1 D2 ... Dn

Keyboard input: SA

Dialing output: D1 D2 ... Dn

RM: Unchanged

SAM: Unchanged

- (b) with */T

SAM contents: D1 D2 ... Dn * Dn+1 ... Dm

Keyboard input: SA

Dialing output: D1 D2 ... Dn * Dn+1 ... Dm

RM: Unchanged

SAM: Unchanged

- Flash

- Flash as a digital key

- (a) The intervenient key

Keyboard input: D1 D2 ... Dn F Dn+1 ...
Dm

Dialing output: D1 D2 ... Dn TF TFP Dn+1 ...
Dm

RM: D1 D2 ... Dn

SAM: Unchanged

- (b) The first key

Keyboard input: F D1 D2 ... Dn

Dialing output: TF TFP D1 D2 ... Dn

RM: Unchanged

SAM: Unchanged

- Flash as a control key

Keyboard input: D1 D2 ... Dn F Dn+1 ...
Dm

Dialing output: D1 D2 ... Dn TF TFP Dn+1 ...
Dm

RM: Dn+1 ... Dm

SAM: Unchanged

Note: TF: break a flash time

- Pause

Keyboard input: D1 D2 ... Dn [P or R/P] Dn+1 ... Dm

Dialing output: D1 D2 ... Dn TP Dn+1 ... Dm

RM: D1 D2 ... Dn P Dn+1 ... Dm

SAM: Unchanged

- Memory store

- One-touch memory store

- (a) without dialing output

Keyboard input: ...

Dialing output:

EMa: D1 D2 ... Dn

RM: D1 D2 ... Dn

- (b) with dialing output

Keyboard input: ...

Dialing output: D1 D2 ... Dn

EMa: D1 D2 ... Dn

RM: D1 D2 ... Dn

SAM: Unchanged

- Two-touch memory store

- (a) without dialing output

Keyboard input: ...

Dialing output:

Ma: D1 D2 ... Dn

RM: D1 D2 ... Dn

- (b) with dialing output

Keyboard input: ...

Dialing output: D1 D2 ... Dn

Ma: D1 D2 ... Dn

RM: D1 D2 ... Dn

SAM: Unchanged

Note: If the dialing number exceeds 32 digits, the memory store is inhibited.

However, if the dialing number is not more than 32 digits the memory will store a max. of 18 digits.

EMa=EM1~EM3, Ma=M0~M9, a=0~9

- Memory dialing

EMa contents: D1 D2 ... Dn

Keyboard input:

Dialing output: D1 D2 ... Dn

EMa: Unchanged

RM: D1 D2 ... Dn

SAM: Unchanged

Note: EMa=EM1~EM3. Ma=M0~M9, a=0~9.

Ma contents: D1 D2 ... Dn

Keyboard input:

Dialing output: D1 D2 ... Dn

Ma: Unchanged

RM: D1 D2 ... Dn

SAM: Unchanged

- Chain dialing

EM1 contents: D1 D2 ... Dn

EM2 contents: Dn+1 ... Dm

M1 contents: Dm+1 ... Dl

M2 contents: Dl+1 ... Dk

Keyboard input:

Dialing output: D1 D2 D3 Dm+1 ... Dl Dl+1 ... Dk D1 D2 ... Dn Dn+1 ... Dm

EM1/EM2/M1/M2: Unchanged

RM: D1 D2 D3 Dm+1 ... Dl Dl+1 ... Dk D1 D2 ... Dn Dn+1 ... Dm

SAM: Unchanged

Note: The maximum capacity of the RM memory is 32 digits. When the dialing number exceeds 32 digits, redialing is inhibited and PO=VDD

- Note:

RM: Redial memory

SAM: Save dialing memory

D1 D2 ... Dn: 0~9

Dn+1 ... Dm: 0~9, *, #

- Keyboard operated IDD lock function (2 locked numbers or a max. of 3 digits/numbers)

– Personal/Lock No.1/Lock No.2 input operation

(a) Personal code doesn't exist

Stores Personal Code: ST D1 D2 D3 ST * 0

Stores Lock No.1: ST D4 D5 D6 ST * 1

Stores Lock No.2: ST D7 D8 D9 ST * 2

(b) Personal code exist

Changes Personal Code: ST D1 D2 D3 ST # ST D4 D5 D6 ST * 0

(Old personal code) (New personal code)

Changes Lock No.1: ST D1 D2 D3 ST # ST D4 D5 D6 ST * 1

(Personal code) (Lock No.1)

Changes Lock No.2: ST D1 D2 D3 ST # ST D7 D8 D9 ST * 2

(Personal code) (Lock No.2)

Changes Personal Code, Lock No.1 and Lock No.2 at one time

ST D1 D2 D3 ST # ST D4 D5 D6 ST * 0 (continued)

(Old personal code) (New personal code)

ST D7 D8 D9 ST * 1 ST D10 D11 D12 ST * 2

(Lock No.1) (Lock No.2)

Personal/Lock No.1/Lock No.2 cancel operation

Cancels Personal code: ST D1 D2 D3 ST # ST # 0

Cancels Lock No.1: ST D1 D2 D3 ST # ST # 1

Cancels Lock No.2: ST D1 D2 D3 ST # ST # 2

Temporary release both of the locked numbers (Lock No.1, Lock No.2):

ST D1 D2 D3 ST # Dm Dm+1 Dm+2 DI ... Dn

(Personal code)

Note: D1~D12 = 0~9

Dm Dm+1 Dm+2 = 0~9

DI ... Dn = 0~9, *, #

. Note:

RM: Redial memory

SAM: Save dialing memory

D1 D2 ... Dn: 0~9

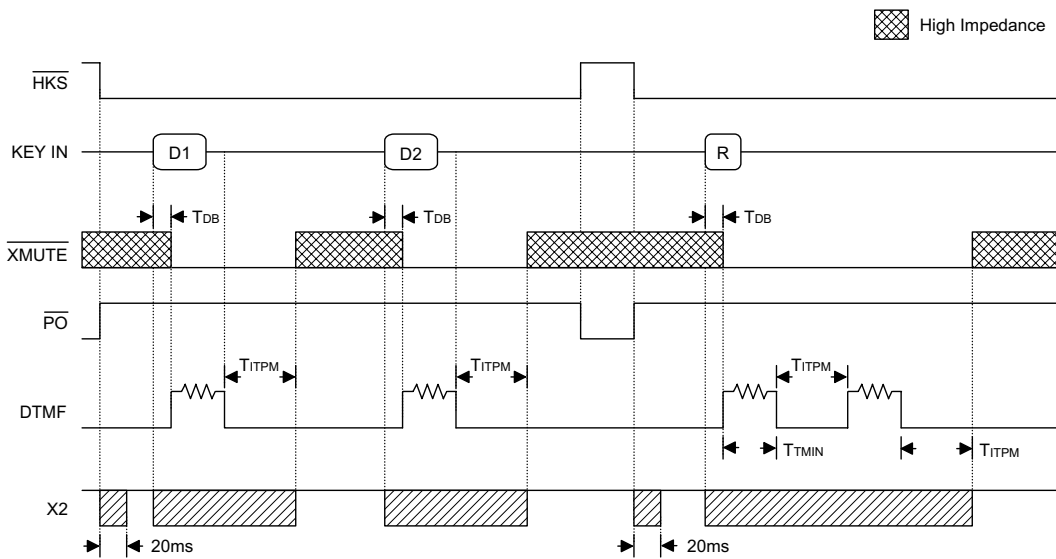
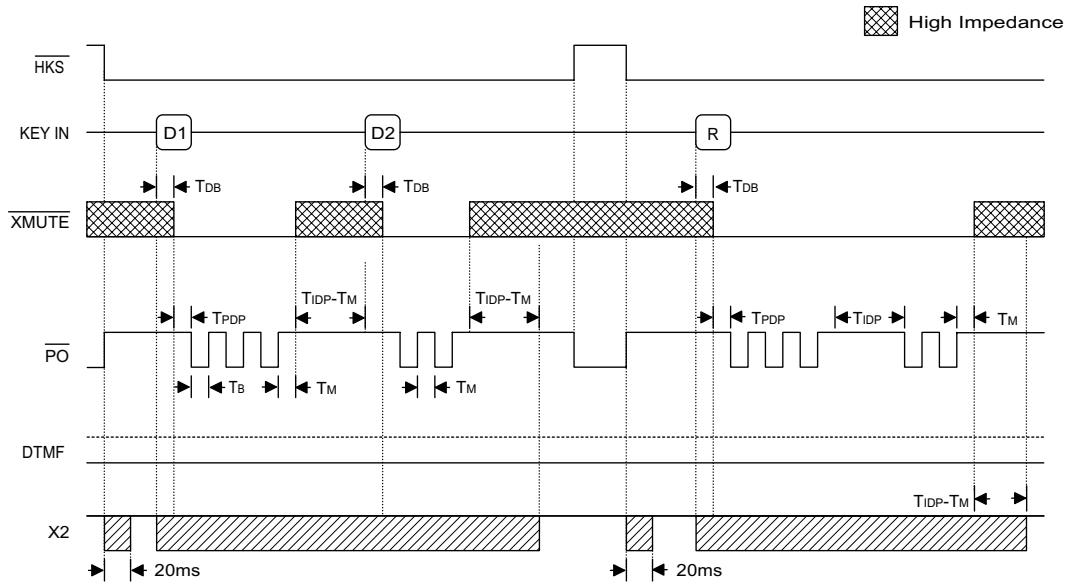
Dn+1 ... Dm: 0~9, *, #

Dm+1 ... DI: 0~9, *, #

DI+1 ... DK: 0~9, *, #

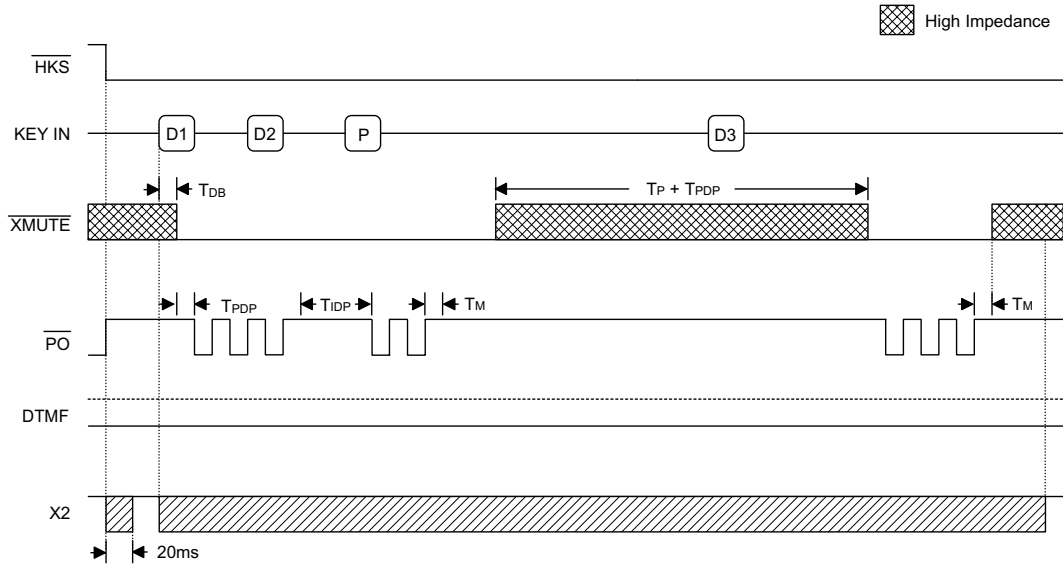
Timing Diagrams Pulse mode

- Tone mode

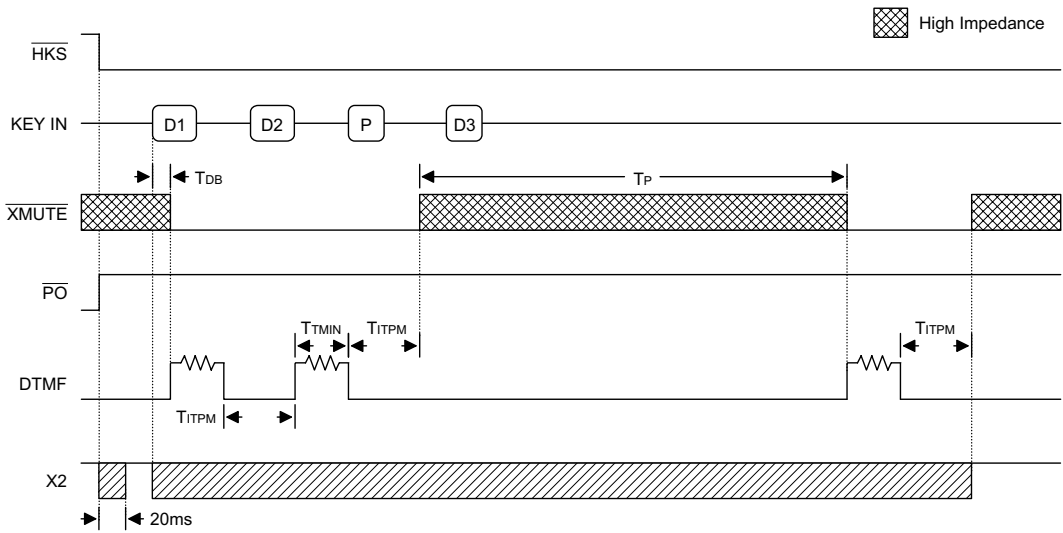


Dialing with pause key

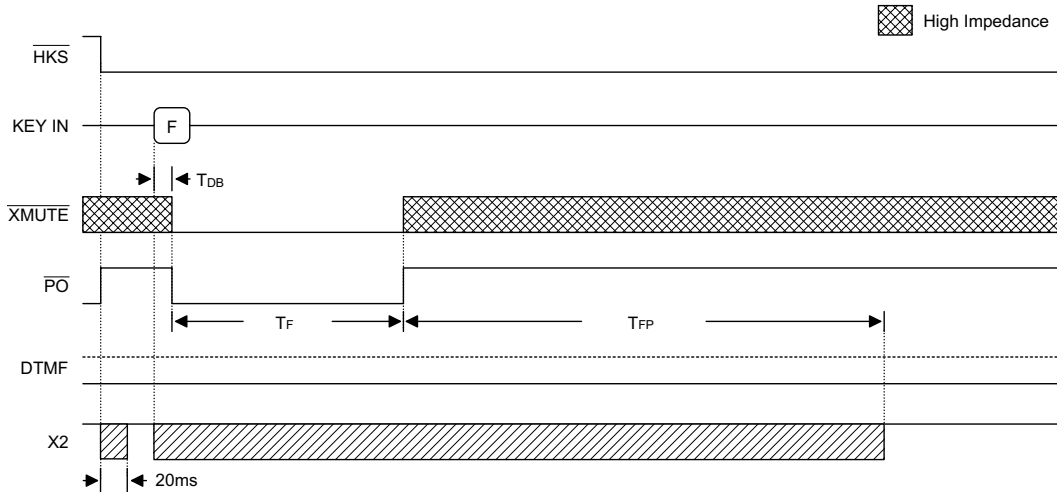
- Pulse mode



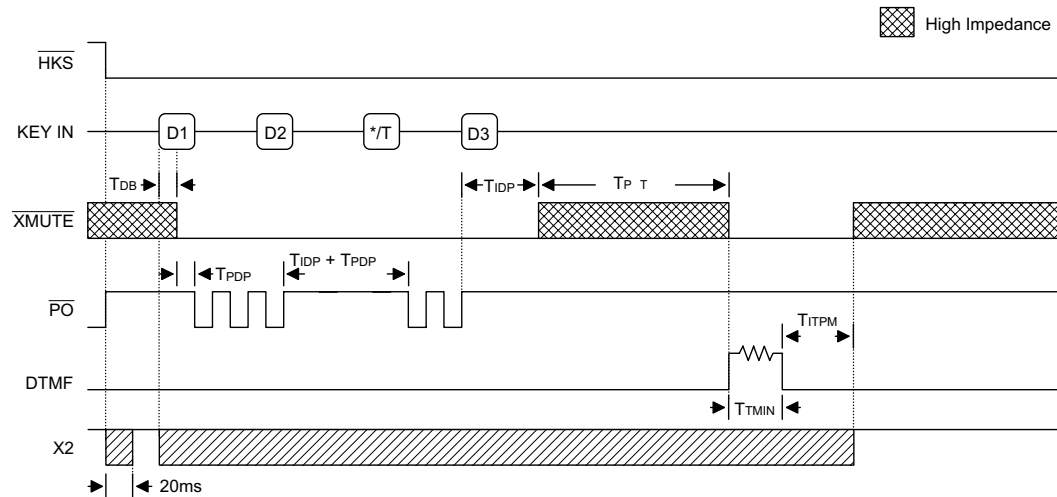
- Tone mode



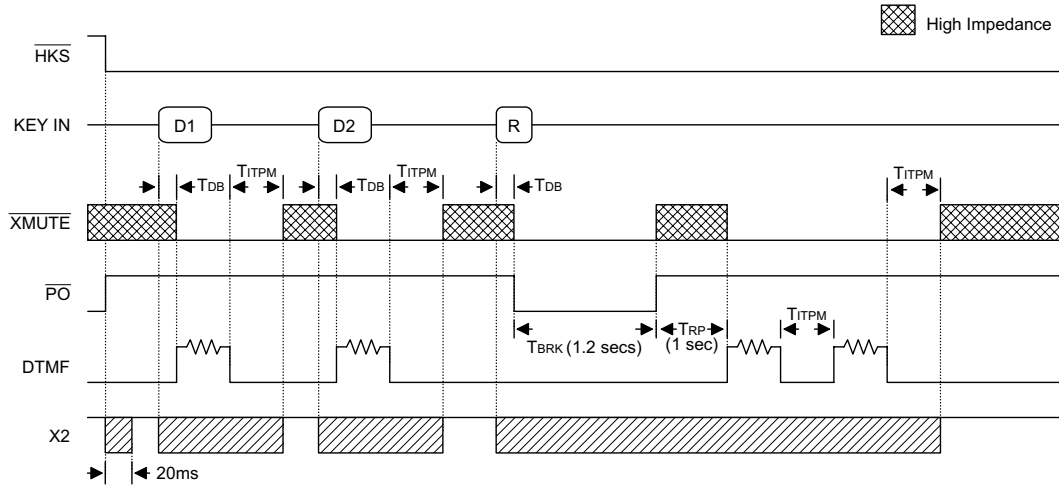
Flash key operation



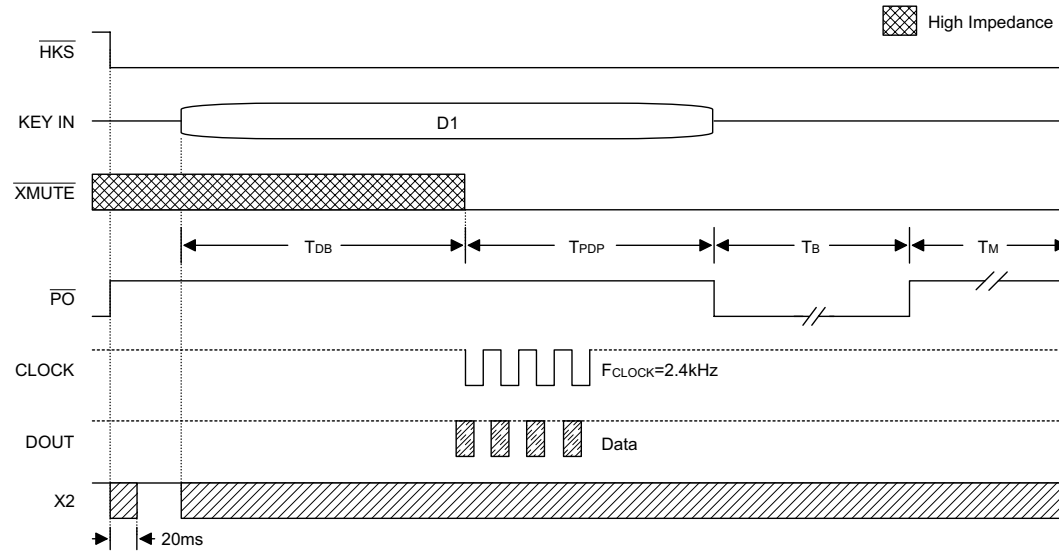
Pulse→Tone operation



One-key redial operation



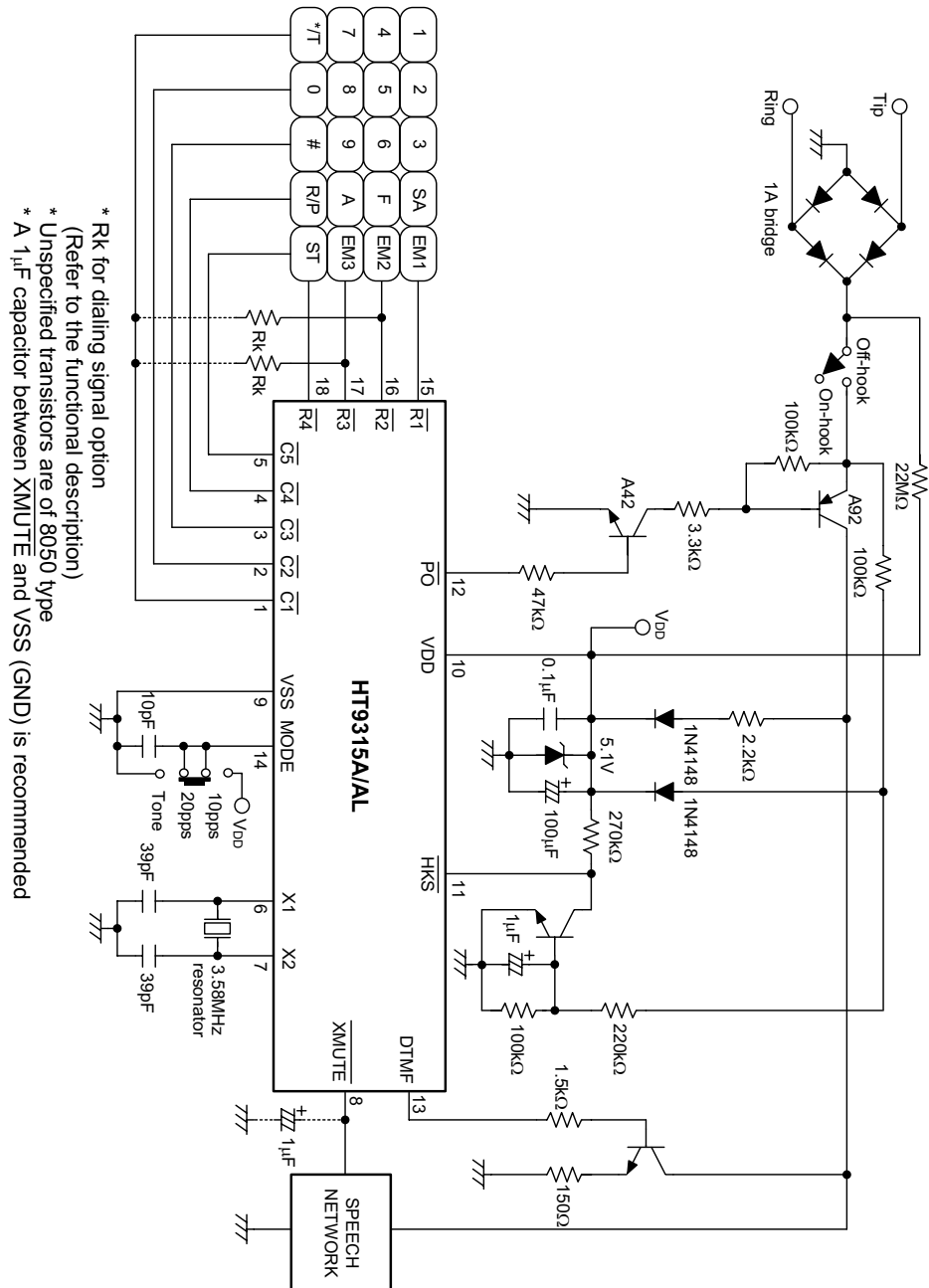
CLOCK & DOUT operation



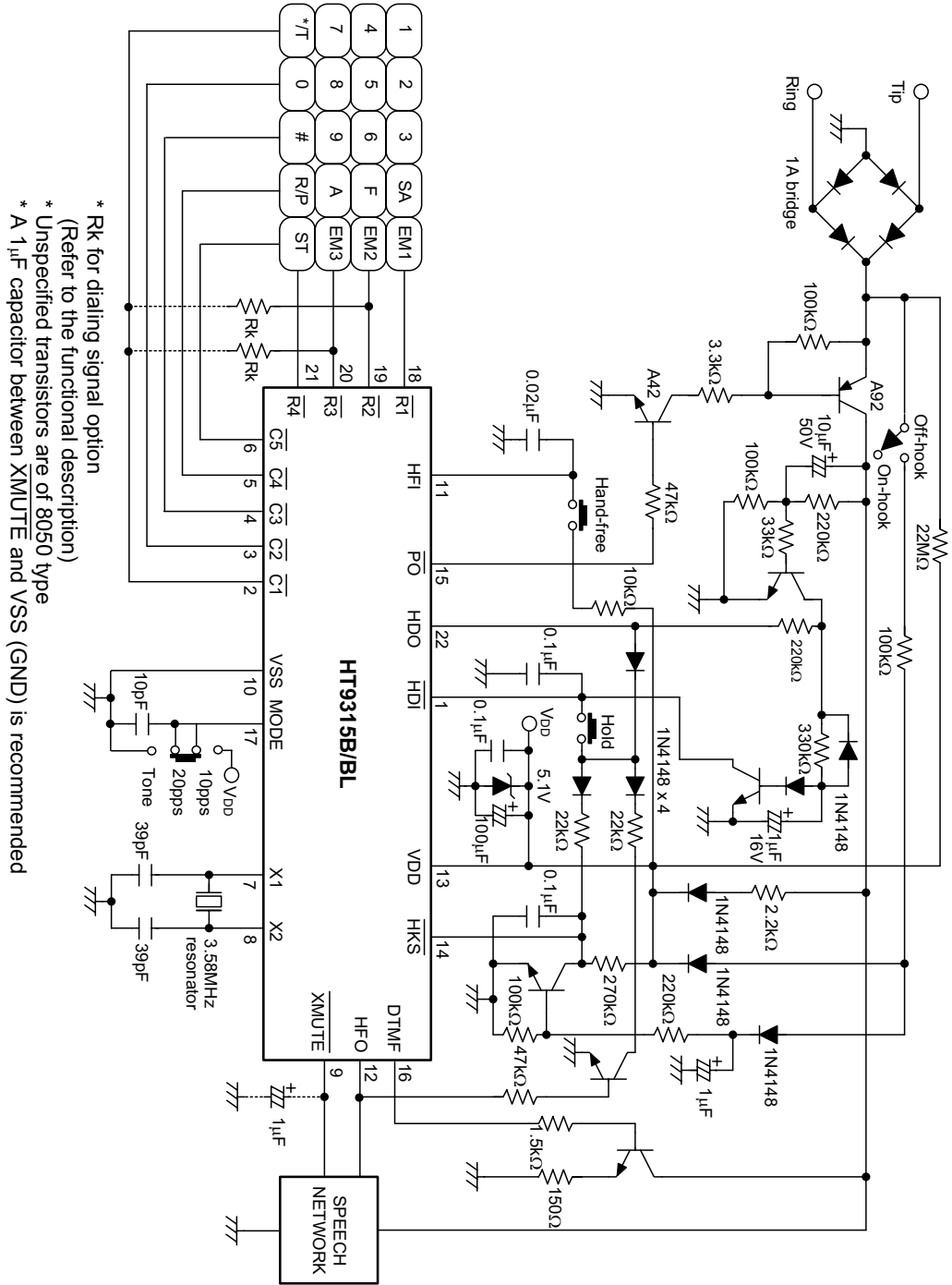
Note: D1=D3=3
D2=2

Application Circuits

Application circuit 1



Application circuit 2



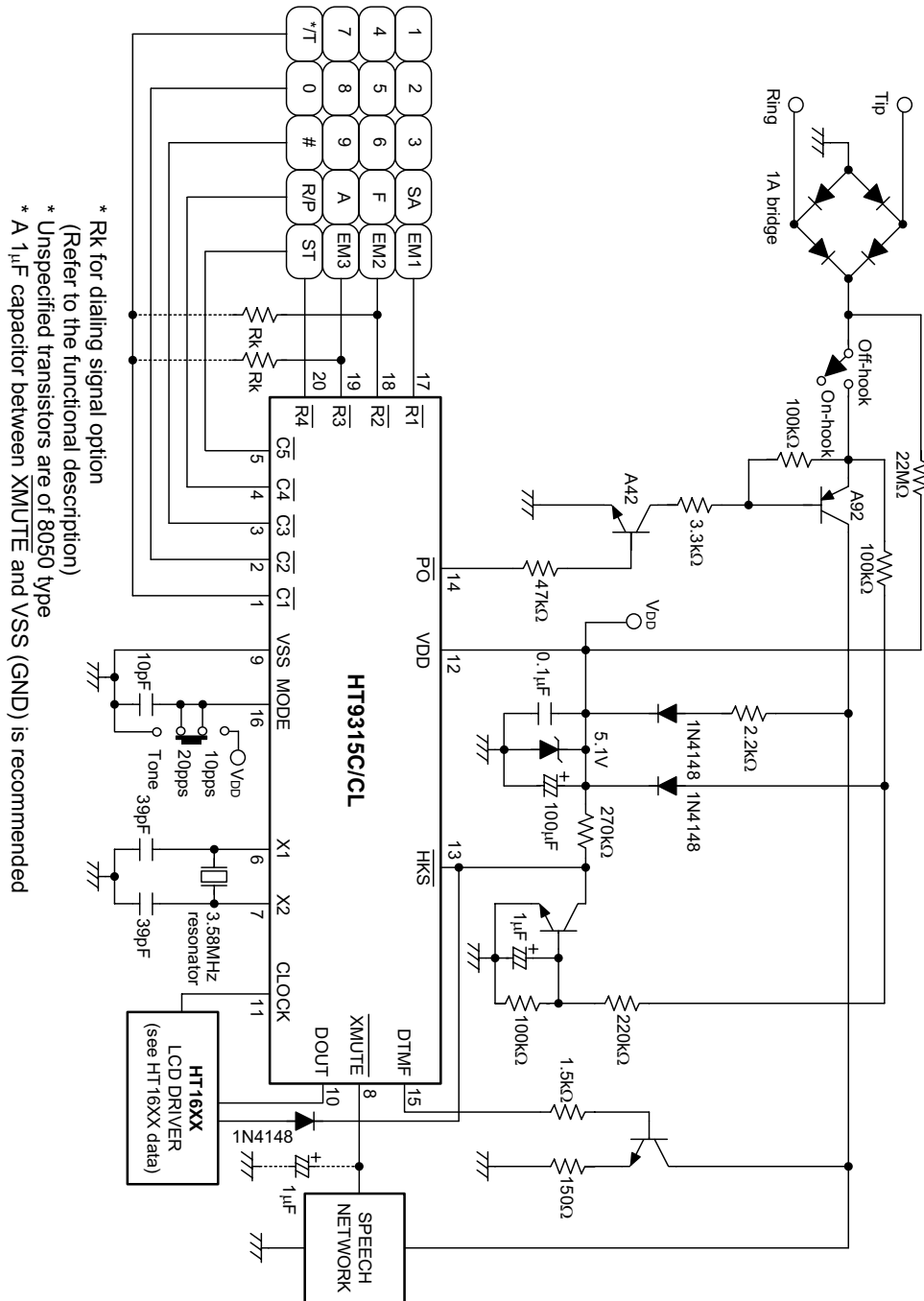
* Rk for dialing signal option

(Refer to the functional description)

* Unspecified transistors are of 8050 type

* A 1 μ F capacitor between XMUTE and VSS (GND) is recommended

Application circuit 3

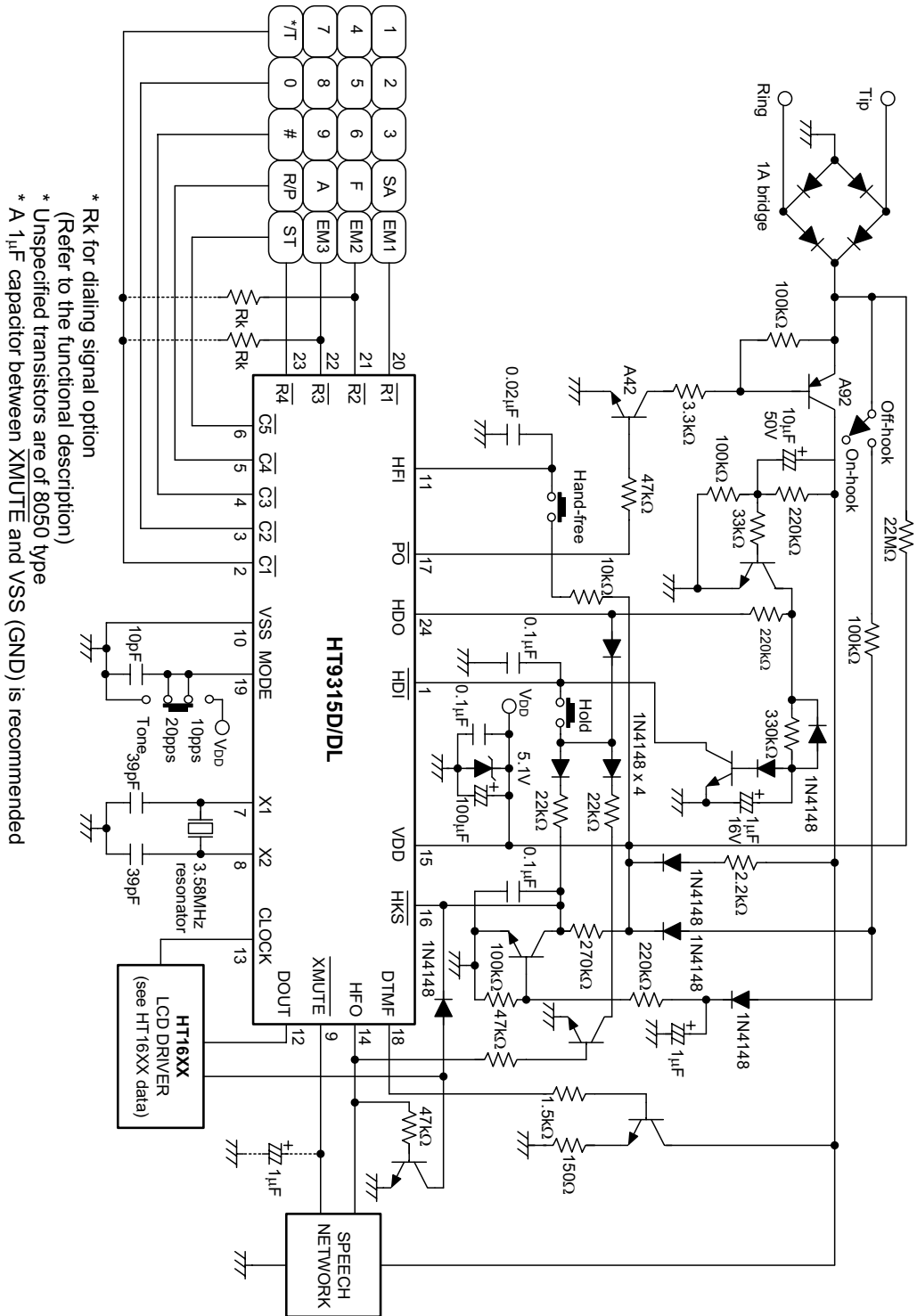


* R_k for dialing signal option
(Refer to the functional description)

* Unspecified transistors are of 8050 type

* A 1 μ F capacitor between XMUTE and VSS (GND) is recommended

Application circuit 4



* Rk for dialing signal option

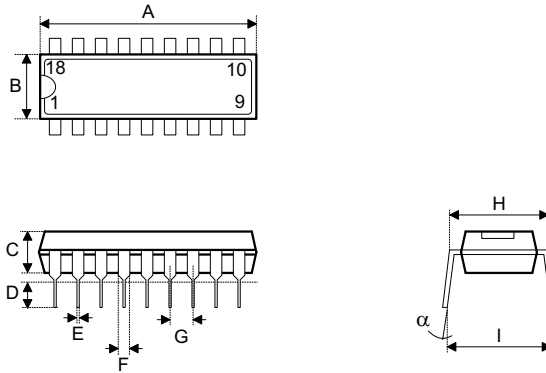
(Refer to the functional description)

* Unspecified transistors are of 8050 type

* A 1µF capacitor between XMUTE and VSS (GND) is recommended

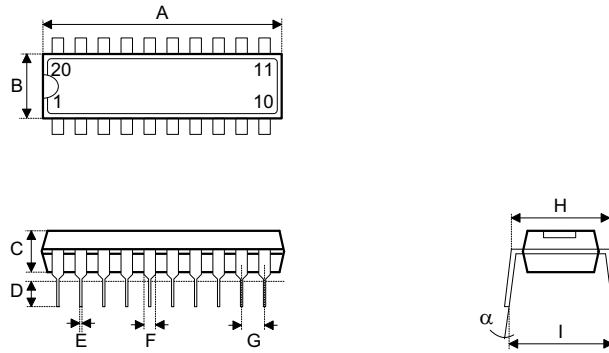
Package Information

18-pin DIP (300mil) outline dimensions



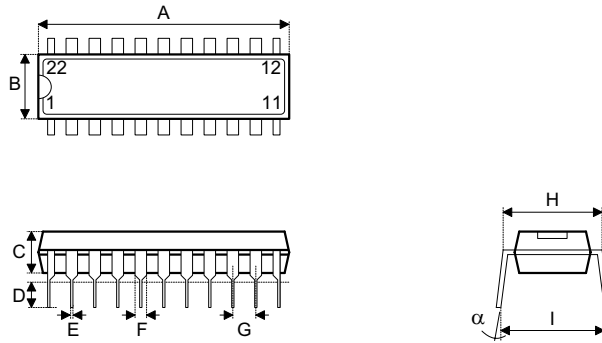
Symbol	Dimensions in mil		
	Min.	Nom.	Max.
A	895	—	915
B	240	—	260
C	125	—	135
D	125	—	145
E	16	—	20
F	50	—	70
G	—	100	—
H	295	—	315
I	335	—	375
α	0°	—	15°

20-pin DIP (300mil) outline dimensions



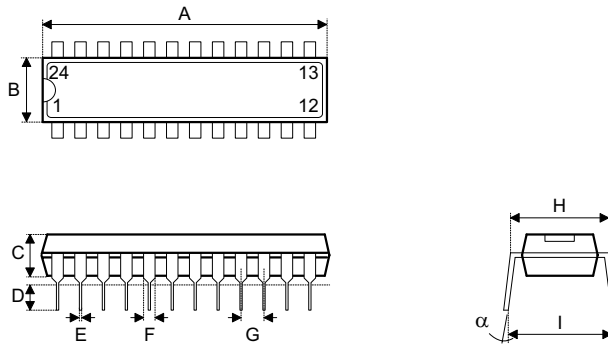
Symbol	Dimensions in mil		
	Min.	Nom.	Max.
A	1020	—	1045
B	240	—	260
C	125	—	135
D	125	—	145
E	16	—	20
F	50	—	70
G	—	100	—
H	295	—	315
I	335	—	375
α	0°	—	15°

22-pin SKDIP (300mil) outline dimensions



Symbol	Dimensions in mil		
	Min.	Nom.	Max.
A	1085	—	1105
B	253	—	263
C	125	—	135
D	125	—	145
E	16	—	20
F	50	—	70
G	—	100	—
H	295	—	315
I	330	—	375
α	0°	—	15°

24-pin SKDIP (300mil) outline dimensions



Symbol	Dimensions in mil		
	Min.	Nom.	Max.
A	1235	—	1265
B	255	—	265
C	125	—	135
D	125	—	145
E	16	—	20
F	50	—	70
G	—	100	—
H	295	—	315
I	345	—	360
α	0°	—	15°

Holtek Semiconductor Inc. (Headquarters)

No.3, Creation Rd. II, Science Park, Hsinchu, Taiwan
Tel: 886-3-563-1999
Fax: 886-3-563-1189
<http://www.holtek.com.tw>

Holtek Semiconductor Inc. (Taipei Sales Office)

4F-2, No. 3-2, YuanQu St., Nankang Software Park, Taipei 115, Taiwan
Tel: 886-2-2655-7070
Fax: 886-2-2655-7373
Fax: 886-2-2655-7383 (International sales hotline)

Holtek Semiconductor Inc. (Shanghai Sales Office)

7th Floor, Building 2, No.889, Yi Shan Rd., Shanghai, China 200233
Tel: 021-6485-5560
Fax: 021-6485-0313
<http://www.holtek.com.cn>

Holtek Semiconductor Inc. (Shenzhen Sales Office)

43F, SEG Plaza, Shen Nan Zhong Road, Shenzhen, China 518031
Tel: 0755-8346-5589
Fax: 0755-8346-5590
ISDN: 0755-8346-5591

Holtek Semiconductor Inc. (Beijing Sales Office)

Suite 1721, Jinyu Tower, A129 West Xuan Wu Men Street, Xicheng District, Beijing, China 100031
Tel: 010-6641-0030, 6641-7751, 6641-7752
Fax: 010-6641-0125

Holmate Semiconductor, Inc. (North America Sales Office)

46712 Fremont Blvd., Fremont, CA 94538
Tel: 510-252-9880
Fax: 510-252-9885
<http://www.holmate.com>

Copyright © 2002 by HOLTEK SEMICONDUCTOR INC.

The information appearing in this Data Sheet is believed to be accurate at the time of publication. However, Holtek assumes no responsibility arising from the use of the specifications described. The applications mentioned herein are used solely for the purpose of illustration and Holtek makes no warranty or representation that such applications will be suitable without further modification, nor recommends the use of its products for application that may present a risk to human life due to malfunction or otherwise. Holtek's products are not authorized for use as critical components in life support devices or systems. Holtek reserves the right to alter its products without prior notification. For the most up-to-date information, please visit our web site at <http://www.holtek.com.tw>.