

### Features

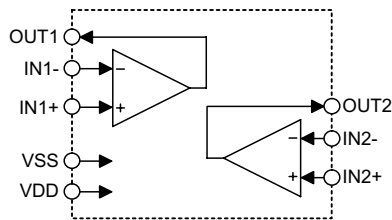
- Single power supply voltage: 5V
- Low power consumption
- Low distortion
- Low clock Jitter sensitivity
- High SNR ratio range
- Wide temperature range
- 8-pin SOP package

### General Description

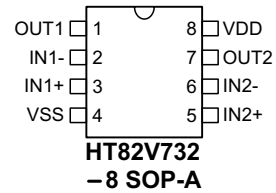
HT82V732 is a class AB stereo earphone driver designed for portable digital audio application. It provides 8-SOP package. Pin assignments and application circuit is compatible with TDA1308 which is suitable for ef-

fective low cost applications. HT82V732 is ideal for portable digital audio equipment, CD ROM/DVD ROM and DISCMAN system.

### Block Diagram



### Pin Assignment



### Pin Description

Pin No.	Pin Name	I/O	Description
1	OUT1	O	Output
2	IN1-	I	Inverting input
3	IN1+	I	Non-inverting input
4	VSS	—	Negative power supply, ground
5	IN2+	I	Non-inverting input
6	IN2-	I	Inverting input
7	OUT2	O	Output
8	VDD	—	Positive power supply

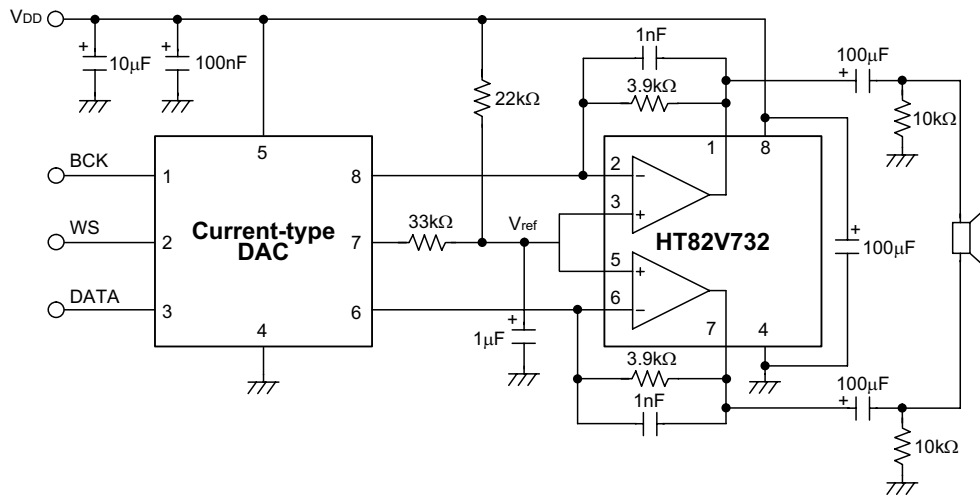
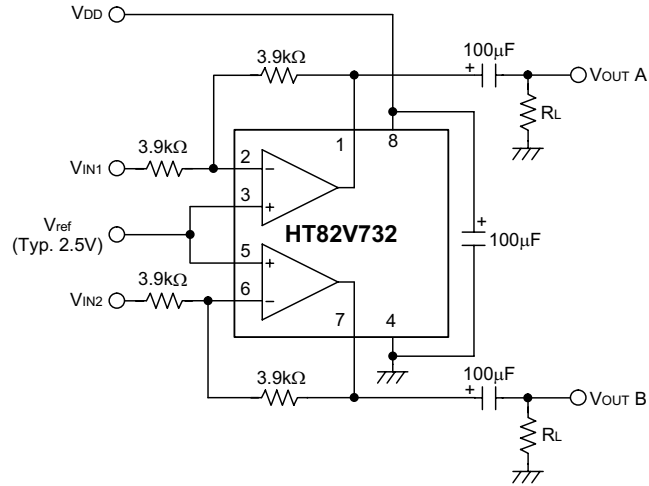
**Electrical Characteristics**
 $V_{SS}=0V$ ;  $f_i=1kHz$ ;  $R_L=32\Omega$ 

Symbol	Parameter	Test Conditions		Min.	Typ.	Max.	Unit	
		$V_{DD}$	Conditions					
<b>Supplies</b>								
$V_{DD}$	Supply Voltage	5V	—	—	—	—	V	
	Single			3.0	5.0	6.0		
	Dual			1.5	2.5	3		
$V_{SS}$	Negative Supply Voltage	5V	—	-1.5	-2.5	-3	V	
$I_{DD}$	Supply Current	5V	No load	—	3	5	mA	
$P_{tot}$	Total Power Dissipation	5V	No load	—	15	25	mW	
<b>DC Characteristics</b>								
$V_{I(OS)}$	Input Offset Voltage	5V	—	—	10	—	mV	
$I_{bias}$	Input Bias Current	5V	—	—	10	—	pA	
$V_{CM}$	Common Mode Voltage	5V	—	0	—	3.5	V	
$G_V$	Open-loop Voltage Gain	5V	$R_L=5k\Omega$	—	70	—	dB	
$I_O$	Maximum Output Current	5V	$(THD+N)/S < 0.1\%$	—	60	—	mA	
$R_O$	Output Resistance	5V	—	—	0.25	—	$\Omega$	
$V_O$	Output Voltage swing	5V	—	$R_L=32\Omega$ *	0.75	—	4.25	V
				$R_L=16\Omega$ *	1.5	—	3.5	
				$R_L=5k\Omega$ *	0.1	—	4.9	
PSRR	Power Supply Rejection Ratio	5V	$F_i=100Hz$ ; $V_{ripple(p-p)}=100mV$	—	90	—	dB	
$\alpha_{CS}$	Channel Separation	5V	—	—	70	—	dB	
$C_L$	Load Capacitance	5V	—	—	—	200	pF	
<b>AC Characteristics</b>								
$(THD+N)/S$	Total Harmonic Distortion Plus Noise-to-signal Ratio	5V	$V_{O(P-P)}=3.5V$ **	—	-70	—	dB	
				—	0.03	—	%	
S/N	Signal-to-noise Ratio	5V	—	—	100	—	dB	
$f_G$	Unity Gain Frequency	5V	Open-loop; $R_L=5k\Omega$	—	5.5	—	MHz	
$P_O$	Maximum Output Power	5V	$(THD+N)/S < 0.1\%$	—	60	—	mW	
$C_i$	Input Capacitance	5V	—	—	3	—	pF	
SR	Slew Rate	5V	Unity gain inverting	—	5	—	V/ $\mu s$	
B	Power Bandwidth	5V	Unity gain inverting	—	20	—	kHz	

Note: \*\*\* Values are proportional to  $V_{DD}$ ;  $(THD+N)/S < 0.1\%$

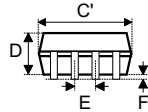
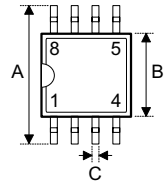
\*\*\*\*  $V_{DD}=5V$ ,  $V_{O(P-P)}=3.5V$  (at odB)

Application Circuits



**Package Information**

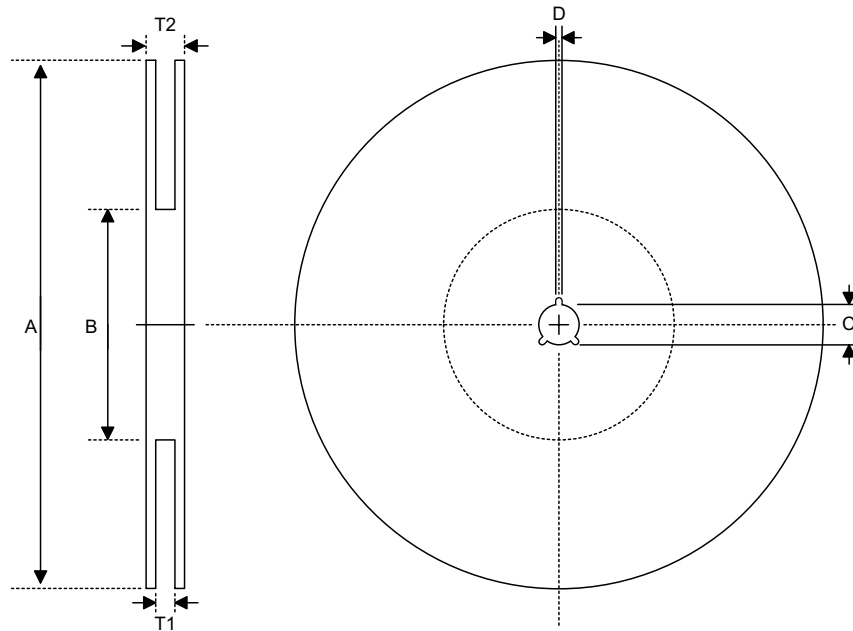
8-pin SOP (150mil) outline dimensions



Symbol	Dimensions in mil		
	Min.	Nom.	Max.
A	228	—	244
B	149	—	157
C	14	—	20
C'	189	—	197
D	53	—	69
E	—	50	—
F	4	—	10
G	22	—	28
H	4	—	12
$\alpha$	0°	—	10°

**Product Tape and Reel Specifications**

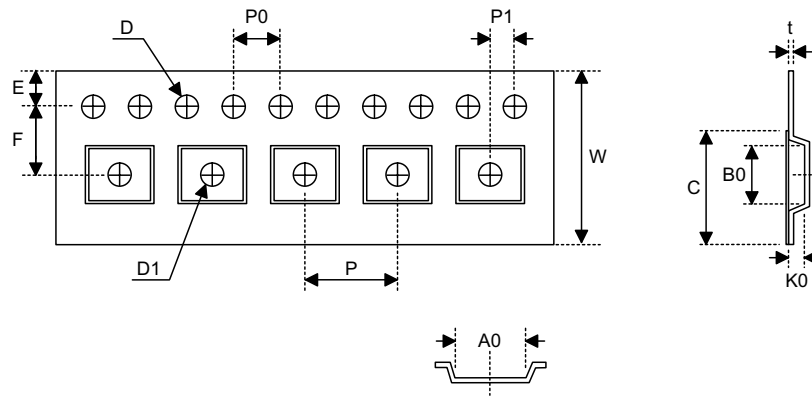
**Reel dimensions**



SOP 8N

Symbol	Description	Dimensions in mm
A	Reel Outer Diameter	330±1.0
B	Reel Inner Diameter	62±1.5
C	Spindle Hole Diameter	13.0+0.5 -0.2
D	Key Slit Width	2.0±0.15
T1	Space Between Flange	12.8+0.3 -0.2
T2	Reel Thickness	18.2±0.2

**Carrier tape dimensions**



**SOP 8N**

Symbol	Description	Dimensions in mm
W	Carrier Tape Width	12.0+0.3 -0.1
P	Cavity Pitch	8.0±0.1
E	Perforation Position	1.75±0.1
F	Cavity to Perforation (Width Direction)	5.5±0.1
D	Perforation Diameter	1.55±0.1
D1	Cavity Hole Diameter	1.5+0.25
P0	Perforation Pitch	4.0±0.1
P1	Cavity to Perforation (Length Direction)	2.0±0.1
A0	Cavity Length	6.4±0.1
B0	Cavity Width	5.20±0.1
K0	Cavity Depth	2.1±0.1
t	Carrier Tape Thickness	0.3±0.05
C	Cover Tape Width	9.3

**Holtek Semiconductor Inc. (Headquarters)**

No.3, Creation Rd. II, Science Park, Hsinchu, Taiwan  
Tel: 886-3-563-1999  
Fax: 886-3-563-1189  
<http://www.holtek.com.tw>

**Holtek Semiconductor Inc. (Taipei Sales Office)**

4F-2, No. 3-2, YuanQu St., Nankang Software Park, Taipei 115, Taiwan  
Tel: 886-2-2655-7070  
Fax: 886-2-2655-7373  
Fax: 886-2-2655-7383 (International sales hotline)

**Holtek Semiconductor Inc. (Shanghai Sales Office)**

7th Floor, Building 2, No.889, Yi Shan Rd., Shanghai, China 200233  
Tel: 021-6485-5560  
Fax: 021-6485-0313  
<http://www.holtek.com.cn>

**Holtek Semiconductor Inc. (Shenzhen Sales Office)**

43F, SEG Plaza, Shen Nan Zhong Road, Shenzhen, China 518031  
Tel: 0755-8346-5589  
Fax: 0755-8346-5590  
ISDN: 0755-8346-5591

**Holtek Semiconductor Inc. (Beijing Sales Office)**

Suite 1721, Jinyu Tower, A129 West Xuan Wu Men Street, Xicheng District, Beijing, China 100031  
Tel: 010-6641-0030, 6641-7751, 6641-7752  
Fax: 010-6641-0125

**Holmate Semiconductor, Inc. (North America Sales Office)**

46712 Fremont Blvd., Fremont, CA 94538  
Tel: 510-252-9880  
Fax: 510-252-9885  
<http://www.holmate.com>

Copyright © 2002 by HOLTEK SEMICONDUCTOR INC.

The information appearing in this Data Sheet is believed to be accurate at the time of publication. However, Holtek assumes no responsibility arising from the use of the specifications described. The applications mentioned herein are used solely for the purpose of illustration and Holtek makes no warranty or representation that such applications will be suitable without further modification, nor recommends the use of its products for application that may present a risk to human life due to malfunction or otherwise. Holtek's products are not authorized for use as critical components in life support devices or systems. Holtek reserves the right to alter its products without prior notification. For the most up-to-date information, please visit our web site at <http://www.holtek.com.tw>.