
HA16666P/FP

600kHz PWM Controlled Switching Regulator

HITACHI

Description

The HA16666P/FP is a voltage mode PWM (pulse width modulation) control IC for switching regulator control. It can drive a power MOS FET efficiently on 600 kHz. Its standby current is 0.3 mA (max), and it is used as the primary control power supply.

Functions

- +5 V reference voltage circuit
- Triangular waveform oscillator
- PWM comparator
- Output circuit (Totem pole output)
- Overcurrent protection circuit (with one-pulse latch mode)
- Undervoltage lockout protection circuit
- Soft start and quick shutdown function
- Remote control function
- Comparator with internal 1.3 V reference voltage

Features

- High-speed switching;
tr = 80 ns (15 V amplitude)
tf = 40 ns (15 V amplitude)
- Low power dissipation;
0.3 mA max in standby state
12 mA max in operation state ($V_{IN} = 15$ V)
- Dual-slope highly accurate dead-band duty setup circuit; Setup accuracy $D_u = \pm 3\%$ (max)
- Wide output pulse width control range; 0 to 75%

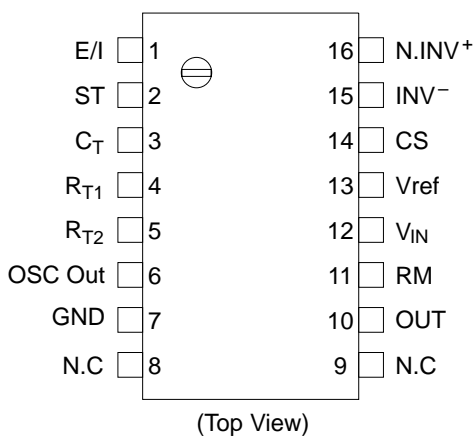
HA16666P/FP

- Undervoltage lockout protection;
 V_{IN} high threshold voltage 10 V typ
 V_{IN} low threshold voltage 8 V typ
- Two input threshold voltage for overcurrent protection comparator;
 fixed voltage (1.3 V)
 variable voltage
- Double pulse output protection by overcurrent protection circuit with one-pulse latch mode
- Wide input supply voltage range; $V_{CC} = 11$ to 40 V

Ordering Information

Type	Package
HA16666P	DP-16
HA16666FP	FP-16DA

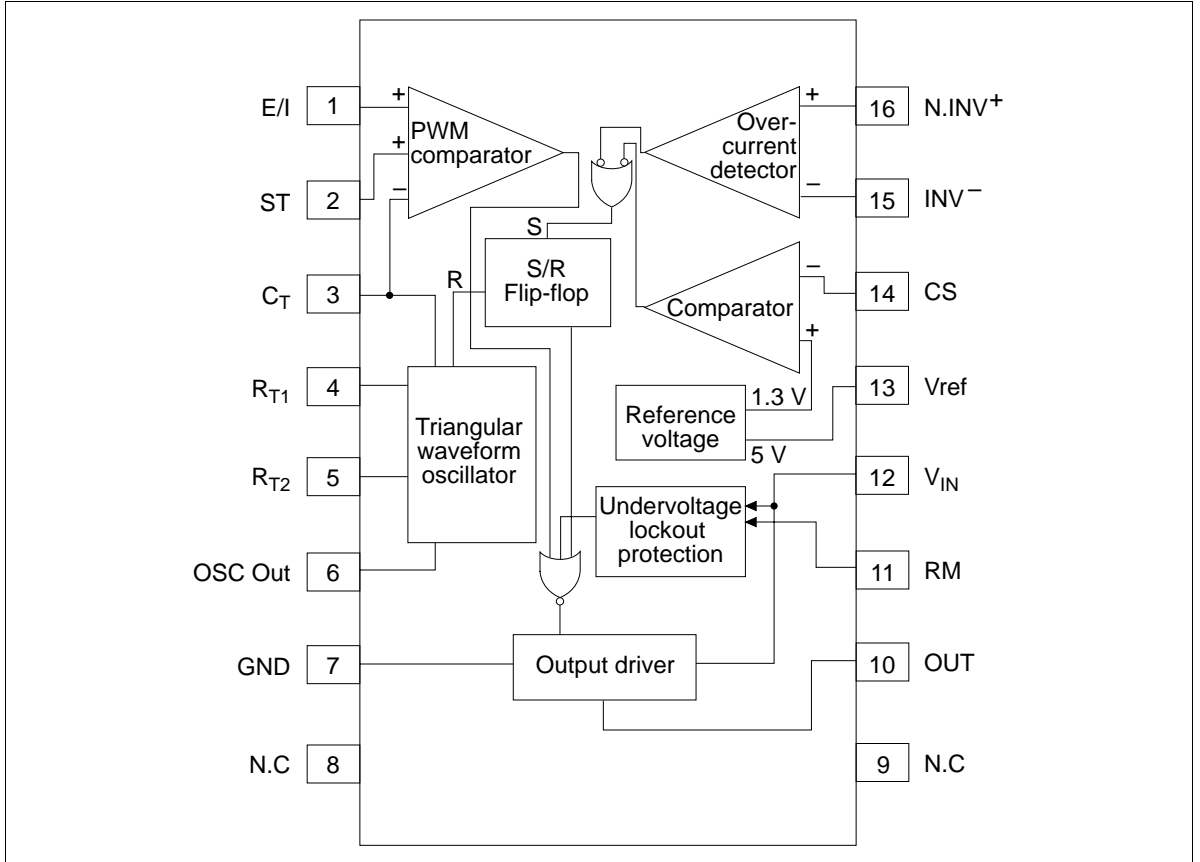
Pin Arrangement



Pin Functions

Pin No.	Symbol	Description
1	E/I	Error input
2	ST	Soft start
3	C _T	Timing capacitance
4	R _{T1}	Timing resistor (rise section)
5	R _{T2}	Timing resistor (fall section)
6	OSC Out	Triangular waveform oscillator
7	GND	Ground
8	N.C	No connect
9	N.C	No connect
10	OUT	Pulse output
11	RM	Remote control
12	V _{IN}	Power supply voltage
13	Vref	Reference voltage (5 V) output
14	CS	Comparator input (-) with reference voltage (1.3 V)
15	INV ⁻	Comparator input (-) for overcurrent protection
16	N.INV ⁺	Comparator input (+) for overcurrent protection

Block Diagram



Absolute Maximum Ratings (Ta = 25°C)

Item	Symbol	Rating		Unit	
		HA16666P	HA16666FP		
Power supply voltage	V _{IN}	+40	+40	V	
Output current (Push-pull)	DC	I _{O(DC)}	100	100	mA
	Peak	I _{O(peak)}	500*1	500*1	mA
Error input	V _{EI}	V _{ref}	V _{ref}	V	
OSC input voltage	V _{OSC}	V _{IN} - 3V _{BE}	V _{IN} - 3V _{BE}	V	
CS input voltage	V _{CS}	V _{ref}	V _{ref}	V	
RM input voltage	V _{RM}	V _{IN}	V _{IN}	V	
RT2 input current	I _{R2}	1	1	mA	
RT1 input current	I _{R1}	1	1	mA	
Power dissipation	P _T	680*2	680*3	mW	
Operation temperature	T _{opr}	-20 to +85	-20 to +85	°C	
Storage temperature	T _{stg}	-55 to +125	-55 to +125	°C	

Notes: 1. Value at 300 ns of switching time

2. Value at Ta ≤ 45°C. If Ta > 45°C, derated by 8.3 mW/°C

3. Value under the condition of 40 mm × 40 mm × 0.8 t ceramics board epoxy board

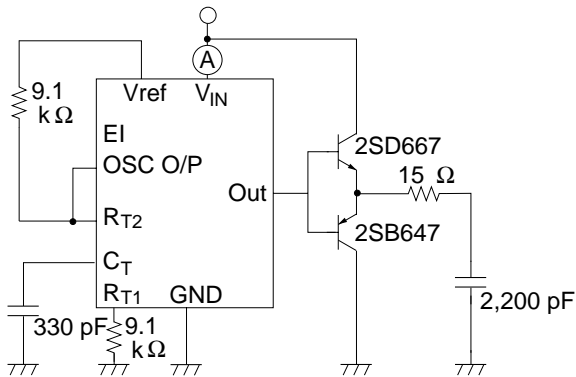
Electrical Characteristics (V_{IN} = 15 V, Ta = 25°C, fosc = 300 kHz)

Item	Symbol	Min	Typ	Max	Unit	Test Condition	
Voltage reference	Output voltage	V _{ref}	4.75	5.00	5.25	V	no load
	Line regulation	Line	—	50	100	mV	V _{IN} = 11 to 40 V
	Load regulation	Load	—	9	20	mV	I _O = 0 to 10 mA
	Temperature stability	V _{RTC}	—	+60	—	ppm/°C	no load
	Short circuit current	I _{OS}	10	35	—	mA	V _{ref} = 0 V
Triangular waveform oscillator	Maximum frequency	f _{max}	600	—	—	kHz	C _T = 150 pF
	Minimum frequency	f _{min}	—	—	1	kHz	C _T = 0.15 μF
	Frequency accuracy	f _{der}	-10	0	+10	%	
	Voltage stability	f _T	—	1	—	%	11 V ≤ V _{IN} ≤ 40 V
	Temperature coefficient of frequency	f _i	—	2	—	%	-20°C ≤ Ta ≤ +85°C

Electrical Characteristics ($V_{IN} = 15\text{ V}$, $T_a = 25^\circ\text{C}$, $f_{osc} = 300\text{ kHz}$) (cont)

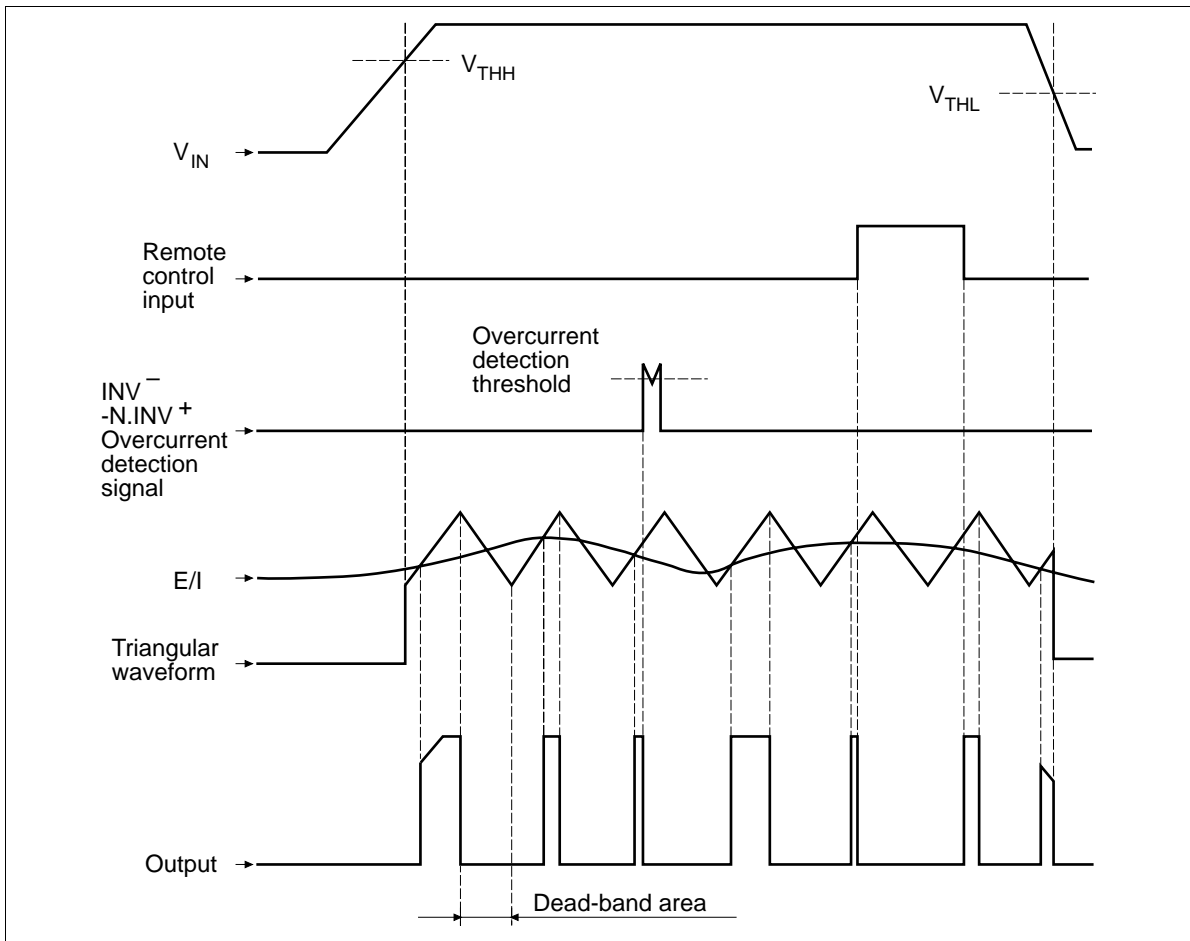
Item		Symbol	Min	Typ	Max	Unit	Test Condition
PWM comparator	Maximum duty cycle	Du	75	—	—	%	
	Input bias current	I_b	-2	—	—	μA	Pin 1
	Low-level threshold voltage	V_{OSCL}	—	1.5	—	V	Pin 1
	High-level threshold voltage	V_{OSCH}	—	2.5	—	V	Pin 1
	Dead-band duty accuracy	ΔDu	—	± 1	± 3	%	
	Dead-band duty input voltage stability	D_T	—	1	—	%	$11\text{ V} \leq V_{IN} \leq 40\text{ V}$
	Temperature coefficient of dead-band duty	D_{UT}	—	1	—	%	$-20^\circ\text{C} \leq T_a \leq +85^\circ\text{C}$
Overcurrent detector	Input bias current	I_{B1}	-2	—	—	μA	Pin 15, 16
	Common-mode input voltage range	V_{CM1}	0 to $V_{IN} - 3$	—	—	V	Pin 15, 16
Comparator	Input bias current	I_{B2}	—	5	13	μA	$V_{CS} = 5\text{ V}$
	Input threshold voltage	V_{th}	1.2	1.3	1.4	V	
	Input voltage range	V_{CS}	0	—	V_{ref}	V	
Remote controller	Input current to remote control pin	I_{RM}	—	—	1.5	mA	$V_{RM} = 5\text{ V}$
	Input high-voltage	V_{INH}	1	—	—	V	
	Input low-voltage	V_{INL}	—	—	0.4	V	
Undervoltage lockout protector	High-level threshold voltage	V_{THH}	9	10	11	V	
	Low-level threshold voltage	V_{THL}	7	8	9	V	
	Hysteresis width	Hys	1.5	2.0	2.8	V	
Output driver	Output low-level	V_L	—	0.7	1.4	V	$I_{O(SINK)} = 10\text{ mA}$
	Output high-level	V_H	$V_{IN} - 2.2$	—	—	V	$I_{O(SOURCE)} = 10\text{ mA}$
	Output rise time	t_r	—	80	150	ns	Note 1
	Output fall time	t_f	—	40	100	ns	Note 1
Total current	Standby current	I_{CS}	—	0.15	0.3	mA	Note 1
	Operation current	I_{CL}	—	8	12	mA	Note 1

Note: 1. Measurement conditions of I_{CS} , I_{CL} , t_r , t_f are defined as following diagram.

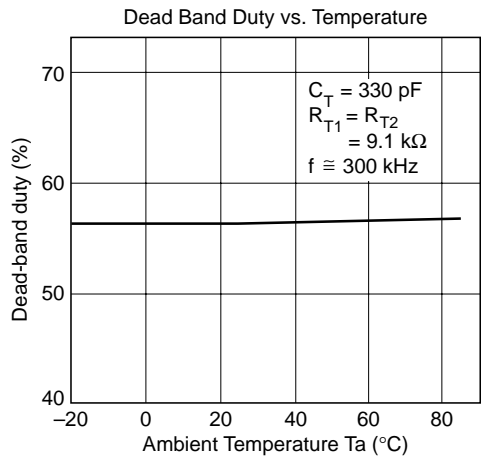
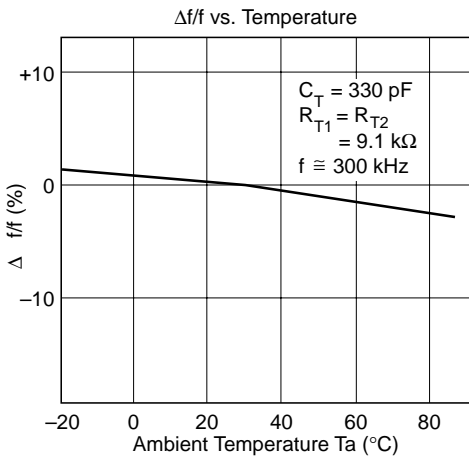
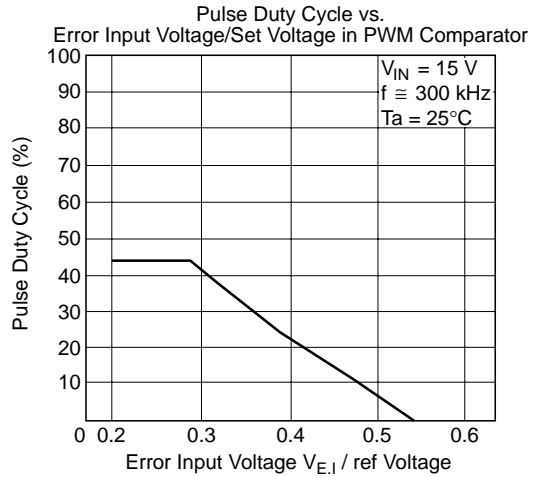
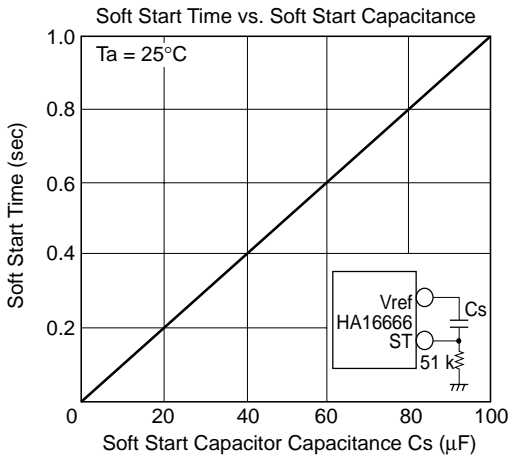
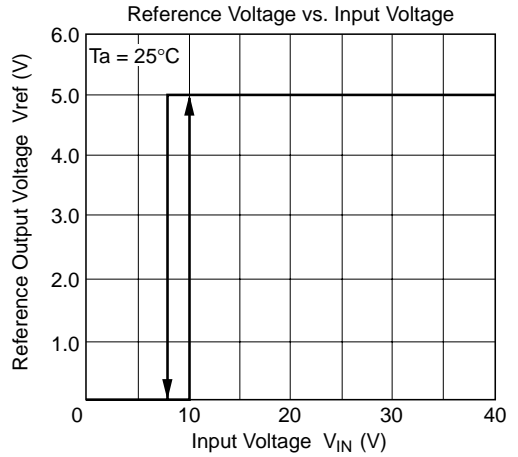
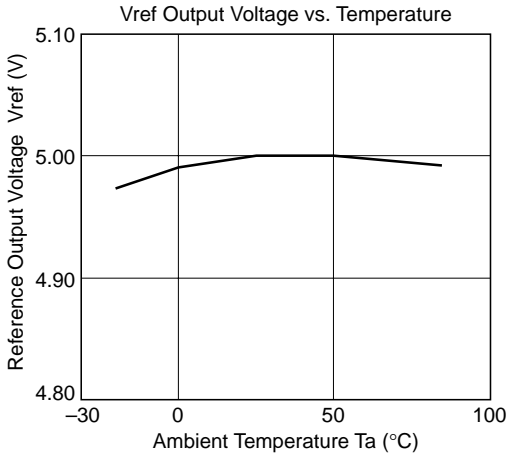


h_{FE} of 2SD667 is defined as 60 min and 200 max.

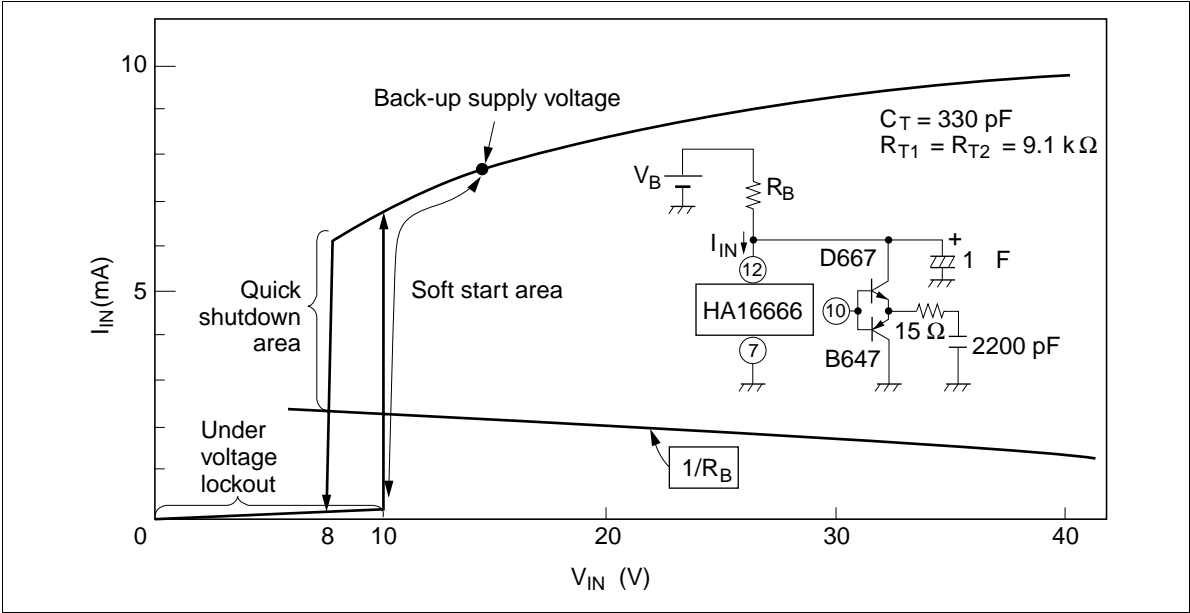
Waveform Timing



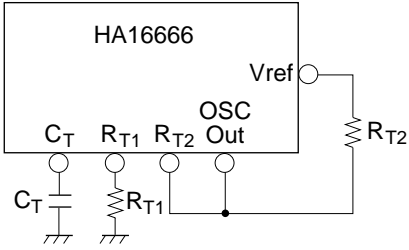
Characteristic Curves



V_{IN} Bias Point



Formula for the oscillation frequency



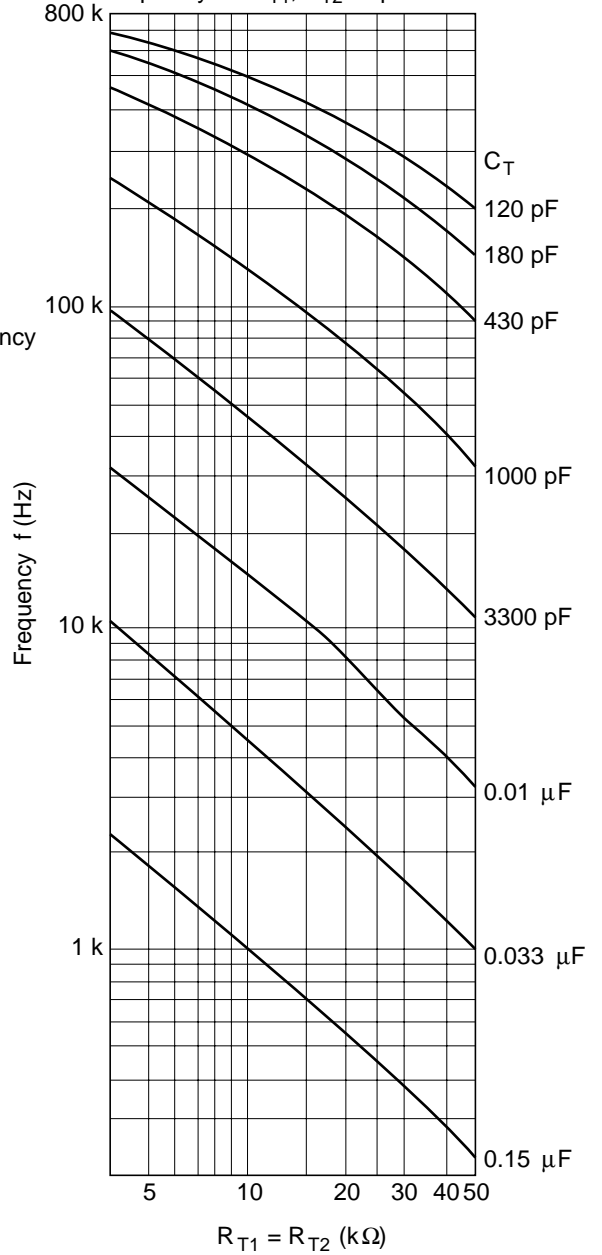
HA16666 summary formula of the oscillation frequency
 $\log(f) \approx a \times \log\left(\frac{R_{T1}}{R_{T2}}\right) + b$

↑
(= R_{T2})

The following table show empirical values of a and b for different values of C_T .

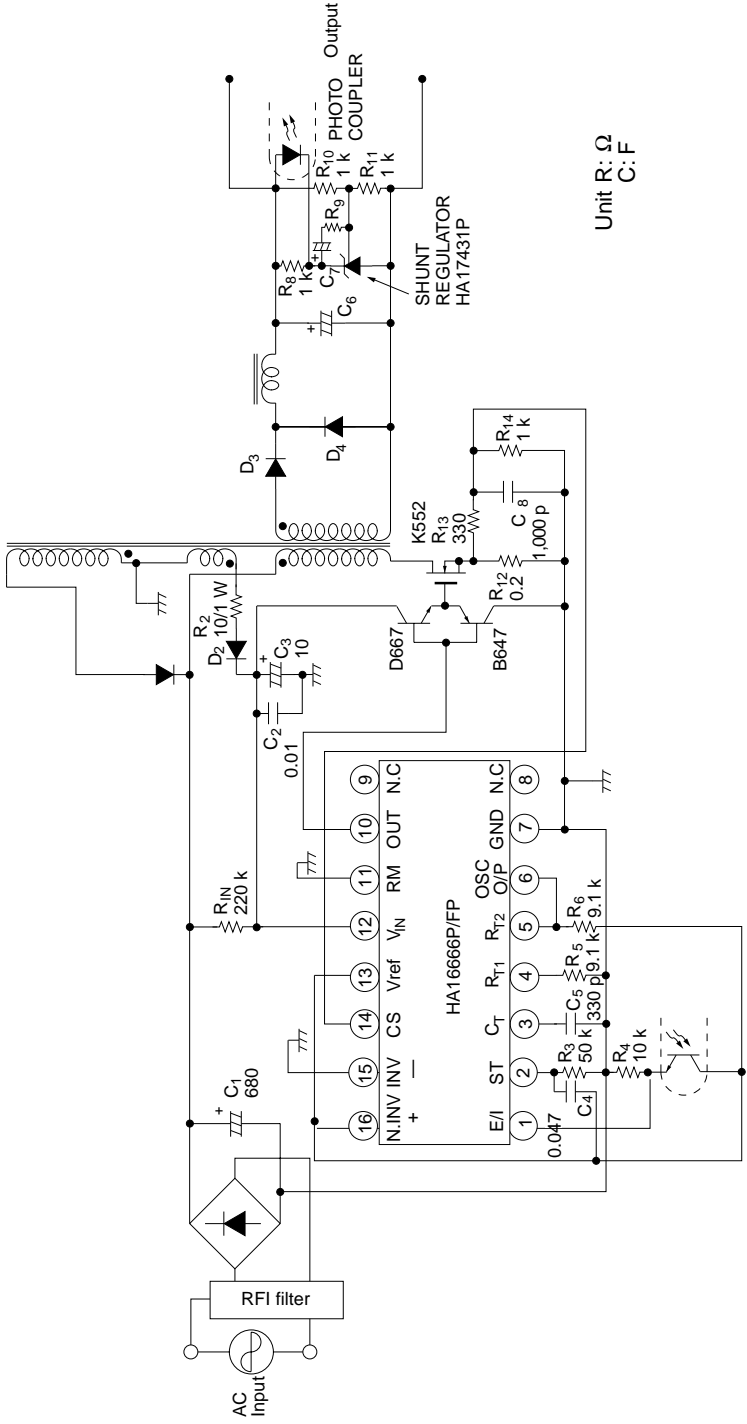
C_T	a	b
180pF	-0.50	7.58
330pF	-0.61	7.86
1000pF	-0.75	8.09
0.01 μ F	-0.86	7.57
0.15 μ F	-0.86	6.45

Frequency vs. R_{T1} , R_{T2} Dependence



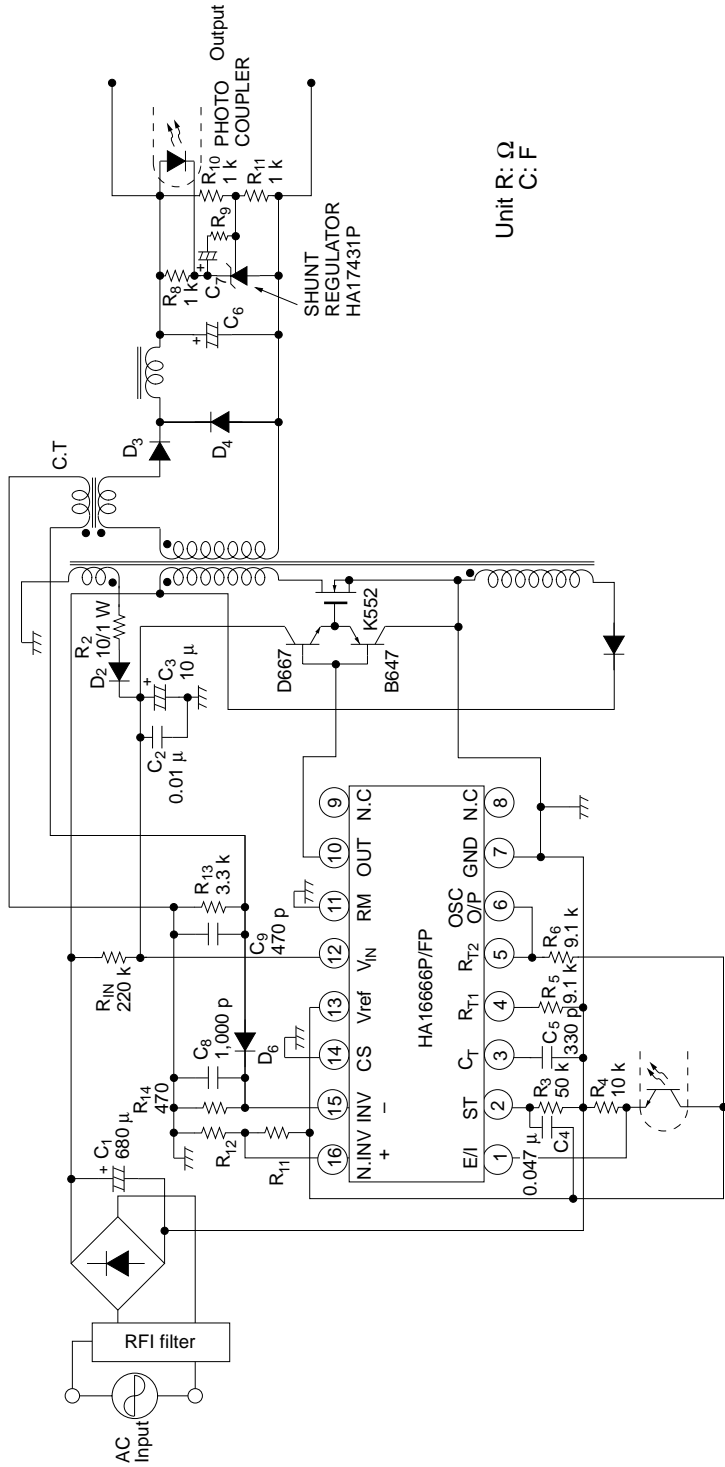
System Connection Example

Over current protection; Resistance sensing method



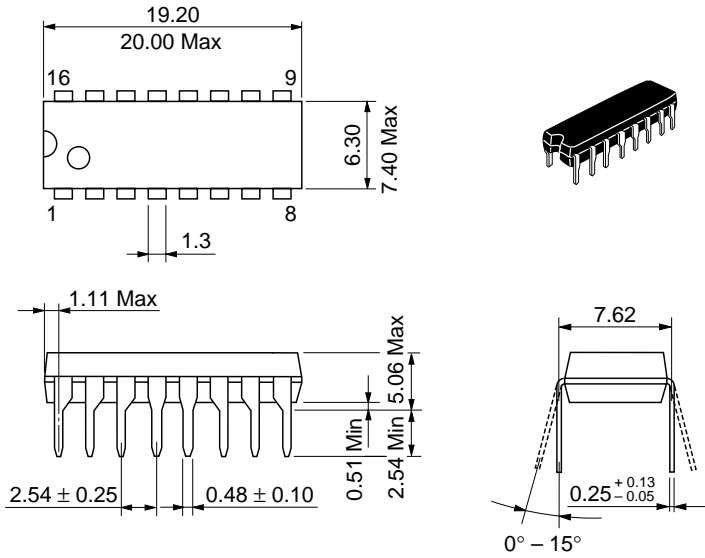
Unit R: Ω
C: F

Over current protection; Current transformer method



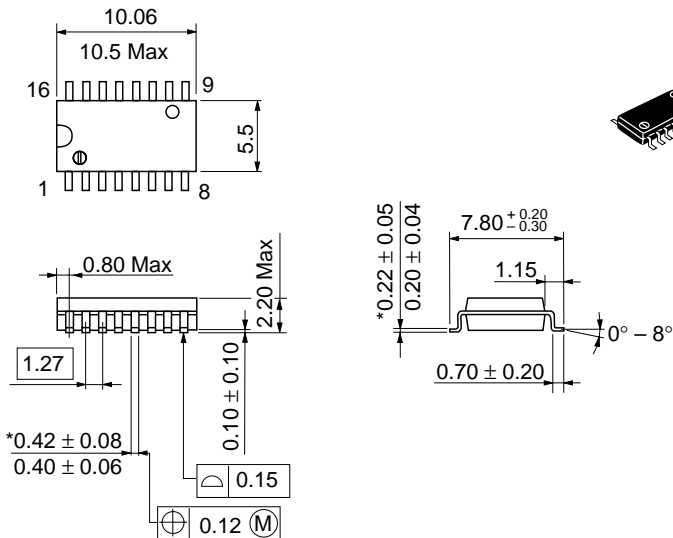
Package Dimensions

Unit: mm



Hitachi Code	DP-16
JEDEC	Conforms
EIAJ	Conforms
Mass (reference value)	1.07 g

Unit: mm



*Dimension including the plating thickness
Base material dimension

Hitachi Code	FP-16DA
JEDEC	—
EIAJ	Conforms
Mass (reference value)	0.24 g

Cautions

1. Hitachi neither warrants nor grants licenses of any rights of Hitachi's or any third party's patent, copyright, trademark, or other intellectual property rights for information contained in this document. Hitachi bears no responsibility for problems that may arise with third party's rights, including intellectual property rights, in connection with use of the information contained in this document.
2. Products and product specifications may be subject to change without notice. Confirm that you have received the latest product standards or specifications before final design, purchase or use.
3. Hitachi makes every attempt to ensure that its products are of high quality and reliability. However, contact Hitachi's sales office before using the product in an application that demands especially high quality and reliability or where its failure or malfunction may directly threaten human life or cause risk of bodily injury, such as aerospace, aeronautics, nuclear power, combustion control, transportation, traffic, safety equipment or medical equipment for life support.
4. Design your application so that the product is used within the ranges guaranteed by Hitachi particularly for maximum rating, operating supply voltage range, heat radiation characteristics, installation conditions and other characteristics. Hitachi bears no responsibility for failure or damage when used beyond the guaranteed ranges. Even within the guaranteed ranges, consider normally foreseeable failure rates or failure modes in semiconductor devices and employ systemic measures such as fail-safes, so that the equipment incorporating Hitachi product does not cause bodily injury, fire or other consequential damage due to operation of the Hitachi product.
5. This product is not designed to be radiation resistant.
6. No one is permitted to reproduce or duplicate, in any form, the whole or part of this document without written approval from Hitachi.
7. Contact Hitachi's sales office for any questions regarding this document or Hitachi semiconductor products.

HITACHI

Hitachi, Ltd.

Semiconductor & Integrated Circuits.

Nippon Bldg., 2-6-2, Ohite-machi, Chiyoda-ku, Tokyo 100-0004, Japan

Tel: Tokyo (03) 3270-2111 Fax: (03) 3270-5109

URL NorthAmerica : <http://semiconductor.hitachi.com/>
 Europe : <http://www.hitachi-eu.com/hel/ecg>
 Asia (Singapore) : <http://www.has.hitachi.com.sg/grp3/sicd/index.htm>
 Asia (Taiwan) : http://www.hitachi.com.tw/E/Product/SICD_Frame.htm
 Asia (HongKong) : <http://www.hitachi.com.hk/eng/bo/grp3/index.htm>
 Japan : <http://www.hitachi.co.jp/Sicd/indx.htm>

For further information write to:

Hitachi Semiconductor
 (America) Inc.
 179 East Tasman Drive,
 San Jose, CA 95134
 Tel: <1> (408) 433-1990
 Fax: <1> (408) 433-0223

Hitachi Europe GmbH
 Electronic components Group
 Dornacher Straße 3
 D-85622 Feldkirchen, Munich
 Germany
 Tel: <49> (89) 9 9180-0
 Fax: <49> (89) 9 29 30 00

Hitachi Europe Ltd.
 Electronic Components Group.
 Whitebrook Park
 Lower Cookham Road
 Maidenhead
 Berkshire SL6 8YA, United Kingdom
 Tel: <44> (1628) 585000
 Fax: <44> (1628) 778322

Hitachi Asia Pte. Ltd.
 16 Collyer Quay #20-00
 Hitachi Tower
 Singapore 049318
 Tel: 535-2100
 Fax: 535-1533

Hitachi Asia Ltd.
 Taipei Branch Office
 3F, Hung Kuo Building, No.167,
 Tun-Hwa North Road, Taipei (105)
 Tel: <886> (2) 2718-3666
 Fax: <886> (2) 2718-8180

Hitachi Asia (Hong Kong) Ltd.
 Group III (Electronic Components)
 7/F., North Tower, World Finance Centre,
 Harbour City, Canton Road, Tsim Sha Tsui,
 Kowloon, Hong Kong
 Tel: <852> (2) 735 9218
 Fax: <852> (2) 730 0281
 Telex: 40815 HITEC HX

Copyright ' Hitachi, Ltd., 1998. All rights reserved. Printed in Japan.

HITACHI