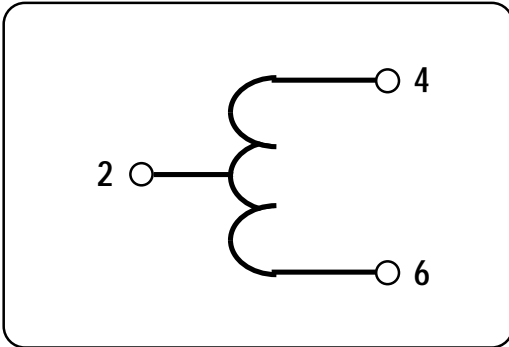


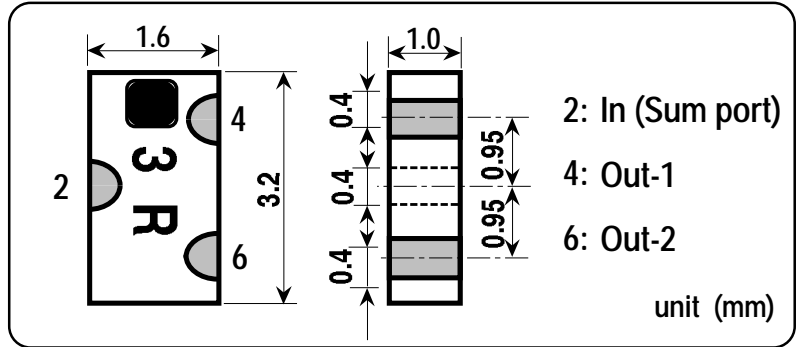
# 1.4 / 1.5 GHz Band Chip 0 deg. Splitter / Combiner

Model No. FSTH-03R-1

## Equivalent Circuits



## Shape & Size

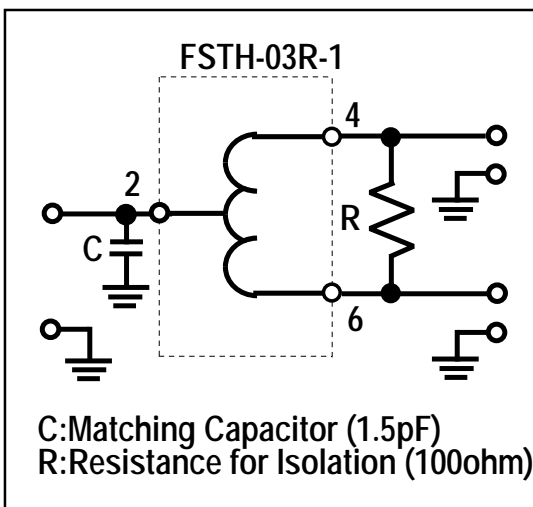


## Specifications

Frequency Range(MHz)	Matching Capacitor	Insertion Loss	Isolation	Return Loss	Handling Power	Temperature Range
1400-1600	1.5pF	1dB Max. (0.2dB Typ.) *1	12dB Min. (20dB Typ.)	9.5dB Min. (17.7dB Typ.)	2W Max.	-35 ~ +85 deg.C

\*1 Not include Splitting Loss (3dB)

## Measurement Circuit



## Typical Data

