



**4Mbyte(1Mx32) Fast Page Mode, 1K Refresh, 72Pin SIMM, 5V
Design Part No. HMD1M32M2GL**

DESCRIPTION

The HMD1M32M2GL is an 1M x 32 bits Dynamic RAM MODULE which is assembled 2 pieces of 1M x 16bit DRAMs in 42 pin SOJ package on single sides the printed circuit board with decoupling capacitors. The HMD1M32M2GL is optimized for application to the systems, which are required high density and large capacity such as main memory of the computers and an image memory systems, and to the others, which are, requested compact size.

The HMD1M32M2GL provides common data and outputs.

Features

w 72 pins Single In-Line Package

w Fast Page Mode Capability

w Single +5V± 0.5V power supply

w Fast Access Time & Cycle Time

	tRAC	tCAC	tRC	tPC
HMD1M32M2G-5	50	15	90	35
HMD1M32M2G-6	60	15	110	40

w Low Power

w /RAS Only Refresh, /CAS before /RAS Refresh,

Hidden Refresh Capability

w All inputs and outputs TTL Compatible

w 1,024 Refresh Cycles/16ms

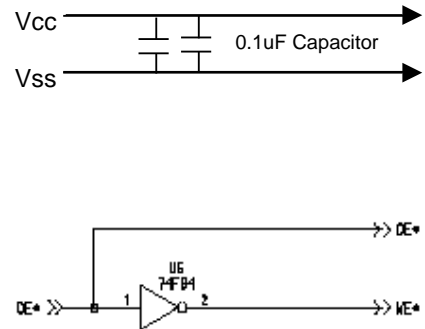
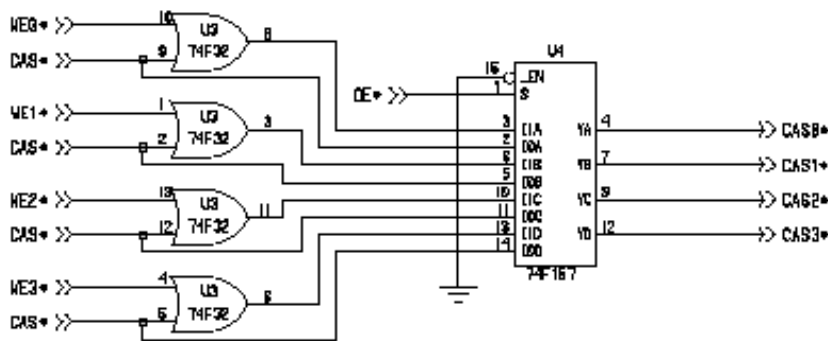
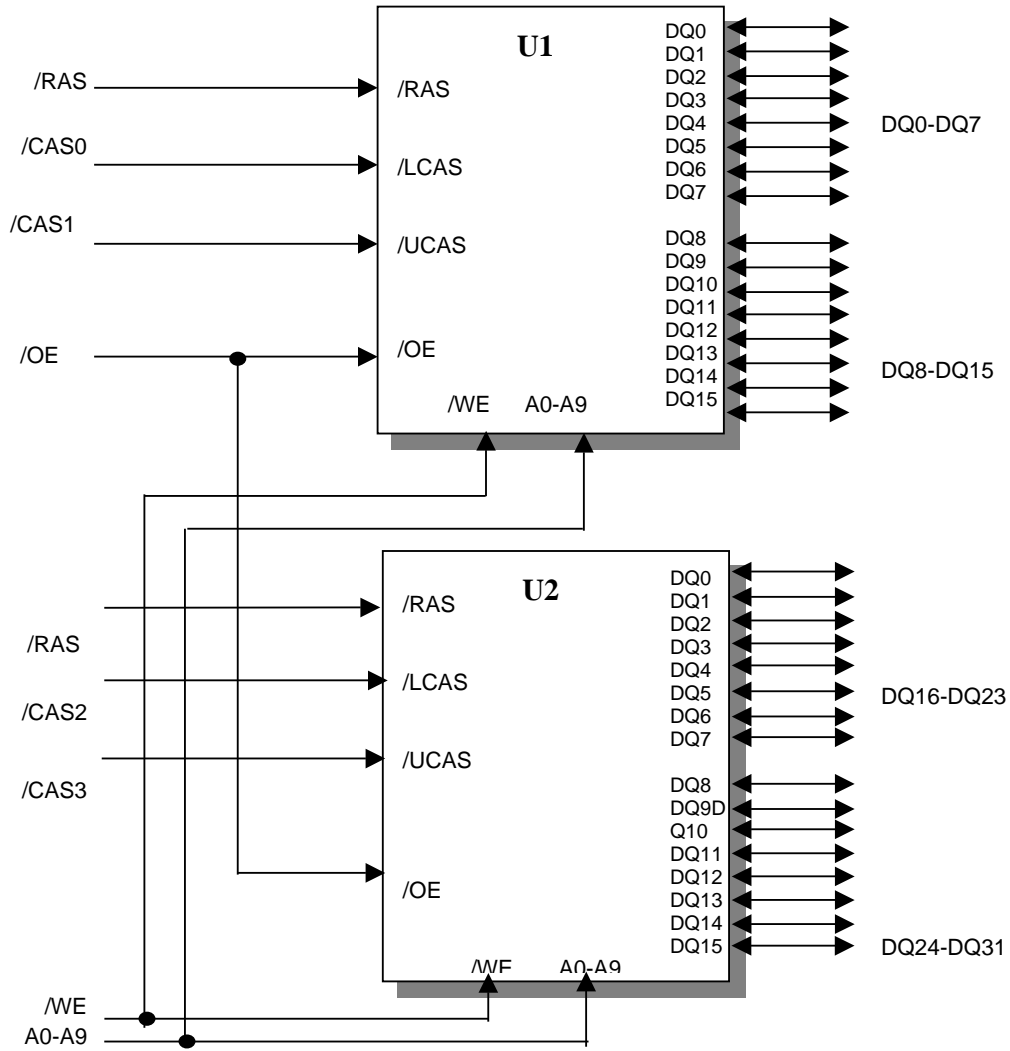
PIN DESCRIPTION

PIN	FUNCTION	PIN	FUNCTION
A0 – A9	Address Inputs	/WE	Read/Write Enable
DQ0 – DQ31	Data Input/Output	Vcc	Power (+5V)
/RAS	Row Address Strobe	Vss	Ground
/CAS	Column Address Strobe	NC	No Connection
/OE	Data Output Enable		

PIN ASSIGNMENT

PIN	SYMBOL	PIN	SYMBOL	PIN	SYMBOL
1	Vss	25	DQ22	49	DQ8
2	DQ0	26	DQ7	50	DQ24
3	DQ16	27	DQ23	51	DQ9
4	DQ1	28	A8	52	DQ25
5	DQ17	29	NC(A10)	53	DQ10
6	DQ2	30	Vcc	54	DQ26
7	DQ18	31	/WE2	55	DQ11
8	DQ3	32	NC	56	DQ27
9	DQ19	33	Vcc	57	DQ12
10	Vcc	34	/RAS	58	DQ28
11	/WEO	35	Vcc	59	/WE3
12	A0	36	NC	60	DQ29
13	A1	37	NC	61	DQ13
14	A2	38	/OE	62	DQ30
15	A3	39	Vss	63	DQ14
16	A4	40	/CAS	64	DQ31
17	A5	41	Vcc	65	DQ15
18	A6	42	NC	66	Vcc
19	A7	43	NC	67	NC
20	DQ4	44	NC	68	NC
21	DQ20	45	A9	69	Vss
22	DQ5	46	NC(A11)	70	NC
23	DQ21	47	/WE1	71	Vss
24	DQ6	48	Vcc	72	Vss

FUNCTIONAL BLOCK DIAGRAM



ABSOLUTE MAXIMUM RATINGS*

SYMBOL	PARAMETER	RATING	UNIT
TA	Ambient Temperature under Bias	0 ~ 70	C
TSTG	Storage Temperature (Plastic)	-55 ~ 150	C
VIN/VOUT	Voltage on any Pin Relative to Vss	-1.0 ~ 7.0	V
VCC	Power Supply Voltage	-1.0 ~ 7.0	V
IOUT	Short Circuit Output Current	100	mA
PD	Power Dissipation	2	W

*NOTE: 1. Stress greater than above absolute Maximum Ratings? May cause permanent damage to the device.

RECOMMENDED DC OPERATING CONDITIONS ($T_A = 0 \sim 70C$)

PARAMETER	SYMBOL	MIN	TYP.	MAX	UNIT
Supply Voltage	Vcc	4.5	5.0	5.5	V
Ground	Vss	0	0	0	V
Input High Voltage	V _{IH}	2.4	-	Vcc+1	V
Input Low Voltage	V _{IL}	-1.0	-	0.8	V

*NOTE: All voltages referenced to Vcc

DC AND OPERATING CHARACTERISTICS

SYMBOL	PARAMETER	MIN	MAX	UNIT
VOH	Output High Level Voltage (IOUT = -5mA)	2.4		V
VOL	Output Low Level Voltage (IOUT = 4.2mA)	0	0.4	V
ICC1	Operating Current (/RAS,/CAS,Address Cycling : tRC = tRC min)	-5	280	mA
		-6	260	
ICC2	Standby Current (/RAS,/CAS = V _{IH})	-	4	mA
ICC3	/RAS Only Refresh Current (/RAS Cycling, /CAS = V _{IH} ; tRC = tRC min)	-5	280	mA
		-6	260	
ICC4	Fast Page Mode Current (/RAS = V _{IL} , /CAS, Address Cycling : tPC = tPC min)	-5	180	mA
		-6	160	
ICC5	Standby Current (/RAS,/CAS >= Vcc -0.2V)		2	mA
ICC6	/CAS before /RAS Refresh Current (tRC = tRC min)	-5	280	mA
		-6	260	
ICCS	Self Refresh Current (/RAS=/UCAS=/LCAS=V _{IL} , /WE=/OE=A0~A9= Vcc -0.2V or 0.2V, DQ0~DQ31= Vcc -0.2V, 0.2V or Open)	-	400	uA
I _{I(L)}	Input Leakage Current (Any Input (0V <= V _{IN} <= V _{IN} + 0.5V, All Other Pins Not Under Test = 0V))	-10	10	uA
I _{O(L)}	Output Leakage Current(DOOUT is Disabled, 0V <= V _{OUT} <= Vcc)	-10	10	uA

Note: 1. I_{cc} depends on output load condition when the device is selected.

I_{cc} (max) is specified at the output open condition.

2. Address can be changed once or less while /RAS = V_{IL}.

3. Address can be changed once or less while /CAS = V_{IH}.

CAPACITANCE (T_A=25°C, V_{cc} = 5V±10%, f = 1Mhz)

DESCRIPTION	SYMBOL	MIN	MAX	UNITS	NOTE
Input Capacitance (A0-A9)	C _{I1}	-	5	pF	1
Input Capacitance (/WE,/RAS, /CAS0- /CAS3,/OE)	C _{I2}	-	7	pF	1,2
Input/Output Capacitance (DQ0-31)	C _{DQ1}	-	7	pF	1,2

Note: 1. Capacitance measured with Boonton Meter or effective capacitance measuring method.

2. /CAS = V_{IH} to disable DOUT.

AC CHARACTERISTICS (0°C ≤ T_A ≤ 70°C, V_{cc} = 5V±10%, V_{IH}/V_{IL} = 2.4/0.8V, V_{OH}/V_{OL} = 2.4/0.4V, See notes 1,2)

SYMBOL	PARAMETER	-5		-6		UNIT	NOTE
		MIN	MAX	MIN	MAX		
t _{RC}	Random Read or Write Cycle Time	90		110		ns	
t _{RWC}	Read-modify-writer cycle time	133		155		ns	
t _{RAC}	Access Time from /RAS		50		60	ns	3,4,10
t _{CAC}	Access Time from /CAS		15		15	ns	3,4,5
T _{aa}	Access Time from Column Address		25		30	ns	3,10
t _{OFF}	Output Buffer Turn-off Time	0	13	0	15	ns	6
t _T	Transition Time (Rise and Fall)	3	50	3	50	ns	2
TRP	/RAS Precharge Time	30		40		ns	
t _{RAS}	/RAS Pulse Width	50	10K	60	10K	ns	
t _{RSH}	/RAS Hold Time	13		15		ns	
t _{CSH}	/CAS Hold Time	50		60		ns	
t _{CAS}	/CAS Pulse Width	13	10K	15	10K	ns	
t _{RCD}	/RAS to /CAS Delay Time	20	37	20	45	ns	4
t _{RAD}	/RAS to Column Address Delay Time	15	25	15	30	ns	10
t _{CRP}	/CAS to /RAS Precharge Time	5		5		ns	
t _{ASR}	Row Address Setup Time	0		0		ns	
t _{RAH}	Row Address Hold Time	10		10		ns	
t _{ASC}	Column Address Setup Time	0		0		ns	11
t _{CAH}	Column Address Hold Time	10		10		ns	11
t _{RAL}	Column Address to /RAS Lead Time	25		30		ns	
t _{RCS}	Read Command Setup Time	0		0		ns	
t _{RCH}	Read Command Hold Time to /CAS	0		0		ns	8

tRRH	Read Command Hold Time to /RAS	0		0		ns	8
tWCH	Write Command Hold Time	10		10		ns	
tWP	Write Command Pulse Width	10		10		ns	
tRWL	Write Command to /RAS Lead Time	13		15		ns	
tCWL	Write Command to /CAS Lead Time	13		15		ns	
tDS	Data-in Setup Time	0		0		ns	9
tDH	Data-in Hold Time	10		10		ns	9
t_{REF}	Refresh Period (1024 Cycle)		16		16	ms	
twcs	Write Command Setup Time	0		0		ms	7
tCWD	/CAS to /WE delay time	36		40		ms	7,13
tRWD	/RAS to /WE delay time	73		85		ns	7
tAWD	Column Address to /WE delay time	48		55		ns	7
tCPWD	/CAS precharge to /WE delay time	53		60		ns	7
tCSR	/CAS Setup Time (/CAS-before-/RAS Refresh Cycle)	5		5		ns	15
tCHR	/CAS Hold Time (/CAS-before-/RAS Refresh Cycle)	10		10		ns	16
tRPC	/RAS Precharge to /CAS Hold Time	5		5		ns	
tCPA	Access Time from /CAS Precharge		30		35	ns	3
tPC	Fast Page Mode Cycle Time	35		40		ns	
tCP	Fast Page Mode /RAS Precharge Time	10		10		ns	12
tRASP	Fast Page Mode /CAS Pulse Time	50	200K	60	200K	ns	
tRHCP	/RAS Hold Time time from /CAS Precharge	30		35		ns	
tOEA	/OE Access Time		13		15	ns	3
tOED	/OE to data delay	13		15		ns	
tOEZ	Output buffer turn off delay time from /OE	0	13	0	15	ns	
tOEH	/OE command hold time	13		15		ns	
tRASS	/RAS Pulse Width(CBR self refresh)	100		100		us	
tPRS	/RAS Precharge Time(CBR self refresh)	90		110		ns	
tCHS	/CAS Hold Time(CBR self refresh)	-50		-50		ns	

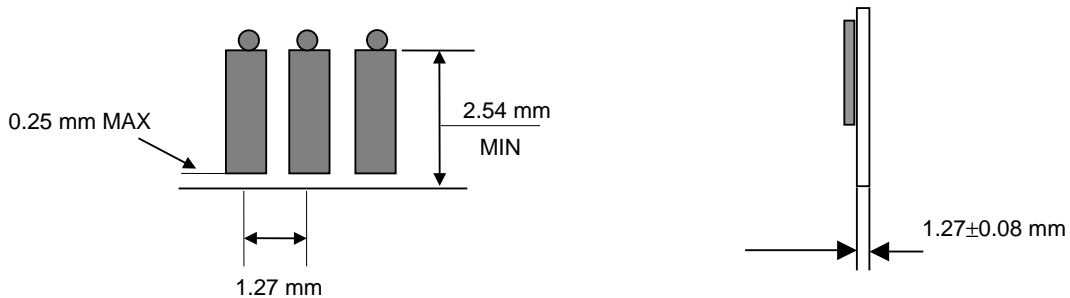
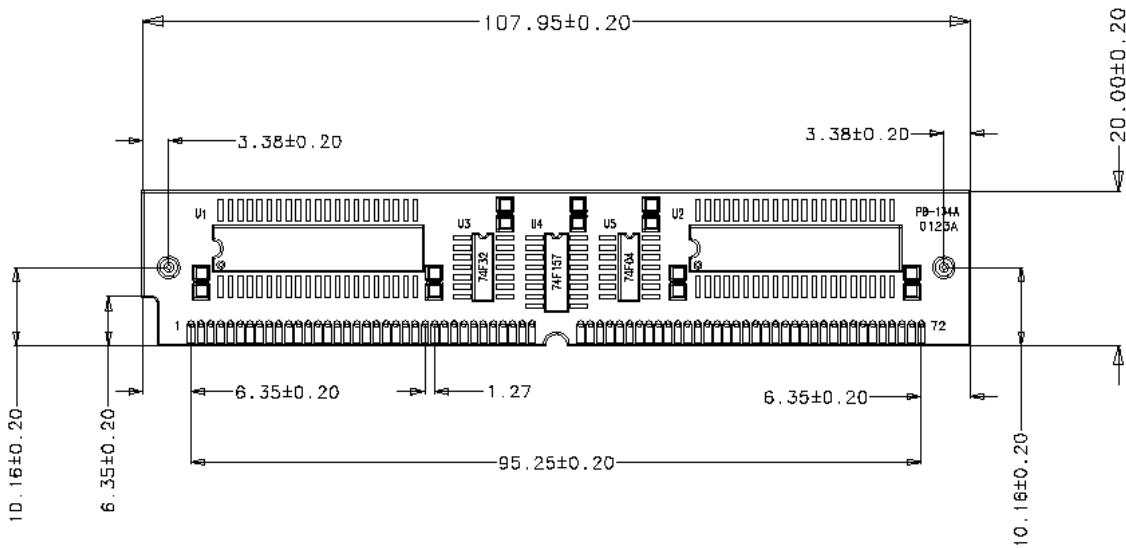
- Note:**
1. An initial pause of 200us is required after power-up followed by any 8 /RAS-only refresh or /CAS-before-/RAS refresh cycles before proper device operation is achieved.
 2. Input voltage levels are V_{IH} / V_{IL} . $V_{IH}(\min)$ and $V_{IL}(\max)$ are reference levels for measuring timing of input signals. Also, transition times are measured between V_{IH} and V_{IL} are assumed to be 5ns for all inputs.
 3. Measured with a load circuit equivalent to 2TTL loads and 100pF.
 4. Operation with the $t_{RCD}(\max)$ limit insures that $t_{RAC}(\max)$ can be met, $t_{RCD}(\max)$ is specified as a reference point only, if t_{RCD} is greater than the specified $t_{RCD}(\max)$ limit, then access time is controlled exclusively by t_{CAC} .
 5. Assumes that $t_{RCD} \leq t_{RCD}(\max)$.
 6. This parameter defines the time at which the output achieves the open circuit condition and is not referenced to V_{OH} / V_{OL} .
 7. T_{WCS} , T_{RWD} , T_{CWD} , T_{CPWD} are non restrictive operating parameter. They are included in the data sheet as electrical characteristics only. If $t_{wcs} \geq t_{wcs}(\min)$, the cycle is an early write cycle and the data out pin will remain open circuit (high impedance) throughout

the entire cycle. If $t_{CWD} \geq t_{CWD}(\min)$, $t_{RWD} \geq t_{RWD}(\min)$, $T_{CPWD} \geq T_{CPWD}(\min)$, then the cycle is a read-modify-write cycle and the data output will contain the data read from the selected address. If neither of the above conditions is satisfied, the condition of the data out is indeterminate.

8. Either t_{RCH} or t_{RRH} must be satisfied for a read cycles.
9. These parameters are referenced to /CAS falling edge in early write cycles and to /WE falling edge in /OE controlled write cycle and read-modify-write cycles.
10. Operation with the $t_{RAD}(\max)$ limit insures that $t_{RAC}(\max)$ can be met, $t_{RAD}(\max)$ is specified as a reference point only, if t_{RAD} is greater than the specified $t_{RAD}(\max)$ limit, then access time is controlled exclusively by t_{AA} .
11. t_{ASC} , t_{CAH} are are referenced to the earlier /CAS falling edge.
12. t_{CP} is specified from the later /CAS rising edge in the previous cycle to the earlier /CAS falling edge in the next cycle.
13. t_{CWD} is referenced to the later /CAS falling edge at word read-modify-write cycle.
14. t_{CWL} is specified from /WE falling edge to the earlier /CAS rising edge .
15. t_{CSR} is referenced to the earlier /CAS falling edge before /RAS transition low.
16. t_{CHR} is referenced to the later /CAS rising edge after /RAS transition low.

PACKAGING INFORMATION

FRONT-SIDE



ORDERING INFORMATION

Part Number	Density	Org.	Package	Component Number	Vcc	MODE	SPEED
HMD1M32M2GL-5	4MByte	X32	72 Pin-SIMM	2EA	5V	FP	50ns
HMD1M32M2GL-6	4MByte	x 32	72 Pin-SIMM	2EA	5V	FP	60ns