

Infrared LED

L2204/L2402/L3458 series

4-pin plastic package, infrared LED



Features

- High radiant output power
- High reliability
- Long life

Applications

- Optical switches
- Automatic control systems

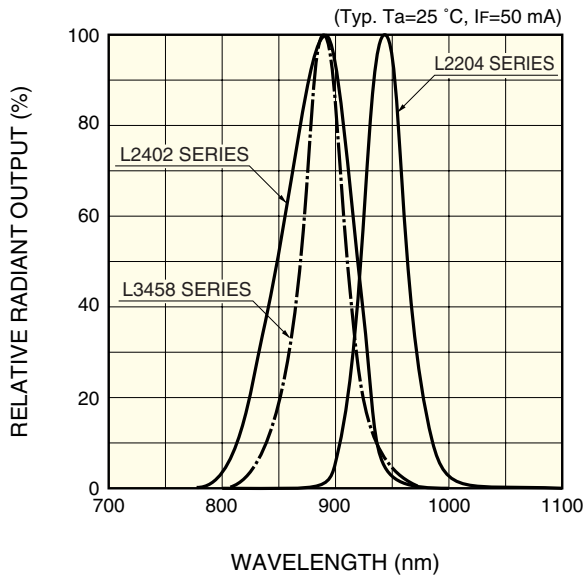
■ Absolute maximum ratings (Ta=25 °C)

Parameter	Symbol	Condition	Value	Unit
Forward current	I _F		65	mA
Reverse voltage	V _R		5	V
Pulse forward current	I _{FP}	Pulse width=10 μs Duty ratio=1 %	1.0	A
Operating temperature	T _{opr}		-25 to +85	°C
Storage temperature	T _{stg}		-30 to +100	°C

■ Electrical and optical characteristics (Ta=25 °C)

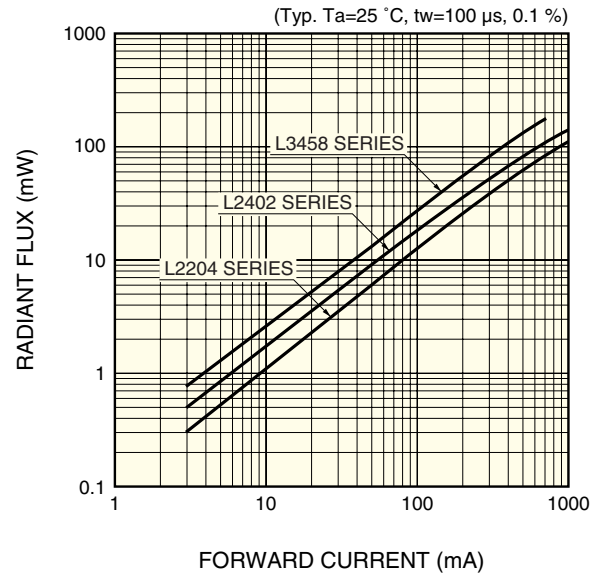
Parameter	Symbol	Condition	L2204/-01/-03			L2402/-01/-02			L3458/-01/-03			Unit
			Min.	Typ.	Max.	Min.	Typ.	Max.	Min.	Typ.	Max.	
Peak emission wavelength	λ _p	I _F =50 mA	920	945	970	870	890	920	870	890	920	nm
Spectral half width	Δλ	I _F =50 mA	-	45	-	-	80	-	-	50	-	nm
Forward voltage	V _F	I _F =50 mA	-	1.30	1.40	-	1.40	1.50	-	1.45	1.60	V
Pulse forward voltage	V _{FP}	I _F =1 A	-	2.3	2.6	-	2.8	3.4	-	3.4	4.0	V
Reverse current	I _R	V _R =5 V	-	-	5	-	-	5	-	-	5	μA
Radiant flux	φ _e	I _F =50 mA	4.0	6.0	-	7.0	9.0	-	9.0	13.0	-	mW
Radiant illuminance	P _E	I _F =50 mA	-	0.5	-	-	0.8	-	-	1.0	-	mW/cm ²
Rise time	t _r	I _F =50 mA, 10 to 90 %	-	1.2	2.0	-	0.45	0.7	-	0.45	0.7	μs
Fall time	t _f	I _F =50 mA, 90 to 10 %	-	1.3	2.0	-	0.45	0.7	-	0.45	0.7	μs

■ Emission spectrum



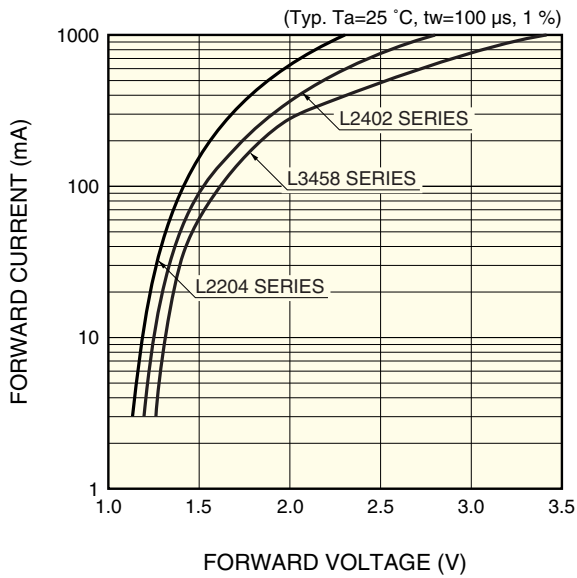
KLEDB0202EA

■ Radiant flux vs. forward current



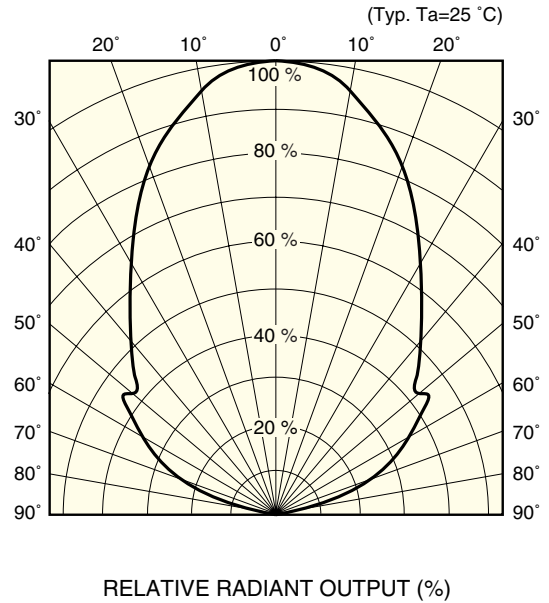
KLEDB0203EA

■ Forward current vs. forward voltage



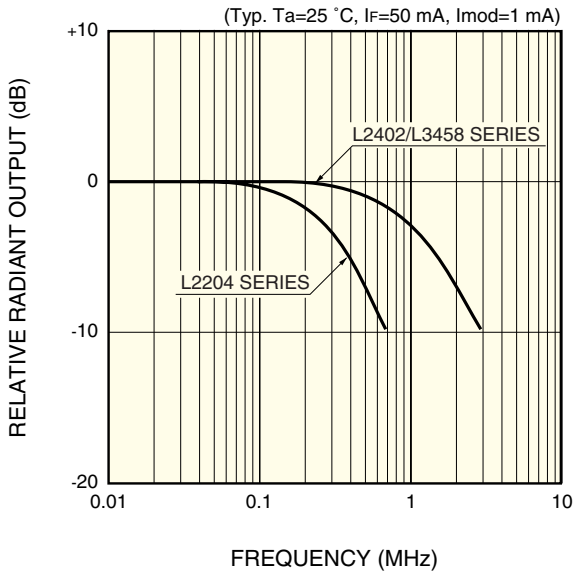
KLEDB0204EA

■ Directivity



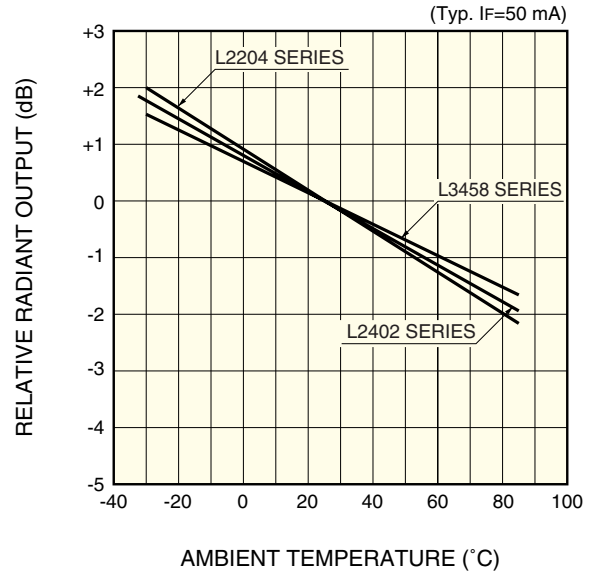
KLEDB0205EA

Frequency response



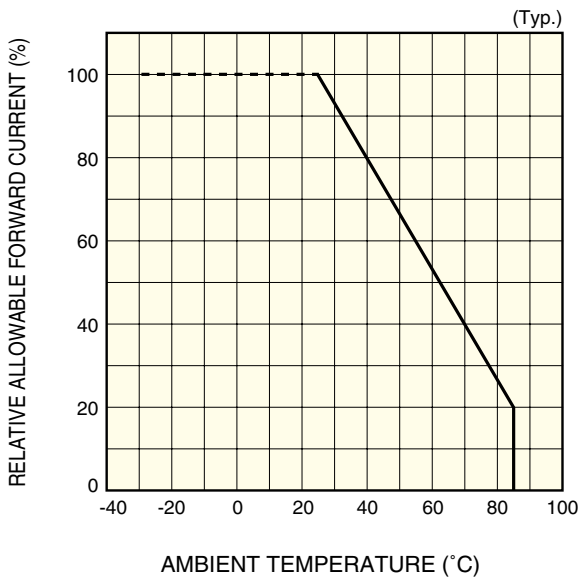
KLEDB0206EA

Radiant output vs. ambient temperature



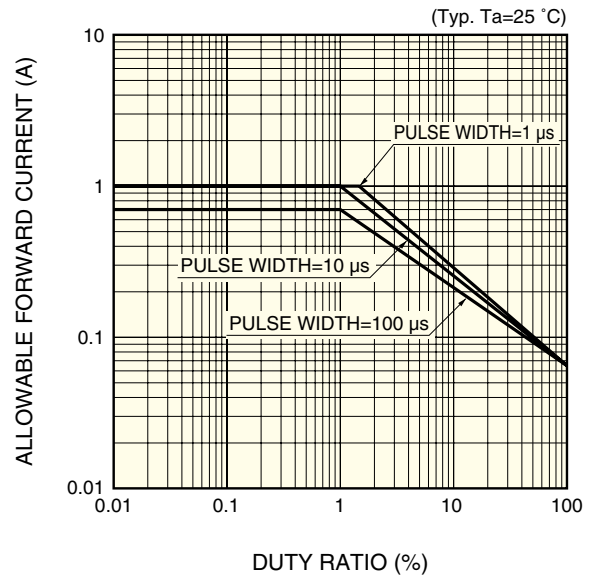
KLEDB0207EA

Allowable forward current vs. ambient temperature



KLEDB0027EB

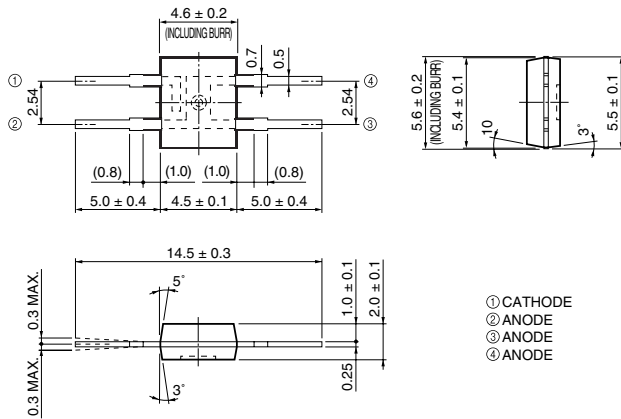
Allowable forward current vs. duty ratio



KLEDB0208EA

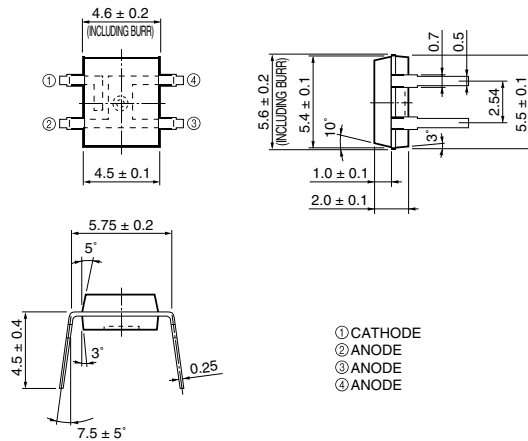
■ Dimensional outlines (unit: mm)

L2204, L2402, L3458



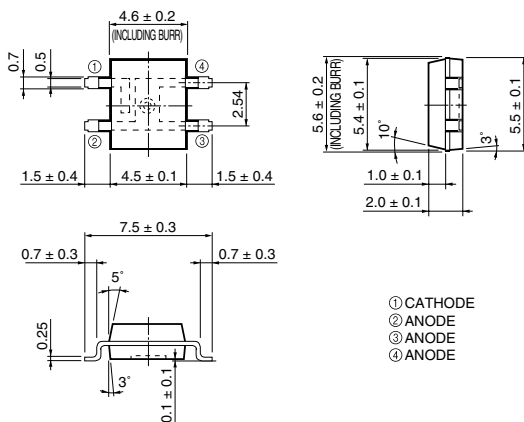
KLEDA0016EB

L2204-01, L2402-01, L3458-01



KLEDA0017EB

L2204-03, L2402-02, L3458-03



KLEDA0054EB