

SOJ, TSOP, FP-BGA  
Commercial Temp  
Industrial Temp

# 512K x 8

## 4Mb Asynchronous SRAM

7, 8, 10, 12 ns  
3.3 V  $V_{DD}$   
Center  $V_{DD}$  and  $V_{SS}$

### Features

- Fast access time: 7, 8, 10, 12 ns
- CMOS low power operation: 135/120/95/85 mA at minimum cycle time
- Single 3.3 V power supply
- All inputs and outputs are TTL-compatible
- Fully static operation
- Industrial Temperature Option:  $-40^{\circ}$  to  $85^{\circ}\text{C}$
- Package line up
  - J: 400 mil, 36-pin SOJ package
  - TP: 400 mil, 44-pin TSOP Type II package
  - X: 6 mm x 10 mm Fine Pitch Ball Grid Array package

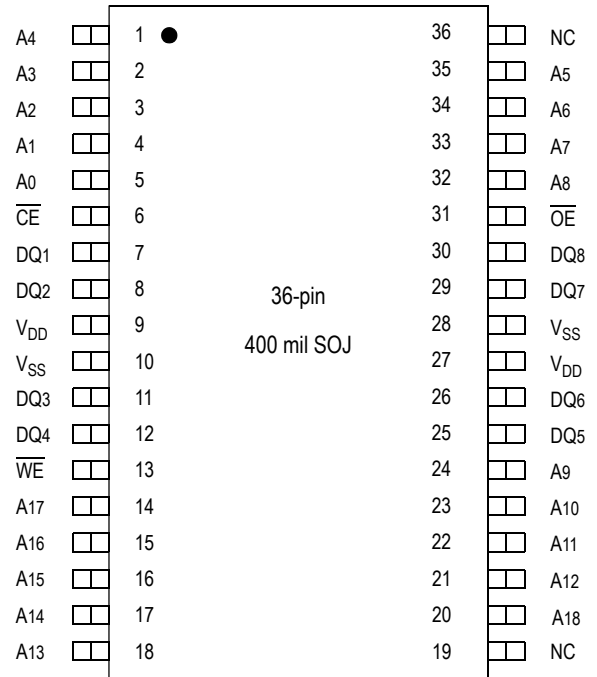
### Description

The GS74108A is a high speed CMOS Static RAM organized as 524,288 words by 8 bits. Static design eliminates the need for external clocks or timing strobes. The GS74108A operates on a single 3.3 V power supply and all inputs and outputs are TTL-compatible. The GS74108A is available in 400 mil SOJ, 400 mil TSOP Type-II, and 6 mm x 10 mm FP-BGA packages.

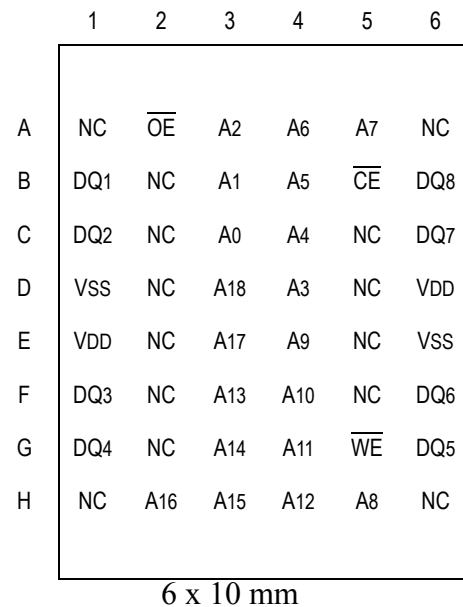
### Pin Descriptions

Symbol	Description
A <sub>0</sub> -A <sub>18</sub>	Address input
DQ <sub>1</sub> -DQ <sub>8</sub>	Data input/output
$\overline{\text{CE}}$	Chip enable input
$\overline{\text{WE}}$	Write enable input
$\overline{\text{OE}}$	Output enable input
$V_{DD}$	+3.3 V power supply
$V_{SS}$	Ground
NC	No connect

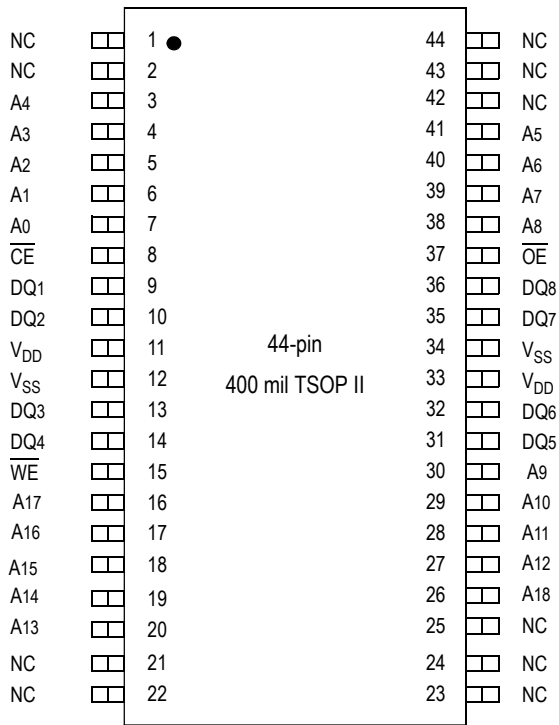
### SOJ 512K x 8-Pin Configuration



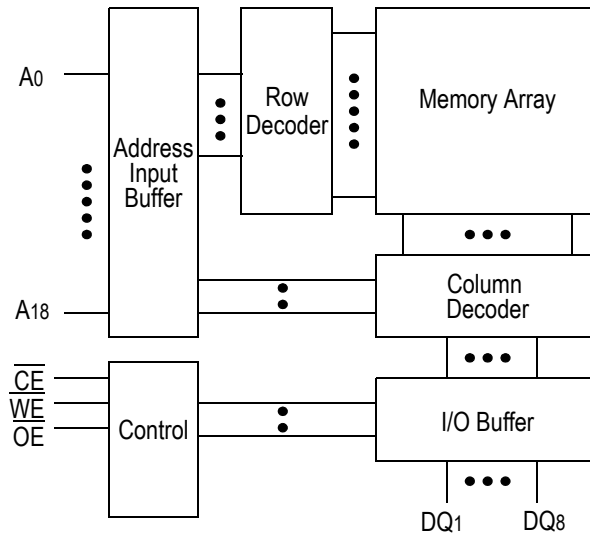
### FP-BGA 512K x 8 Bump Configuration (Package X)



**TSOP-II 512K x 8-Pin Configuration**



**Block Diagram**



**Truth Table**

$\overline{\text{CE}}$	$\overline{\text{OE}}$	$\overline{\text{WE}}$	DQ1 to DQ8	$V_{\text{DD}}$ Current
H	X	X	Not Selected	ISB1, ISB2
L	L	H	Read	IDD
L	X	L	Write	
L	H	H	High Z	

Note: X: "H" or "L"

**Absolute Maximum Ratings**

Parameter	Symbol	Rating	Unit
Supply Voltage	$V_{\text{DD}}$	-0.5 to +4.6	V
Input Voltage	$V_{\text{IN}}$	-0.5 to $V_{\text{DD}} + 0.5$ ( $\leq 4.6$ V max.)	V
Output Voltage	$V_{\text{OUT}}$	-0.5 to $V_{\text{DD}} + 0.5$ ( $\leq 4.6$ V max.)	V
Allowable power dissipation	PD	0.7	W
Storage temperature	$T_{\text{STG}}$	-55 to 150	$^{\circ}\text{C}$

Note:

Permanent device damage may occur if Absolute Maximum Ratings are exceeded. Functional operation shall be restricted to Recommended Operating Conditions. Exposure to higher than recommended voltages for extended periods of time could affect device reliability.

## Recommended Operating Conditions

Parameter	Symbol	Min	Typ	Max	Unit
Supply Voltage for -7/-8/-10/-12	$V_{DD}$	3.0	3.3	3.6	V
Input High Voltage	$V_{IH}$	2.0	—	$V_{DD} + 0.3$	V
Input Low Voltage	$V_{IL}$	-0.3	—	0.8	V
Ambient Temperature, Commercial Range	$T_{Ac}$	0	—	70	°C
Ambient Temperature, Industrial Range	$T_{AI}$	-40	—	85	°C

Note:

1. Input overshoot voltage should be less than  $V_{DD} + 2$  V and not exceed 20 ns.
2. Input undershoot voltage should be greater than  $-2$  V and not exceed 20 ns.

## Capacitance

Parameter	Symbol	Test Condition	Max	Unit
Input Capacitance	$C_{IN}$	$V_{IN} = 0$ V	5	pF
Output Capacitance	$C_{OUT}$	$V_{OUT} = 0$ V	7	pF

Notes:

1. Tested at  $T_A = 25^\circ\text{C}$ ,  $f = 1$  MHz
2. These parameters are sampled and are not 100% tested.

## DC I/O Pin Characteristics

Parameter	Symbol	Test Conditions	Min	Max
Input Leakage Current	$I_{IL}$	$V_{IN} = 0$ to $V_{DD}$	-1 $\mu\text{A}$	1 $\mu\text{A}$
Output Leakage Current	$I_{LO}$	Output High Z $V_{OUT} = 0$ to $V_{DD}$	-1 $\mu\text{A}$	1 $\mu\text{A}$
Output High Voltage	$V_{OH}$	$I_{OH} = -4$ mA	2.4	—
Output Low Voltage	$V_{OL}$	$I_{LO} = +4$ mA	—	0.4 V

**Power Supply Currents**

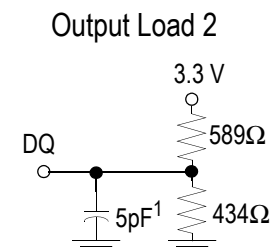
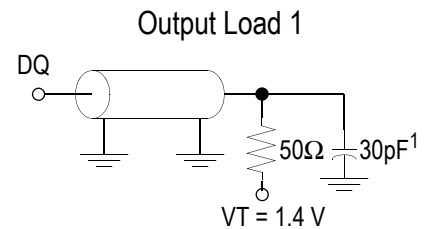
Parameter	Symbol	Test Conditions	0 to 70°C				-40 to 85°C			
			7 ns	8 ns	10 ns	12 ns	7 ns	8 ns	10 ns	12 ns
Operating Supply Current	I <sub>DD</sub>	$\overline{CE} \leq V_{IL}$ All other inputs $\geq V_{IH}$ or $\leq V_{IL}$ Min. cycle time I <sub>OUT</sub> = 0 mA	135 mA	120 mA	95 mA	85 mA	145 mA	130 mA	105 mA	95 mA
Standby Current	I <sub>SB1</sub>	$\overline{CE} \geq V_{IH}$ All other inputs $\geq V_{IH}$ or $\leq V_{IL}$ Min. cycle time	35 mA	30 mA	25 mA	22 mA	45 mA	40 mA	35 mA	32 mA
Standby Current	I <sub>SB2</sub>	$\overline{CE} \geq V_{DD} - 0.2V$ All other inputs $\geq V_{DD} - 0.2V$ or $\leq 0.2V$	10 mA				20 mA			

**AC Test Conditions**

Parameter	Conditions
Input high level	V <sub>IH</sub> = 2.4 V
Input low level	V <sub>IL</sub> = 0.4 V
Input rise time	t <sub>r</sub> = 1 V/ns
Input fall time	t <sub>f</sub> = 1 V/ns
Input reference level	1.4 V
Output reference level	1.4 V
Output load	<b>Fig. 1 &amp; 2</b>

Note:

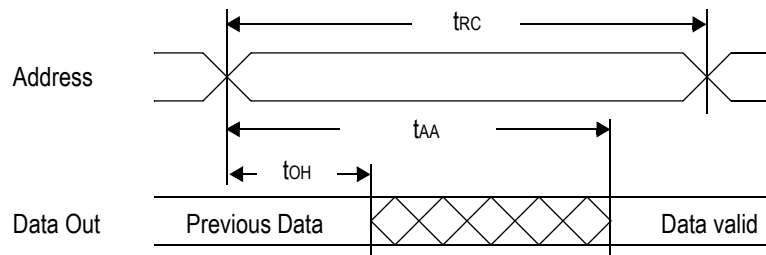
1. Include scope and jig capacitance.
2. Test conditions as specified with output loading as shown in **Fig. 1** unless otherwise noted.
3. Output load 2 for t<sub>LZ</sub>, t<sub>HZ</sub>, t<sub>OLZ</sub> and t<sub>OZH</sub>

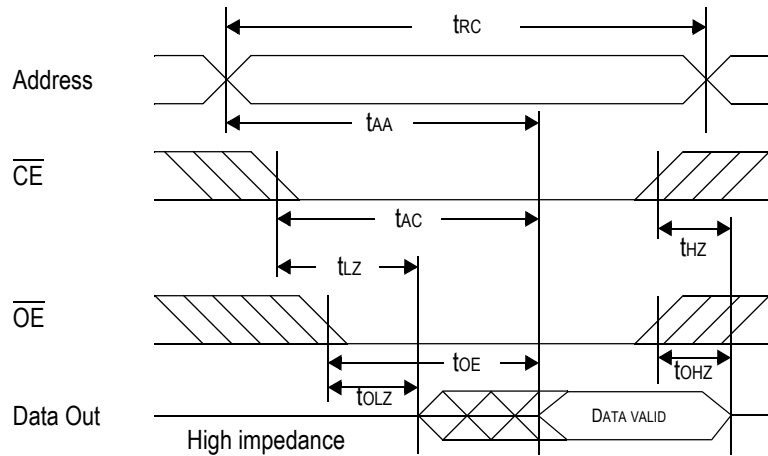


**AC Characteristics**
**Read Cycle**

Parameter	Symbol	-7		-8		-10		-12		Unit
		Min	Max	Min	Max	Min	Max	Min	Max	
Read cycle time	t <sub>RC</sub>	7	—	8	—	10	—	12	—	ns
Address access time	t <sub>AA</sub>	—	7	—	8	—	10	—	12	ns
Chip enable access time ( $\overline{CE}$ )	t <sub>AC</sub>	—	7	—	8	—	10	—	12	ns
Output enable to output valid ( $\overline{OE}$ )	t <sub>OE</sub>	—	3	—	3.5	—	4	—	5	ns
Output hold from address change	t <sub>OH</sub>	3	—	3	—	3	—	3	—	ns
Chip enable to output in low Z ( $\overline{CE}$ )	t <sub>LZ</sub> *	3	—	3	—	3	—	3	—	ns
Output enable to output in low Z ( $\overline{OE}$ )	t <sub>OLZ</sub> *	0	—	0	—	0	—	0	—	ns
Chip disable to output in High Z ( $\overline{CE}$ )	t <sub>HZ</sub> *	—	3.5	—	4	—	5	—	6	ns
Output disable to output in High Z ( $\overline{OE}$ )	t <sub>OHZ</sub> *	—	3	—	3.5	—	4	—	5	ns

\* These parameters are sampled and are not 100% tested.

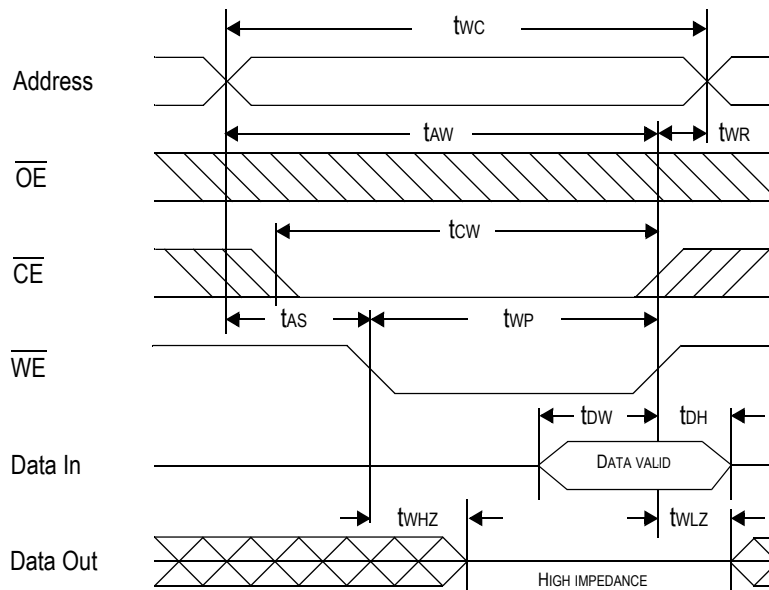
**Read Cycle 1:  $\overline{CE} = \overline{OE} = V_{IL}$ ,  $\overline{WE} = V_{IH}$** 


**Read Cycle 2:  $\overline{WE} = V_{IH}$** 

**Write Cycle**

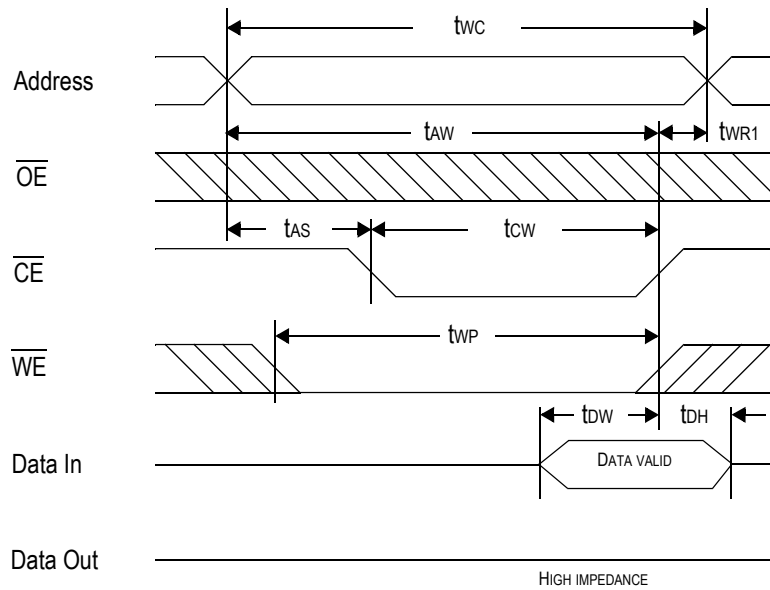
Parameter	Symbol	-7		-8		-10		-12		Unit
		Min	Max	Min	Max	Min	Max	Min	Max	
Write cycle time	$t_{WC}$	7	—	8	—	10	—	12	—	ns
Address valid to end of write	$t_{AW}$	5	—	5.5	—	7	—	8	—	ns
Chip enable to end of write	$t_{CW}$	5	—	5.5	—	7	—	8	—	ns
Data set up time	$t_{DW}$	3.5	—	4	—	5	—	6	—	ns
Data hold time	$t_{DH}$	0	—	0	—	0	—	0	—	ns
Write pulse width	$t_{WP}$	5	—	5.5	—	7	—	8	—	ns
Address set up time	$t_{AS}$	0	—	0	—	0	—	0	—	ns
Write recovery time ( $\overline{WE}$ )	$t_{WR}$	0	—	0	—	0	—	0	—	ns
Write recovery time ( $\overline{CE}$ )	$t_{WR1}$	0	—	0	—	0	—	0	—	ns
Output Low Z from end of write	$t_{WLZ}^*$	3	—	3	—	3	—	3	—	ns
Write to output in High Z	$t_{WHZ}^*$	—	3	—	3.5	—	4	—	5	ns

\* These parameters are sampled and are not 100% tested.

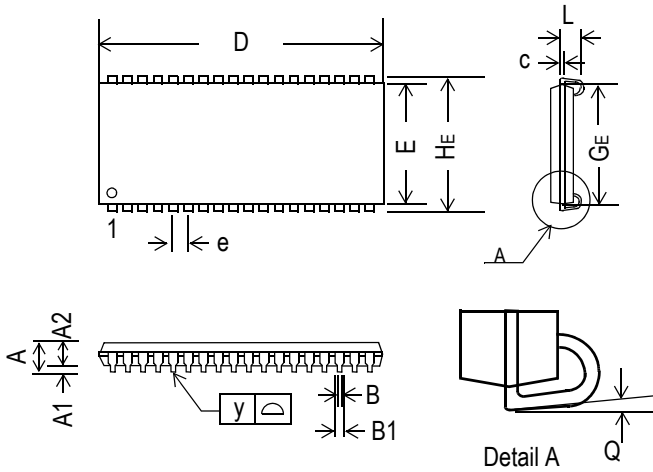
**Write Cycle 1:  $\overline{WE}$  control**



**Write Cycle 2:  $\overline{CE}$  control**



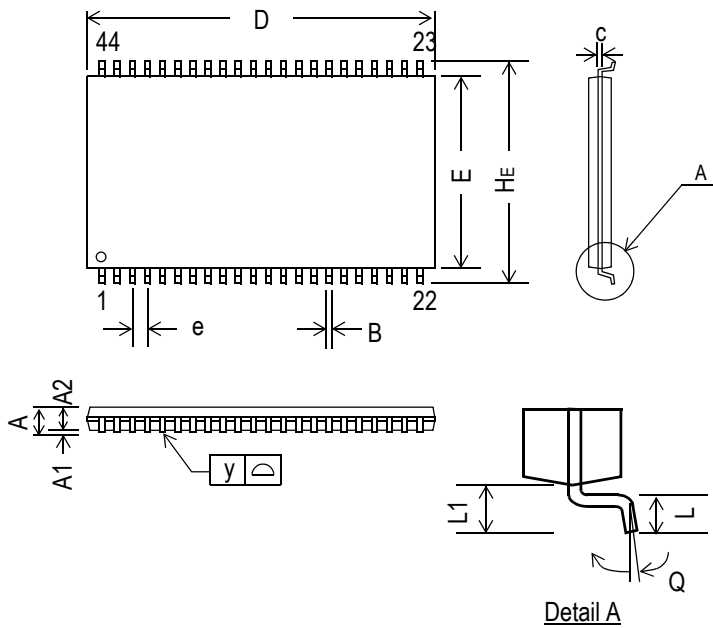


**36-Pin SOJ, 400 mil**


Symbol	Dimension in inch			Dimension in mm		
	min	nom	max	min	nom	max
A	—	—	0.146	—	—	3.70
A1	0.026	—	—	0.66	—	—
A2	0.105	0.110	0.115	2.67	2.80	2.92
B	0.013	0.017	0.021	0.33	0.43	0.53
B1	0.024	0.028	0.032	0.61	0.71	0.81
c	0.006	0.008	0.012	0.15	0.20	0.30
D	0.920	0.924	0.929	23.37	23.47	23.60
E	0.395	0.400	0.405	10.04	10.16	10.28
e	—	0.05	—	—	1.27	—
HE	0.430	0.435	0.440	10.93	11.05	11.17
GE	0.354	0.366	0.378	9.00	9.30	9.60
L	0.082	—	—	2.08	—	—
y	—	—	0.004	—	—	0.10
Q	0°	—	10°	0°	—	10°

**Notes:**

1. Dimension D & E do not include interlead flash.
2. Dimension B1 does not include dambar protrusion/intrusion.
3. Controlling dimension: inches

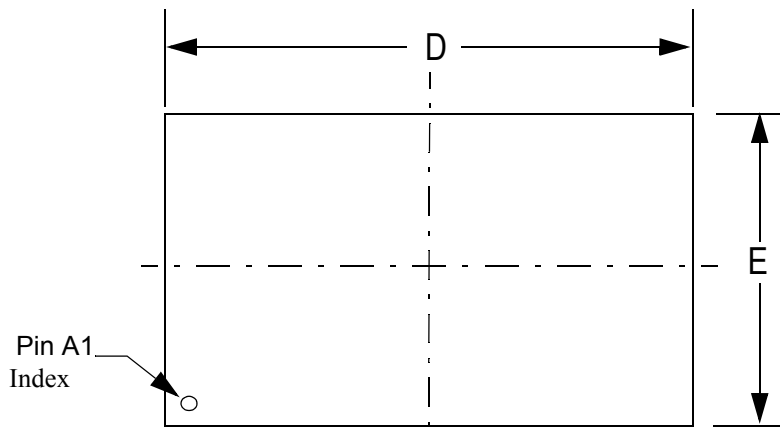
**44-Pin, 400 mil TSOP-II**


Symbol	Dimension in inch			Dimension in mm		
	min	nom	max	min	nom	max
A	—	—	0.047	—	—	1.20
A1	0.002	—	—	0.05	—	—
A2	0.037	0.039	0.041	0.95	1.00	1.05
B	0.01	0.014	0.018	0.25	0.35	0.45
c	—	0.006	—	—	0.15	—
D	0.721	0.725	0.729	18.31	18.41	18.51
E	0.396	0.400	0.404	10.06	10.16	10.26
e	—	0.031	—	—	0.80	—
HE	0.455	0.463	0.471	11.56	11.76	11.96
L	0.016	0.020	0.024	0.40	0.50	0.60
L1	—	0.031	—	—	0.80	—
y	—	—	0.004	—	—	0.10
Q	0°	—	5°	0°	—	5°

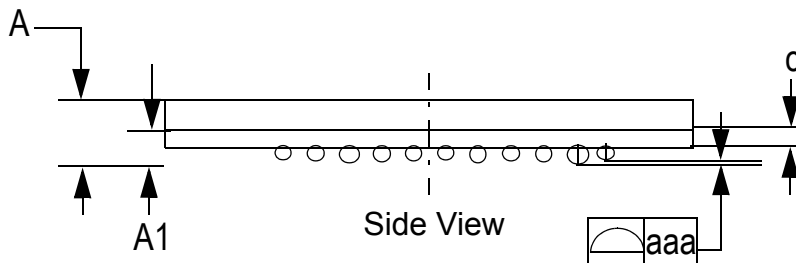
**Notes:**

1. Dimension D & E do not include interlead flash.
2. Dimension B does not include dambar protrusion/intrusion.
3. Controlling dimension: mm

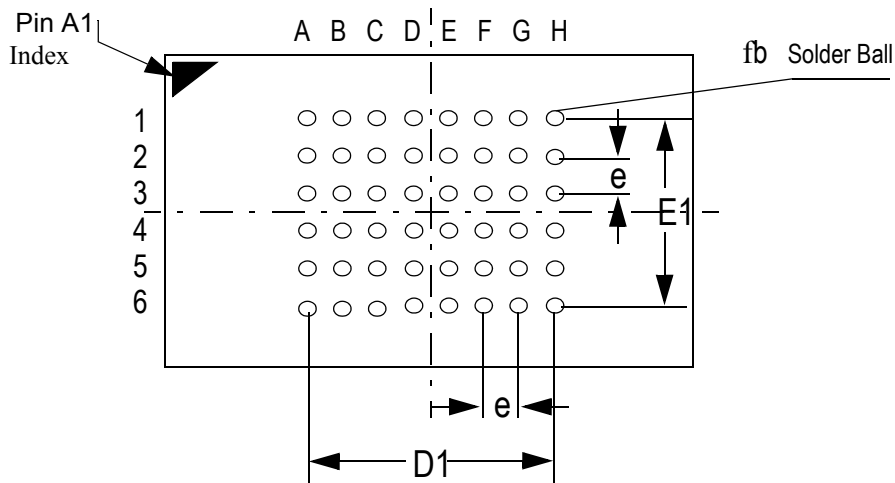
6 mm x 10 mm FP-BGA



Top View



Side View



Bottom View

Symbol	Unit: mm
A	1.10±0.10
A1	0.20~0.30
fb	f0.30~0.40
c	0.36(TYP)
D	10.0±0.05
D1	5.25
E	6.0±0.05
E1	3.75
e	0.75(TYP)
aaa	0.10

**Ordering Information**

Part Number *	Package	Access Time	Temp. Range	Status
GS74108ATP-7	400 mil TSOP-II	7 ns	Commercial	
GS74108ATP-8	400 mil TSOP-II	8 ns	Commercial	
GS74108ATP-10	400 mil TSOP-II	10 ns	Commercial	
GS74108ATP-12	400 mil TSOP-II	12 ns	Commercial	
GS74108ATP-7I	400 mil TSOP-II	7 ns	Industrial	
GS74108ATP-8I	400 mil TSOP-II	8 ns	Industrial	
GS74108ATP-10I	400 mil TSOP-II	10 ns	Industrial	
GS74108ATP-12I	400 mil TSOP-II	12 ns	Industrial	
GS74108AJ-7	400 mil SOJ	7 ns	Commercial	
GS74108AJ-8	400 mil SOJ	8 ns	Commercial	
GS74108AJ-10	400 mil SOJ	10 ns	Commercial	
GS74108AJ-12	400 mil SOJ	12 ns	Commercial	
GS74108AJ-7I	400 mil SOJ	7 ns	Industrial	
GS74108AJ-8I	400 mil SOJ	8 ns	Industrial	
GS74108AJ-10I	400 mil SOJ	10 ns	Industrial	
GS74108AJ-12I	400 mil SOJ	12 ns	Industrial	
GS74108AX-7	6 mm x 10 mm FP-BGA	7 ns	Commercial	
GS74108AX-8	6 mm x 10 mm FP-BGA	8 ns	Commercial	
GS74108AX-10	6 mm x 10 mm FP-BGA	10 ns	Commercial	
GS74108AX-12	6 mm x 10 mm FP-BGA	12 ns	Commercial	
GS74108AX-7I	6 mm x 10 mm FP-BGA	7 ns	Industrial	
GS74108AX-8I	6 mm x 10 mm FP-BGA	8 ns	Industrial	
GS74108AX-10I	6 mm x 10 mm FP-BGA	10 ns	Industrial	
GS74108AX-12I	6 mm x 10 mm FP-BGA	12 ns	Industrial	

\* Customers requiring delivery in Tape and Reel should add the character "T" to the end of the part number. For example:  
GS74108ATP-8T

**4M Asynchronous Datasheet Revision History**

Rev. Code: Old; New	Types of Changes Format or Content	Page #/Revisions/Reason
74108A_r1	Format/Content	• Creation of new datasheet
74108A_r1; 74108A_r1_01	Content	• Added 6 ns speed bin • Updated all power numbers
74108A_r1_01; 74108A_r1_02	Content	• Updated Recommended Operating Conditions table on page 4 • Added 7 ns bin to entire document • Added X package
74108A_r1_02; 74108A_r1_03	Content	• Removed 6 ns speed bin from entire document • Corrected "X" package pinout