

Customer Name	Standard specification	FUJITSU MEDIA DEVICES LIMITED	
Application	IF Filter for TV(PIF+PIF(Switchable))		
System	D/K, M/N		
Picture Carrier Frequency	38.0 MHz	DATE	Sep. 20 2002
FMD Part Number	F816KPL	Version 1.2	

Table 1-1 Electrical Specification (Ta=25°C)

Channel 1 (NTSC M/N)		Pin No.1&2=INPUT			Pin No.3=GROUND	
Items	Conditions	Specification			Unit	Remarks
		Min.	Typ.	Max.		
Insertion Loss	fp-1.5 (36.50 MHz)	15.1	16.6	18.1	dB	
Relative level	fp-6.0 (32.00 MHz)	-	-45	-38	dB	
	fp-4.5 (33.50 MHz)	-21.0	-19.0	-17.0	dB	
	fp-3.58 (34.42 MHz)	-7.1	-5.6	-4.1	dB	
	fp-1.5 (36.50 MHz)	-	0	-	dB	Reference
	fp (38.00 MHz)	-7.2	-5.7	-4.2	dB	
	fp+1.5 (39.50 MHz)	-	-45	-38	dB	
	25.00 ~ 32.00 MHz	-	-43	-35	dB	
	39.50 ~ 45.00 MHz	-	-40	-33	dB	
Amplitude ripple	34.42 ~ 38.00 MHz	-	0.1	0.7	dB	
Group delay	fp-3.58 (34.42 MHz)	-65	5	75	ns	
	fp-1.0 (37.00 MHz)	-70	0	70	ns	
	fp (38.00 MHz)	-	0	-	ns	Reference
Group delay ripple	34.42 ~ 38.00 MHz	-	16	70	ns	
Input Capacitance	Cin1 (1.0 MHz)	-	17.7	-	pF	
Output Capacitance	Cout (1.0 MHz)	-	6.6	-	pF	
Temperature coefficient		-	-72	-	ppm/°C	

Customer Name	Standard specification	FUJITSU MEDIA DEVICES LIMITED	
Application	IF Filter for TV(PIF+PIF(Switchable))		
System	D/K, M/N		
Picture Carrier Frequency	38.0 MHz	DATE	Sep. 20 2002
FMD Part Number	F816KPL	Version 1.2	

Table 1-2 Electrical Specification (Ta=25°C)

Channel 2 (PAL D/K)		Pin No.1=INPUT Pin No.2&3=GROUND				
Items	Conditions	Specification			Unit	Remarks
		Min.	Typ.	Max.		
Insertion Loss	fp-1.5 (36.50 MHz)	15.4	16.9	18.4	dB	
Relative level	fp-8.0 (30.00 MHz)	–	-52	-40	dB	
	fp-7.0 (31.00 MHz)	–	-38	-32	dB	
	fp-6.5 (31.50 MHz)	-22.5	-21.0	-19.5	dB	
	fp-5.5 (32.50 MHz)	-20.5	-18.5	-16.5	dB	
	fp-4.43 (33.57 MHz)	- 3.7	- 2.2	- 0.7	dB	
	fp-1.5 (36.50 MHz)	–	0	–	dB	Reference
	fp (38.00 MHz)	- 7.5	- 6.0	- 4.5	dB	
	fp+1.5 (39.50 MHz)	–	-45	-36	dB	
	25.00 ~ 30.00 MHz	–	-43	-35	dB	
	39.50 ~ 45.00 MHz	–	-39	-33	dB	
Amplitude ripple	33.57 ~ 38.00 MHz	–	0.2	0.7	dB	
Group delay	fp-4.43 (33.57 MHz)	15	85	155	ns	
	fp-3.5 (34.50 MHz)	-70	0	70	ns	
	fp-3.0 (35.00 MHz)	-100	-30	40	ns	
	fp-2.0 (36.00 MHz)	-125	-55	15	ns	
	fp-1.0 (37.00 MHz)	-100	-30	40	ns	
	fp (38.00 MHz)	–	0	–	ns	Reference
Group delay ripple	33.57 ~ 38.00 MHz	–	23	80	ns	
Input Capacitance	Cin2 (1.0 MHz)	–	23.9	–	pF	
Output Capacitance	Cout (1.0 MHz)	–	6.6	–	pF	
Temperature coefficient		–	-72	–	ppm/°C	

Customer Name	Standard specification	FUJITSU MEDIA DEVICES LIMITED	
Application	IF Filter for TV(PIF+PIF(Switchable))		
System	D/K, M/N		
Picture Carrier Frequency	38.0 MHz	DATE	Sep. 20 2002
FMD Part Number	F816KPL	Version 1.2	

● **Dimensions**

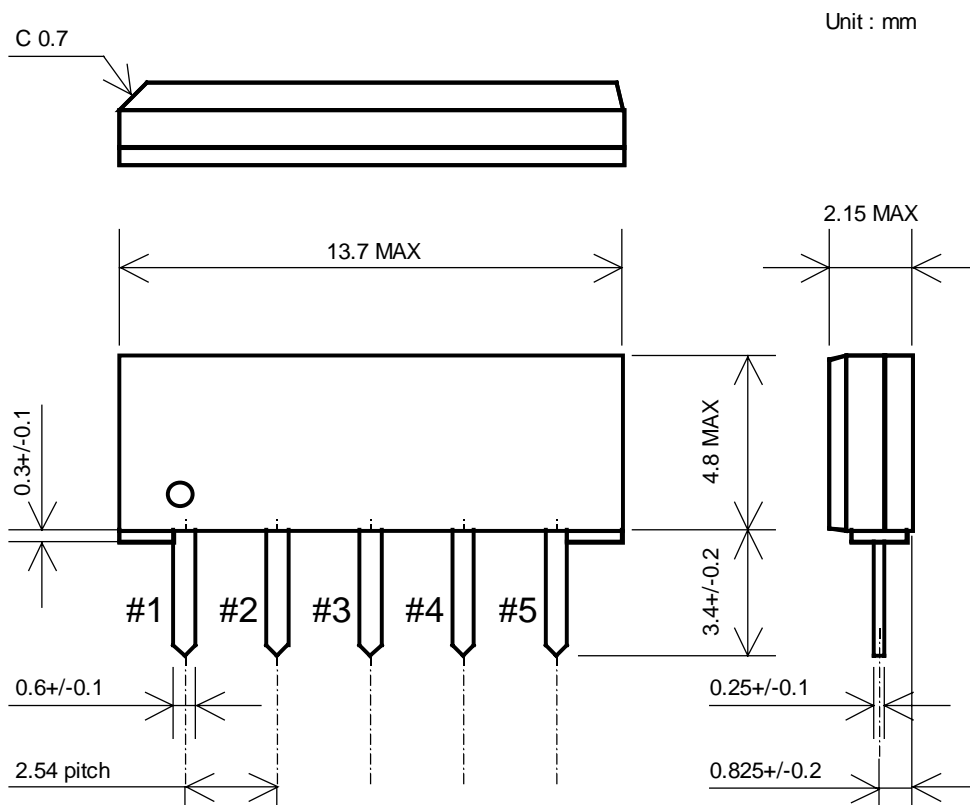


Fig.1

● **Pin Configuration**

Table 2

Pin No.	Symbol	Function
#1	IN	Input
#2	SW	Switching
#3	GND	Ground
#4	OUT	Output
#5	OUT	Output

Customer Name	Standard specification	FUJITSU MEDIA DEVICES LIMITED	
Application	IF Filter for TV(PIF+PIF(Switchable))		
System	D/K, M/N		
Picture Carrier Frequency	38.0 MHz	DATE	Sep. 20 2002
FMD Part Number	F816KPL	Version 1.2	

● **Evaluation Circuit**

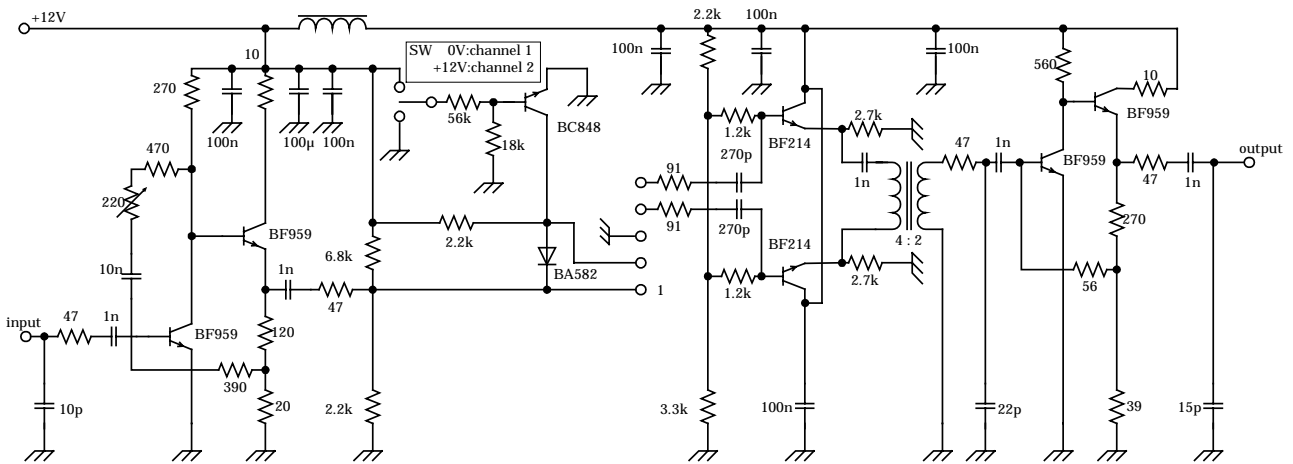


Fig.2 Evaluation circuit

● **Equivalent Circuit**

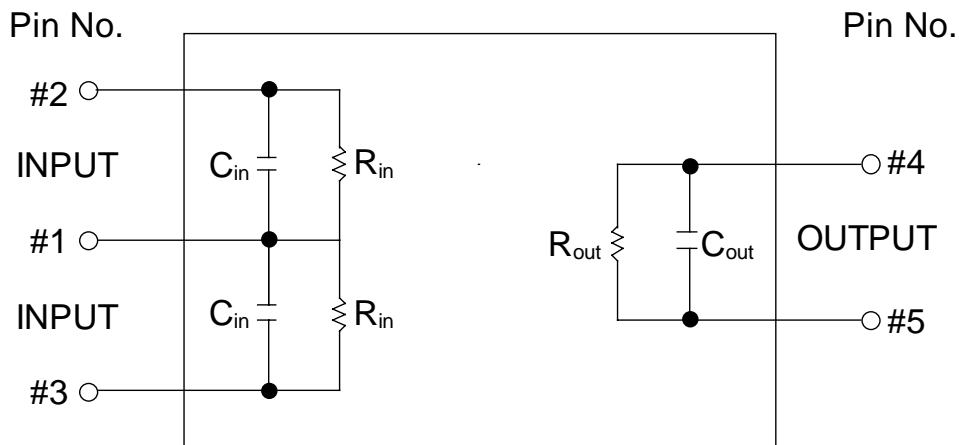
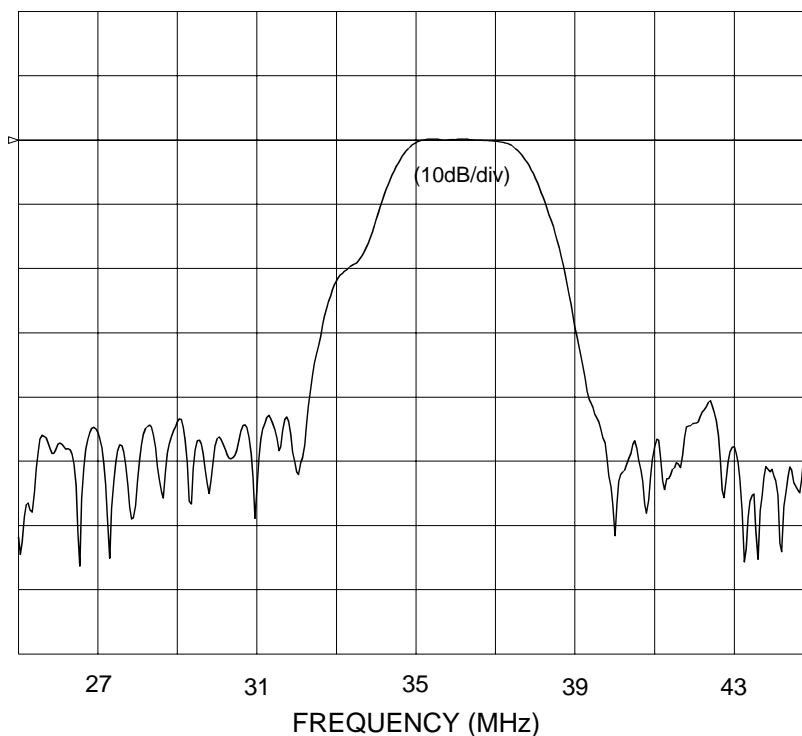


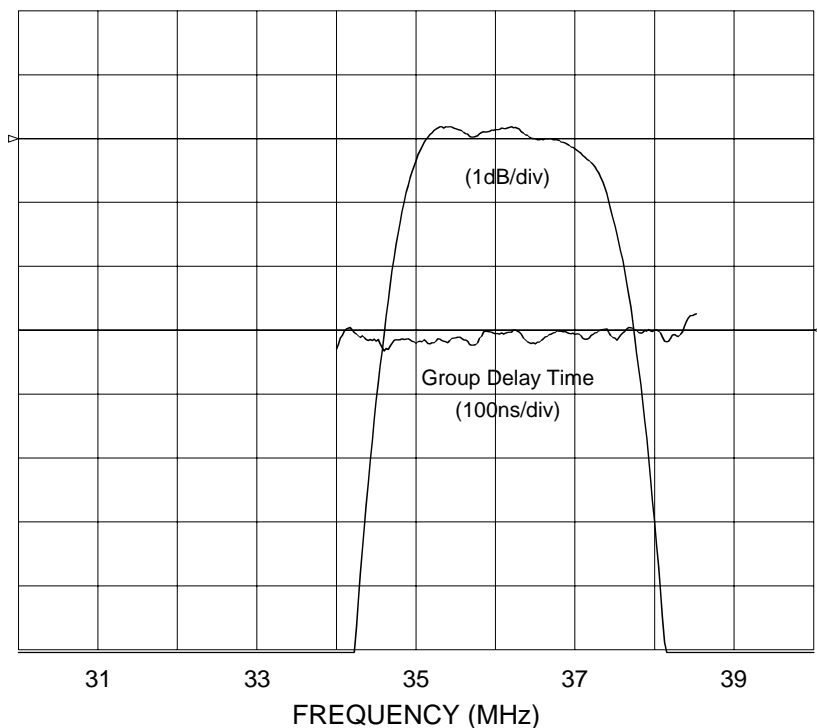
Fig.3 Equivalent circuit

Customer Name	Standard specification	FUJITSU MEDIA DEVICES LIMITED	
Application	IF Filter for TV(PIF+PIF(Switchable))		
System	D/K, M/N		
Picture Carrier Frequency	38.0 MHz	DATE	Sep. 20 2002
FMD Part Number	F816KPL	Version 1.2	

Channel 1 (M/N)



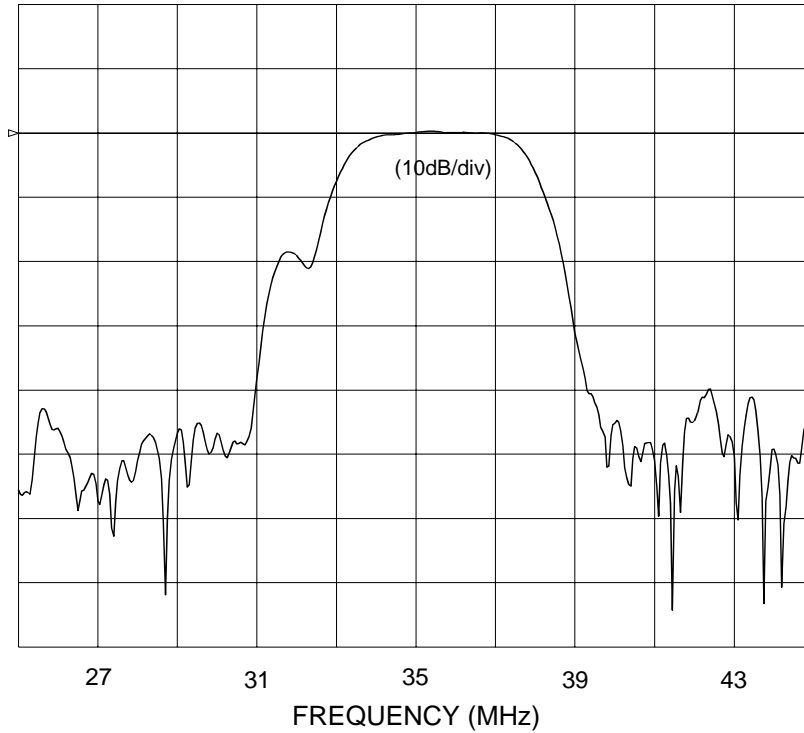
Frequency Characteristics



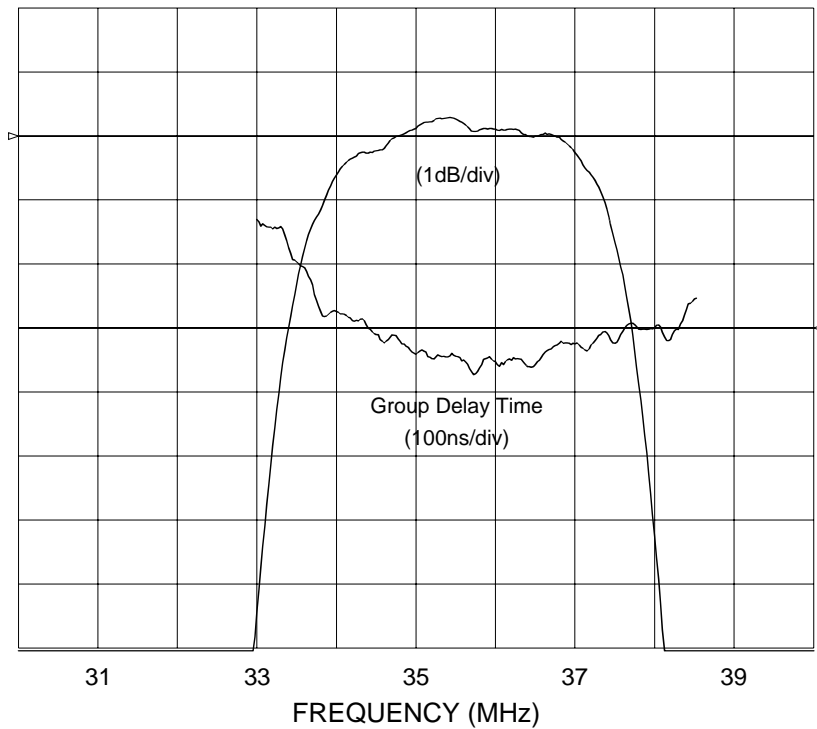
In-band Characteristics

Customer Name	Standard specification	FUJITSU MEDIA DEVICES LIMITED	
Application	IF Filter for TV(PIF+PIF(Switchable))		
System	D/K, M/N		
Picture Carrier Frequency	38.0 MHz	DATE	Sep. 20 2002
FMD Part Number	F816KPL	Version 1.2	

Channel 2 (D/K)



Frequency Characteristics



In-band Characteristics