

Customer Name	Standard specification	FUJITSU MEDIA DEVICES LIMITED	
Application	IF Filter for TV		
System	M / N		
Picture Carrier Frequency	45.75 MHz	DATE	Mar. 13 2003
FMD Part Number	F812QPL	Version 1.0	01

Table 1-1 Electrical Specification (Ta=25°C)

PIF						
Items	Conditions	Specification			Unit	Remarks
		Min.	Typ.	Max.		
Insertion Loss	44.064 MHz	14.3	15.8	17.3	dB	
Relative level	35.064 ~ 39.814 MHz	-	-40	-30	dB	
	39.814 MHz	-	-56	-43	dB	
	41.314 MHz	-	-30	-20	dB	
	42.234 MHz	-1.1	-0.1	0.9	dB	
	44.064 MHz	-	0	-	dB	Reference
	45.814 MHz	-6.9	-5.9	-4.9	dB	
	47.314 MHz	-	-49	-42	dB	
	47.314 ~ 55.064 MHz	-	-40	-30	dB	
Group delay	42.234 MHz	-	110	-	ns	
	42.814 MHz	-	20	-	ns	
	43.814 MHz	-	30	-	ns	
	44.814 MHz	-	18	-	ns	
	45.814 MHz	-	0	-	ns	Reference
Input Capacitance	Cin1 (1.0 MHz)	-	25.0	-	pF	
Output Capacitance	Cout (1.0 MHz)	-	3.7	-	pF	
Temperature coefficient		-	-72	-	ppm/°C	

Customer Name	Standard specification	FUJITSU MEDIA DEVICES LIMITED	
Application	IF Filter for TV		
System	M / N		
Picture Carrier Frequency	45.75 MHz	DATE	Mar. 13 2003
FMD Part Number	F812QPL	Version 1.0	01

Table 1-2 Electrical Specification (Ta=25°C)

SIF						
Items	Conditions	Specification			Unit	Remarks
		Min.	Typ.	Max.		
Insertion Loss	41.314 MHz	13.0	15.0	17.0	dB	
Relative level	35.064 ~ 39.814 MHz	-	-36	-30	dB	
	39.814 MHz	-	-45	-30	dB	
	41.314 MHz	-	0	-	dB	Reference
	42.234 MHz	-	-30	-18	dB	
	45.814 MHz	-	-48	-35	dB	
	47.314 MHz	-	-42	-30	dB	
	47.314 ~ 55.064 MHz	-	-38	-30	dB	
Output Capacitance	Cout (1.0 MHz)	-	2.5	-	pF	

Customer Name	Standard specification	FUJITSU MEDIA DEVICES LIMITED	
Application	IF Filter for TV		
System	M / N		
Picture Carrier Frequency	45.75 MHz	DATE	Mar. 13 2003
FMD Part Number	F812QPL	Version 1.0	01

● **Dimensions**

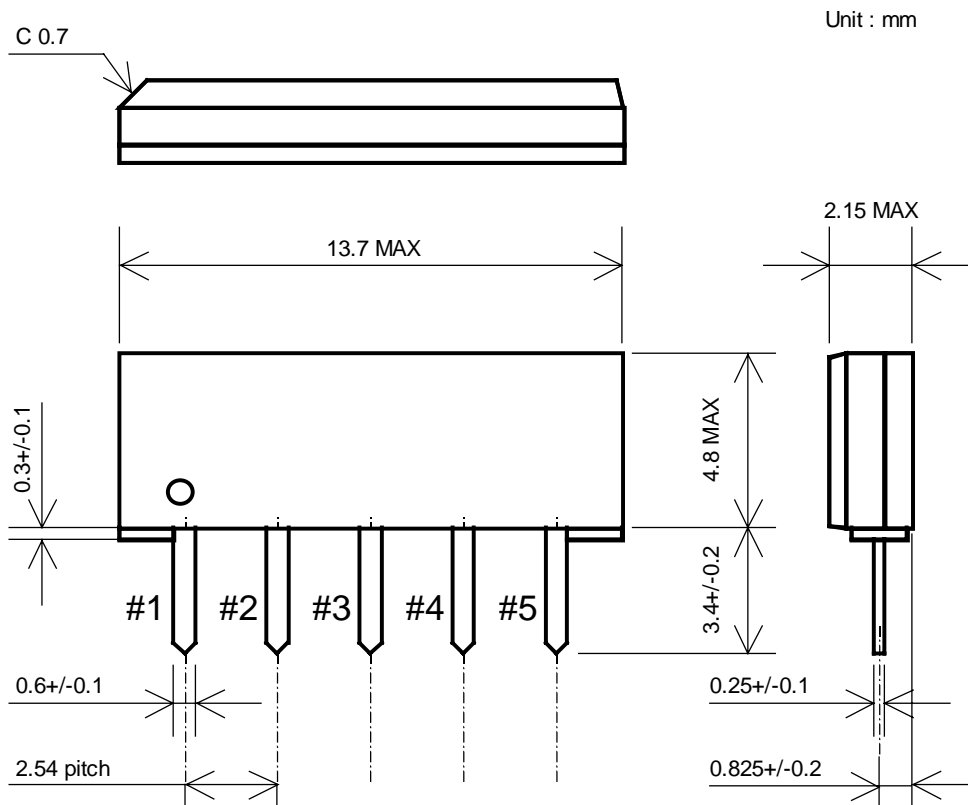


Fig.1

● **Pin Configuration**

Table 2

Pin No.	Symbol	Function
#1	IN	Input
#2	GND	Ground
#3	OUT	SIF-Output
#4	OUT	PIF-Output
#5	OUT	PIF-Output

Customer Name	Standard specification	FUJITSU MEDIA DEVICES LIMITED	
Application	IF Filter for TV		
System	M / N		
Picture Carrier Frequency	45.75 MHz	DATE	Mar. 13 2003
FMD Part Number	F812QPL	Version 1.0	01

● **Evaluation Circuit**

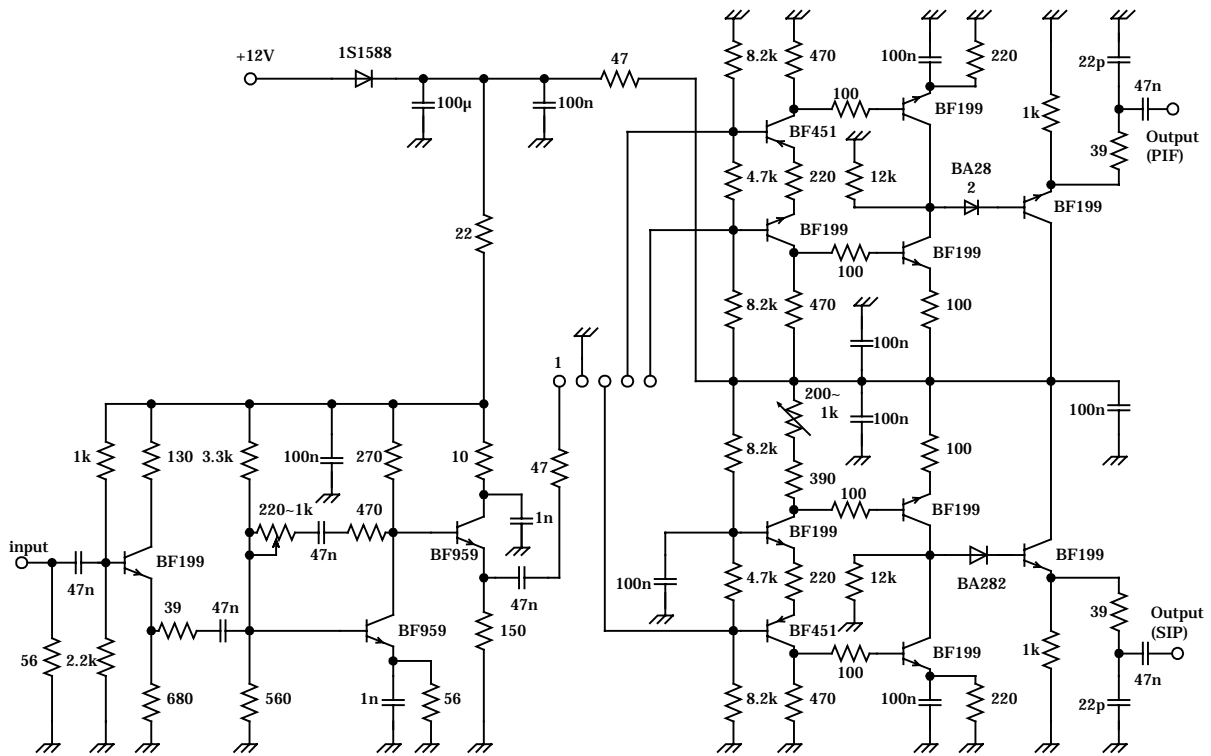
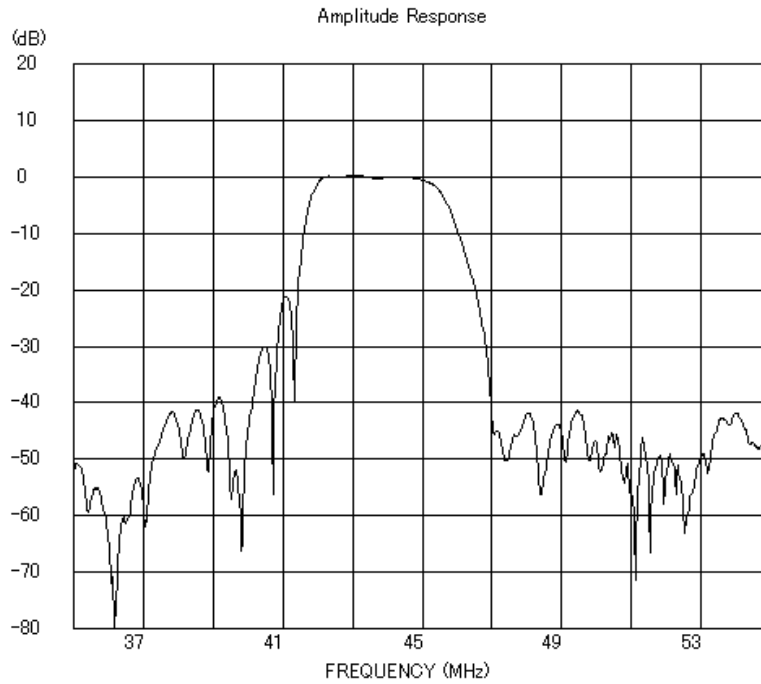
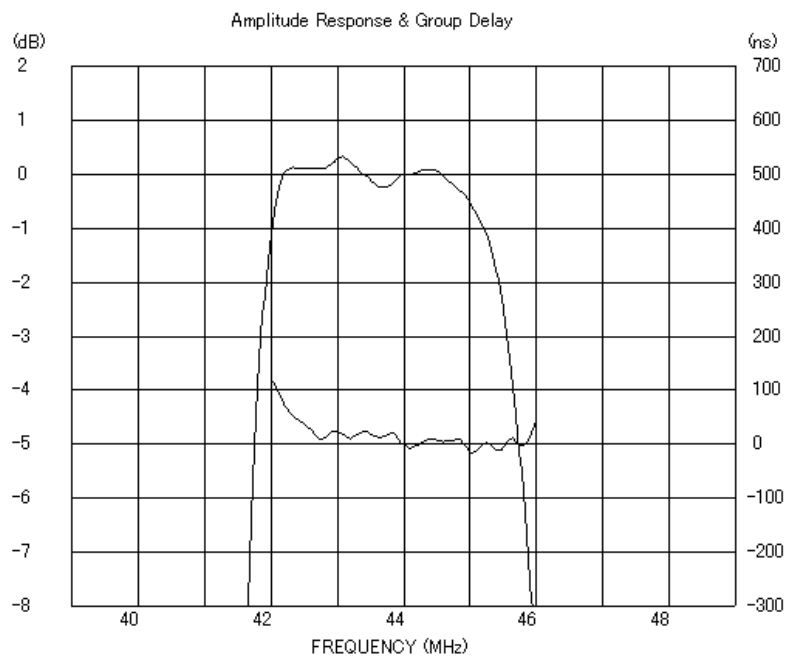


Fig.2 Evaluation circuit

Customer Name	Standard specification	FUJITSU MEDIA DEVICES LIMITED	
Application	IF Filter for TV		
System	M / N		
Picture Carrier Frequency	45.75 MHz	DATE	Mar. 13 2003
FMD Part Number	F812QPL	Version 1.0	01

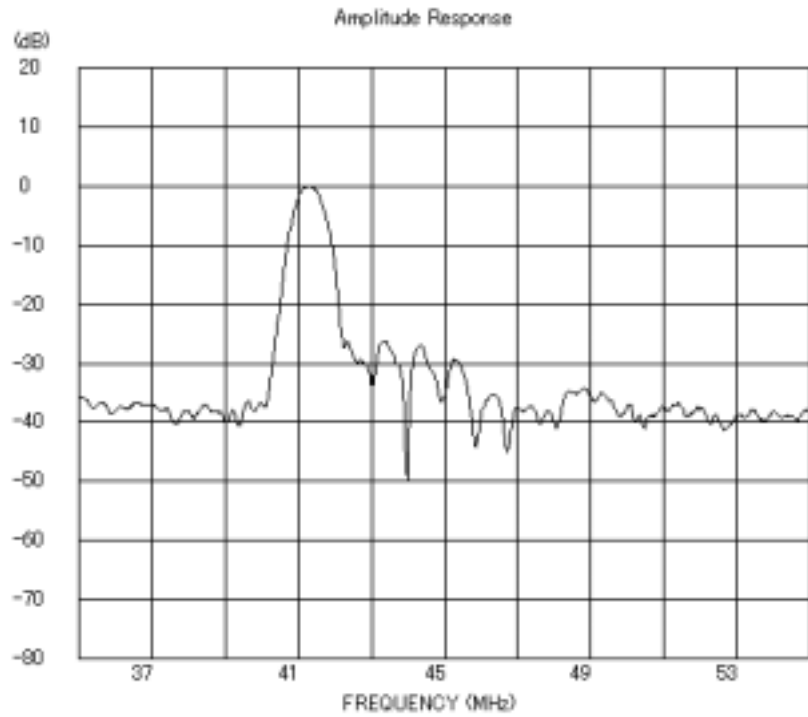


Frequency Characteristics (PIF)



In-band Characteristics (PIF)

Customer Name	Standard specification	FUJITSU MEDIA DEVICES LIMITED	
Application	IF Filter for TV		
System	M / N		
Picture Carrier Frequency	45.75 MHz	DATE	Mar. 13 2003
FMD Part Number	F812QPL	Version 1.0	01



Frequency Characteristics (SIF)