



**3.3V/5V 800MHz
LVTTTL/LVCMOS-to-DIFFERENTIAL
LVPECL TRANSLATOR**

**Precision Edge™
SY89329V**

FEATURES

- **Guaranteed AC performance over temp and voltage:**
 - DC-to-800MHz f_{MAX}
 - <100ps IN-to-OUT t_{pd}
- **Ultra-low jitter design:**
 - <1ps_{rms} random jitter
 - <10ps_{pp} deterministic jitter
 - <1ps_{rms} cycle-to-cycle jitter
 - <1ps_{pp} total jitter (clock)
- **Differential LVPECL output**
- **I_{CC} max. 20mA**
- **Q output will default HIGH with inputs open**
- **Power supply 3.3V ±10% or 5.0V ±10%**
- **-40°C to +85°C temperature range**
- **Available in ultra-small 8-pin (2mm × 2mm) MLF™ package**



Precision Edge™

DESCRIPTION

The SY89329V is a TTL/CMOS-to-differential PECL translator. Capable of running from a 3.3V or 5V supply, the part can be used in either LVTTTL/LVCMOS/LVPECL or TTL/CMOS/PECL systems.

The device requires only a single positive supply of 3.3V or 5V; no negative supply is required.

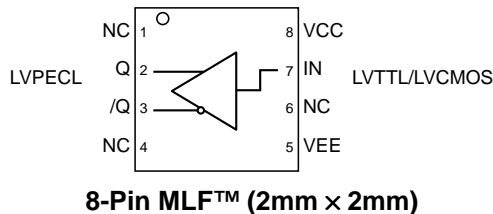
The ultra-small 8-pin MLF™ package of the SY89329V makes it ideal for applications where space, performance, and low power are at a premium. For applications that require a dual translator in this same ultra-small MLF™ package, consider the SY89322V.

All support documentation can be found on Micrel's web site at www.micrel.com.

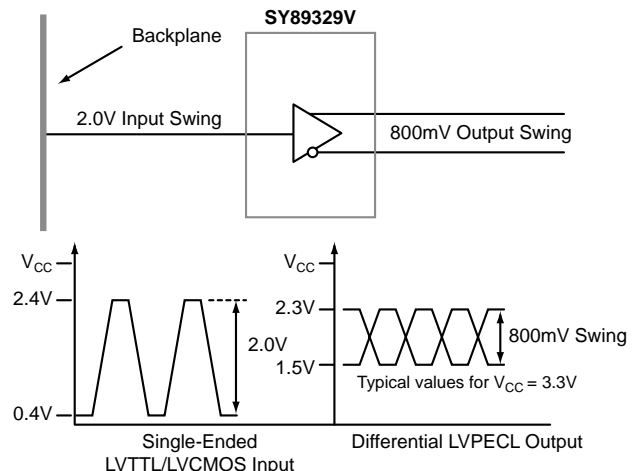
APPLICATIONS

- High-speed logic
- Data communications systems
- Wireless communications systems
- Telecom systems

FUNCTIONAL BLOCK DIAGRAM

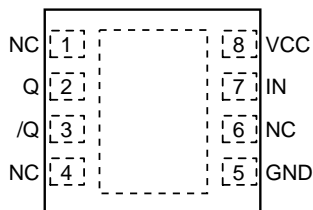


TYPICAL APPLICATIONS CIRCUIT



Precision Edge is a trademark of Micrel, Inc.
MicroLeadFrame and MLF are trademarks of Amkor Technology, Inc.

PACKAGE/ORDERING INFORMATION



8-Pin MLF™

Ordering Information⁽¹⁾

Part Number	Package Type	Operating Range	Package Marking
SY89329VMITR ⁽²⁾	MLF-8	Industrial	329

Notes:

1. Contact factory for die availability. Die are guaranteed at T_A = 25°C, DC electricals only.
2. Tape and Reel.

PIN DESCRIPTION

Pin Number	Pin Name	Pin Function
7	IN	Single-ended input: This is the LVTTTL/LVCMOS input to the device. Input switching threshold is V _{CC} /2. If left floating, Q output will default HIGH.
8	VCC	Positive power supply. Bypass with 0.1µF 0.01µF low ESR capacitors.
2, 3	Q, /Q	Differential LVPECL output: This output is the output of the device. Terminate with 50Ω to V _{CC} -2V. See “Output Interface Applications” section. Defaults HIGH if IN is floating.
5	GND, Exposed Pad	Ground: Ground pin and exposed pad must be connected to the same ground plane.
1, 4, 6	NC	No connect.

Absolute Maximum Ratings⁽¹⁾

Supply Voltage (V_{CC})	-0.5V to + 4.0V
Input Voltage (V_{IN})	-0.5V to V_{CC}
LVPECL Output Voltage (V_{OUT})	$V_{CC}-1.0V$ to $V_{CC}+0.5V$
LVPECL Output Current (I_{OUT})	
Continuous	50mA
Surge	100mA
Input Current	
Source or sink current on IN	$\pm 50mA$
Lead Temperature (soldering, 10 sec.)	+265°C
Storage Temperature (T_S)	-65°C to +150°C

Operating Ratings⁽²⁾

Supply Voltage (V_{CC})	3.0V to 3.3V
	4.5V to 5.5V
Ambient Temperature (T_A)	-40°C to +85°C
Package Thermal Resistance ⁽³⁾	
MLF™ (θ_{JA})	
Still-Air	93°C/W
500lfpm	87°C/W
MLF™ (Ψ_{JB})	
Junction-to-board	32°C/W

DC ELECTRICAL CHARACTERISTICS⁽⁴⁾

Symbol	Parameter	Condition	Min	Typ	Max	Units
V_{CC}	Power Supply		3.0	3.3	3.6	V
			4.5	5.0	5.5	V
I_{CC}	Power Supply Current	No load, max. V_{CC} .			20	mA

LVTTTL/LVC MOS ELECTRICAL CHARACTERISTICS⁽⁴⁾

$T_A = -40^\circ\text{C}$ to $+85^\circ\text{C}$; Unless otherwise stated.

Symbol	Parameter	Condition	Min	Typ	Max	Units
V_{IH}	Input HIGH Voltage (IN, /IN)		2.0			V
V_{IL}	Input LOW Voltage (IN, /IN)				0.8	V
I_{IH}	Input HIGH Current	$V_{IN} = 2.7V$			20	μA
		$V_{IN} = V_{CC}$			100	μA
I_{IL}	Input LOW Current	$V_{IN} = 0.5V$			-0.2	mA
V_{IK}	Input Clamp Voltage	$I_{IN} = -18mA$			-1.2	V

LVPECL OUTPUTS DC ELECTRICAL CHARACTERISTICS⁽⁴⁾

$V_{CC} = 3.3V \pm 10\%$ or $5V \pm 10\%$; $T_A = -40^\circ\text{C}$ to $+85^\circ\text{C}$; $R_L = 50\Omega$ to $V_{CC}-2V$, or equivalent, unless otherwise stated.

Symbol	Parameter	Condition	Min	Typ	Max	Units
V_{OH}	Output HIGH Voltage Q, /Q	Note 2	$V_{CC}-1.080$		$V_{CC}-0.880$	V
V_{OL}	Output LOW Voltage Q, /Q		$V_{CC}-1.830$		$V_{CC}-1.550$	V
V_{OUT}	Output Voltage Swing Q, /Q	See Figure 1a.	600	800		mV
$V_{DIFF-OUT}$	Differential Output Voltage Swing Q, /Q	See Figure 1b.	1200	1600		mV

Notes:

1. Permanent device damage may occur if the "Absolute Maximum Ratings" are exceeded. This is a stress rating only and functional operation is not implied at conditions other than those detailed in the operational sections of this data sheet. Exposure to the absolute maximum ratings conditions for extended periods may affect device reliability.
2. The data sheet limits are not guaranteed if the device is operated beyond the operating ratings.
3. Package Thermal Resistance assumes exposed pad is soldered (or equivalent) to the devices most negative potential on the PCB. Ψ_{JB} uses 4-layer θ_{JA} in still-air unless otherwise stated.
4. The circuit is designed to meet the DC specifications shown in the above table after thermal equilibrium has been established.

AC ELECTRICAL CHARACTERISTICS (5)

$V_{CC} = 3.3V \pm 10\%$ or $5.0V \pm 10\%$; $T_A = -40^\circ C$ to $+85^\circ C$, unless otherwise stated.

Symbol	Parameter	Condition	Min	Typ	Max	Units
f_{MAX}	Maximum Operating Frequency	$V_{OUT} \geq 350mV$			800	MHz
t_{pd}	Propagation Delay IN-to-Q, /IN-to-/Q		100		600	ps
t_{JITTER}	Random Jitter (RJ)	Note 6			1	ps _{rms}
	Deterministic Jitter (DJ)	Note 7			10	ps _{pp}
	Cycle-to-Cycle Jitter	Note 8			1	ps _{rms}
	Total Jitter (TJ)	Note 9			25	ps _{pp}
t_r, t_f	Rise / Fall Time (20% to 80%) Q, /Q	At full output swing.	200		500	ps

Notes:

5. Measured with outputs loaded with 50Ω to $V_{CC} - 2V$ unless otherwise stated. See "Timing Diagrams" section for definition of parameters. High-frequency AC-parameters are guaranteed by design and characterization.
6. RJ is measured with a K28.7 comma detect character pattern, measured at f_{MAX} .
7. DJ is measured at f_{MAX} , with both K28.5 and $2^{23}-1$ PRBS pattern
8. Cycle-to-cycle jitter definition: The variation of periods between adjacent cycles, $T_n - T_{n-1}$ where T is the time between rising edges of the output signal.
9. Total jitter definition: with an ideal clock input of frequency $\leq f_{MAX}$, no more than one output edge in 10^{12} output edges will deviate by more than the specified peak-to-peak jitter value.

SINGLE-ENDED AND DIFFERENTIAL SWING

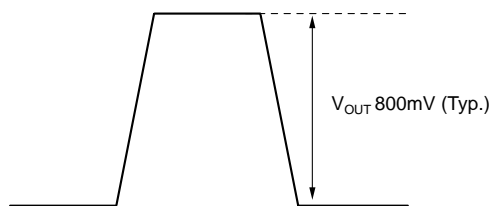


Figure 1a. Single-Ended Voltage Swing

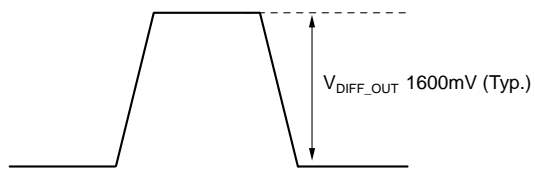


Figure 1b. Differential Voltage Swing

TIMING DIAGRAM

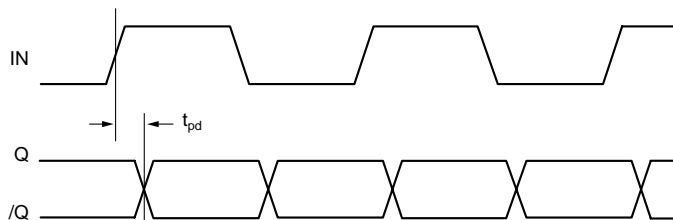


Figure 2. Timing Diagram

OUTPUT INTERFACE APPLICATIONS

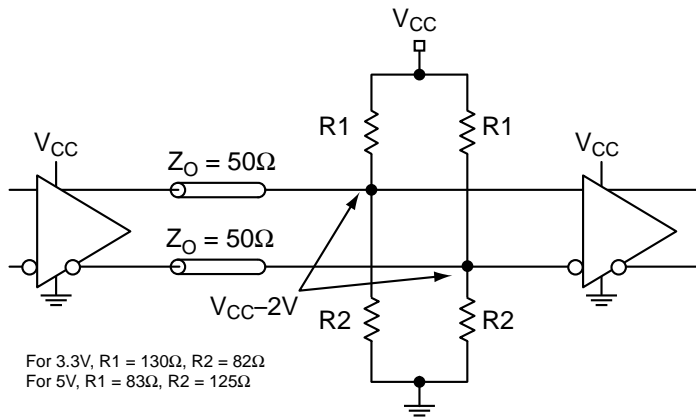


Figure 3a. Parallel Thevenin-Equivalent Termination

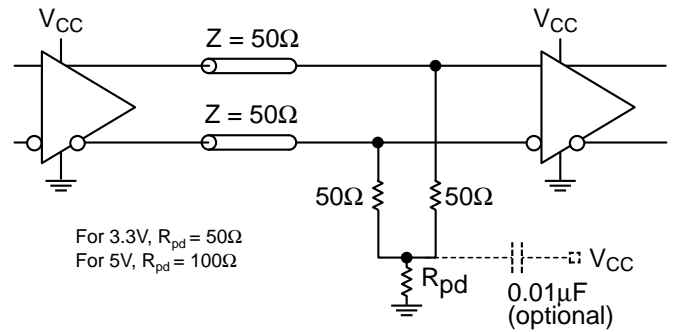


Figure 3b. Three-Resistor Termination

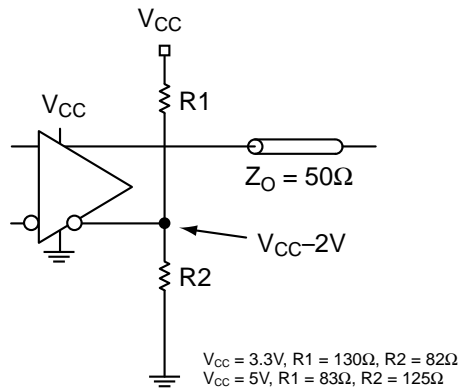
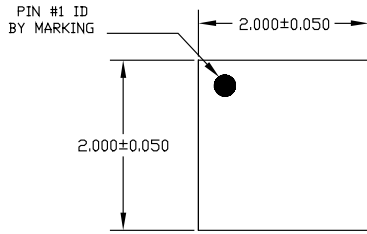


Figure 3c. Terminating Unused I/O

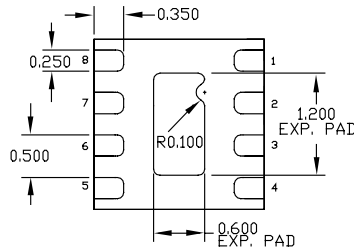
RELATED PRODUCT AND SUPPORT DOCUMENTATION

Part Number	Function	Data Sheet Link
SY89322V	3.3V/5V Dual LVTTTL/LVCMOS-to-Differential LVPECL Translator	www.micrel.com/product-info/products/sy89322v.shtml
	MLF™ Application Note	www.amkor.com/products/notes_papers/MLF_AppNote_0902.pdf
HBW Solutions	New Products and Applications	www.micrel.com/product-info/products/solutions.shtml

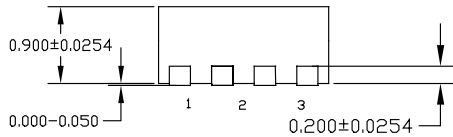
8 LEAD MicroLeadFrame (MLF-8)



TOP VIEW



BOTTOM VIEW



SIDE VIEW

- NOTE:
1. ALL DIMENSIONS ARE IN MILLIMETERS.
 2. MAX. PACKAGE WARPAGE IS 0.05 mm.
 3. MAXIMUM ALLOWABLE BURRS IS 0.076 mm IN ALL DIRECTIONS.
 4. PIN #1 ID ON TOP WILL BE LASER/INK MARKED.

MICREL, INC. 1849 FORTUNE DRIVE SAN JOSE, CA 95131 USA

TEL + 1 (408) 944-0800 FAX + 1 (408) 474-1000 WEB <http://www.micrel.com>

The information furnished by Micrel in this data sheet is believed to be accurate and reliable. However, no responsibility is assumed by Micrel for its use. Micrel reserves the right to change circuitry and specifications at any time without notification to the customer.

Micrel Products are not designed or authorized for use as components in life support appliances, devices or systems where malfunction of a product can reasonably be expected to result in personal injury. Life support devices or systems are devices or systems that (a) are intended for surgical implant into the body or (b) support or sustain life, and whose failure to perform can be reasonably expected to result in a significant injury to the user. A Purchaser's use or sale of Micrel Products for use in life support appliances, devices or systems is at Purchaser's own risk and Purchaser agrees to fully indemnify Micrel for any damages resulting from such use or sale.

© 2004 Micrel, Incorporated.