

DM74ALS161B • DM74ALS162B • DM74ALS163B Synchronous Four-Bit Counter

General Description

These synchronous presettable counters feature an internal carry look ahead for application in high speed counting designs. The DM74ALS162B is a four-bit decade counter, while the DM74ALS161B and DM74ALS163B are four-bit binary counters. The DM74ALS161B clears asynchronously, while the DM74ALS162B and DM74ALS163B clear synchronously. The carry output is decoded to prevent spikes during normal counting mode of operation. Synchronous operation is provided by having all flip-flops clocked simultaneously so that outputs change coincident with each other when so instructed by count enable inputs and internal gating. This mode of operation eliminates the output counting spikes which are normally associated with asynchronous (ripple clock) counters. A buffered clock input triggers the four flip-flops on the rising (positive-going) edge of the clock input waveform.

These counters are fully programmable, that is, the outputs may be preset to either level. As presetting is synchronous, setting up a low level at the load input disables the counter and causes the outputs to agree with set up data after the next clock pulse regardless of the levels of enable input. LOW-to-HIGH transitions at the load input are perfectly acceptable regardless of the logic levels on the clock or enable inputs.

The DM74ALS161B clear function is asynchronous. A low level at the clear input sets all four of the flip-flop outputs LOW regardless of the levels of clock, load or enable inputs. These two counters are provided with a clear on power-up feature. The DM74ALS162B and DM74ALS163B clear function is synchronous; and a low level at the clear input sets all four of the flip-flop outputs LOW after the next clock pulse, regardless of the levels of enable inputs. This synchronous clear allows the count length to be modified easily, as decoding the maximum count desired can be accomplished with one external NAND gate. The gate output is connected to the clear input to synchronously clear the counter to all low outputs. LOW-to-HIGH transitions at the clear input of the DM74ALS162B and DM74ALS163B are also permissible regardless of the levels of logic on the clock, enable or load inputs.

The carry look ahead circuitry provides for cascading counters for n bit synchronous application without additional gating. Instrumental in accomplishing this function are two count enable inputs (P and T) and a ripple carry output. Both count enable inputs must be HIGH to count. The T input is fed forward to enable the ripple carry output. The ripple carry output thus enabled will produce a high level output pulse with a duration approximately equal to the high level portion of QA output. This high level overflow ripple carry pulse can be used to enable successive cascaded stages. HIGH-to-LOW level transitions at the enable P or T inputs of the DM74ALS161B through DM74ALS163B may occur regardless of the logic level on the clock.

The DM74ALS161B through DM74ALS163B feature a fully independent clock circuit. changes made to control inputs (enable P or T, or load) that will modify the operating mode will have no effect until clocking occurs. The function of the counter (whether enabled, disabled, loading or counting) will be dictated solely by the conditions meeting the stable set-up and hold times.

Features

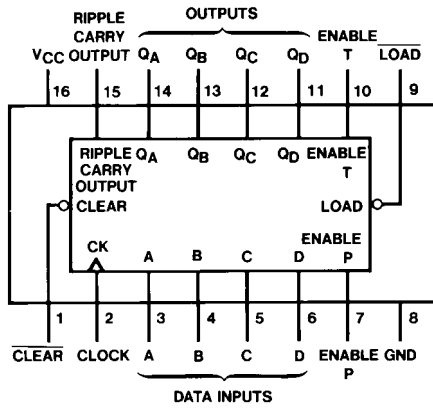
- Switching specifications at 50 pF
- Switching specifications guaranteed over full temperature and V_{CC} range
- Advanced oxide-isolated, ion-implanted Schottky TTL process
- Functionally and pin-for-pin compatible with Schottky and low power Schottky TTL counterpart
- Improved AC performance over Schottky and low power Schottky counterparts
- Synchronously programmable
- Internal look ahead for fast counting
- Carry output for n-bit cascading
- Synchronous counting
- Load control line
- ESD inputs

Ordering Code:

Order Number	Package Number	Package Description
DM74ALS161BM	M16A	16-Lead Small Outline Integrated Circuit (SOIC), JEDEC MS-012, 0.150 Narrow
DM74ALS161BN	N16E	16-Lead Plastic Dual-In-Line Package (PDIP), JEDEC MS-001, 0.300 Wide
DM74ALS162BM	M16A	16-Lead Small Outline Integrated Circuit (SOIC), JEDEC MS-012, 0.150 Narrow
DM74ALS162BN	N16E	16-Lead Plastic Dual-In-Line Package (PDIP), JEDEC MS-001, 0.300 Wide
DM74ALS163BM	M16A	16-Lead Small Outline Integrated Circuit (SOIC), JEDEC MS-012, 0.150 Narrow
DM74ALS163BN	N16E	16-Lead Plastic Dual-In-Line Package (PDIP), JEDEC MS-001, 0.300 Wide

Devices also available in Tape and Reel. Specify by appending the suffix letter "X" to the ordering code.

Connection Diagram

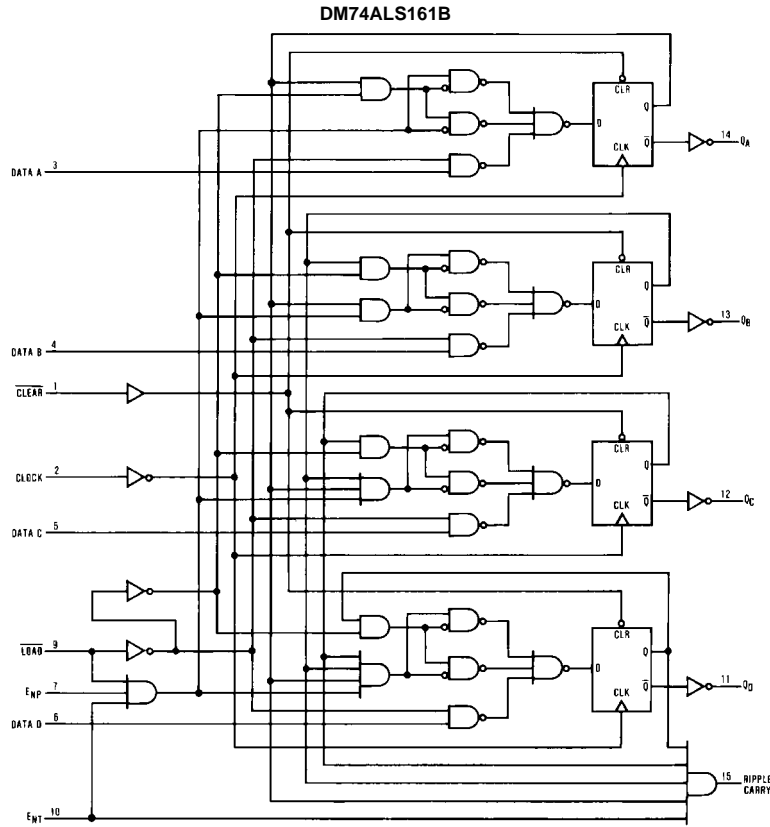


Mode Select Table

Clear	Load	Enable T	Enable P	Action on the Rising Clock Edge (↗)
L	X	X	X	Reset (Clear)
H	L	X	X	Load ($P_n \rightarrow Q_n$)
H	H	H	H	Count (Increment)
H	H	L	X	No Change (Hold)
H	H	X	L	No Change (Hold)

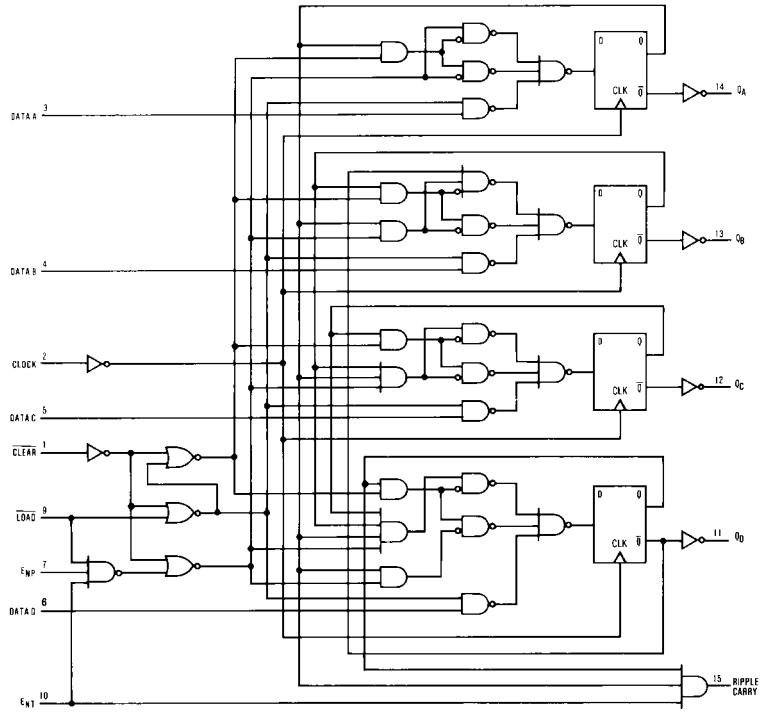
H = HIGH Voltage Level
 L = LOW Voltage Level
 X = Immaterial

Logic Diagrams

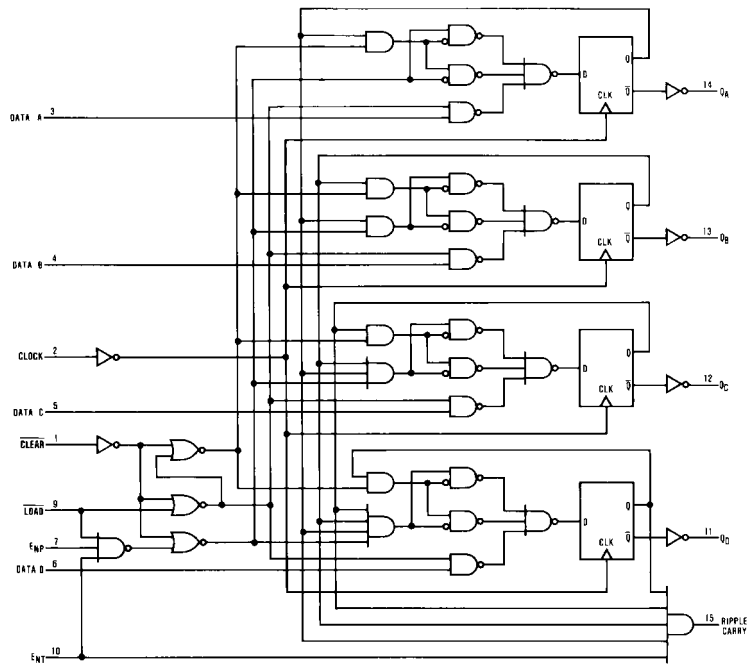


Logic Diagrams (Continued)

DM74ALS162B

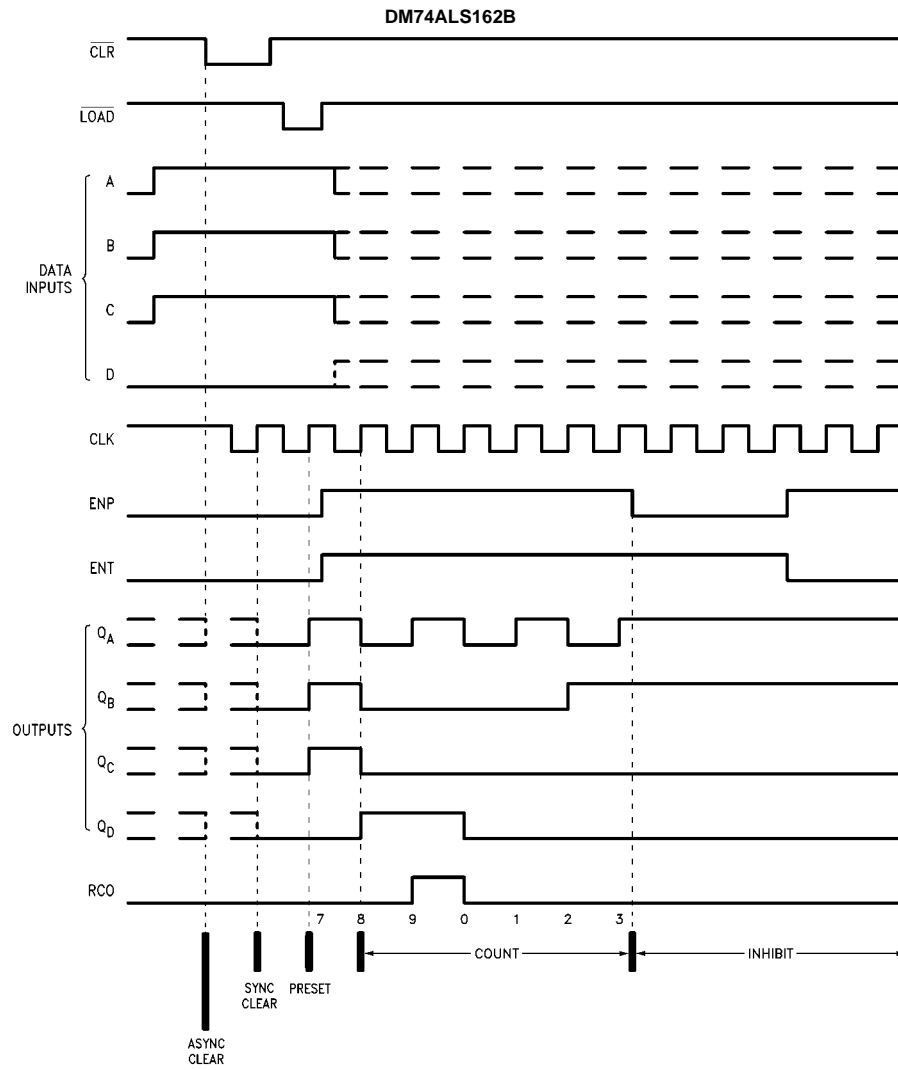


DM74ALS163B



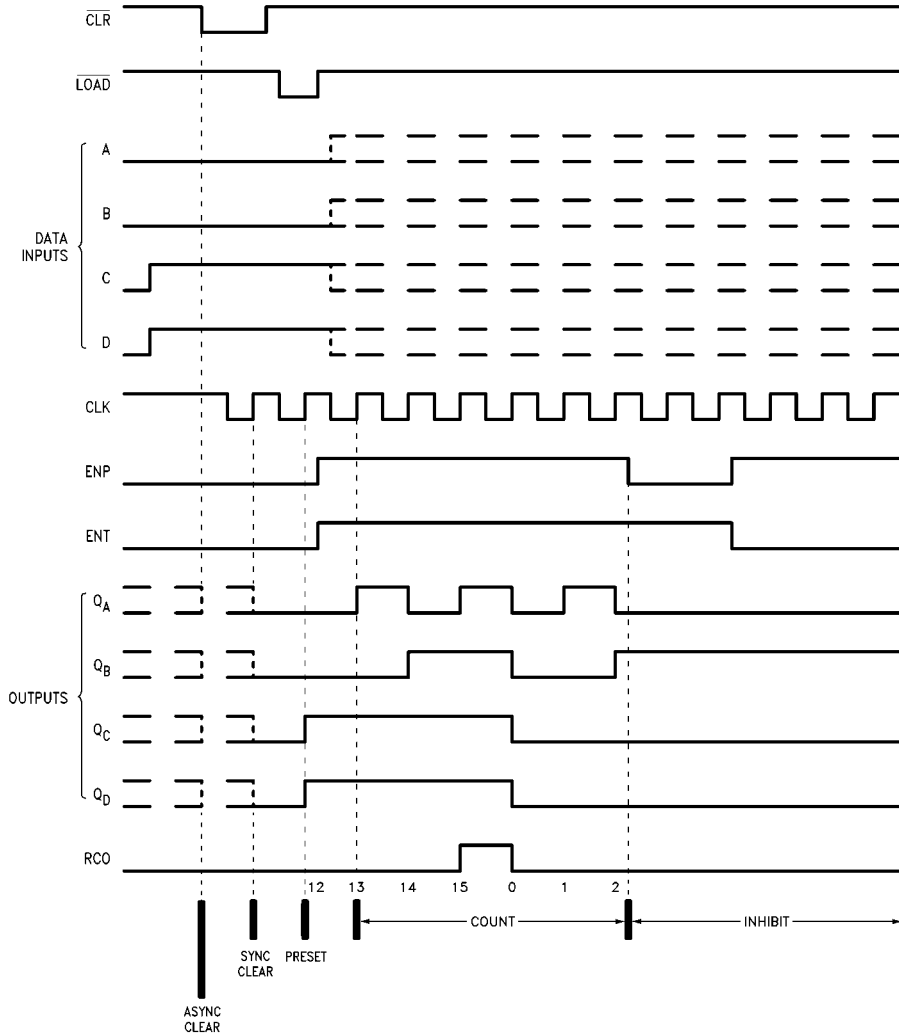
DM74ALS161B • DM74ALS162B • DM74ALS163B

Timing Diagrams



Timing Diagrams (continued)

DM74ALS161B, DM74ALS163B



DM74ALS161B • DM74ALS162B • DM74ALS163B

Absolute Maximum Ratings (Note 1)

Supply Voltage	7V
Input Voltage	7V
Operating Free Air Temperature Range	0°C to +70°C
Storage Temperature Range	-65°C to +150°C
Typical θ_{JA}	
N Package	78.1°C/W
M Package	106.8°C/W

Note 1: The "Absolute Maximum Ratings" are those values beyond which the safety of the device cannot be guaranteed. The device should not be operated at these limits. The parametric values defined in the Electrical Characteristics tables are not guaranteed at the absolute maximum ratings. The "Recommended Operating Conditions" table will define the conditions for actual device operation.

Recommended Operating Conditions

Symbol	Parameter		Min	Nom	Max	Units
V _{CC}	Supply Voltage		4.5	5	5.5	V
V _{IH}	HIGH Level Input Voltage		2			V
V _{IL}	LOW Level Input Voltage				0.8	V
I _{OH}	HIGH Level Output Current				-0.4	mA
I _{OL}	LOW Level Output Current				8	mA
f _{CLK}	Clock Frequency		0		40	MHz
t _{SETUP}	Setup Time	Data; A, B, C, D	15 [↑] (Note 2)			ns
		En P, En T	DM74ALS161B	15 [↑] (Note 2)		ns
			DM74ALS162B	15 [↑] (Note 2)		ns
			DM74ALS163B			ns
		Load	15 [↑] (Note 2)		ns	
	Clear (Only for DM74ALS162B and DM74ALS163B)	LOW	15 [↑] (Note 2)		ns	
HIGH		12 [↑] (Note 2)		ns		
	Setup 1 (Only for 161B)	Clear Inactive	10	4		ns
t _{HOLD}	Hold Time	Data; A, B, C, D	0 [↑] (Note 2)	-3		ns
		En P, En T	0 [↑] (Note 2)	-3		ns
		Load	0 [↑] (Note 2)	-4		ns
		Clear (Only for DM74ALS162B and DM74ALS163B)	0 [↑] (Note 2)	-7		ns
		Hold 0 (Only for 161B)	Clear	0	-4	
t _W	Width of Clock or Clear Pulse	CLK HIGH or LOW	12.5			ns
		DM74ALS161B CLR LOW	15			ns
	Width of Load Pulse		15			ns
T _A	Operating Free Air Temperature		0		70	°C

Note 2: The symbol (↑) indicates that the rising edge of the clock is used as a reference.

Electrical Characteristics

over recommended operating free air temperature range. All typical values are measured at $V_{CC} = 5V$, $T_A = 25^\circ C$.

Symbol	Parameter	Conditions	Min	Typ	Max	Units
V_{IK}	Input Clamp Voltage	$V_{CC} = 4.5V$, $I_I = -18\text{ mA}$			-1.5	V
V_{OH}	HIGH Level Output Voltage	$I_{OH} = -0.4\text{ mA}$ $V_{CC} = 4.5V\text{ to }5.5V$	$V_{CC} - 2$			V
V_{OL}	LOW Level Output Voltage	$V_{CC} = 4.5V$		0.25	0.4	V
I_I	Input Current at Max Input Voltage	$V_{CC} = 5.5V$, $V_{IH} = 7V$			0.1	mA
I_{IH}	HIGH Level Input Current	$V_{CC} = 5.5V$, $V_{IH} = 2.7V$			20	μA
I_{IL}	LOW Level Input Current	$V_{CC} = 5.5V$, $V_{IL} = 0.4V$			-0.2	mA
I_O	Output Drive Current	$V_{CC} = 5.5V$, $V_O = 2.25V$	-30		-112	mA
I_{CC}	Supply Current	$V_{CC} = 5.5V$		12	21	mA

Switching Characteristics DM74ALS161B

over recommended operating free air temperature range.

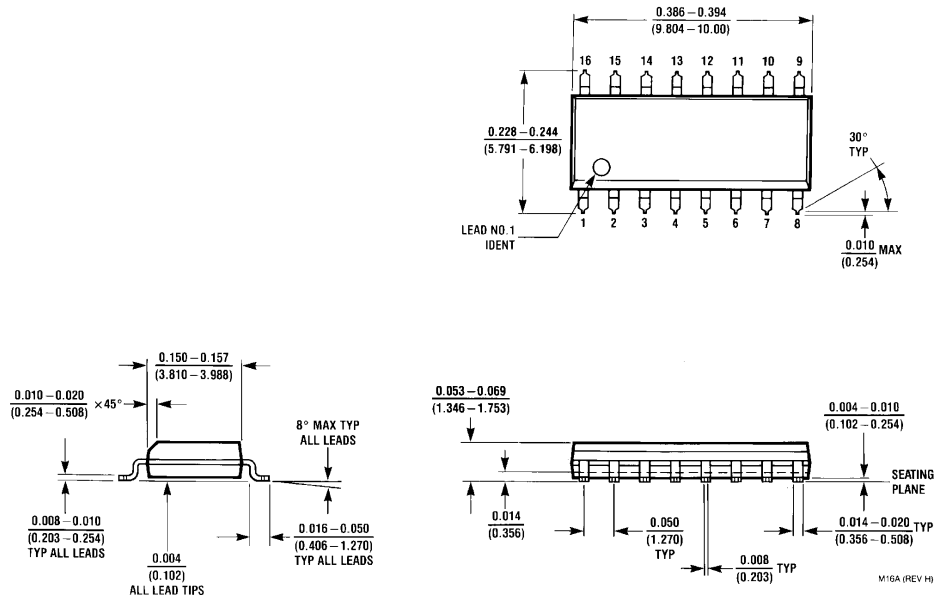
Symbol	Parameter	Conditions	From	To	Min	Max	Units
f_{MAX}	Maximum Clock Frequency	$V_{CC} = 4.5V\text{ to }5.5V$			40		MHz
t_{PLH}	Propagation Delay Time LOW-to-HIGH Level Output	$R_L = 500\Omega$ $C_L = 50\text{ pF}$	Clock	Ripple Carry	5	20	ns
	t_{PHL}		Propagation Delay Time HIGH-to-LOW Level Output	Clock	Ripple Carry	5	20
t_{PLH}	Propagation Delay Time LOW-to-HIGH Level Output		Clock	Any Q	4	15	ns
t_{PHL}	Propagation Delay Time HIGH-to-LOW Level Output		Clock	Any Q	6	20	ns
t_{PLH}	Propagation Delay Time LOW-to-HIGH Level Output		En T	Ripple Carry	3	13	ns
t_{PHL}	Propagation Delay Time HIGH-to-LOW Level Output		En T	Ripple Carry	3	13	ns
t_{PHL}	Propagation Delay Time HIGH-to-LOW Level Output		Clear	Any Q	8	24	ns
			Clear	Ripple Carry	11	23	ns

Switching Characteristics DM74ALS162B, DM74ALS163B

over recommended operating free air temperature range.

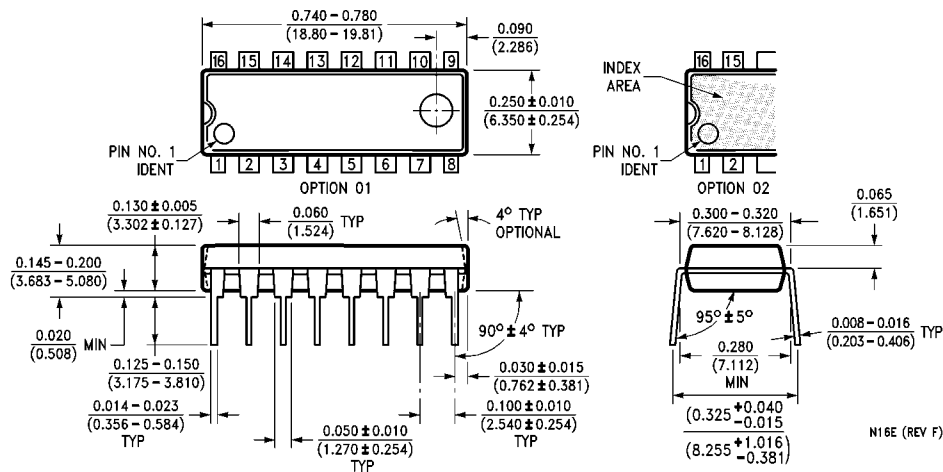
Symbol	Parameter	Conditions	From	To	Min	Max	Units
f_{MAX}	Maximum Clock Frequency	$V_{CC} = 4.5V\text{ to }5.5V$			40		MHz
t_{PLH}	Propagation Delay Time LOW-to-HIGH Level Output	$R_L = 500\Omega$ $C_L = 50\text{ pF}$ $T_A = \text{Min to Max}$	Clock	Ripple Carry	5	20	ns
	t_{PHL}		Propagation Delay Time HIGH-to-LOW Level Output	Clock	Ripple Carry	5	20
t_{PLH}	Propagation Delay Time LOW-to-HIGH Level Output		Clock	Any Q	4	15	ns
t_{PHL}	Propagation Delay Time HIGH-to-LOW Level Output		Clock	Any Q	6	20	ns
t_{PLH}	Propagation Delay Time LOW-to-HIGH Level Output		En T	Ripple Carry	3	13	ns
t_{PHL}	Propagation Delay Time HIGH-to-LOW Level Output		En T	Ripple Carry	3	13	ns

Physical Dimensions inches (millimeters) unless otherwise noted



16-Lead Small Outline Integrated Circuit (SOIC), JEDEC MS-012, 0.150 Narrow Package Number M16A

Physical Dimensions inches (millimeters) unless otherwise noted (Continued)



16-Lead Plastic Dual-In-Line Package (PDIP), JEDEC MS-001, 0.300 Wide Package Number N16E

Fairchild does not assume any responsibility for use of any circuitry described, no circuit patent licenses are implied and Fairchild reserves the right at any time without notice to change said circuitry and specifications.

LIFE SUPPORT POLICY

FAIRCHILD'S PRODUCTS ARE NOT AUTHORIZED FOR USE AS CRITICAL COMPONENTS IN LIFE SUPPORT DEVICES OR SYSTEMS WITHOUT THE EXPRESS WRITTEN APPROVAL OF THE PRESIDENT OF FAIRCHILD SEMICONDUCTOR CORPORATION. As used herein:

1. Life support devices or systems are devices or systems which, (a) are intended for surgical implant into the body, or (b) support or sustain life, and (c) whose failure to perform when properly used in accordance with instructions for use provided in the labeling, can be reasonably expected to result in a significant injury to the user.
2. A critical component in any component of a life support device or system whose failure to perform can be reasonably expected to cause the failure of the life support device or system, or to affect its safety or effectiveness.

www.fairchildsemi.com