

**Infrared Remote-control Receiver Module**MODEL NO : HI402**■ Absolute Maximum Ratings at $T_A = 25^\circ\text{C}$**

Parameter	Symbol	Rating	Unit	Notice
Supply Voltage	V_{CC}	20	V	
Supply Current	I_{CC}	25	mA	
Output Current	I_{OUT}	Continuous 300 Hold 400 Peak(Start up) 700	mA	
Maximum Power Dissipation	P_D	500	mW	
Operating Ambient Temperature	T_A	-20 ~ +85	$^\circ\text{C}$	
Storage Temperature	T_{STG}	-55 ~ +120	$^\circ\text{C}$	
Soldering Temperature	T_{SOL}	260	$^\circ\text{C}$	1/16 inches from body for 5 seconds

■ Electronic Characteristics : $T_A = 25^\circ\text{C}$

Parameter	Symbol	MIN.	TYP.	MAX.	Unit	Condition
Supply Voltage	V_{CC}	4	---	20	V	Operating
Output Saturation Voltage	$V_{CE(SAT)}$	---	250	500	mV	$V_{CC}=14\text{V}$ $I_{OUT}=400\text{mA}$ $B > B_{OP}$
Supply Current	I_{CC}	---	18	25	mA	$V_{CC}=20\text{V}$ Output Open
Output Leakage Current	I_{LEAK}	---	---	10	μA	$V_{CE}=14\text{V}$ $V_{CC}=14\text{V}$
Output Rise Time	t_r	---	3.0	10	μS	$V_{CC}=14\text{V}$, $R_L=820\Omega$, $C_L=20\text{pF}$
Output Fall Time	t_f	---	0.3	1.5	μS	
Switch Time Differential	Δt	---	---	10	μS	

■ Magnetic Specification : $T_A = 25^\circ\text{C}$ Condition: $V_{CC}=20\text{V}$, $B_s = \text{MAX}[\text{ABS}(B_{OP}), \text{ABS}(B_{RP})]$

Unit: Gauss

Bin Number	Bin1	Bin2	Bin3	Bin4
B_s	<70	<100	<140	<200



Infrared Remote-control Receiver Module

MODEL NO : HI402

Typical Characteristics Curves:

Fig. 1 Supply Current V.S. Supply Voltage

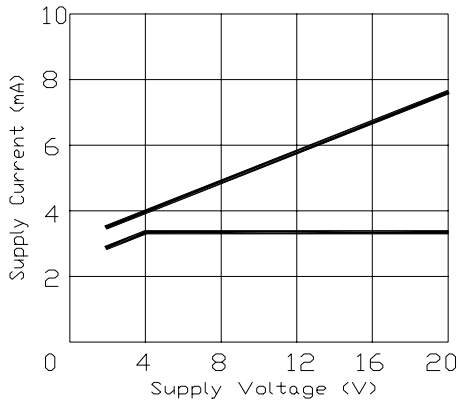


Fig. 2 Output Low Voltage V.S. Supply Voltage

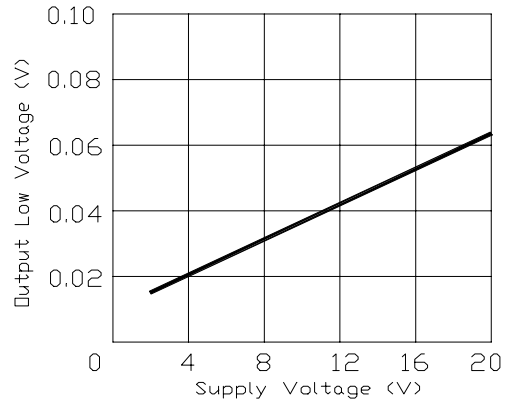


Fig. 3 Switch Points (Bop,Brp) V.S. Supply Voltage

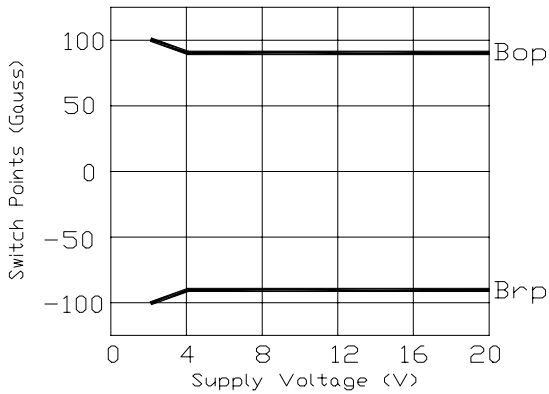


Fig. 4 Switch Points V.S. Ambient Temperature

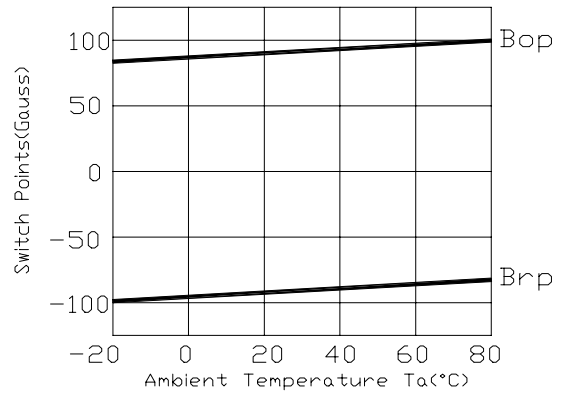


Fig. 5 Supply Current V.S. Ambient Temperature

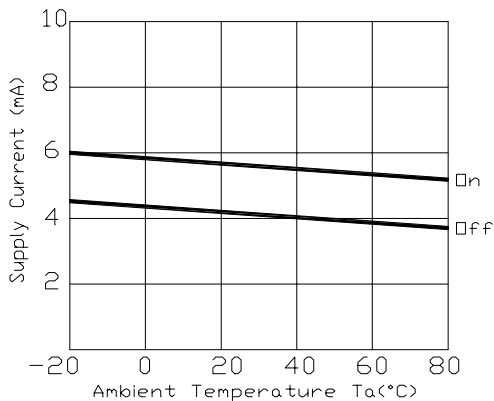
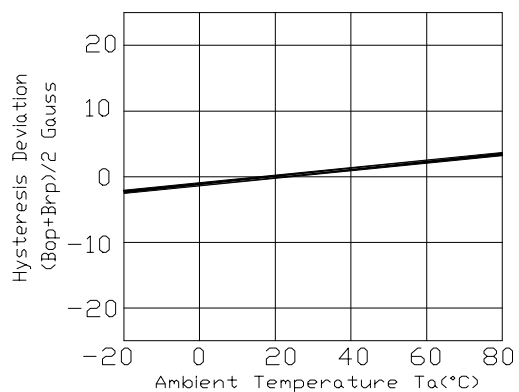


Fig. 6 Hysteresis Deviation V.S. Ambient Temperature





DEVICE NUMBER : DHI-092-007 REV : 1.0
 ECN : _____ PAGE : 7/8

Infrared Remote-control Receiver Module

MODEL NO : HI402

Year of Production:

Symbol	Year
0	2000
1	2001
2	2002
3	2003
4	2004
5	2005
6	2006
7	2007
8	2008
9	2009

Month of Production:

Symbol	Month
1	1
2	2
3	3
:	:
:	:
:	:
9	9
A	10
B	11
C	12

Week of Production:

Week	1	2	3	4	5	6	7	8	9	10	11	12	13	14	15	16	17	18	19	20	21	22
Symbol	A	B	C	D	E	F	G	H	I	J	K	L	M	N	O	P	Q	R	S	T	U	V
Week	23	24	25	26	27	28	29	30	31	32	33	34	35	36	37	38	39	40	41	42	43	44
Symbol	W	X	Y	Z	a	b	c	d	e	f	g	h	i	j	k	l	m	n	o	p	q	r
Week	45	46	47	48	49	50	51	52	53													
Symbol	s	t	u	v	w	x	y	z	1													

Lot NO.:

Symbol	Year
00	The first wafer
01	The second wafer
02	The third wafer
:	:
:	:
97	The 98 th wafer
98	The 99 th wafer
99	The 100 th wafer

Symbol	Month
AA	The 101 th wafer
:	:
AZ	The 126 th wafer

BA	The 127 th wafer
:	:
BZ	The 152 th wafer



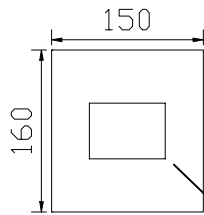
Infrared Remote-control Receiver Module

MODEL NO : HI402

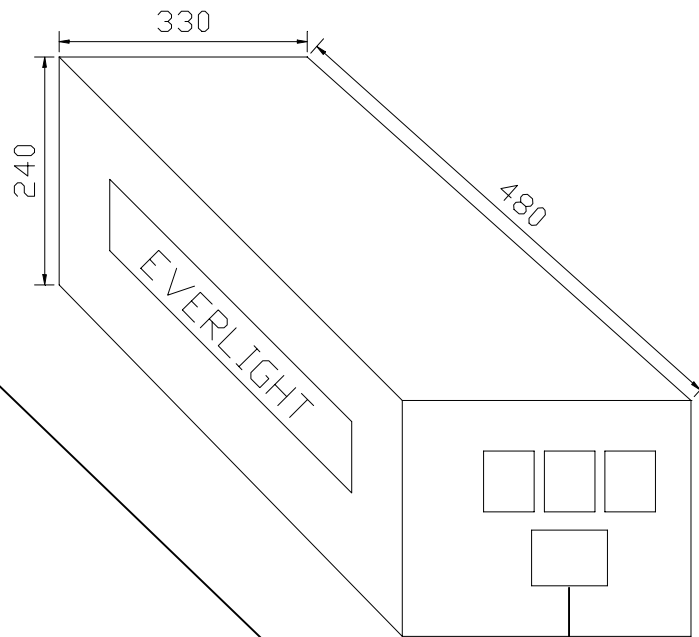
■ Packing Specifications:

(UNIT : mm)

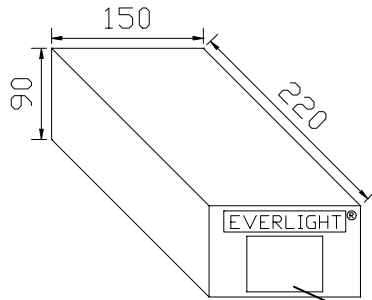
1. Bag:



3. Carton:



2. Box:



■ Packing Quantity Specification:

1. 1000Pcs/1Bag, 10Bags/1Box

2. 10Boxes/1Carton

■ Label Specification:

CPN : Customer's Production Number

P/N : Production Number

QTY : Packing Quantity

CAT : Ranks

HUE : Reference

REF : Reference

LOT NO : Lot Number

MADE IN TAIWAN : Production Place

Label

EVERLIGHT

CPN:

P/N:



HI402

QTY:



CAT:

HUE:

REF:

LOT NO:

MADE IN TAIWAN