

## 1.9mm Round Subminiature "Yoke" Lead (Square Base) LEDs

MODEL NO : 95-21UYOC/S530-A2/TR9

### Features :

- Package in 12mm tape on 7" diameter reels.
- Compatible with automatic placement equipment.
- Compatible with infrared and vapor phase reflow solder process.
- I.C. compatible.
- EIA std package.
- Mono-color type.

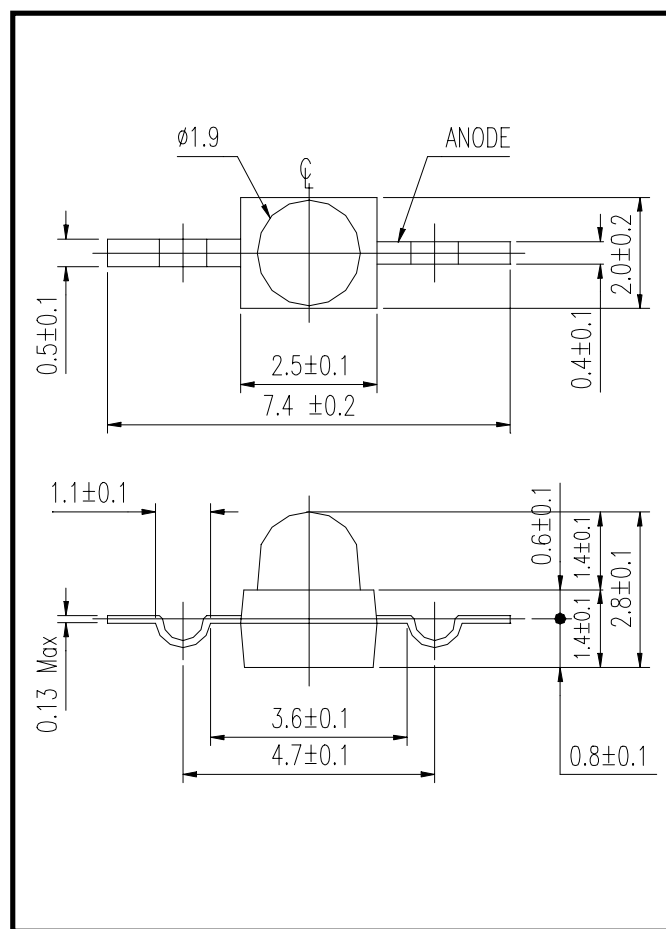
### Description :

- The 91-21 SMD taping is much smaller than leaded compoments. Thusenable smaller board size.Higher packing density. Reduced storage space and finally smaller equipment to be obtained.
- Besides, light weight makes them ideal for miniature application, ect.
- Furthermore by automation assembly machines the accuracy is anticipated.

### Applications :

- Small indicator for outdoor appications.
- Flat backlight for LCD, switch and symbol.
- Indicator and backlight in offic equipment.
- Indicator and backlight for battery driven equipment.
- Indicator and backlight for audio and video equipment.
- Automotive : backlighting in dashboard and switch.
- Telecommunication : indicator and backlighting in telephone and fax.
- General use.

### Package Dimension :



PART NO.	CHIP		Lens Color
	Material	Emitted Color	
95-21UYOC/S530-A2/TR9	AlGaInP	Super Yellow Orange	Water Clear

OFFICE : NO. 25,Lane 76,Sec.3, Chung Yang Rd., Tucheng 236, Taipei, Taiwan, R.O.C.

TEL : 886-2-2267-2000,2267-9936

FAX : 886-2-2267-6244,22676189,22676306

<http://www.everlight.com>



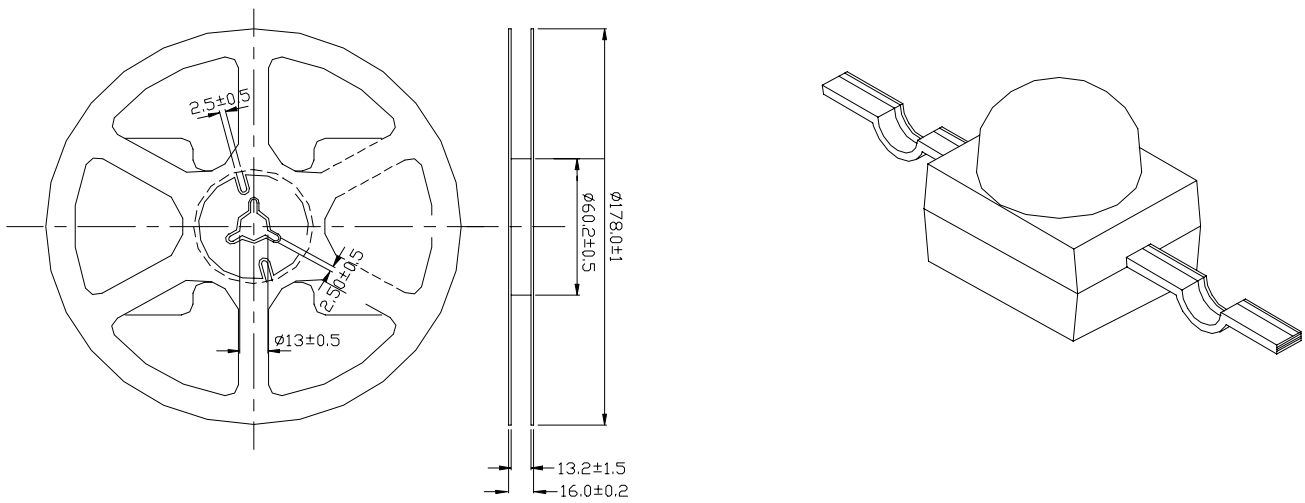
# EVERLIGHT ELECTRONICS CO.,LTD.

DEVICE NUMBER : DLE-952-196 REV : 1.0  
ECN : \_\_\_\_\_ PAGE : 2/5

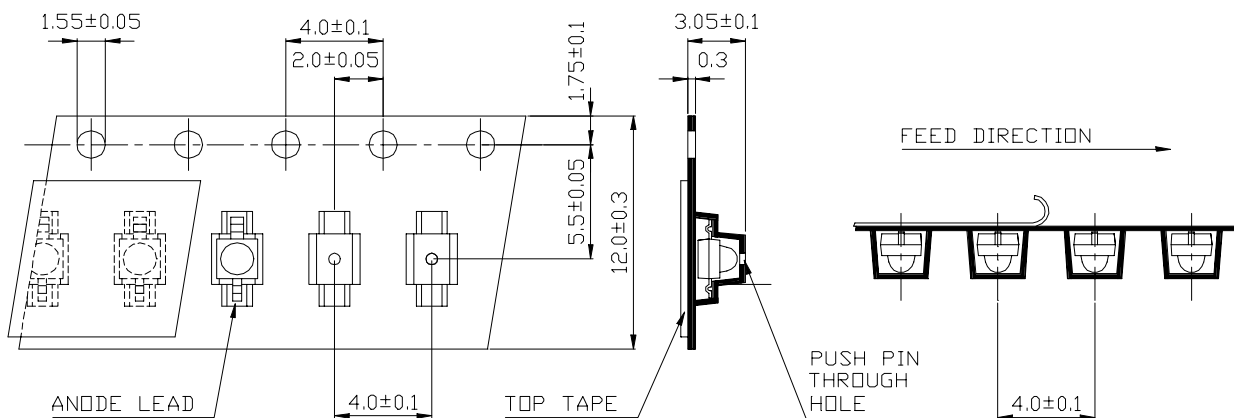
## 1.9mm Round Subminiature "Yoke" Lead (Square Base) LEDs

MODEL NO : 95-21UYOC/S530-A2/TR9

### ■ Package Dimensions



### ■ Loaded Quantity Per Reel 1000 Pcs/Reel



1. ALL DIMENSIONS ARE IN MILLIMETERS.
2. LEAD SPACING IS MEASURED WHERE THE LEAD EMERGE FROM THE PACKAGE
3. PROTRUDED RESIN UNDER FLANGE 1.5 mm (0.59") MAX.



## 1.9mm Round Subminiature "Yoke" Lead (Square Base) LEDs

MODEL NO : 95-21UYOC/S530-A2/TR9

## ■ Absolute Maximum Ratings at Ta = 25°C

Parameter	Symbol	Rating	Unit
Reverse Voltage	V <sub>r</sub>	5	V
Forward Current	I <sub>f</sub>	25	mA
Operating Temperature	T <sub>opr</sub>	-40 ~ +85	°C
Storage Temperature	T <sub>stg</sub>	-40 ~ +100	°C
Soldering Temperature	T <sub>sol</sub>	260 ± 5 for 5 sec	°C
Electrostatic Discharge	ESD	2000	V
Power Dissipation	P <sub>d</sub>	60	mW
Peak Forward Current(Duty 1/10 @ 1KHZ)	I <sub>f</sub> (Peak)	160	mA

## ■ Electronic Optical Characteristics :

Parameter	Symbol	MIN.	TYP.	MAX.	Unit	Condition
Luminous intensity	I <sub>v</sub>	----	30	----	mcd	I <sub>f</sub> = 2mA
Luminous intensity	I <sub>v</sub>	198	496	----	mcd	I <sub>f</sub> = 20mA
Viewing Angle	2θ 1/2	----	25	----	deg	
Peak Wavelength	λ <sub>p</sub>	----	611	----	nm	
Dominant Wavelength	λ <sub>d</sub>	----	605	----	nm	
Spectrum Radiation Bandwidth	Δλ	----	17	----	nm	
Forward Voltage	V <sub>f</sub>	----	2.0	2.4	V	
Reverse Current	I <sub>r</sub>	----	----	10	μA	V <sub>r</sub> =5V



# EVERLIGHT ELECTRONICS CO.,LTD.

DEVICE NUMBER : DLE-952-196 REV : 1.0

ECN : \_\_\_\_\_ PAGE : 4/5

## 1.9mm Round Subminiature "Yoke" Lead (Square Base) LEDs

MODEL NO : 95-21UYOC/S530-A2/TR9

### ■ Reliability Test Item And Condition

NO.	Item	Test Conditions	Test Hours/ Cycle	Sample Size	Ac/Re
1	Solder Heat	TEMP : 260°C ± 5 °C	5 sec	76 pcs	0/1
2	Temperature Cycle	H : +85°C 30 min ↑ 5 min ↓ L : -55°C 30 min	50 cycle	76 pcs	0/1
3	Thermal Shock	H : +100°C 5 min ↑ 10 sec ↓ L : -10°C 30 min	50 cycle	76 pcs	0/1
4	High Temperature Storage	TEMP. : +100°C	1000 hrs	76 pcs	0/1
5	Low Temperature Storage	TEMP. : -55°C	1000 hrs	76 pcs	0/1
6	DC Operating Life	If = 20 mA	1000 hrs	76 pcs	0/1
7	High Temperature / High Humidity	85°C / 85% R.H.	1000 hrs	76 pcs	0/1

1.9mm Round Subminiature "Yoke" Lead (Square Base) LEDs

MODEL NO : 95-21UYOC/S530-A2/TR9

■ Typical Electro-Optical Characteristic Curves

