

Description

The S03E1870N1 is a low profile 3 dB hybrid coupler in an easy to use miniature surface mount package for PCS and DCS applications. The S03E1870N1 is ideal for balanced amplifiers and signal distribution and is an ideal solution for the ever increasing demands of the wireless industry for smaller printed circuit boards. Parts have been run through rigorous qualifications and units are 100% tested. They are manufactured using materials with X and Y thermal expansion coefficients compatible with common substrates.

Features

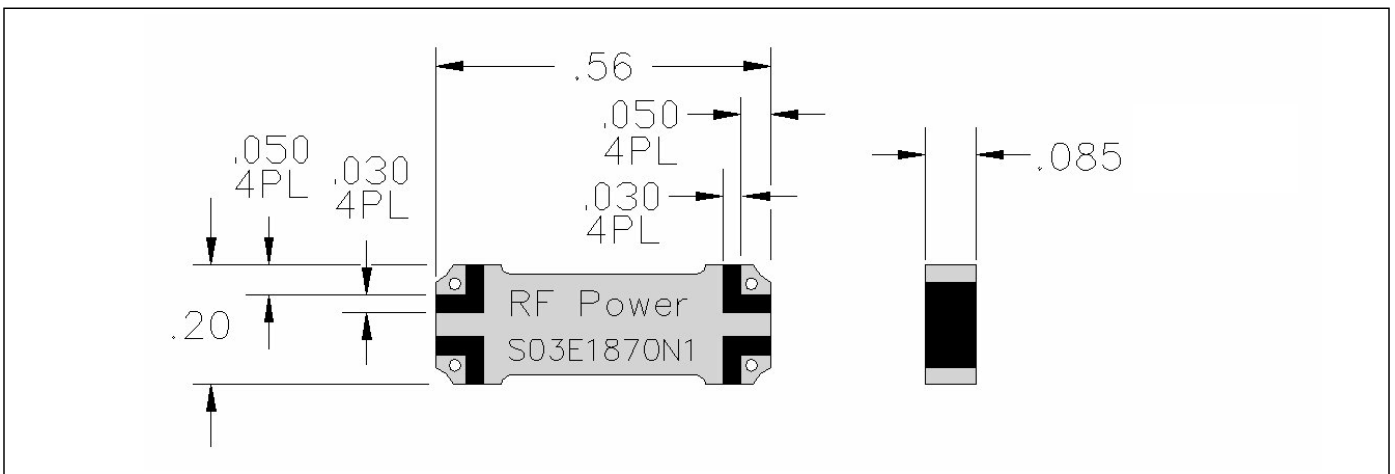
- 1.75 - 1.99 GHz
- 100 Watts
- Low Loss
- High Isolation
- 90° Quadrature
- Surface Mountable
- Tape and Reel
- Convenient Package
- 100% Tested

Electrical Specifications

| Frequency GHz | Isolation dB Min | Insert. Loss dB Max | VSWR Max: 1 |
|---------------------|---------------------------|------------------------|------------------------|
| 1.75 - 1.99 | 20 | 0.20 | 1.17 |
| Amp. Bal. dB Max | Phase Bal. Degrees Max | Temp. °C | Power Avg. CW Watts |
| ±0.20 | 4 | -55 to +85 | 100 |

Specifications subject to change without notice.

Outline Drawing



VER. 2/7/02



Available on Tape and Reel for Pick and Place Manufacturing.

Sales Desk USA: Voice: (800) 544-2414 Fax: (315) 432-9121
 Sales Desk Europe: Voice: (+44) 23 92 232392 Fax: (+44) 23 92 251369

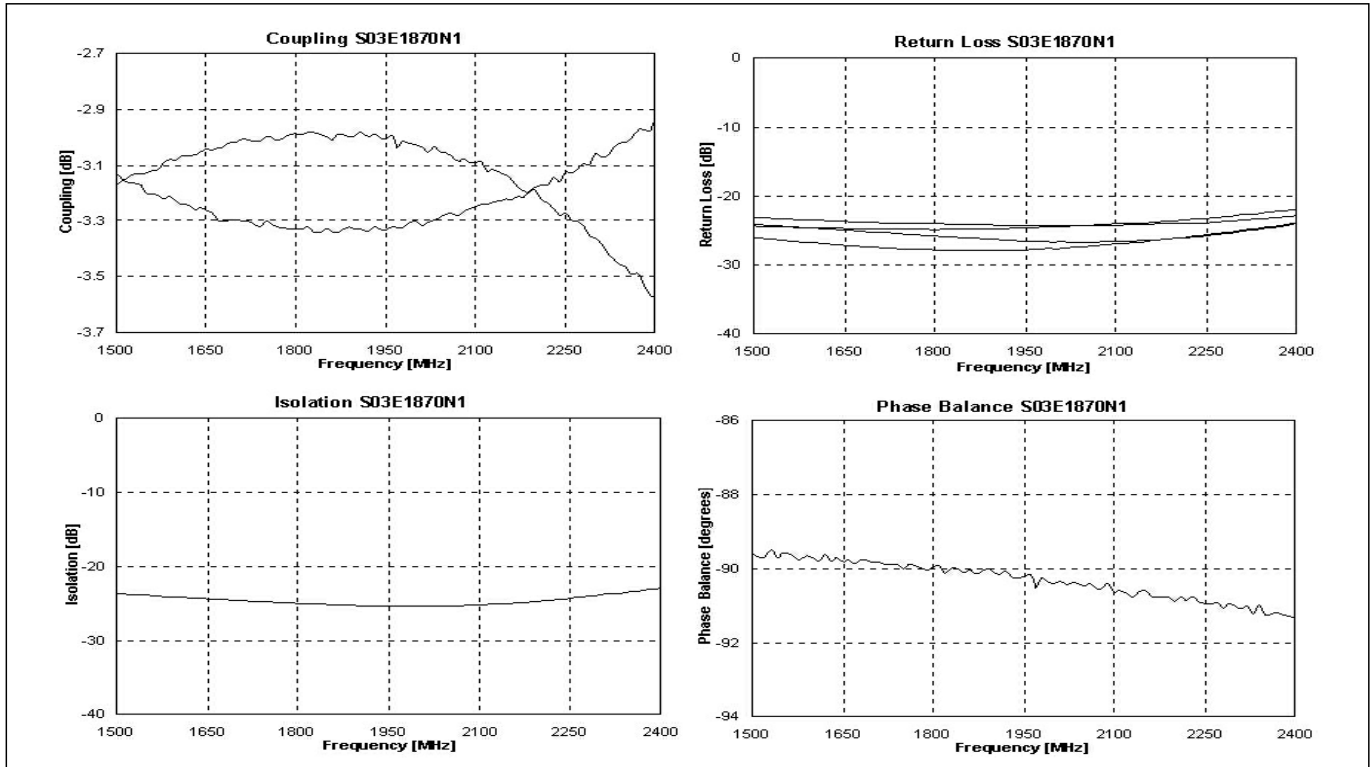
Model S03E1870N1



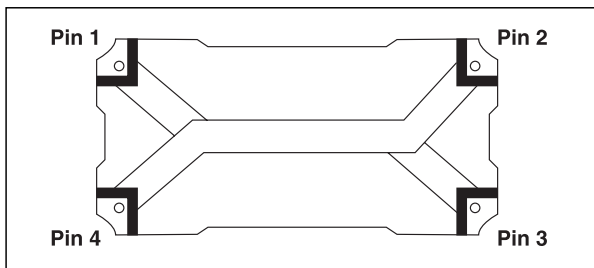
www.anaren.com

RF Power

Typical Performance

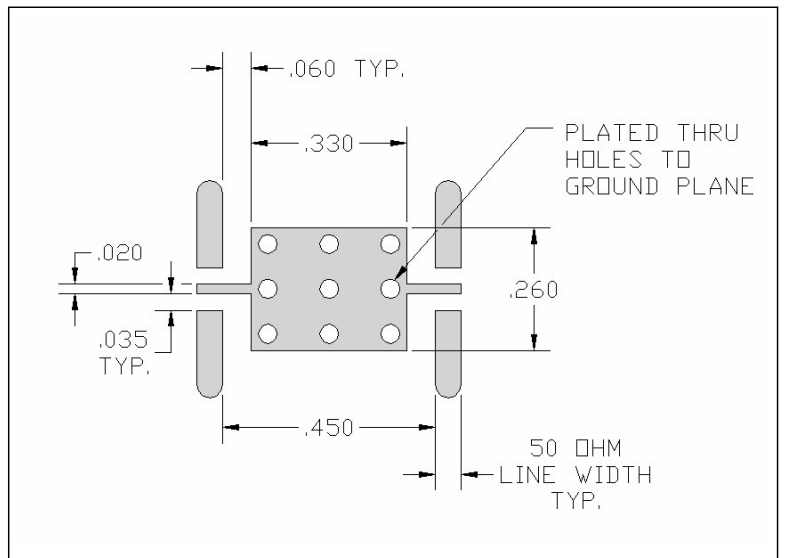


Pin Configuration



| | Pin 1 | Pin 2 | Pin 3 | Pin 4 |
|----|------------|------------|------------|------------|
| #1 | Input | Isolated | -3dB, -90° | -3dB, 0° |
| #2 | Isolated | Input | -3dB, 0° | -3dB, -90° |
| #3 | -3dB, -90° | -3dB, 0° | Input | Isolated |
| #4 | -3dB, 0° | -3dB, -90° | Isolated | Input |

Mounting Footprint



Available on Tape and Reel for Pick and Place Manufacturing.



Sales Desk USA: Voice: (800) 544-2414 Fax: (315) 432-9121
 Sales Desk Europe: Voice: (+44) 23 92 232392 Fax: (+44) 23 92 251369